

US00D836365S

(12) **United States Design Patent** (10) **Patent No.:** **US D836,365 S**
Chong et al. (45) **Date of Patent:** **** Dec. 25, 2018**

(54) **STAND FOR TV RECEIVER**
(71) Applicant: **LG ELECTRONICS INC.**, Seoul (KR)
(72) Inventors: **Yuonui Chong**, Seoul (KR); **Sangho Lee**, Seoul (KR); **Hwayun Choi**, Seoul (KR); **Seonkyu Kim**, Seoul (KR)
(73) Assignee: **LG ELECTRONICS INC.**, Seoul (KR)

D191,452 S * 10/1961 Abrahamson et al. D6/652
D223,372 S * 4/1972 Allen D6/652
D244,114 S * 4/1977 Neff D6/691.8
D277,152 S * 1/1985 Hannah D6/652
D296,052 S * 6/1988 Barber D6/652
D296,165 S * 6/1988 Ferguson D6/652
D448,585 S * 10/2001 Petri D6/652
D558,489 S * 1/2008 Christensen D6/691.5
D562,811 S * 2/2008 Asanuma D14/239
D743,188 S * 11/2015 Denby D6/643

* cited by examiner

(**) Term: **15 Years**

Primary Examiner — Mary Ann Calabrese
Assistant Examiner — Jennifer L Rempfer

(21) Appl. No.: **35/503,366**

(74) *Attorney, Agent, or Firm* — Birch, Stewart, Kolasch & Birch, LLP

(22) Filed: **Jan. 13, 2017**

(80) **Hague Agreement Data**

Int. Filing Date: **Jan. 13, 2017**
Int. Reg. No.: **DM/094411**
Int. Reg. Date: **Jan. 13, 2017**
Int. Reg. Pub. Date: **Jul. 14, 2017**

(57) **CLAIM**

The ornamental design for a stand for TV receiver, as shown and described.

(30) **Foreign Application Priority Data**

Jul. 18, 2016 (KR) 30-2016-0035003

(51) **LOC (11) Cl.** **06-04**
(52) **U.S. Cl.**
USPC **D6/657**

(58) **Field of Classification Search**
USPC D6/643, 654, 654.1, 652, 653.11, 653.2, D6/653.21, 657; D14/125, 239
CPC A47B 21/00; A47B 17/00; A47B 17/003; A47B 17/006; A47B 17/036; A47B 83/001; A47B 2037/005
See application file for complete search history.

DESCRIPTION

- 1. Stand for TV receiver
- 1.1 : Perspective
- 1.2 : Front
- 1.3 : Back
- 1.4 : Left
- 1.5 : Right
- 1.6 : Top
- 1.7 : Bottom
- 1.8 : Reference

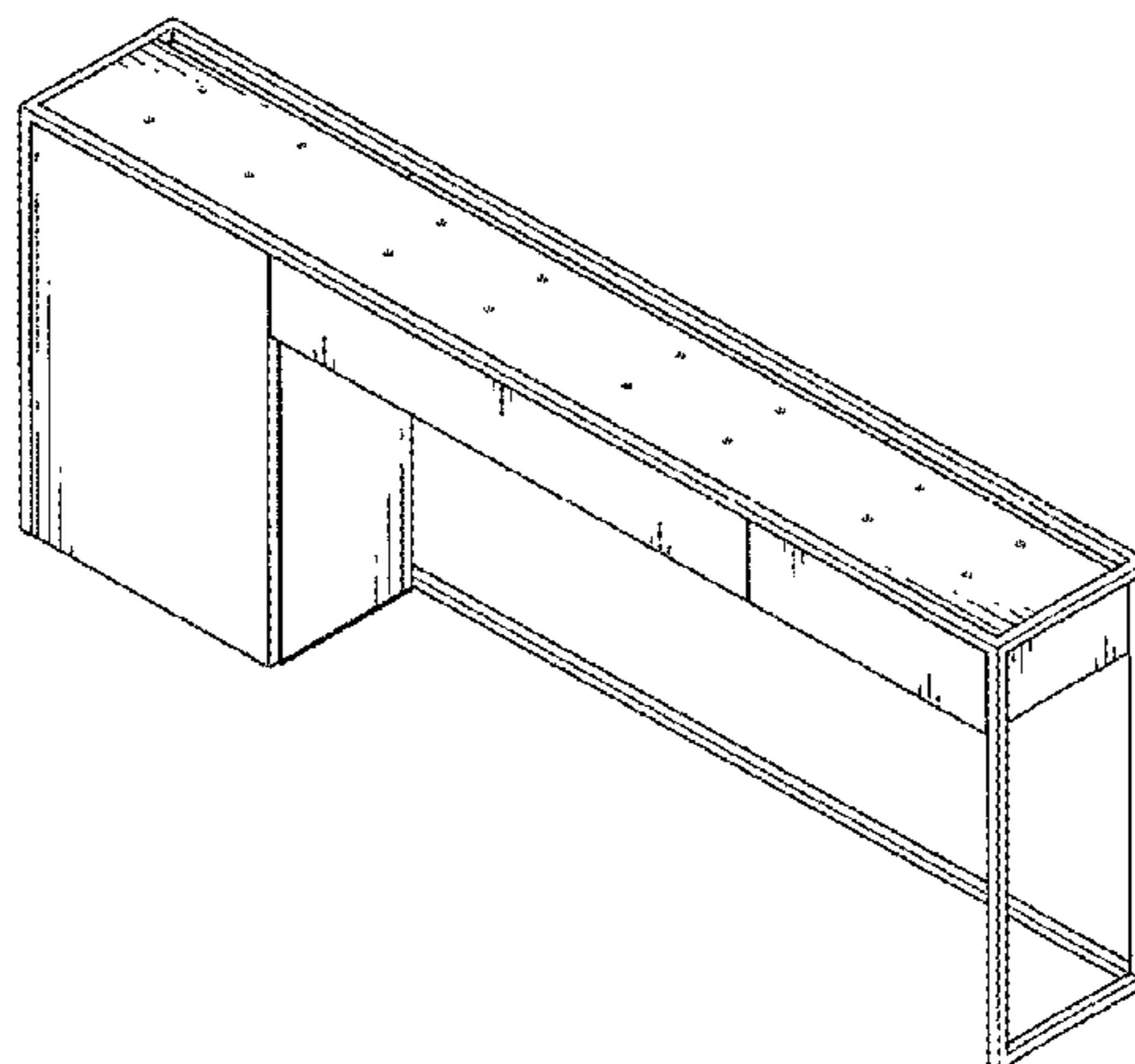
The broken line showing in figure 1.3 is for the purpose of illustrating portions of the stand for TV receiver and forms no part of the claimed design. The broken line showing in figure. 1.8 is for the purpose of illustrating environmental structure and forms no part of the claimed design.

(56) **References Cited**

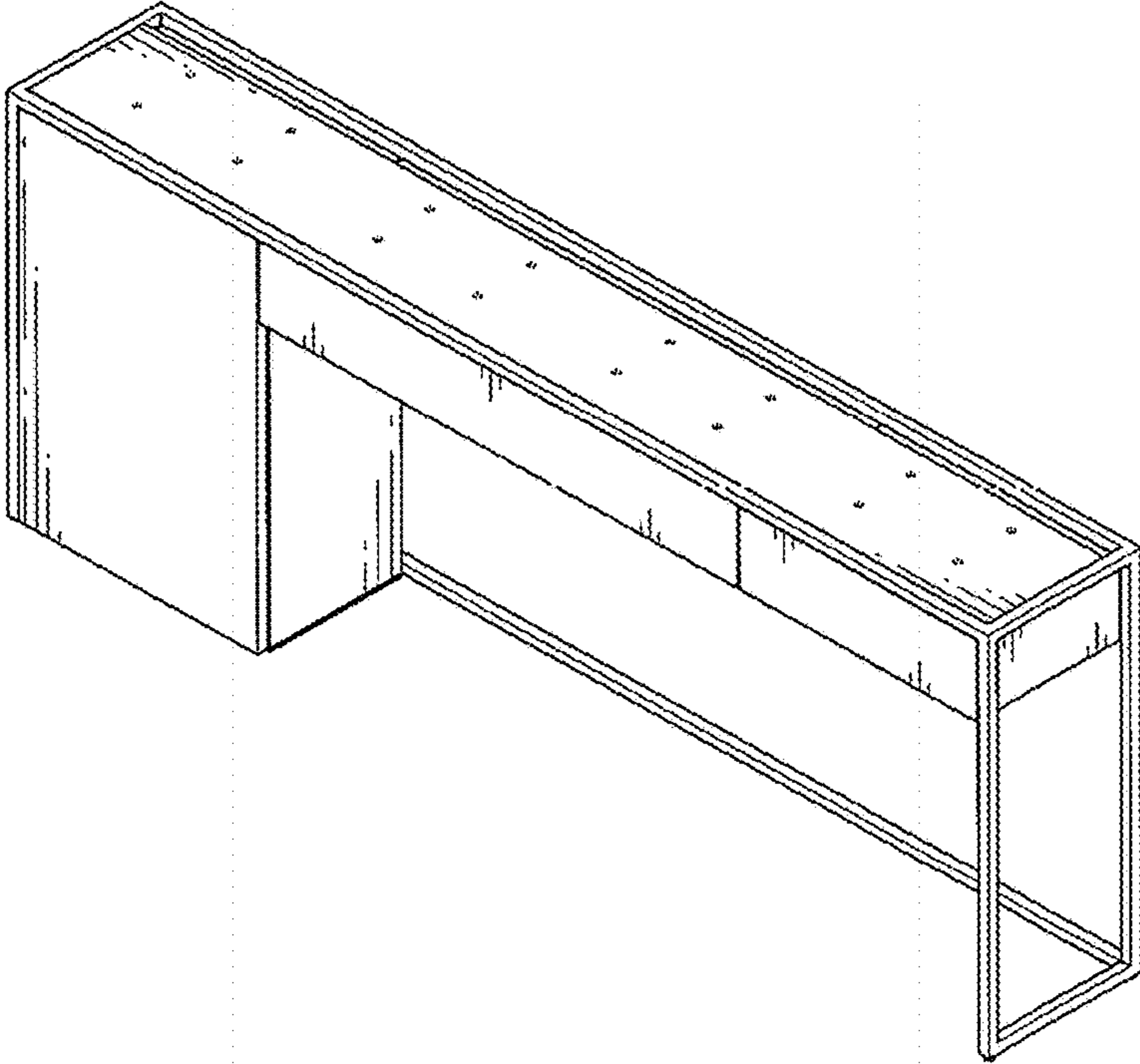
U.S. PATENT DOCUMENTS

D168,027 S * 10/1952 Garret D6/652
D172,685 S * 7/1954 Rasmussen D14/239

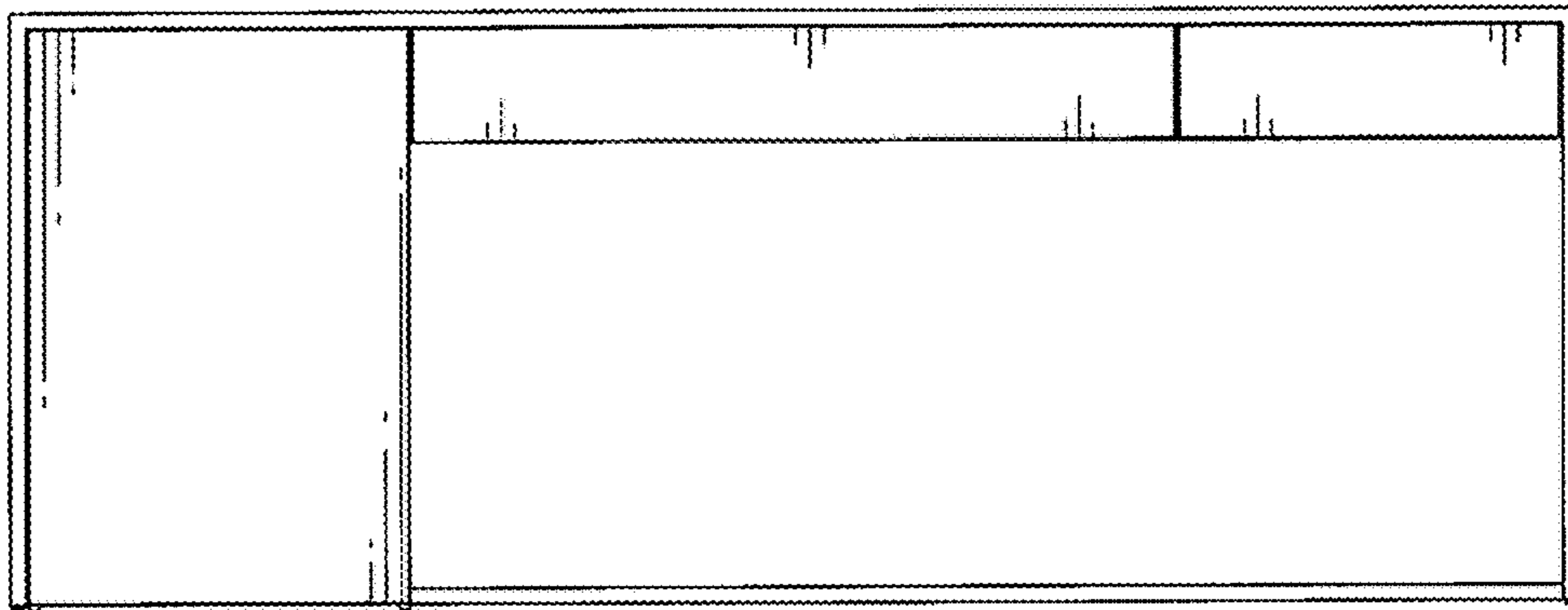
1 Claim, 5 Drawing Sheets



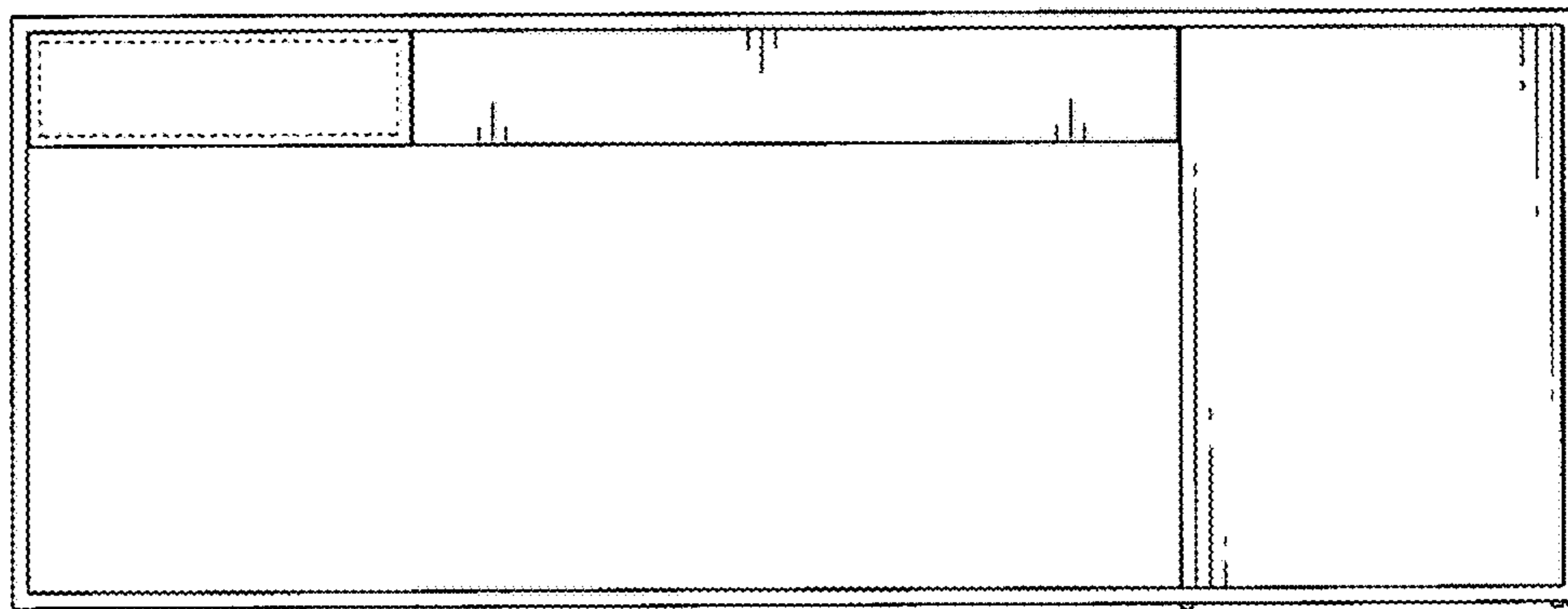
1.1



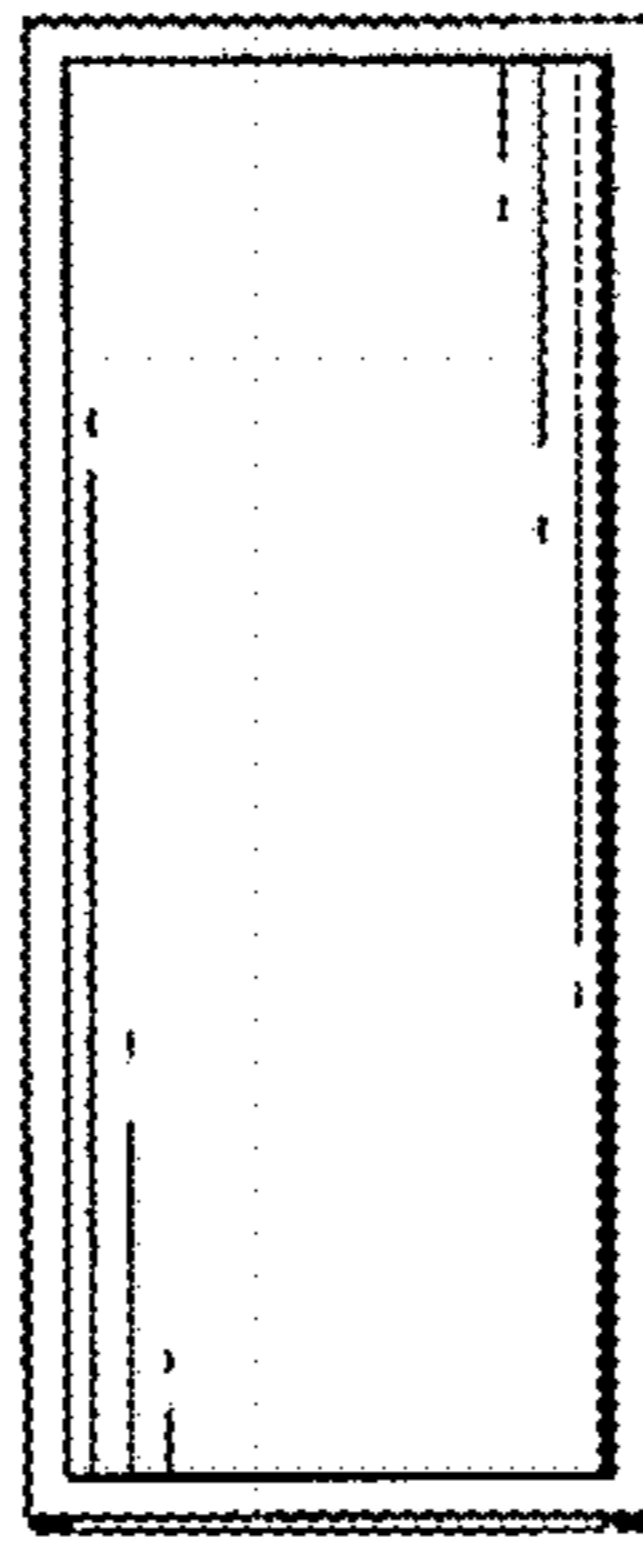
1.2



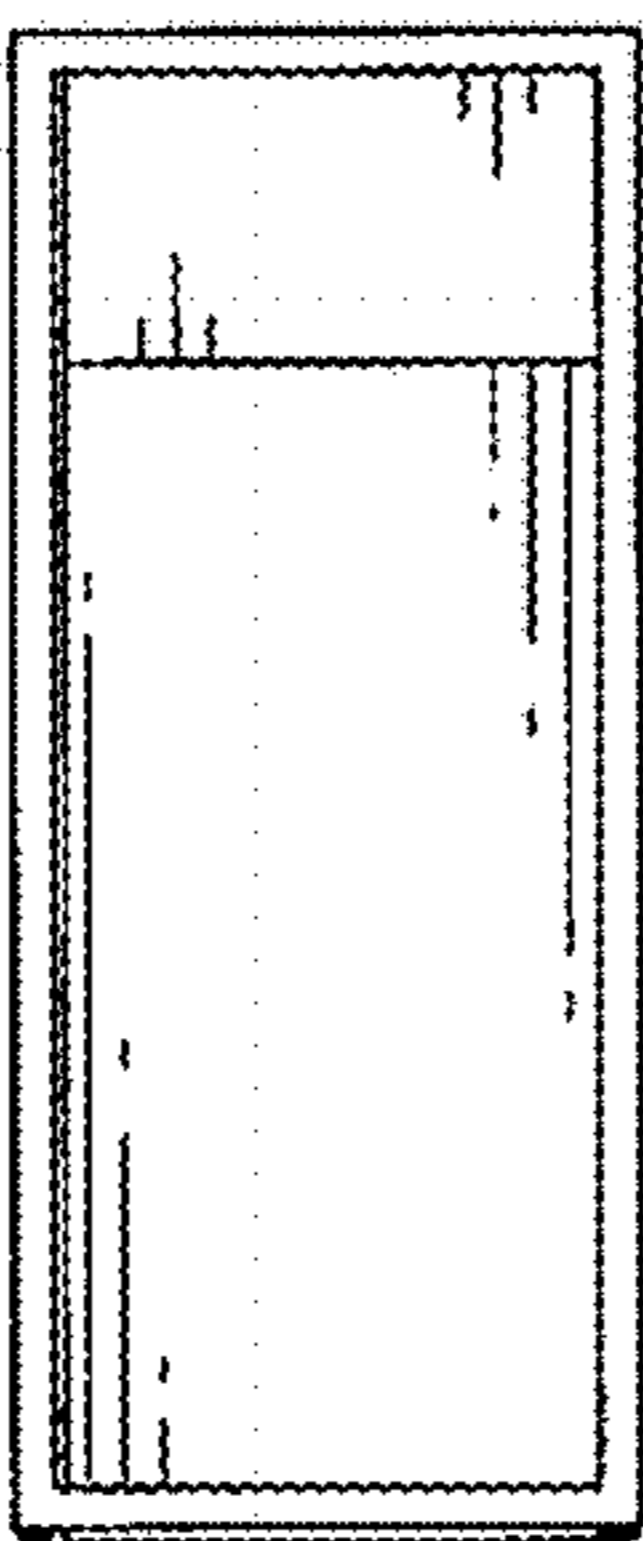
1.3



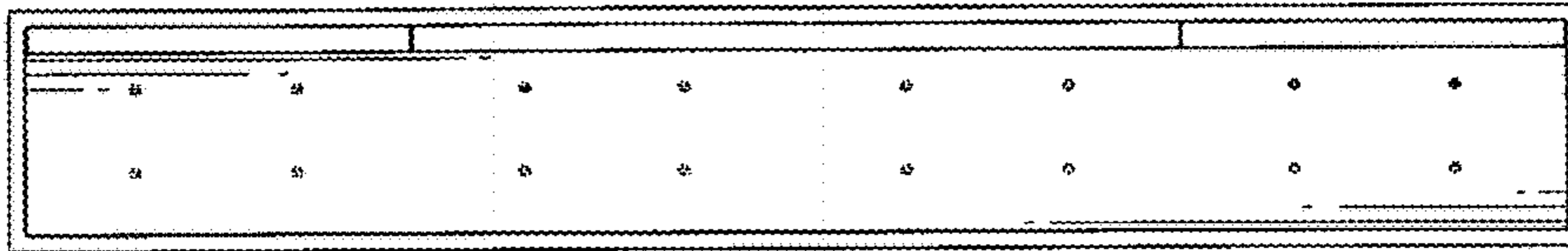
1.4



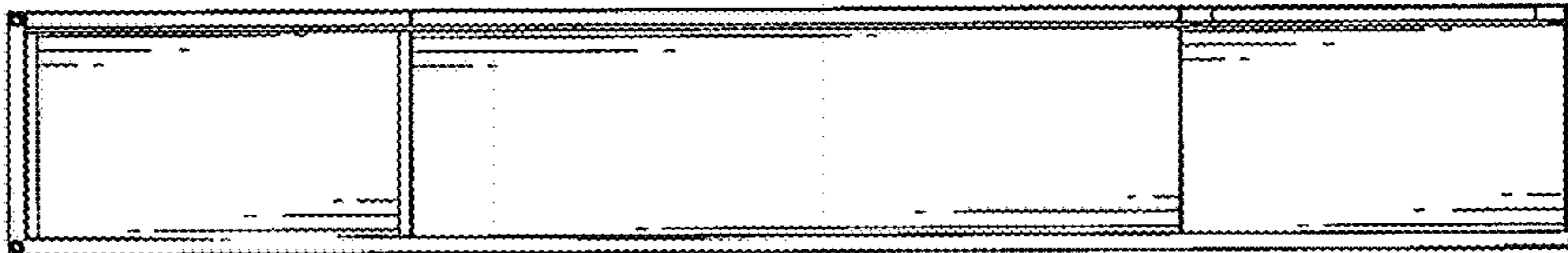
1.5



1.6



1.7



1.8

