

US00D836359S

(12) **United States Design Patent** (10) **Patent No.:** **US D836,359 S**
Rochow (45) **Date of Patent:** **** Dec. 25, 2018**

(54) **BENCH**

(56) **References Cited**

(71) Applicant: **Dennis William Rochow**, Geelong
West Vic (AU)

(72) Inventor: **Dennis William Rochow**, Geelong
West Vic (AU)

(**) Term: **15 Years**

(21) Appl. No.: **29/630,294**

(22) Filed: **Dec. 20, 2017**

(30) **Foreign Application Priority Data**

Jul. 10, 2017 (AU) 201714155

(51) **LOC (11) Cl.** **06-01**

(52) **U.S. Cl.**
USPC **D6/374; D6/371; D6/380**

(58) **Field of Classification Search**
USPC D6/334-336, 371, 372, 373, 374, 379,
D6/380, 381, 716, 716.1, 716.4, 717
CPC .. A47C 11/00; A47C 4/02; A47C 4/03; A47C
4/021; A47C 4/025; A47C 4/027; A47C
4/028

See application file for complete search history.

U.S. PATENT DOCUMENTS

D247,596 S *	3/1978	Hashimoto	D6/374
D251,641 S *	4/1979	Chacon	D6/374
D727,647 S *	4/2015	Sorel	D6/371
D784,716 S *	4/2017	Degara	D6/370
D793,114 S *	8/2017	Degara	D6/373
9,930,965 B2 *	4/2018	Peterson	A47C 4/03

* cited by examiner

Primary Examiner — Mimosa De

(74) *Attorney, Agent, or Firm* — Sand & Sebolt

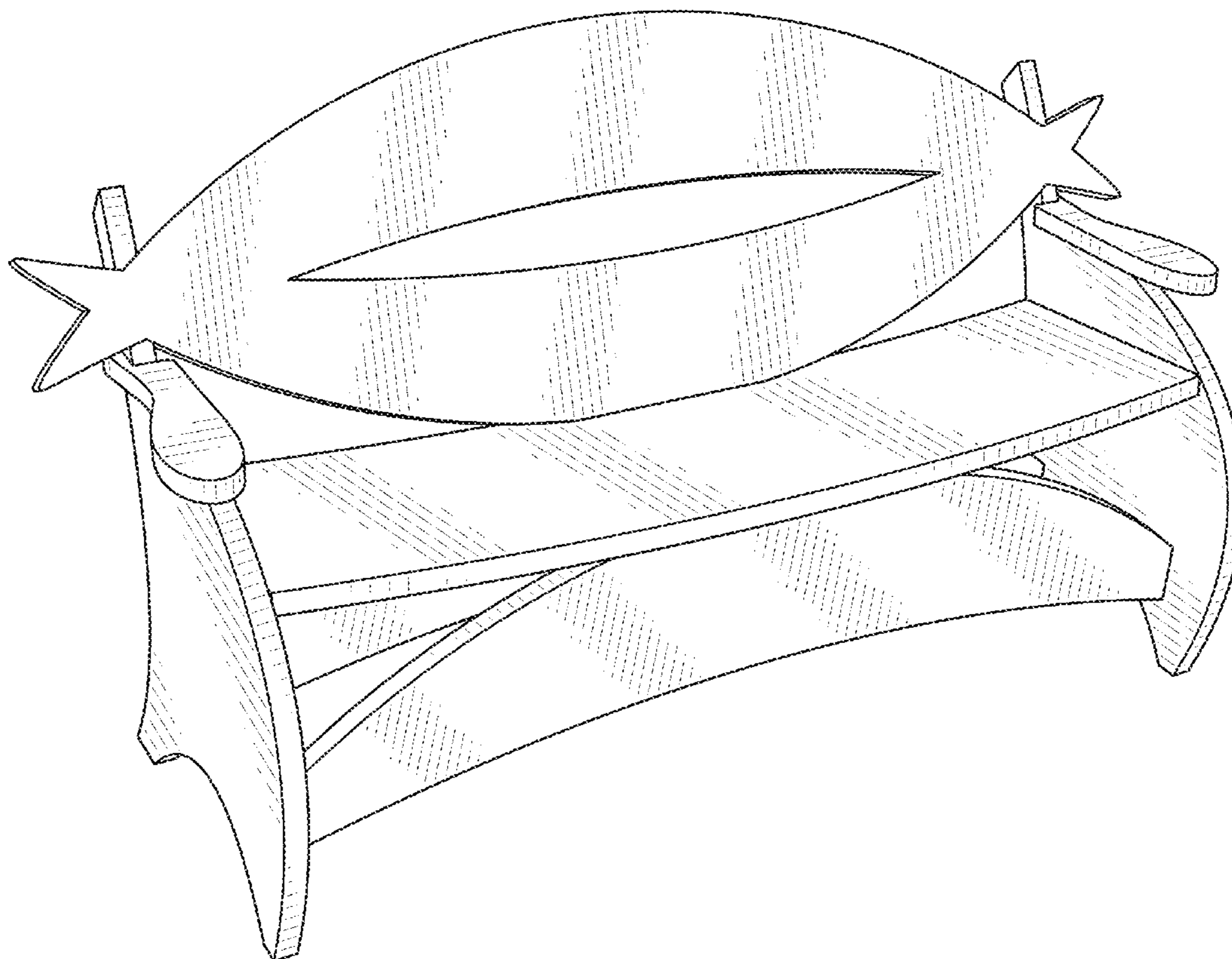
(57) **CLAIM**

The ornamental design for a bench, as shown.

DESCRIPTION

FIG. 1 is a front, left, top perspective view of a bench in accordance with my design;
FIG. 2 is a rear, right, top perspective view thereof.
FIG. 3 is a front elevation view thereof;
FIG. 4 is a rear elevation view thereof;
FIG. 5 is a top plan view thereof;
FIG. 6 is a bottom plan view thereof;
FIG. 7 is a left side elevation view thereof; and,
FIG. 8 is a right side elevation view thereof.

1 Claim, 7 Drawing Sheets



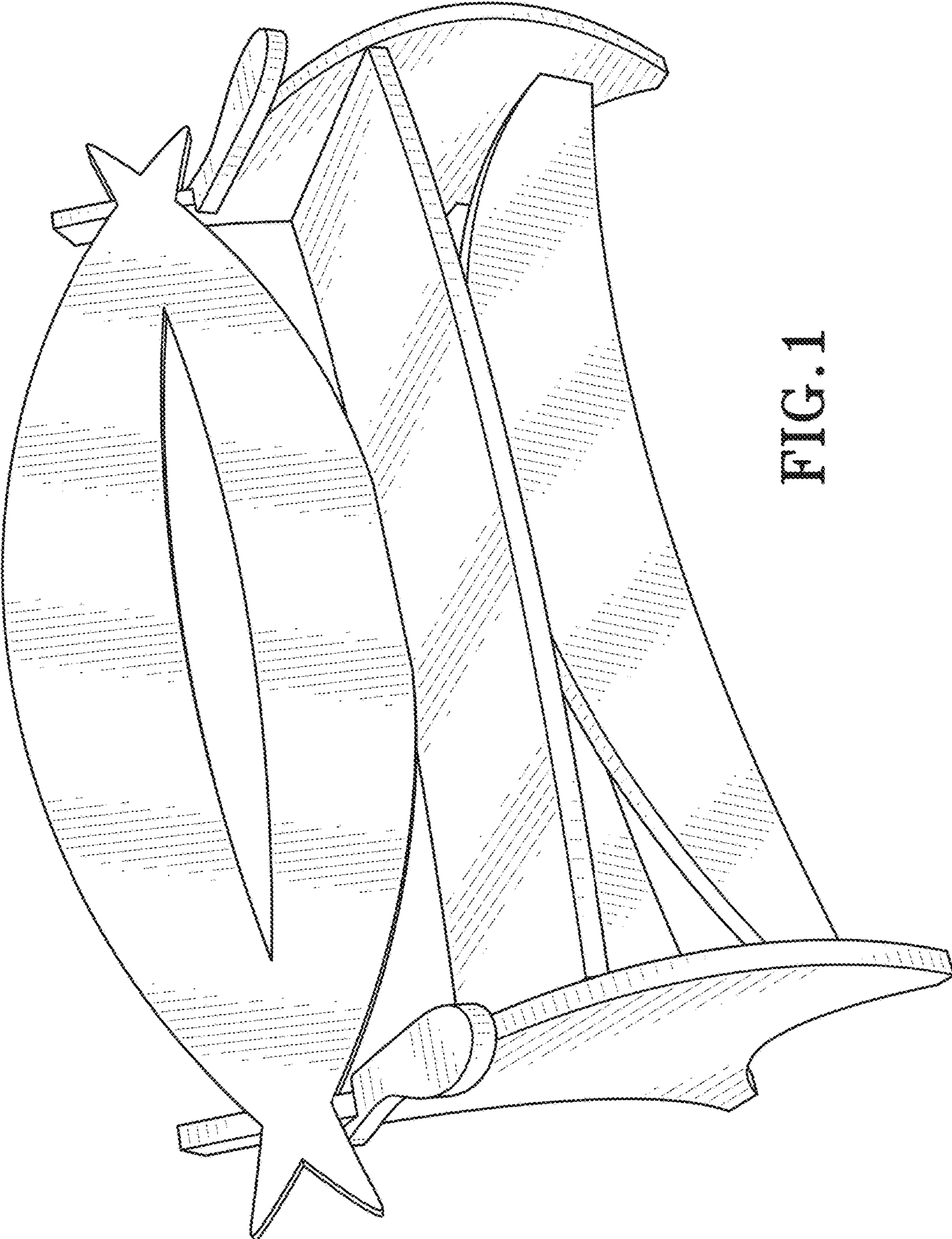


FIG. 1

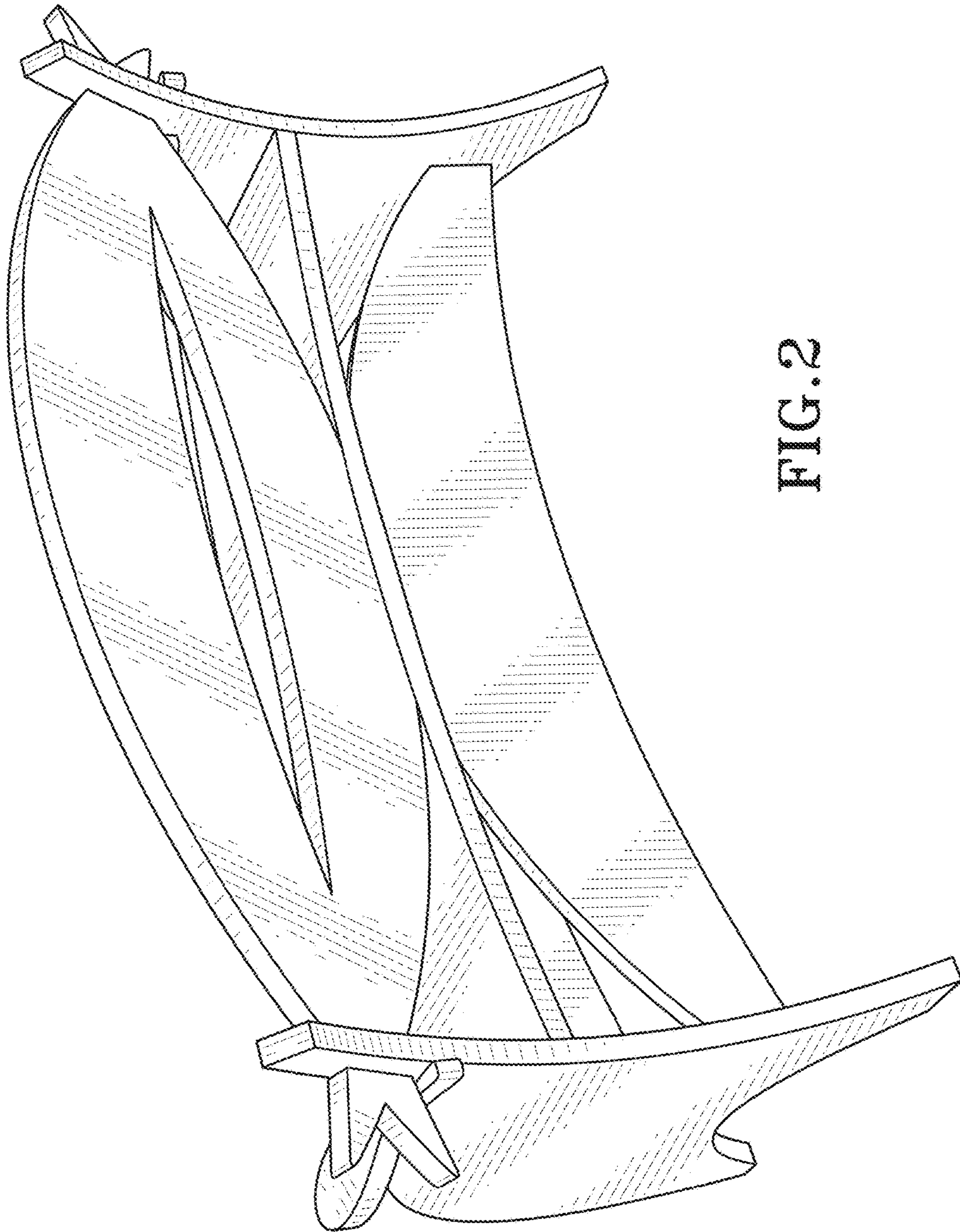


FIG. 2

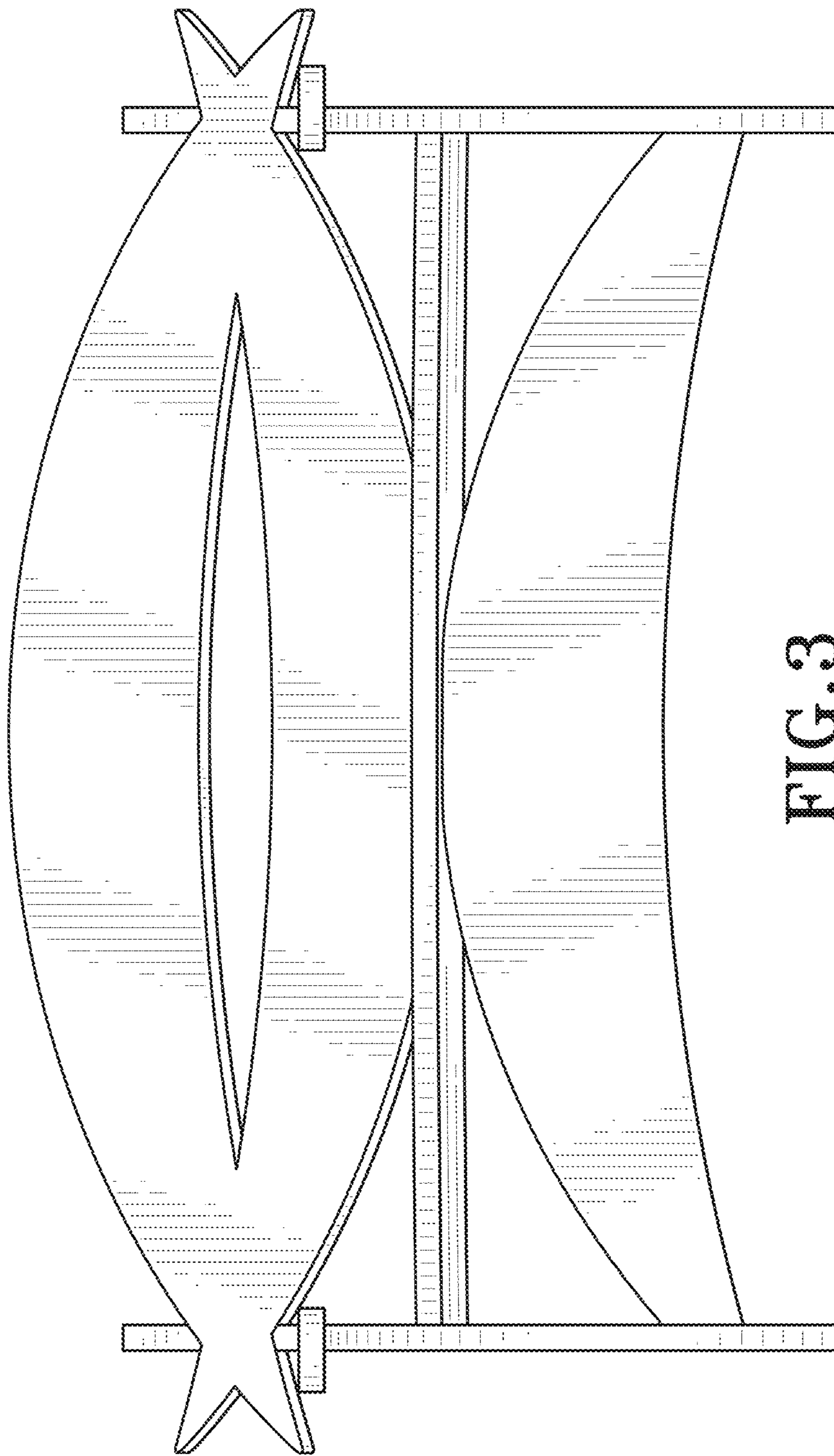


FIG. 3

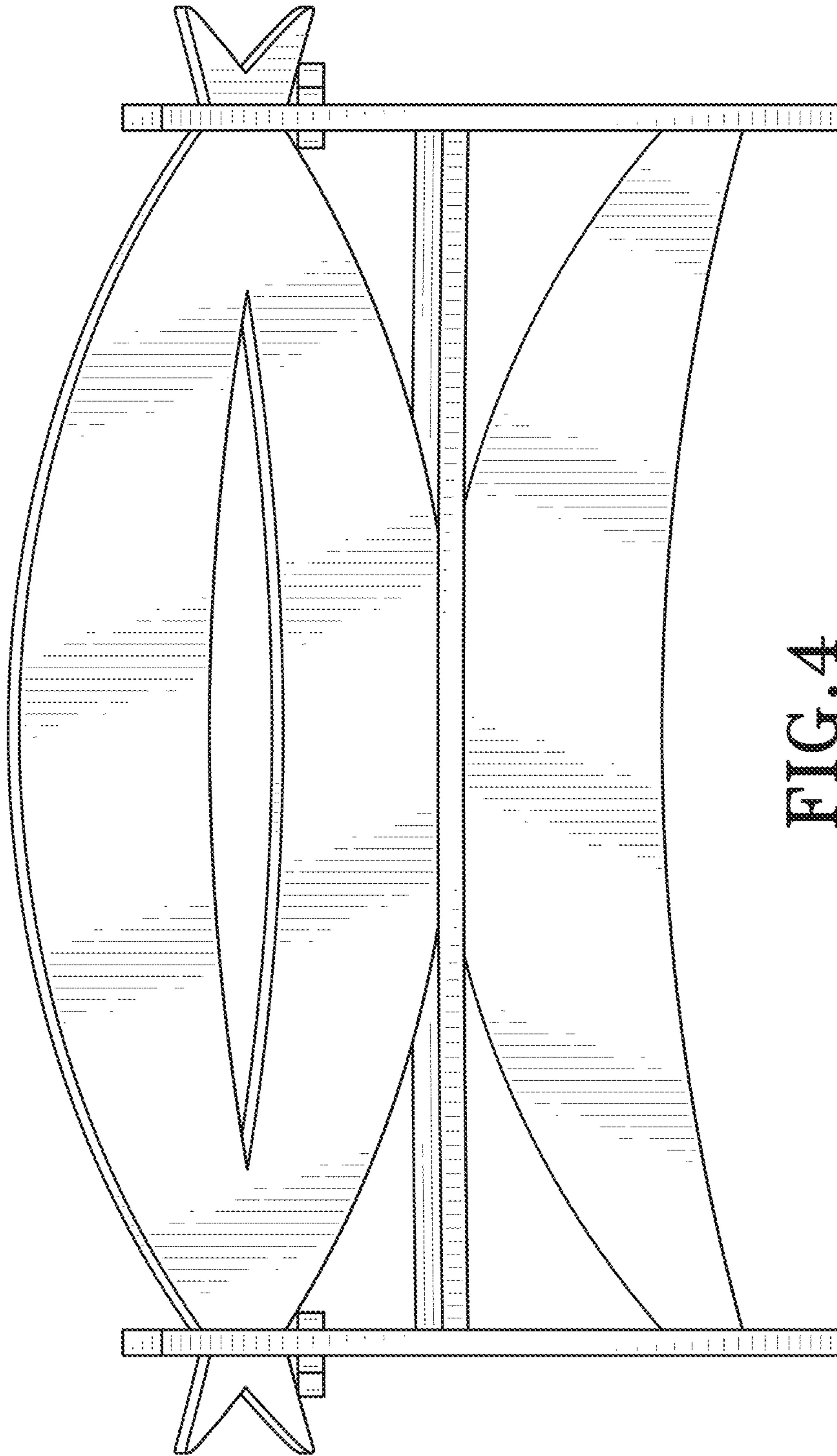


FIG. 4

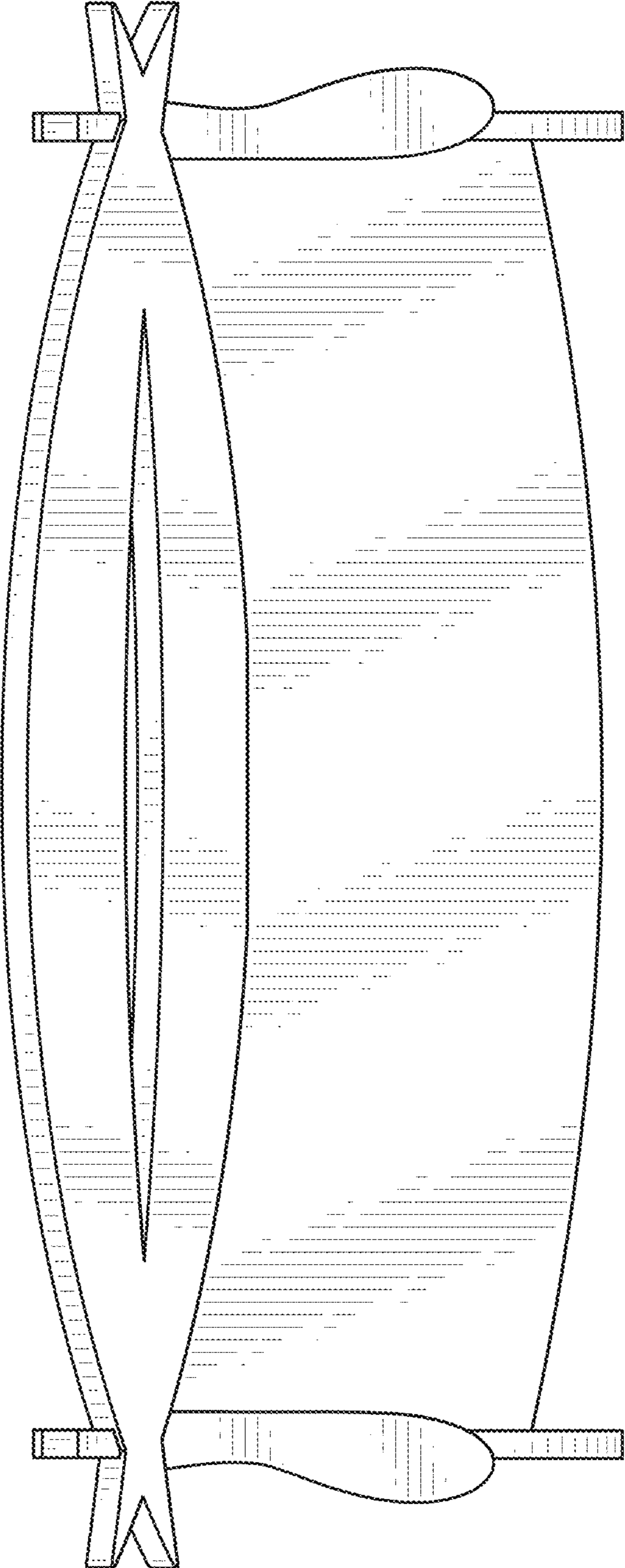


FIG. 5

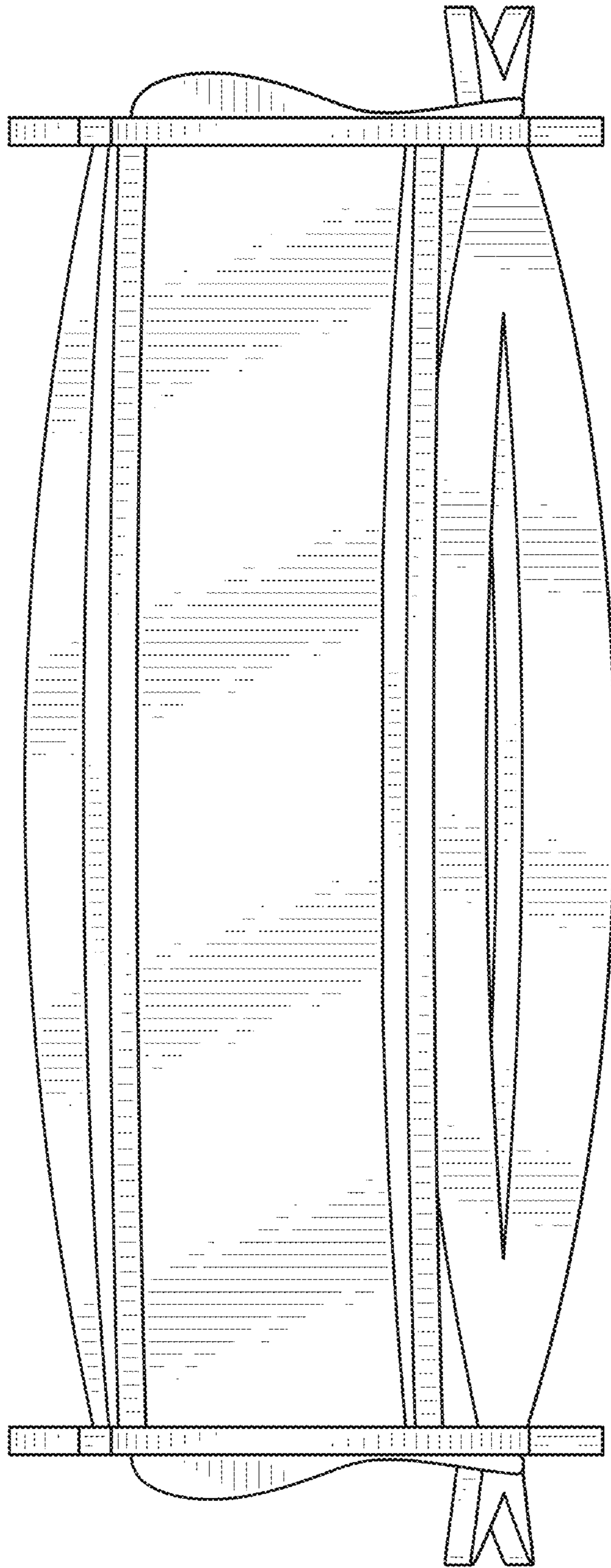


FIG. 6

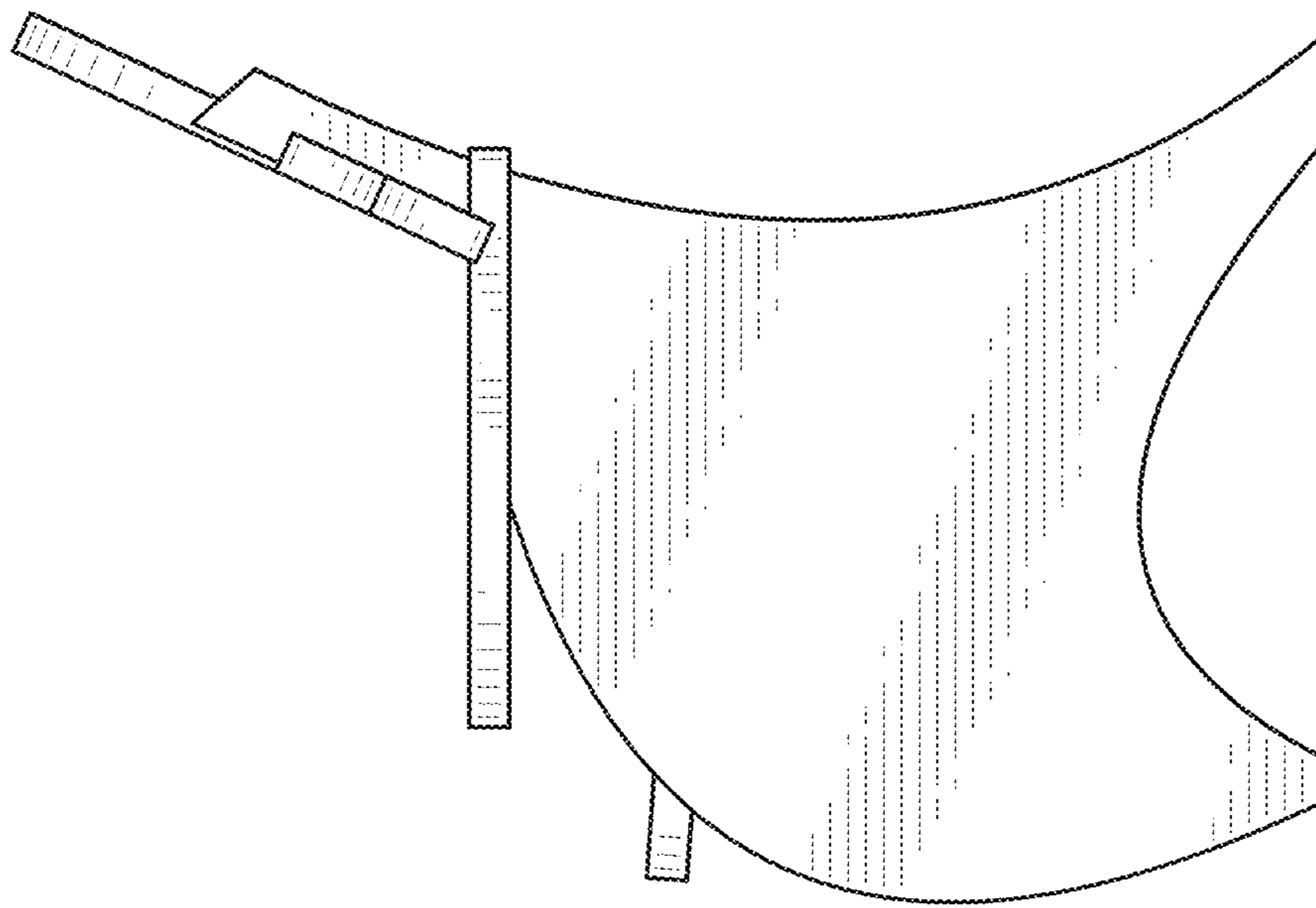


FIG. 7

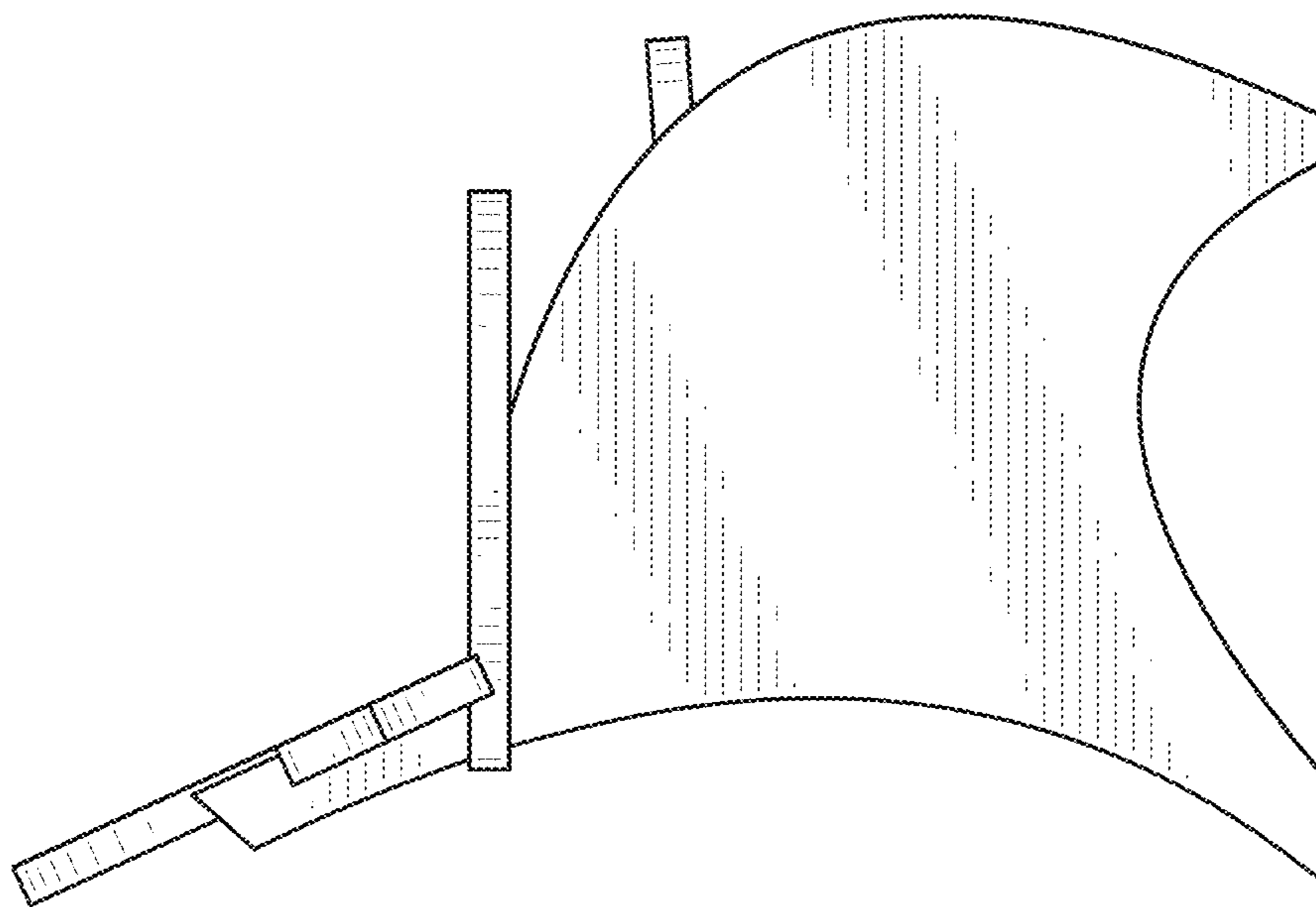


FIG. 8