



US00D836351S

(12) **United States Design Patent**  
**King et al.**

(10) **Patent No.:** **US D836,351 S**

(45) **Date of Patent:** **\*\* Dec. 25, 2018**

- (54) **TABLE**
- (71) Applicant: **King Furniture Australia Pty Ltd.,**  
Turrella, NSW (AU)
- (72) Inventors: **David King,** Turrella (AU); **Ryan**  
**Lawson,** Turrella (AU); **Anastasi**  
**Panagopoulos,** Turrella (AU); **Tanya**  
**Rechberger,** Turrella (AU)
- (73) Assignee: **King Furniture Australia Pty Ltd.,**  
Turrella (AU)
- (\*\*) Term: **15 Years**
- (21) Appl. No.: **29/607,059**
- (22) Filed: **Jun. 9, 2017**

(30) **Foreign Application Priority Data**

Dec. 9, 2016 (AU) ..... 201616943

(51) **LOC (11) Cl.** ..... **06-01**

(52) **U.S. Cl.**  
USPC ..... **D6/336; D6/686**

(58) **Field of Classification Search**  
USPC ..... D6/329, 332, 334, 335, 336, 338, 342,  
D6/374, 643, 641, 642, 686, 691.4, 702,  
D6/713, 714, 716, 716.1, 716.4, 698  
CPC ..... A47B 83/02; A47B 83/00; A47B 83/001;  
A47B 83/003; A47B 83/005; A47B  
87/00; A47C 13/00; A47C 13/005; A47C  
7/62; A47C 7/70; A47C 7/36; A47C 7/38;  
A47C 7/40

See application file for complete search history.

(56) **References Cited**

**U.S. PATENT DOCUMENTS**

D148,380 S \* 1/1948 Noel ..... 297/148  
D157,067 S \* 1/1950 Metro ..... 280/28.12

3,586,367 A \* 6/1971 Cincotta ..... A47C 7/68  
297/162  
D224,923 S \* 10/1972 Grabhorn ..... D6/336  
D239,482 S \* 4/1976 Sparrow et al. .... D6/349  
D240,096 S \* 6/1976 Haggstam et al. .... D6/373  
D266,719 S \* 11/1982 Hopkins ..... D6/707  
D288,631 S \* 3/1987 Mample ..... D6/336  
5,137,332 A \* 8/1992 Gualtierotti ..... A47C 1/023  
297/440.15  
D341,259 S \* 11/1993 Mele ..... D6/349  
D367,566 S \* 3/1996 Walters, III ..... D6/336  
D417,965 S \* 12/1999 Strong ..... D6/337  
D433,848 S \* 11/2000 Sorel ..... D6/707.19  
D454,441 S \* 3/2002 Bermudez ..... D6/335  
D463,171 S \* 9/2002 Pathiratne ..... D6/336  
D674,615 S \* 1/2013 Blomstrom ..... D6/341  
D731,219 S \* 6/2015 Spoelhof ..... D6/341

\* cited by examiner

*Primary Examiner* — Deanna L Pratt

(74) *Attorney, Agent, or Firm* — Banner & Witcoff, Ltd.

(57) **CLAIM**

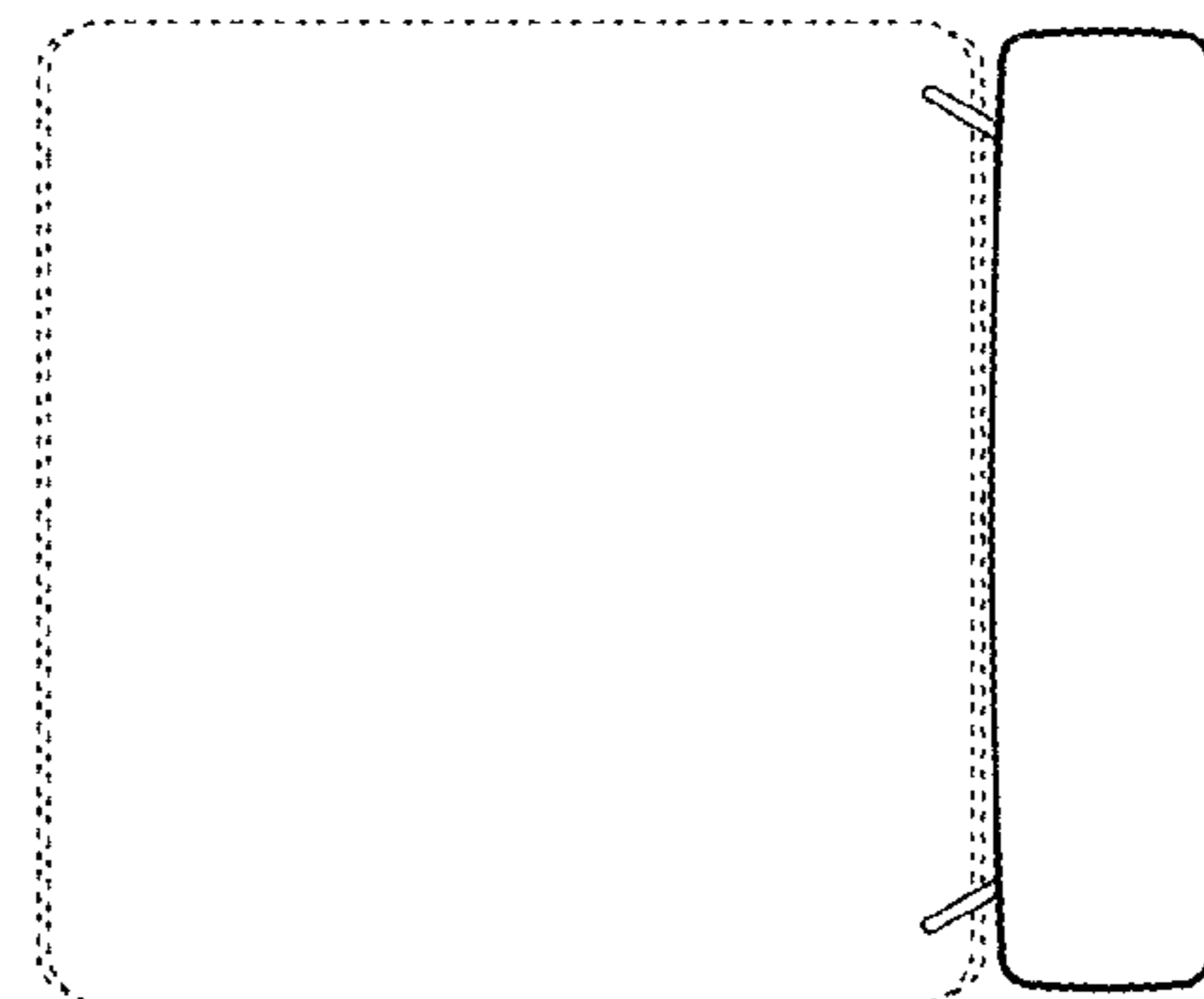
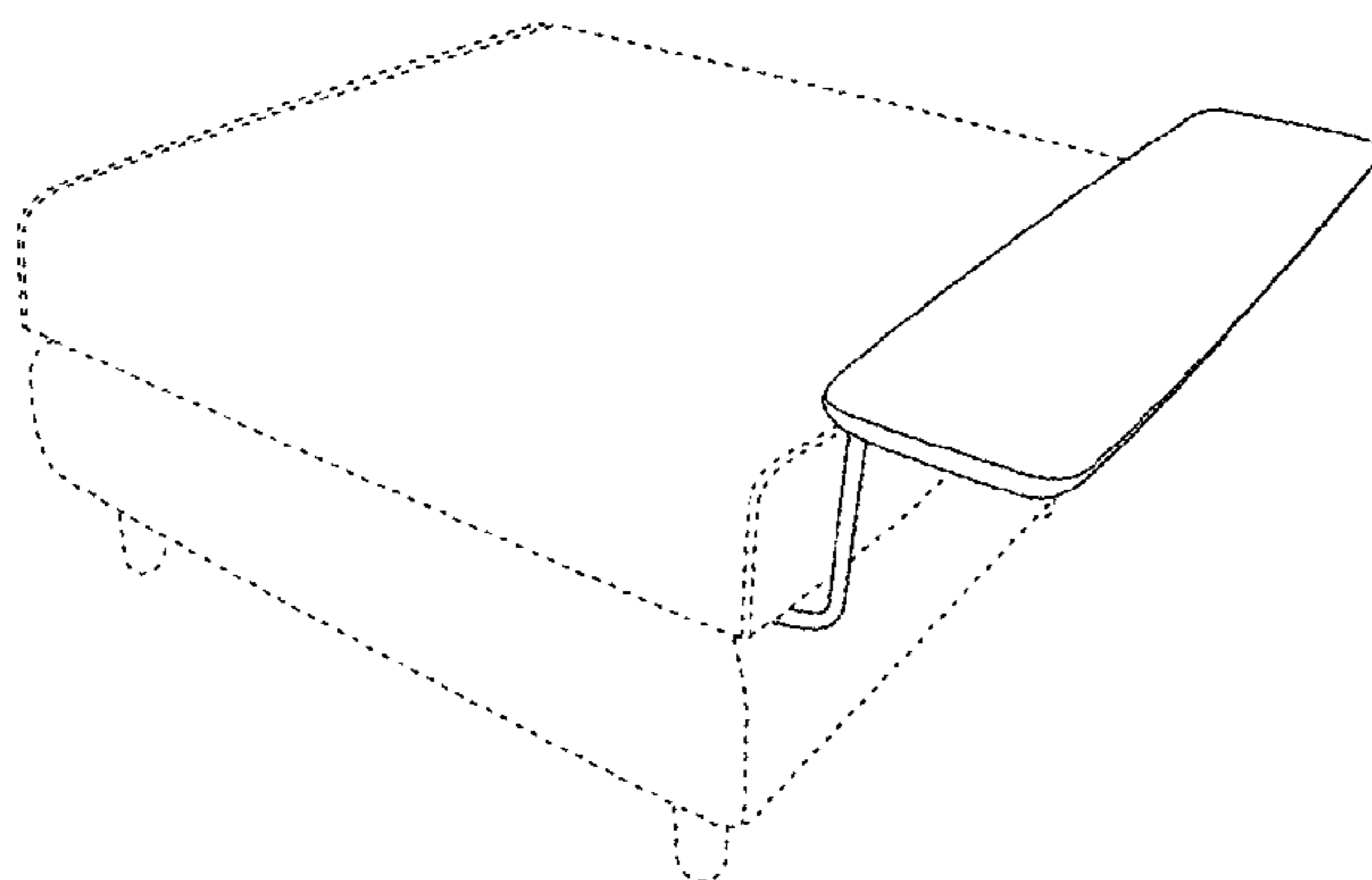
The ornamental design for a table, as shown and described.

**DESCRIPTION**

FIG. 1 is a bottom perspective view of a table;  
 FIG. 2 is a top perspective view thereof;  
 FIG. 3 is a plan view thereof;  
 FIG. 4 is a right side view thereof;  
 FIG. 5 is a front view thereof; and,  
 FIG. 6 is a left side view thereof.

The broken lines on the underside of the table in FIG. 1 illustrate portions of the table that form no part of the claimed design. All other broken lines in the drawings illustrate the environment of the claimed design and form no part thereof.

**1 Claim, 1 Drawing Sheet**



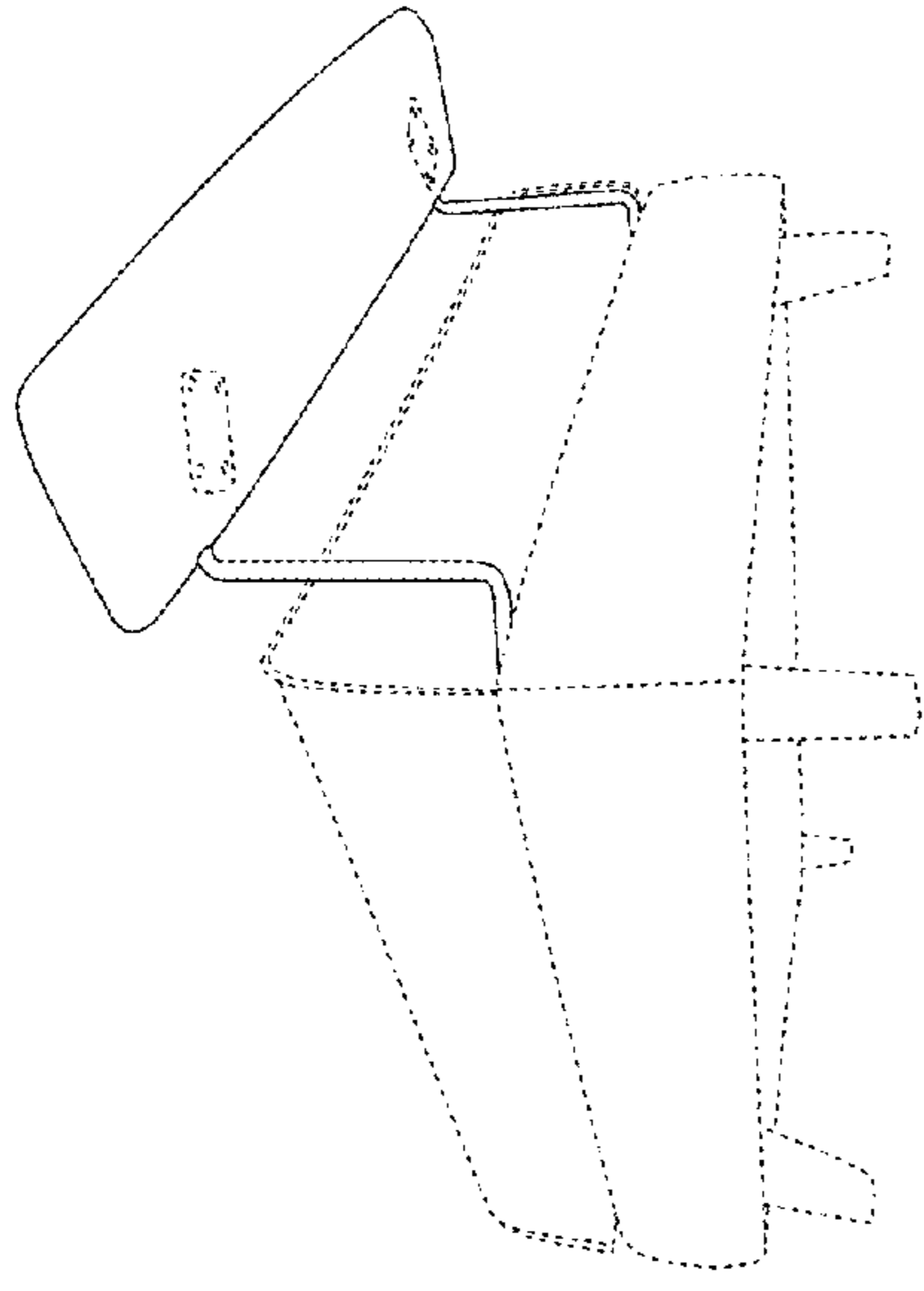


Fig. 1

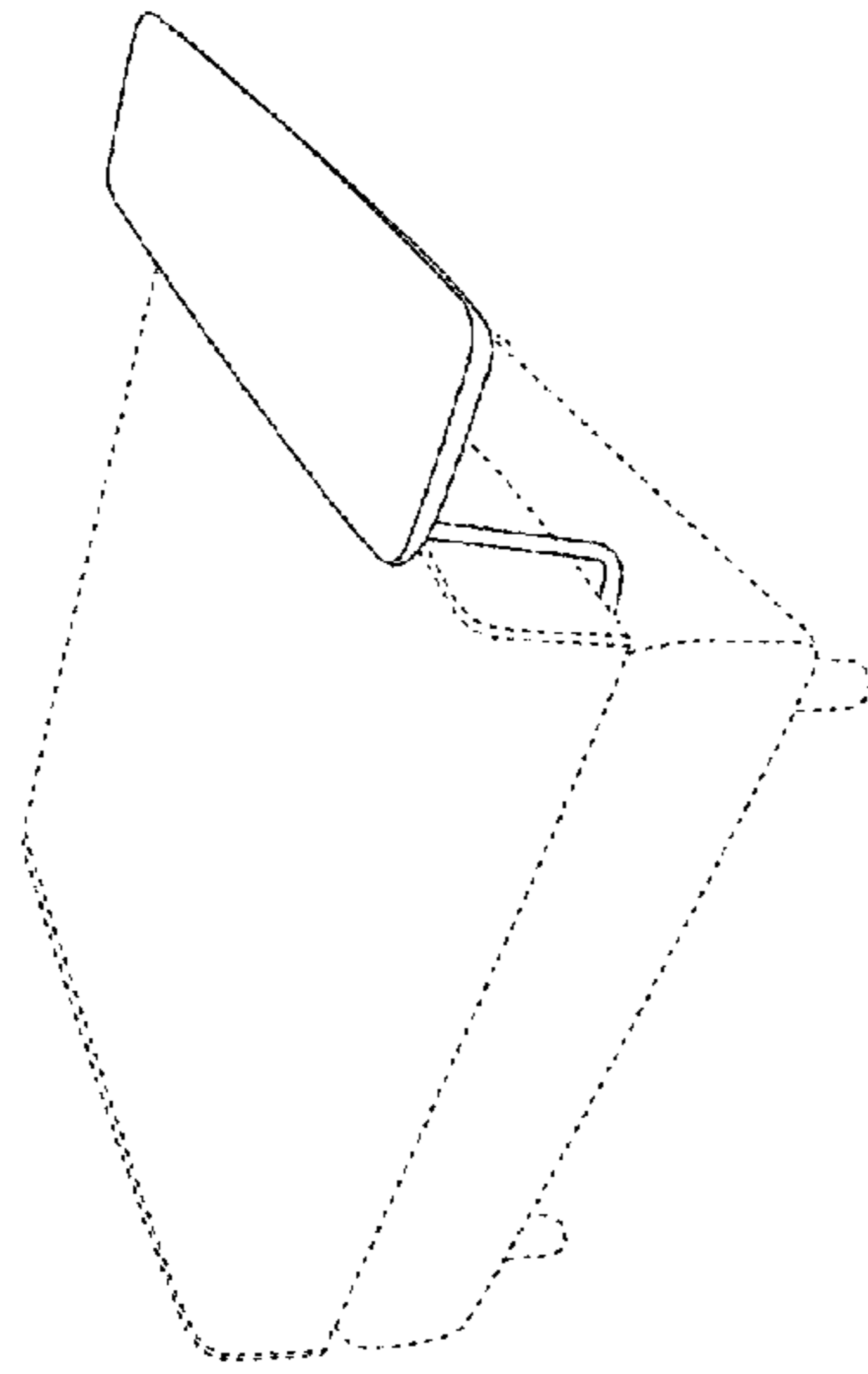


Fig. 2

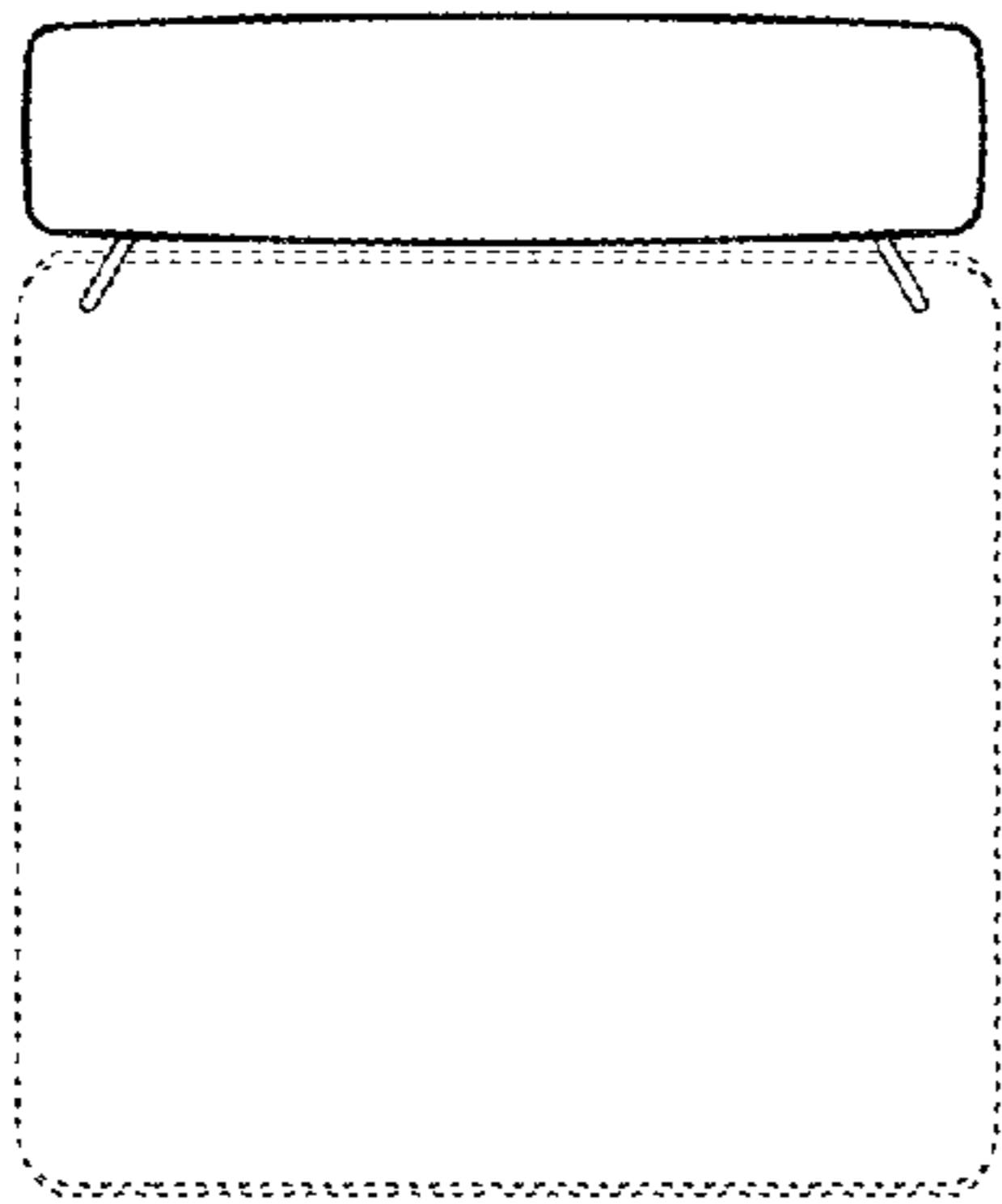


Fig. 3

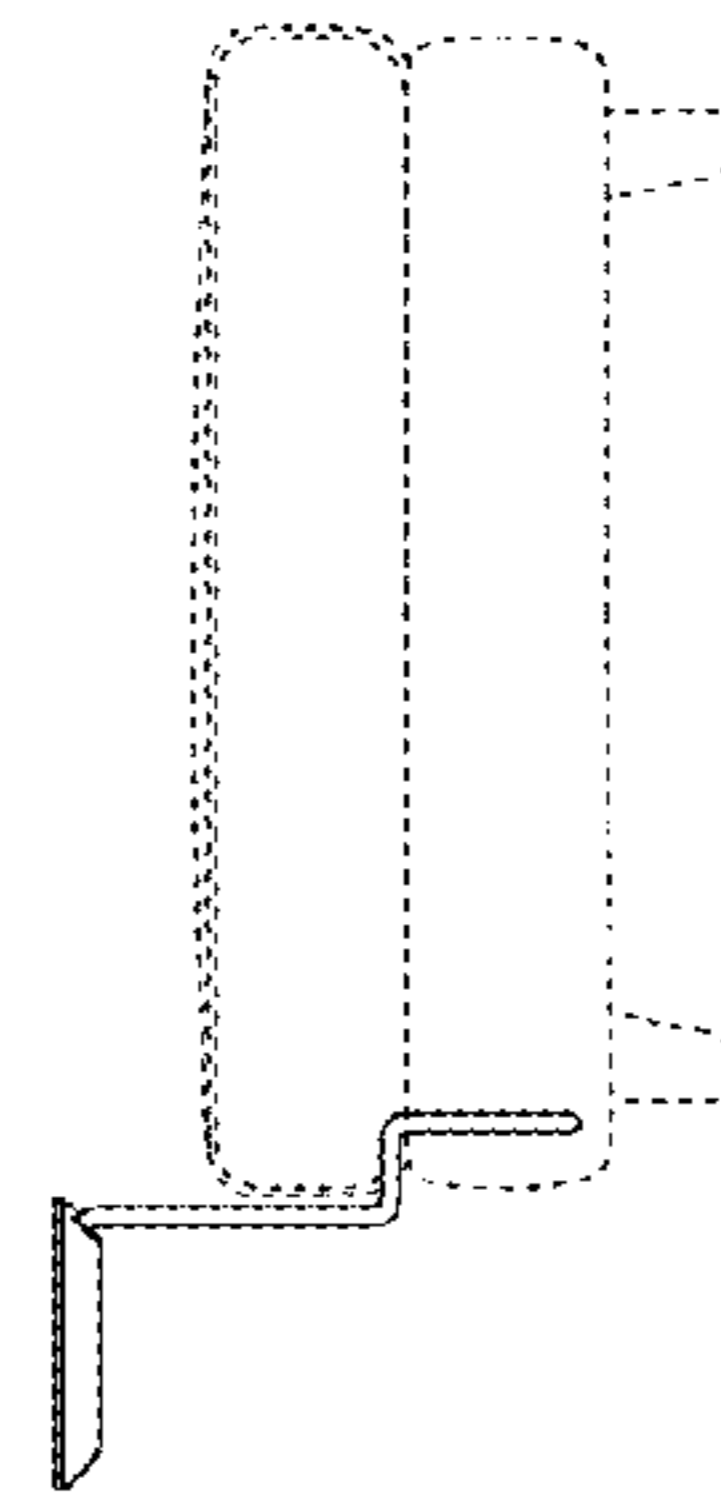


Fig. 4

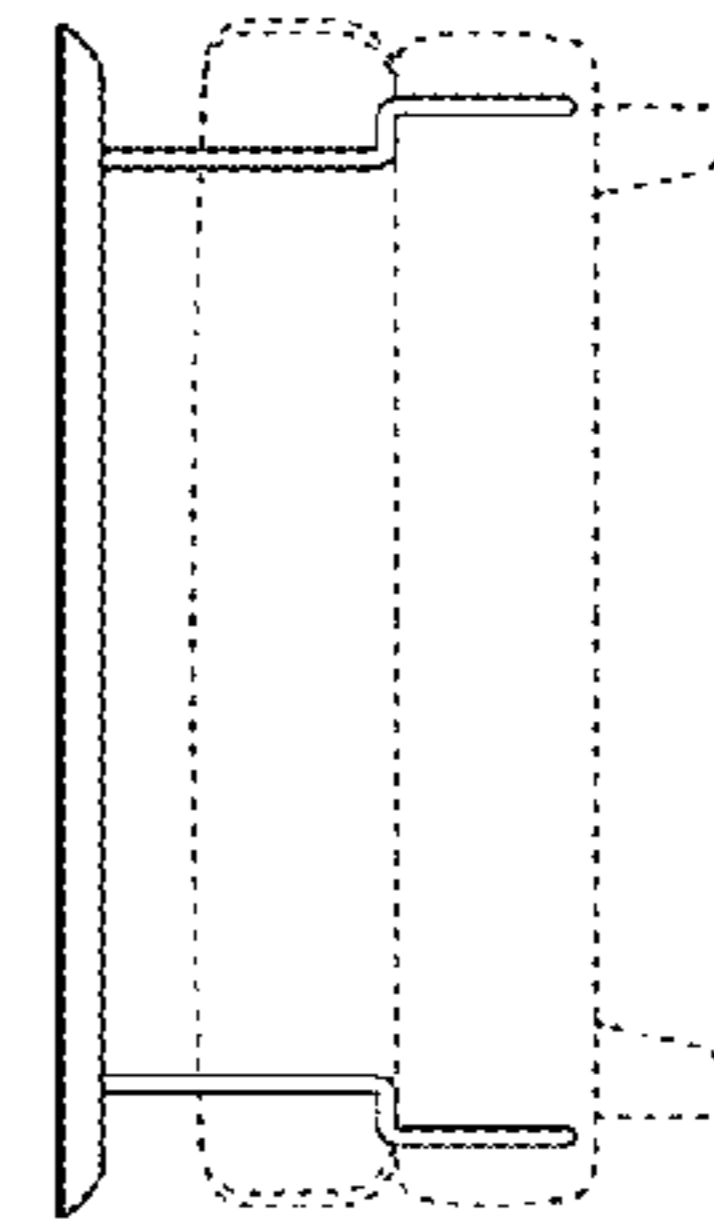


Fig. 5

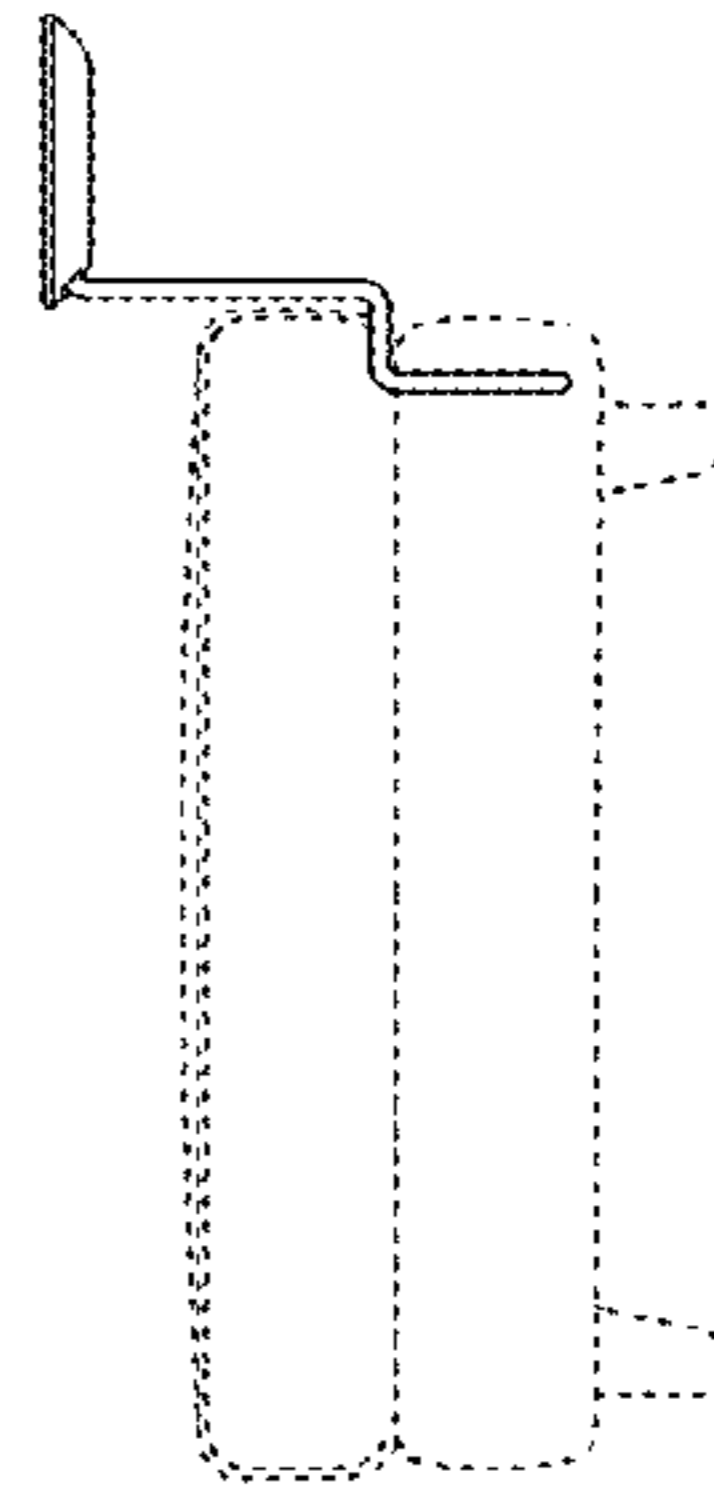


Fig. 6