



US00D836347S

(12) **United States Design Patent** (10) **Patent No.:** **US D836,347 S**
Kalbfeld (45) **Date of Patent:** **** Dec. 25, 2018**

(54) **INTERDENTAL BRUSH**

(71) Applicant: **LeedTech Resources Company,**
Naperville, IL (US)

(72) Inventor: **Russell G. Kalbfeld,** Naperville, IL
(US)

(73) Assignee: **Leedtech Resources Company, LLC,**
Naperville, IL (US)

(**) Term: **15 Years**

(21) Appl. No.: **29/579,092**

(22) Filed: **Sep. 27, 2016**

Related U.S. Application Data

(63) Continuation of application No. 29/519,268, filed on
Mar. 3, 2015, now Pat. No. Des. 767,900.

(51) **LOC (11) Cl.** **04-02**

(52) **U.S. Cl.**
USPC **D4/111; D4/128; D4/136**

(58) **Field of Classification Search**
USPC D4/111, 128, 136, 131, 104-110, 112;
15/167.1, 27, 167.2, 186-188, 104.94;
D24/152, 133, 146, 147, 194; D28/68,
D28/65; D10/57; 132/321, 329, 216,
132/218, 317, 308, 309, 325, 322;
433/80, 89, 102, 141, 216, 118, 166, 149,
433/224, 81; 264/138, 155, 250, 160;
401/290

CPC .. A46B 1/00; A46B 3/00; A46B 3/005; A46B
3/02; A46B 3/04; A46B 3/06; A46B
5/0062; A46B 2200/1066; A46B
2200/1073; A46B 2200/108; A46B
2200/1086; A61C 15/00; A61C 15/02;
A61C 15/046; A61C 15/047; A61C
15/048; A61C 3/00

See application file for complete search history.

(56) **References Cited**

U.S. PATENT DOCUMENTS

1,527,845	A *	2/1925	Daniel	A61C 15/02
				132/321
1,746,591	A *	2/1930	Heymann	A61C 15/02
				132/329
3,672,378	A *	6/1972	Silverman	A61C 15/02
				132/329
3,954,115	A *	5/1976	Bengtsson	A61C 15/02
				132/329
4,411,623	A *	10/1983	Axelsson	A61C 15/02
				222/107
4,449,933	A *	5/1984	Forni	A61C 15/02
				433/141

(Continued)

Primary Examiner — Susan Moon Lee

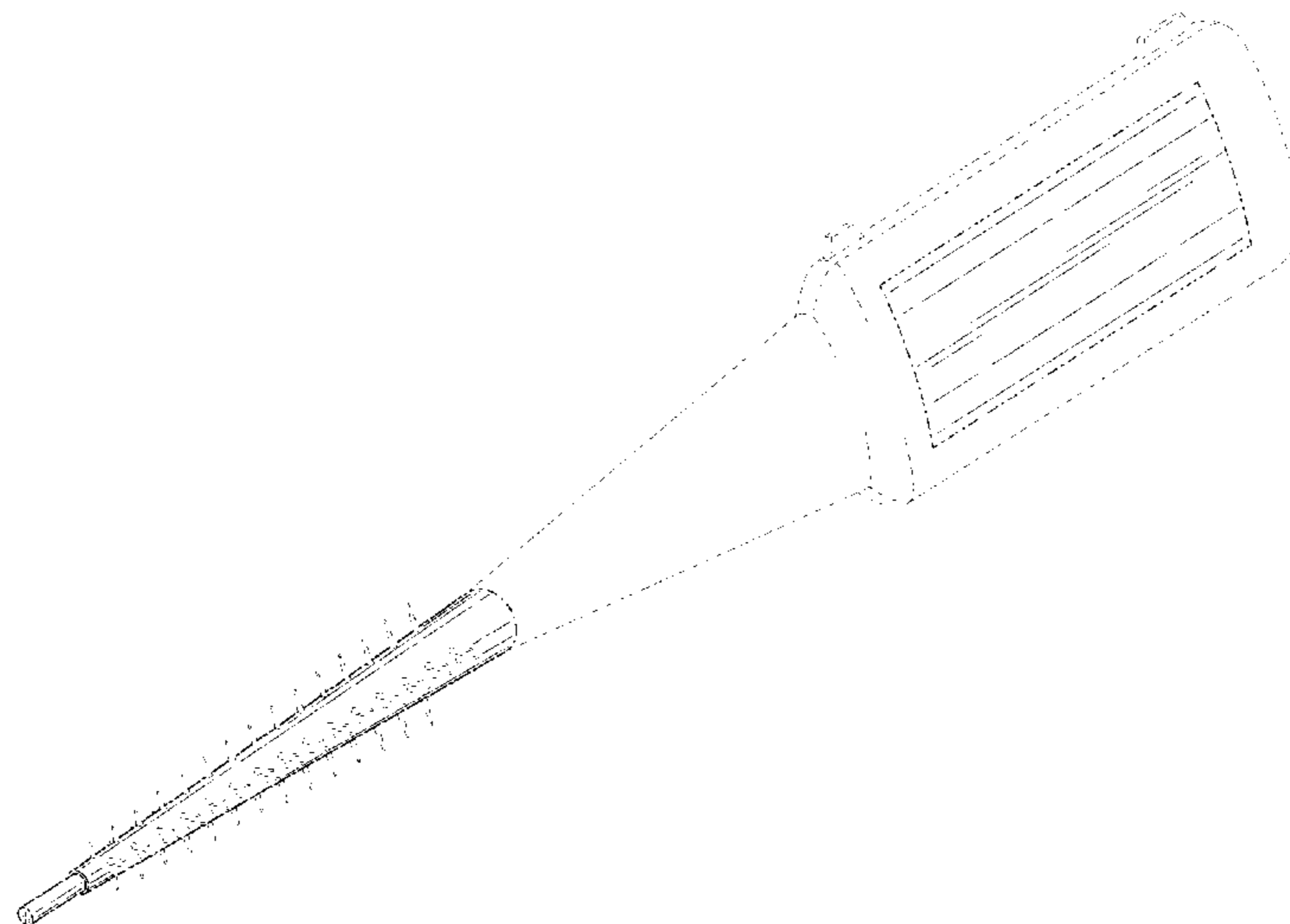
(57) **CLAIM**

I claim the ornamental design for an interdental brush, as shown and described.

DESCRIPTION

FIG. 1 is a perspective view of an interdental brush embodying the present invention.
FIG. 2 is a left side view of the interdental brush of FIG. 1.
FIG. 3 is a right side view of the interdental brush of FIG. 1.
FIG. 4 is a top view of the interdental brush of FIG. 1.
FIG. 5 is a bottom view of the interdental brush of FIG. 1.
FIG. 6 is a front view of the interdental brush of FIG. 1; and, FIG. 7 is a rear view of the interdental brush of FIG. 1.
The broken lines show portions of the interdental brush that form no part of the claimed design.
The dot-dash lines represent boundaries of the interdental brush that form no part of the claimed design.

1 Claim, 4 Drawing Sheets



(56)

References Cited

U.S. PATENT DOCUMENTS

4,577,649	A *	3/1986	Shimenkov	A61C 15/02	D745,676	S *	12/2015	Garrison	A61C 5/88
				132/329					D24/152
D294,072	S *	2/1988	Stern	D28/59	9,226,802	B2 *	1/2016	McCafferty	A61C 5/023
4,787,536	A *	11/1988	Widerstrom	B65D 1/095	D752,221	S *	3/2016	Trottier	D24/152
				206/532	D756,125	S *	5/2016	Hsu	D4/111
4,832,061	A *	5/1989	Hwang	A61C 15/02	D757,440	S *	5/2016	Butz	D4/111
				132/329	D763,578	S *	8/2016	Kato	D4/111
4,832,750	A *	5/1989	Hadary	A61C 15/02	D764,103	S *	8/2016	Wallstrom	D28/65
				132/328	D764,104	S *	8/2016	Wallstrom	D28/65
D309,039	S *	7/1990	Ljungberg	D28/65	D765,988	S *	9/2016	Kato	D4/111
5,027,467	A *	7/1991	Tarrson	A46B 3/18	D767,900	S *	10/2016	Kalbfeld	D4/111
				132/321	D787,128	S *	5/2017	Butz	D28/65
D322,893	S *	1/1992	Kihara	D4/104	D788,304	S *	5/2017	Kikkawa	D24/152
5,201,091	A *	4/1993	Tarrson	A46B 3/18	D788,305	S *	5/2017	Kikkawa	D24/152
				132/321	D794,793	S *	8/2017	Butz	D24/152
5,253,661	A *	10/1993	Alonzo	A61C 15/00	D795,430	S *	8/2017	Butz	D24/152
				132/321	D802,137	S *	11/2017	Butz	D24/152
5,333,346	A *	8/1994	Tarrson	A46B 3/18	D809,303	S *	2/2018	Kikkawa	D4/111
				132/321	2001/0035193	A1 *	11/2001	Narayanan	A61C 1/07
5,775,346	A *	7/1998	Szyszkowski	A61C 15/00					132/321
				132/321	2002/0172922	A1 *	11/2002	Mannschedel	A46B 3/005
D401,869	S *	12/1998	Tseng	D10/57					433/102
6,082,999	A *	7/2000	Tcherny	A46B 9/04	2003/0128738	A1 *	7/2003	Chen	G01K 13/002
				132/308					374/185
6,085,761	A *	7/2000	Inaba	A61C 15/02	2004/0121284	A1 *	6/2004	Hsu	A46B 3/18
				132/329					433/141
6,158,444	A *	12/2000	Weihrauch	A61C 15/02	2004/0200020	A1 *	10/2004	Masini	A46B 5/0075
				132/200					15/167.1
6,283,751	B1 *	9/2001	White	A46B 9/028	2005/0032019	A1 *	2/2005	Han	A46B 3/18
				132/329					433/80
6,343,929	B1 *	2/2002	Fischer	A61C 3/005	2005/0094707	A1 *	5/2005	Lee	G01K 13/002
				433/224					374/163
6,379,039	B1 *	4/2002	Tseng	G01K 13/002	2006/0039446	A1 *	2/2006	Lee	G01K 1/16
				374/163					374/208
6,394,648	B1 *	5/2002	Tseng	G01K 13/002	2008/0251098	A1 *	10/2008	Chen	A61C 15/00
				374/163					132/329
6,418,940	B1 *	7/2002	Tcherny	A61C 15/00	2008/0313834	A1 *	12/2008	Weber	A46B 7/04
				132/321					15/167.1
6,419,388	B2 *	7/2002	Lee	G01K 1/16	2009/0205674	A1 *	8/2009	Saloff	A61C 15/02
				374/185					132/329
6,468,080	B1 *	10/2002	Fischer	A61C 5/88	2009/0230756	A1 *	9/2009	Crossman	A46B 5/02
				433/149					300/21
6,526,993	B1 *	3/2003	Wagner	A23G 3/368	2009/0235477	A1 *	9/2009	Larsson	A46B 5/0062
				132/200					15/167.1
6,669,475	B2 *	12/2003	Kandelman	A46B 7/04	2010/0018547	A1 *	1/2010	Roemuss	A61B 17/244
				132/322					132/323
D505,790	S *	6/2005	Kline	D4/111	2010/0024839	A1 *	2/2010	Kalbfeld	A46B 1/00
6,981,869	B2 *	1/2006	Ruddle	A46B 13/006					132/329
				433/102	2011/0041271	A1 *	2/2011	Huang	A46B 5/02
D531,529	S *	11/2006	Sato	D10/57					15/167.1
D535,203	S *	1/2007	Chen	D10/57	2013/0213432	A1 *	8/2013	Lee	A61C 15/043
D536,529	S *	2/2007	Antler	D4/111					132/325
D548,885	S *	8/2007	Cafri	A61C 15/02	2014/0008837	A1 *	1/2014	Eatherton	A46B 1/00
				D28/65					264/243
D571,043	S *	6/2008	Crossman	D28/65	2014/0166043	A1 *	6/2014	Dishon	A61C 15/02
D575,004	S *	8/2008	Jansheski	D28/65					132/329
D576,799	S *	9/2008	Vezein	D4/111	2014/0224825	A1 *	8/2014	Studney	B65D 83/02
D592,916	S *	5/2009	Mazzetta	D7/683					221/1
D594,984	S *	6/2009	Crossman	D24/152	2015/0114428	A1 *	4/2015	Kato	A46B 15/0093
D596,751	S *	7/2009	Elbaz	D24/214					132/329
D615,425	S *	5/2010	Shigeno	D10/57	2015/0238294	A1 *	8/2015	Coppersmith	A61C 15/02
D634,475	S *	3/2011	Nanda	D28/68					132/329
8,181,786	B1 *	5/2012	Alas	A61C 15/00	2015/0257861	A1 *	9/2015	Dishon	A46B 3/005
				206/570					132/329
D664,454	S *	7/2012	Shibata	D10/57	2015/0282601	A1 *	10/2015	Butz	A46B 1/00
D665,534	S *	8/2012	Stewart	D28/65					15/167.1
D674,610	S *	1/2013	Eatherton	D4/111	2015/0335141	A1 *	11/2015	Schar	A46B 1/00
8,404,053	B2 *	3/2013	Prince	A46B 3/18					15/106
				134/6	2016/0058531	A1 *	3/2016	Adriano	A46B 3/005
D687,682	S *	8/2013	Tsioukis	D7/683					132/329
D730,204	S *	5/2015	Juhng	D10/57	2016/0135932	A1 *	5/2016	Butz	A61C 15/02
D730,205	S *	5/2015	Juhng	D10/57					132/329
D744,756	S *	12/2015	Kato	D4/104	2016/0296309	A1 *	10/2016	Schmalhurst	A61C 15/00
					2016/0331490	A1 *	11/2016	Garbo	A61C 15/02
					2016/0367345	A1 *	12/2016	Wallstrom	A61C 15/02
					2017/0105821	A1 *	4/2017	Kato	A46B 3/005
					2017/0164726	A1 *	6/2017	Lee	A46B 9/04

(56)

References Cited

U.S. PATENT DOCUMENTS

2017/0216002 A1* 8/2017 Butz A46B 1/00
2017/0318948 A1* 11/2017 Butz A46B 3/005
2017/0319309 A1* 11/2017 Gengyo A61C 15/02
2017/0319310 A1* 11/2017 Gengyo A61C 15/02
2017/0348078 A1* 12/2017 Lee A61C 15/02
2018/0035798 A1* 2/2018 Friedt A46B 9/04
2018/0168783 A1* 6/2018 Kato A61C 15/02
2018/0177389 A1* 6/2018 Hong A61B 1/0684
2018/0193119 A1* 7/2018 Butz A61C 15/02
2018/0256298 A1* 9/2018 Kikkawa A61C 15/02
2018/0263741 A1* 9/2018 Kikkawa A61C 15/02

* cited by examiner

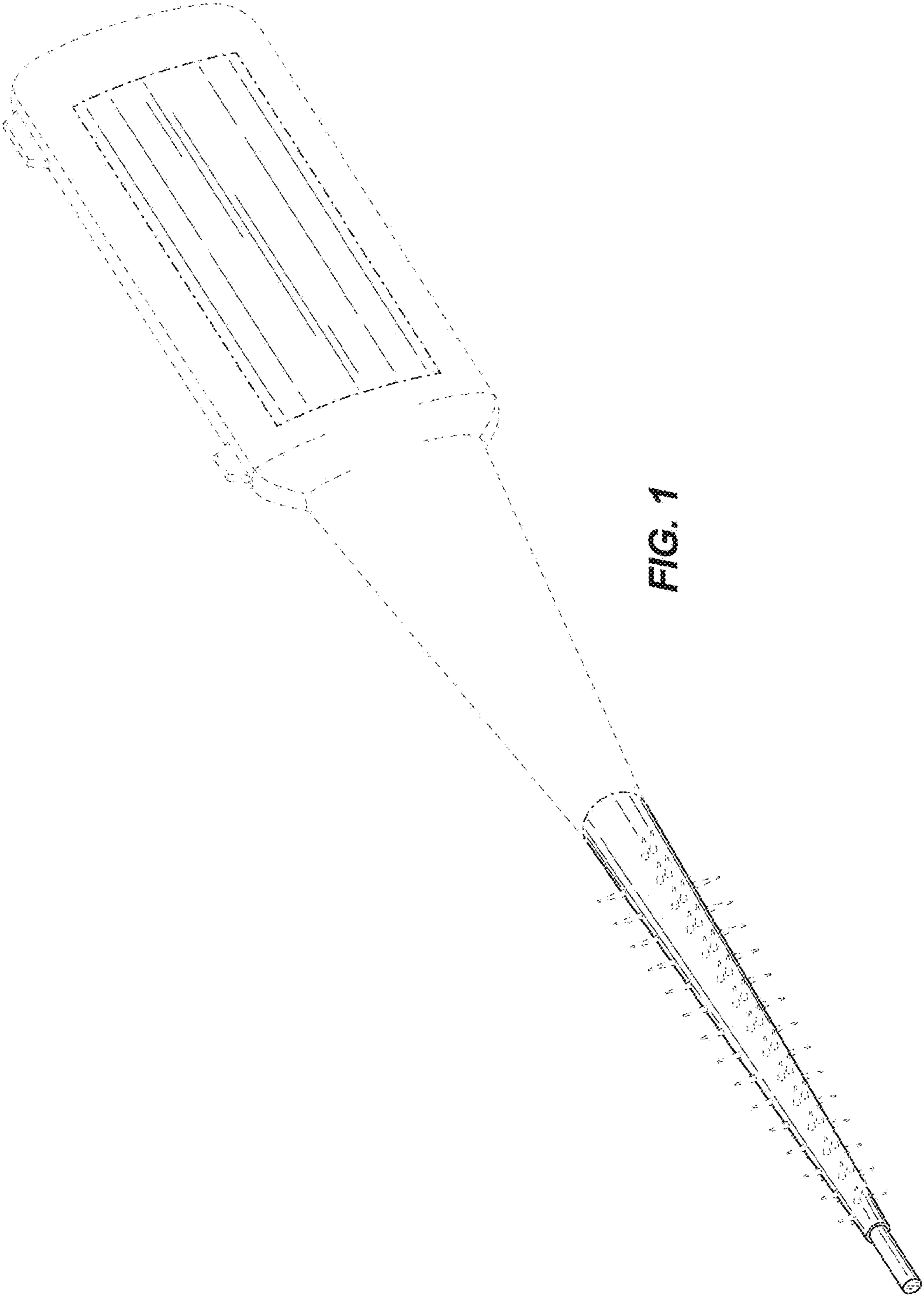


FIG. 1

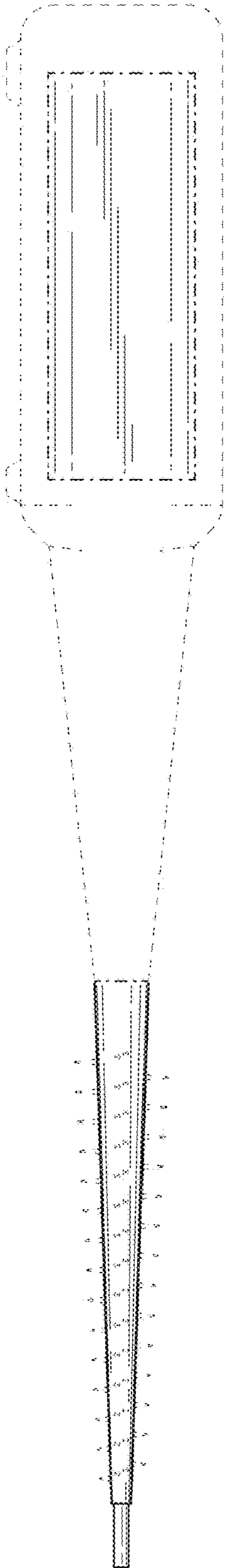


FIG. 2

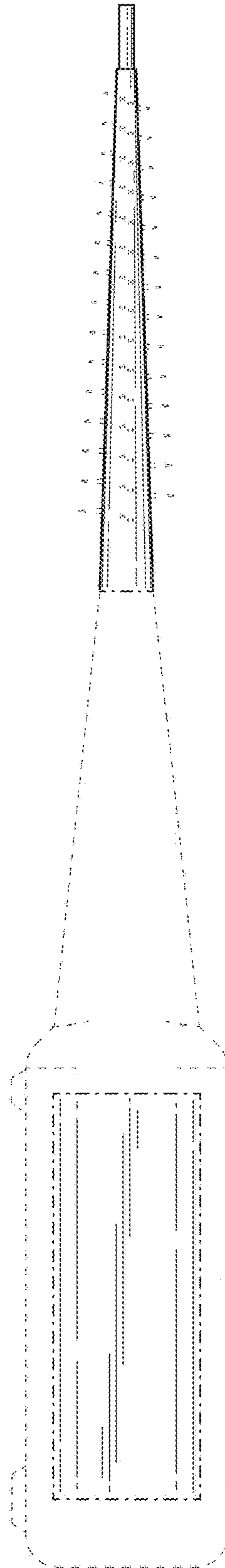


FIG. 3



FIG. 4

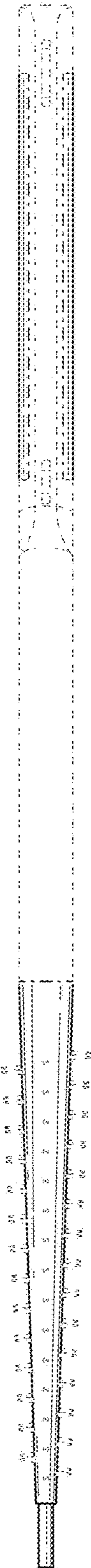


FIG. 5

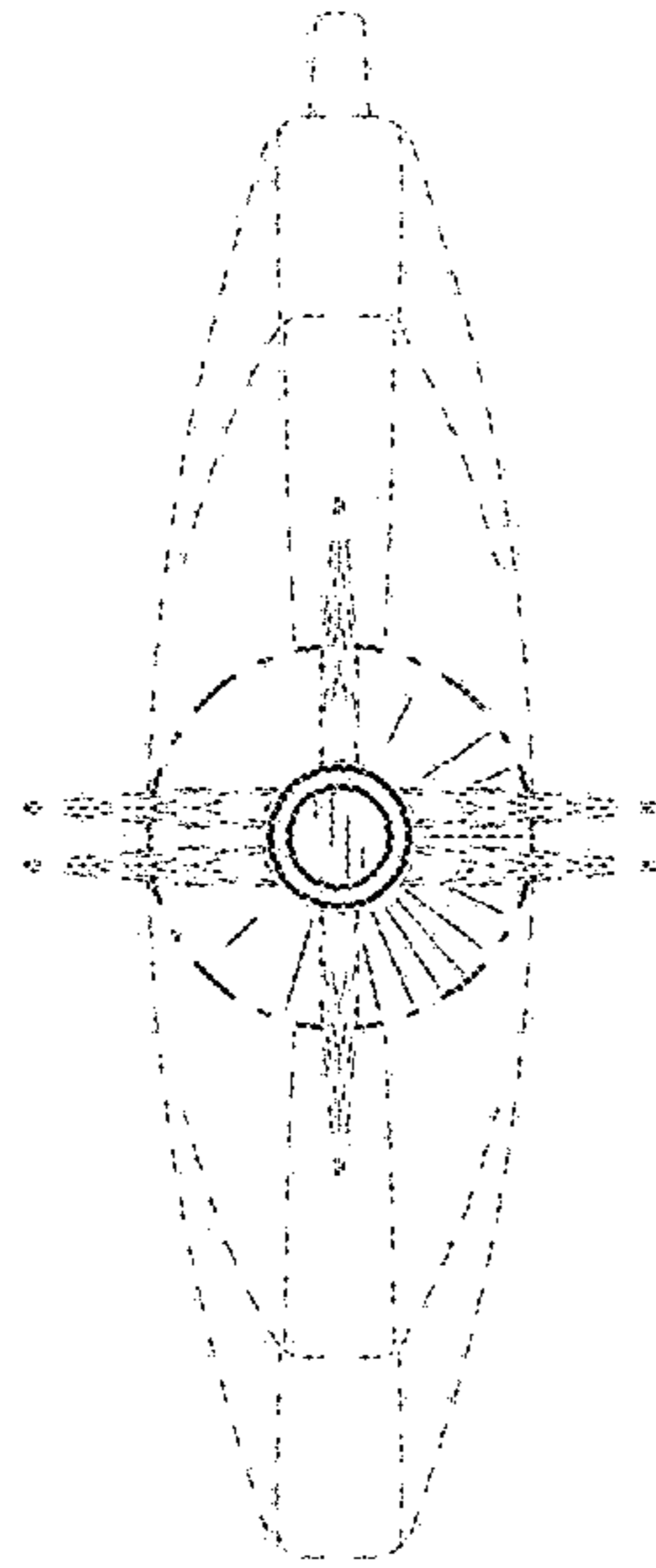


FIG. 6

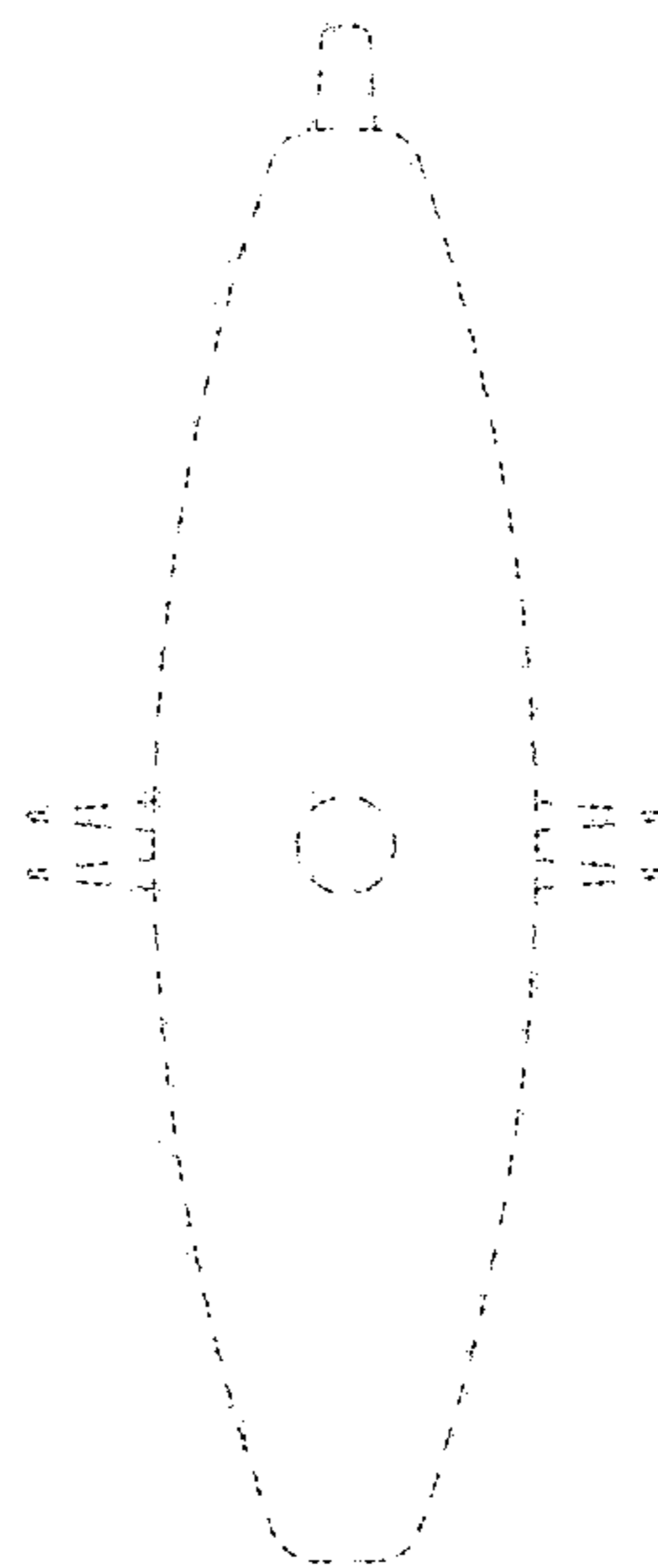


FIG. 7