



US00D836346S

(12) **United States Design Patent** (10) **Patent No.:** **US D836,346 S**
Courtney et al. (45) **Date of Patent:** **** Dec. 25, 2018**

(54) **HANDLE FOR DENTAL APPLIANCE**
(71) Applicant: **Dyson Technology Limited**, Wiltshire (GB)
(72) Inventors: **Stephen Benjamin Courtney**, Bath (GB); **Timothy Nicholas Stickney**, Gloucester (GB); **Thomas James Dunning Follows**, Swindon (GB)
(73) Assignee: **Dyson Technology Limited**, Malmesbury, Wiltshire (GB)

(**) Term: **15 Years**
(21) Appl. No.: **29/602,443**
(22) Filed: **May 1, 2017**

(30) **Foreign Application Priority Data**
Nov. 2, 2016 (GB) 6002265
Nov. 2, 2016 (GB) 6002267
Nov. 2, 2016 (GB) 6002269
(51) **LOC (11) Cl.** **04-02**
(52) **U.S. Cl.**
USPC **D4/101**
(58) **Field of Classification Search**
USPC D4/101, 104, 105, 108, 110, 111;
D24/111, 152, 156, 176; D8/300, 301,
D8/303, 321
CPC A46B 5/00; A46B 5/021; A46B 5/023;
A46B 5/026; A46B 5/028; A46B 5/0016;
A46B 5/0095; A46B 13/00; A46B 13/02;
A46B 13/04; A46B 2200/10; A46B
2200/30; A46B 2200/108; A46B
2200/302; A46B 2200/304; A46B
2200/1066; A46B 2200/1073; A46B
2200/1086; A46B 2200/3026; A46B
2200/3033; A46B 2200/3046; A46B 9/04;
A61C 15/00; A61C 15/047; A61C
15/048; A61C 17/00; A61C 17/02; A61C
17/16; A61C 17/22; A61C

(Continued)

(56) **References Cited**
U.S. PATENT DOCUMENTS
1,051,815 A 1/1913 Morgan
D84,131 S 5/1931 D'Ayrenx et al.
(Continued)

FOREIGN PATENT DOCUMENTS
CN 304361403 11/2017
GB 2538299 11/2016
(Continued)

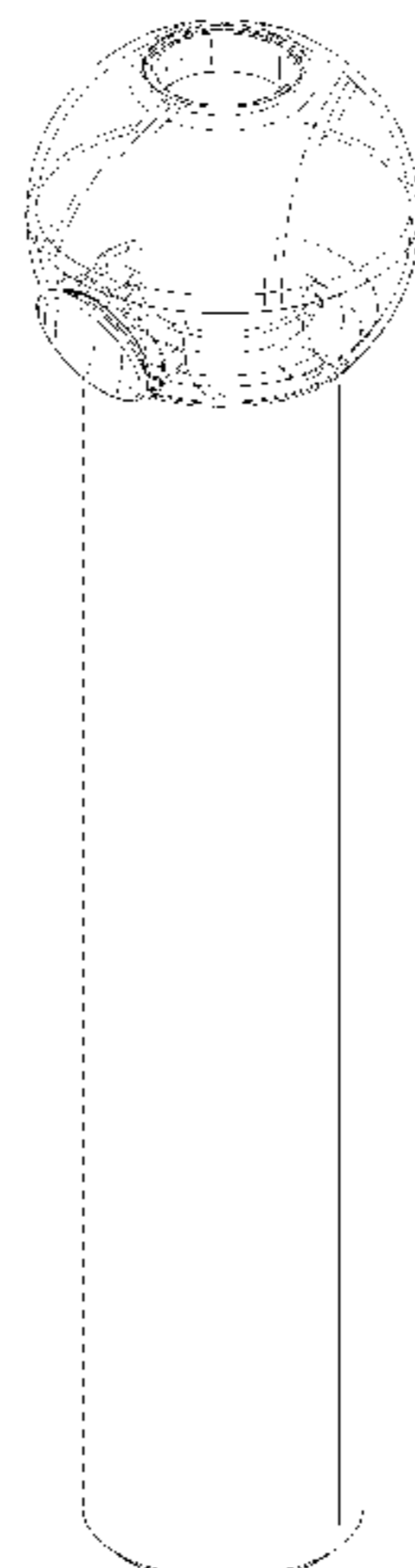
OTHER PUBLICATIONS
Courtney et al., U.S. Office Action dated May 16, 2018, directed to U.S. Appl. No. 29/602,343; 9 pages.
(Continued)

Primary Examiner — Wan Laymon
Assistant Examiner — Clint A Samuel
(74) *Attorney, Agent, or Firm* — Morrison & Foerster LLP

(57) **CLAIM**
We claim the ornamental design for a handle for dental appliance, as shown and described.

DESCRIPTION
FIG. 1 is a perspective view of a handle for dental appliance showing our new design;
FIG. 2 is a front view thereof;
FIG. 3 is a rear view thereof;
FIG. 4 is a side view thereof;
FIG. 5 is a side view of the opposite side of FIG. 4;
FIG. 6 is a top view thereof; and,
FIG. 7 is a bottom view thereof.
The broken lines shown in the drawings illustrate portions of a handle for dental appliance that form no part of the claimed design.

1 Claim, 7 Drawing Sheets



(58) **Field of Classification Search**
 CPC 17/26; A61C 17/38; A61C 17/40; A61C
 17/221; A61C 17/225; A61C 17/227;
 A61C 17/0202; A61C 1/0084
 See application file for complete search history.

(56) **References Cited**
 U.S. PATENT DOCUMENTS

1,847,495 A 3/1932 Priest
 1,959,601 A 5/1934 Schulse
 2,036,706 A 4/1936 Law
 D113,432 S 2/1939 Newman
 2,318,460 A 5/1943 Brief
 D153,130 S 3/1949 Fischer
 2,490,185 A 12/1949 Work
 D197,763 S 3/1964 Aymar
 3,370,415 A 2/1968 McIlvaine
 3,728,035 A 4/1973 Reitknecht
 3,734,106 A 5/1973 Zimmerman
 D230,654 S 3/1974 Fishbein
 D258,237 S 2/1981 Anspach
 4,277,194 A 7/1981 Smith
 D264,359 S 5/1982 Grubb et al.
 4,344,184 A 8/1982 Edwards
 D276,935 S 12/1984 Fattaleh
 4,761,138 A 8/1988 Niesyn
 D301,400 S 6/1989 Berendsen et al.
 4,949,875 A 8/1990 Kuo
 D310,368 S 9/1990 Derhaag et al.
 D315,831 S 4/1991 Kawano
 D319,170 S 8/1991 Franke
 D320,275 S 9/1991 Wada et al.
 D321,285 S * 11/1991 Hirabayashi D4/101
 5,062,728 A 11/1991 Kuo
 D323,326 S 1/1992 Takawo
 D323,745 S 2/1992 Stuart
 D336,567 S 6/1993 Glover et al.
 5,303,109 A 4/1994 Takao
 5,349,480 A 9/1994 Takao
 D353,490 S * 12/1994 Hartwein D13/108
 D354,168 S * 1/1995 Hartwein D13/108
 5,379,271 A 1/1995 Moedt
 D357,016 S 4/1995 Li et al.
 D359,607 S 6/1995 Yun
 D379,472 S 5/1997 Smith
 D384,207 S * 9/1997 Underwood D4/104
 D385,702 S * 11/1997 Okada D4/101
 D387,805 S 12/1997 Hsu
 D388,958 S * 1/1998 Hartwein D4/101
 D393,016 S 3/1998 Young
 D396,957 S 8/1998 Allende
 5,815,872 A * 10/1998 Meginniss, III ... A46B 15/0002
 15/105
 D401,270 S 11/1998 Cockram
 D403,864 S 1/1999 Holland et al.
 D411,483 S 6/1999 Greene, Jr.
 D411,769 S * 7/1999 Wright D4/101
 D413,729 S 9/1999 Jansheski, Jr.
 D417,082 S 11/1999 Classen et al.
 D419,305 S 1/2000 Porter et al.
 6,047,429 A 4/2000 Wu
 D423,784 S 5/2000 Joulin
 D428,704 S 8/2000 Wildman
 D433,232 S 11/2000 Stützer et al.
 D433,813 S 11/2000 Stützer et al.
 D433,814 S 11/2000 Blaustein et al.
 D436,254 S * 1/2001 Kling D4/101
 D440,766 S 4/2001 Hartwein et al.
 6,220,772 B1 4/2001 Taylor
 D445,831 S 7/2001 Lindner
 D446,022 S * 8/2001 Vonarburg D4/108
 D451,244 S 11/2001 Chen et al.
 6,332,233 B1 12/2001 Proulx
 D453,996 S 3/2002 Kling et al.
 D455,010 S 4/2002 Kling
 D455,556 S 4/2002 Kling

D456,608 S 5/2002 Lim
 D456,996 S * 5/2002 McCurrach D4/101
 D458,028 S * 6/2002 McCurrach D4/101
 D458,029 S 6/2002 Li
 6,422,974 B1 7/2002 Schimmel
 D462,174 S 9/2002 Schaber
 6,461,164 B1 10/2002 Ramelli
 D465,279 S 11/2002 Etter et al.
 D468,422 S * 1/2003 McCurrach D24/111
 D476,156 S 6/2003 Ferber et al.
 D477,716 S 7/2003 Roberson
 D478,212 S 8/2003 Winkler
 D478,214 S 8/2003 Winkler et al.
 D478,423 S 8/2003 Mulder et al.
 D483,182 S 12/2003 Blaustein et al.
 D487,911 S 3/2004 Cheney
 D492,717 S 7/2004 Cohen
 D492,996 S 7/2004 Rehkemper et al.
 6,766,549 B2 7/2004 Klupt
 D497,481 S 10/2004 Porter et al.
 D499,554 S 12/2004 Ramelli
 D500,136 S 12/2004 Rehkemper et al.
 D500,209 S 12/2004 Kellogg
 D500,599 S * 1/2005 Callaghan D4/101
 D501,605 S 2/2005 Brown, Jr. et al.
 D503,852 S 4/2005 Hensel
 D504,911 S 5/2005 Ng
 D508,776 S * 8/2005 Kling D4/101
 D509,362 S 9/2005 Maeda
 7,007,331 B2 3/2006 Davics et al.
 D521,681 S 5/2006 Xu
 D527,187 S 8/2006 Ramelli
 D527,527 S 9/2006 Ramelli
 D528,176 S 9/2006 Milliken
 D531,240 S 10/2006 Geisendorfer
 D531,811 S 11/2006 Cochran
 D532,974 S 12/2006 Zhuan
 D533,720 S 12/2006 Vu
 D534,728 S 1/2007 Vu
 D541,049 S 4/2007 Huang
 D549,209 S 8/2007 Bauman et al.
 D556,453 S 12/2007 Sprosta et al.
 D556,455 S 12/2007 Williams
 D562,488 S 2/2008 Weiser
 D569,623 S * 5/2008 Beedham D4/101
 7,389,781 B2 6/2008 Kemp et al.
 D572,007 S * 7/2008 Lamason D4/101
 D577,199 S 9/2008 Zhuan
 D579,664 S 11/2008 Fisher et al.
 D579,666 S 11/2008 Jamson
 D580,173 S * 11/2008 Beedham D4/101
 D583,052 S 12/2008 Kagawa
 D586,125 S 2/2009 Winkler et al.
 D588,364 S 3/2009 Nanda
 D589,255 S 3/2009 Taylor et al.
 7,527,446 B2 5/2009 Johnson Papa et al.
 D595,366 S 6/2009 Katzke
 D595,771 S 7/2009 Oas
 D598,653 S 8/2009 Crossman
 D598,806 S 8/2009 Rosenkötter
 D599,555 S 9/2009 Oliphant
 D612,611 S 3/2010 Brown, Jr. et al.
 D621,455 S 8/2010 Chernick et al.
 D627,971 S 11/2010 Battaglia
 D634,547 S 3/2011 Botelho
 D636,604 S * 4/2011 Zhuan D4/101
 D637,817 S 5/2011 Smith
 D645,922 S 9/2011 Wu
 D649,787 S * 12/2011 Ivarsson D4/101
 D657,954 S 4/2012 Gebski
 D658,883 S 5/2012 Winkler et al.
 D669,274 S 10/2012 Meurrens
 D669,978 S 10/2012 Gebski et al.
 8,317,424 B2 11/2012 Chenvainu et al.
 D673,225 S 12/2012 Heidrich
 8,434,190 B2 5/2013 Stief et al.
 8,444,416 B2 5/2013 Chenvainu et al.
 D688,464 S 8/2013 Hara
 D688,877 S 9/2013 Li

(56)

References Cited

U.S. PATENT DOCUMENTS

D689,125 S 9/2013 Lochen
 D689,698 S 9/2013 Dickie et al.
 D690,369 S 9/2013 Wu
 D693,581 S 11/2013 Ballmaier et al.
 D694,524 S 12/2013 Erskine-Smith
 D696,024 S 12/2013 Shigeno et al.
 D696,517 S 12/2013 Gebski
 D701,388 S 3/2014 Chuanzhou et al.
 D702,946 S 4/2014 Shigeno et al.
 D704,337 S 5/2014 Dunn
 D706,033 S 6/2014 Dickie et al.
 D707,764 S 6/2014 Deveaux
 D708,440 S 7/2014 Owen et al.
 D711,988 S 8/2014 Gubany
 D712,988 S 9/2014 Sagedahl
 D713,391 S 9/2014 Ibuki et al.
 D718,056 S * 11/2014 Masee D4/101
 D718,057 S * 11/2014 Masee D4/101
 D719,737 S * 12/2014 Adriaenssen D4/101
 D724,679 S 3/2015 Martyn
 D727,445 S 4/2015 Viramontez
 9,039,642 B2 5/2015 Lee
 D735,280 S 7/2015 O'Malley
 D736,870 S 8/2015 Nagi
 D738,968 S 9/2015 Oz
 D741,423 S 10/2015 Holland
 9,154,025 B2 * 10/2015 Schaefer H02K 33/10
 D742,649 S * 11/2015 Thompson D4/104
 D749,851 S 2/2016 Watkins
 D749,852 S 2/2016 Since
 9,265,334 B1 2/2016 Fung-A-Wing
 D751,821 S * 3/2016 Since D4/101
 D752,868 S * 4/2016 McGarry D4/101
 D757,439 S * 5/2016 Shigeno D4/101
 D758,079 S 6/2016 Since
 D758,080 S 6/2016 Since
 D758,736 S * 6/2016 Shigeno D4/101
 D759,382 S 6/2016 Watkins
 D761,567 S 7/2016 Uchida
 D766,580 S * 9/2016 Kollar D4/101
 D766,581 S * 9/2016 Bloch D4/101
 D767,895 S * 10/2016 Stebila D4/101
 D768,386 S 10/2016 Demarest et al.
 D773,192 S 12/2016 Nabavi
 D773,822 S * 12/2016 Sikora D4/101
 D774,144 S 12/2016 Fjelstad
 D775,288 S 12/2016 Spiegler
 D777,442 S 1/2017 White et al.
 D780,456 S * 3/2017 Shigeno D4/101
 D787,189 S 5/2017 Fretwell et al.
 9,668,598 B2 6/2017 Wartesian et al.
 D790,859 S * 7/2017 McGarry D4/101
 D790,861 S 7/2017 Demarest et al.
 D791,485 S * 7/2017 McGarry D4/101
 9,700,129 B2 7/2017 Follows et al.
 D795,419 S 8/2017 Kohler
 9,743,749 B2 8/2017 Follows et al.
 D798,060 S 9/2017 Shigeno et al.
 D799,217 S * 10/2017 Masee D4/101
 D799,756 S 10/2017 Fox
 D801,696 S * 11/2017 McGarry D4/101
 9,814,302 B2 11/2017 Follows et al.
 9,820,563 B2 11/2017 Follows et al.
 D804,918 S 12/2017 Lipford
 D806,228 S 12/2017 Yan
 9,839,284 B2 12/2017 Follows et al.
 D810,513 S 2/2018 McCoy et al.
 D814,195 S 4/2018 Sikora et al.
 2001/0034917 A1 11/2001 DuCey
 2004/0187889 A1 9/2004 Kemp et al.
 2006/0078844 A1 4/2006 Goldman et al.
 2006/0133885 A1 6/2006 Kaminski
 2009/0007357 A1 1/2009 Meadows et al.
 2012/0272468 A1 * 11/2012 Weisman C08L 23/02
 15/167.1

2013/0007969 A1 1/2013 Driesen et al.
 2013/0091645 A1 * 4/2013 Suwanbutr A61C 17/26
 15/23
 2014/0246049 A1 * 9/2014 Ikkink A46B 15/0002
 134/6
 2014/0259474 A1 9/2014 Sokol et al.
 2015/0150664 A1 6/2015 Crossman et al.
 2015/0230898 A1 * 8/2015 Miller A61C 17/221
 15/22.1
 2015/0310763 A1 10/2015 Miller et al.
 2016/0015163 A1 1/2016 Newman et al.
 2016/0157596 A1 6/2016 Fifield
 2016/0331113 A1 11/2016 Follows et al.
 2016/0331114 A1 * 11/2016 Follows A61C 17/02
 2016/0331115 A1 * 11/2016 Follows A61C 17/0202
 2016/0331116 A1 * 11/2016 Follows A46B 11/001
 2016/0331117 A1 * 11/2016 Follows A61C 17/02
 2016/0331497 A1 11/2016 Follows et al.
 2016/0331498 A1 * 11/2016 Follows A61C 17/227
 2017/0119510 A1 * 5/2017 Tomori A61C 17/224
 2018/0021116 A1 1/2018 Störkel et al.
 2018/0055212 A1 3/2018 Follows et al.
 2018/0084898 A1 3/2018 Vincent et al.
 2018/0085207 A1 3/2018 Tweedie et al.

FOREIGN PATENT DOCUMENTS

GB 2538308 11/2016
 GB 2538309 11/2016
 JP 1595568 1/2018
 JP 1595649 1/2018
 WO WO-2005/076818 8/2005

OTHER PUBLICATIONS

Courtney et al., U.S. Office Action dated May 16, 2018, directed to U.S. Appl. No. 29/602,351; 9 pages.
 Courtney et al., U.S. Office Action dated May 16, 2018, directed to U.S. Appl. No. 29/602,360; 7 pages.
 Courtney et al., U.S. Office Action dated Apr. 19, 2018, directed to U.S. Appl. No. 29/602,366; 14 pages.
 Courtney et al., U.S. Office Action dated Apr. 20, 2018, directed to U.S. Appl. No. 29/602,376; 16 pages.
 Courtney et al., U.S. Office Action dated Apr. 19, 2018, directed to U.S. Appl. No. 29/602,381; 17 pages.
 Courtney et al., U.S. Office Action dated May 18, 2018, directed to U.S. Appl. No. 29/602,340; 13 pages.
 Courtney et al., U.S. Office Action dated May 18, 2018, directed to U.S. Appl. No. 29/602,342; 12 pages.
 Courtney et al., U.S. Office Action dated May 16, 2018, directed to U.S. Appl. No. 29/602,345; 9 pages.
 Courtney et al., U.S. Office Action dated May 16, 2018, directed to U.S. Appl. No. 29/602,349; 9 pages.
 Courtney et al., U.S. Office Action dated May 16, 2018, directed to U.S. Appl. No. 29/602,319; 6 pages.
 Courtney et al., U.S. Office Action dated May 16, 2018, directed to U.S. Appl. No. 29/602,320; 6 pages.
 Courtney et al., U.S. Office Action dated May 16, 2018, directed to U.S. Appl. No. 29/602,323; 7 pages.
 Courtney et al., U.S. Office Action dated May 16, 2018, directed to U.S. Appl. No. 29/602,326; 7 pages.
 Courtney et al., U.S. Office Action dated Apr. 23, 2018, directed to U.S. Appl. No. 29/602,389; 16 pages.
 Courtney et al., U.S. Office Action dated Feb. 23, 2018, directed to U.S. Appl. No. 29/602,395; 10 pages.
 Courtney et al., U.S. Office Action dated Feb. 23, 2018, directed to U.S. Appl. No. 29/602,397; 10 pages.
 Courtney et al., U.S. Office Action dated Apr. 20, 2018, directed to U.S. Appl. No. 29/602,387; 17 pages.
 Courtney et al., U.S. Office Action dated Apr. 20, 2018, directed to U.S. Appl. No. 29/602,390; 17 pages.
 Courtney et al., U.S. Office Action dated Mar. 8, 2018, directed to U.S. Appl. No. 29/602,391; 12 pages.

(56)

References Cited

OTHER PUBLICATIONS

Courtney et al., U.S. Office Action dated Mar. 8, 2018, directed to U.S. Appl. No. 29/602,393; 9 pages.

Courtney et al., U.S. Office Action dated Feb. 22, 2018, directed to U.S. Appl. No. 29/602,394; 16 pages.

Courtney et al., U.S. Office Action dated Feb. 22, 2018, directed to U.S. Appl. No. 29/602,396; 17 pages.

Courtney et al., U.S. Office Action dated Feb. 22, 2018, directed to U.S. Appl. No. 29/602,402; 20 pages.

Courtney et al., U.S. Office Action dated Feb. 22, 2018, directed to U.S. Appl. No. 29/602,403; 20 pages.

Courtney et al., U.S. Office Action dated Feb. 21, 2018, directed to U.S. Appl. No. 29/602,405; 7 pages.

Courtney et al., U.S. Office Action dated Feb. 21, 2018, directed to U.S. Appl. No. 29/602,407; 7 pages.

Courtney et al., U.S. Office Action dated Feb. 22, 2018, directed to U.S. Appl. No. 29/602,409; 16 pages.

Courtney et al., U.S. Office Action dated Feb. 23, 2018, directed to U.S. Appl. No. 29/602,411; 17 pages.

Courtney et al., U.S. Office Action dated May 17, 2018, directed to U.S. Appl. No. 29/602,327; 14 pages.

Courtney et al., U.S. Office Action dated Apr. 25, 2018, directed to U.S. Appl. No. 29/602,330; 10 pages.

Courtney et al., U.S. Office Action dated Apr. 25, 2018, directed to U.S. Appl. No. 29/602,339; 11 pages.

Courtney et al., U.S. Office Action dated Feb. 21, 2018, directed to U.S. Appl. No. 29/602,416; 8 pages.

Courtney et al., U.S. Office Action dated Feb. 21, 2018, directed to U.S. Appl. No. 29/602,418; 8 pages.

Courtney et al., U.S. Office Action dated May 18, 2018, directed to U.S. Appl. No. 29/602,355; 12 pages.

Courtney et al., U.S. Office Action dated May 18, 2018, directed to U.S. Appl. No. 29/602,357; 11 pages.

Courtney et al., U.S. Office Action dated Apr. 19, 2018, directed to U.S. Appl. No. 29/602,367; 13 pages.

Courtney et al., U.S. Office Action dated May 25, 2018, directed to U.S. Appl. No. 29/602,422; 15 pages.

Courtney et al., U.S. Office Action dated Apr. 19, 2018, directed to U.S. Appl. No. 29/602,370; 16 pages.

Courtney et al., U.S. Office Action dated Apr. 23, 2018, directed to U.S. Appl. No. 29/602,374; 16 pages.

Courtney et al., U.S. Office Action dated Apr. 19, 2018, directed to U.S. Appl. No. 29/602,378; 14 pages.

Courtney et al., U.S. Office Action dated Apr. 20, 2018, directed to U.S. Appl. No. 29/602,384; 14 pages.

Courtney et al., U.S. Office Action dated Apr. 20, 2018, directed to U.S. Appl. No. 29/602,388; 15 pages.

Courtney et al., U.S. Office Action dated Apr. 20, 2018, directed to U.S. Appl. No. 29/602,386; 14 pages.

Courtney et al., U.S. Office Action dated Mar. 7, 2018, directed to U.S. Appl. No. 29/602,426; 11 pages.

Courtney et al., U.S. Office Action dated Mar. 8, 2018, directed to U.S. Appl. No. 29/602,427; 12 pages.

Courtney et al., U.S. Office Action dated Mar. 8, 2018, directed to U.S. Appl. No. 29/602,430; 12 pages.

Courtney et al., U.S. Office Action dated Mar. 8, 2018, directed to U.S. Appl. No. 29/602,431; 11 pages.

Courtney et al., U.S. Office Action dated Mar. 8, 2018, directed to U.S. Appl. No. 29/602,435; 12 pages.

Courtney et al., U.S. Office Action dated Mar. 8, 2018, directed to U.S. Appl. No. 29/602,436; 10 pages.

Courtney et al., U.S. Office Action dated Mar. 8, 2018, directed to U.S. Appl. No. 29/602,385; 10 pages.

Courtney et al., U.S. Office Action dated Mar. 8, 2018, directed to U.S. Appl. No. 29/602,383; 10 pages.

Courtney et al., U.S. Office Action dated Apr. 19, 2018, directed to U.S. Appl. No. 29/602,382; 14 pages.

Courtney et al., U.S. Office Action dated Mar. 8, 2018, directed to U.S. Appl. No. 29/602,437; 11 pages.

Courtney et al., U.S. Office Action dated Mar. 8, 2018, directed to U.S. Appl. No. 29/602,438; 12 pages.

Courtney et al., U.S. Office Action dated Apr. 19, 2018, directed to U.S. Appl. No. 29/602,369; 16 pages.

Courtney et al., U.S. Office Action dated May 16, 2018, directed to U.S. Appl. No. 29/602,365; 10 pages.

Courtney et al., U.S. Office Action dated May 16, 2018, directed to U.S. Appl. No. 29/602,363; 10 pages.

Courtney et al., U.S. Office Action dated May 16, 2018, directed to U.S. Appl. No. 29/602,359; 8 pages.

Courtney et al., U.S. Office Action dated May 16, 2018, directed to U.S. Appl. No. 29/602,347; 8 pages.

Courtney et al., U.S. Office Action dated May 16, 2018, directed to U.S. Appl. No. 29/602,344; 7 pages.

Courtney et al., U.S. Office Action dated May 18, 2018, directed to U.S. Appl. No. 29/602,341; 16 pages.

Courtney et al., U.S. Office Action dated May 18, 2018, directed to U.S. Appl. No. 29/602,333; 14 pages.

Courtney et al., U.S. Office Action dated May 18, 2018, directed to U.S. Appl. No. 29/602,331; 13 pages.

Courtney et al., U.S. Office Action dated May 18, 2018, directed to U.S. Appl. No. 29/602,328; 15 pages.

Courtney et al., U.S. Office Action dated Apr. 25, 2018, directed to U.S. Appl. No. 29/602,325; 13 pages.

Courtney et al., U.S. Office Action dated Apr. 25, 2018, directed to U.S. Appl. No. 29/602,321; 13 pages.

Courtney et al., U.S. Office Action dated Mar. 8, 2018, directed to U.S. Appl. No. 29/602,440; 12 pages.

Pettit, H. (Nov. 24, 2016). "Dyson's next device could be a smart Toothbrush that flosses your teeth with high-powered jets of water," located at <<http://www.dailymail.co.uk/sciencetech/article-3968756/Dyson-s-invention-smart-TOOTHBRUSH-flosses-teeth-water-clean-them.html>> (5 pages).

Love, J. (Nov. 27, 2016). "Dyson is designing an electric toothbrush," located at <<http://www.electriceeth.co.uk/dyson-is-designing-an-electric-toothbrush/>> (13 pages).

* cited by examiner

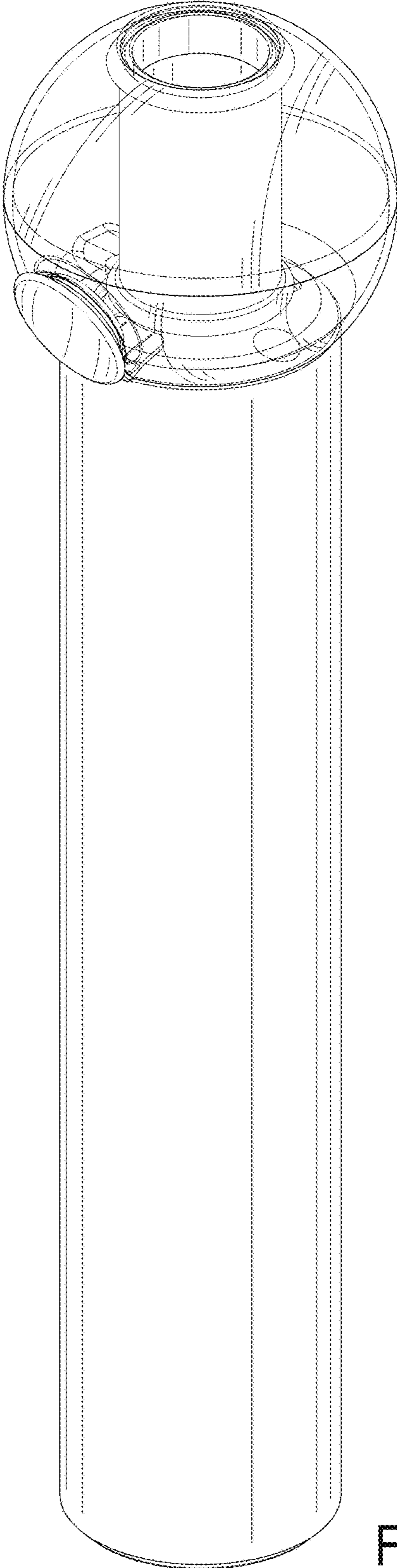


FIG. 1

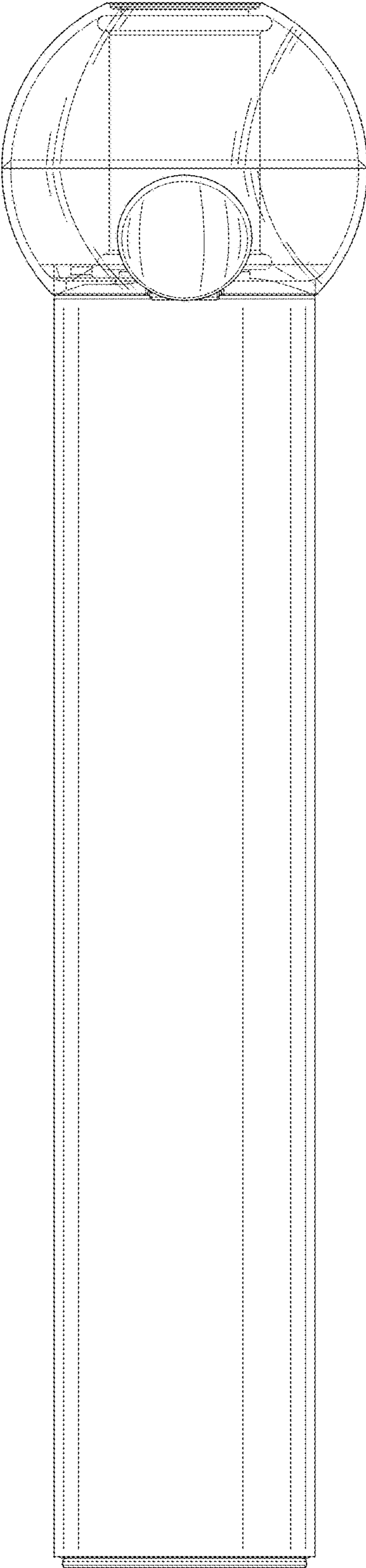


FIG. 2

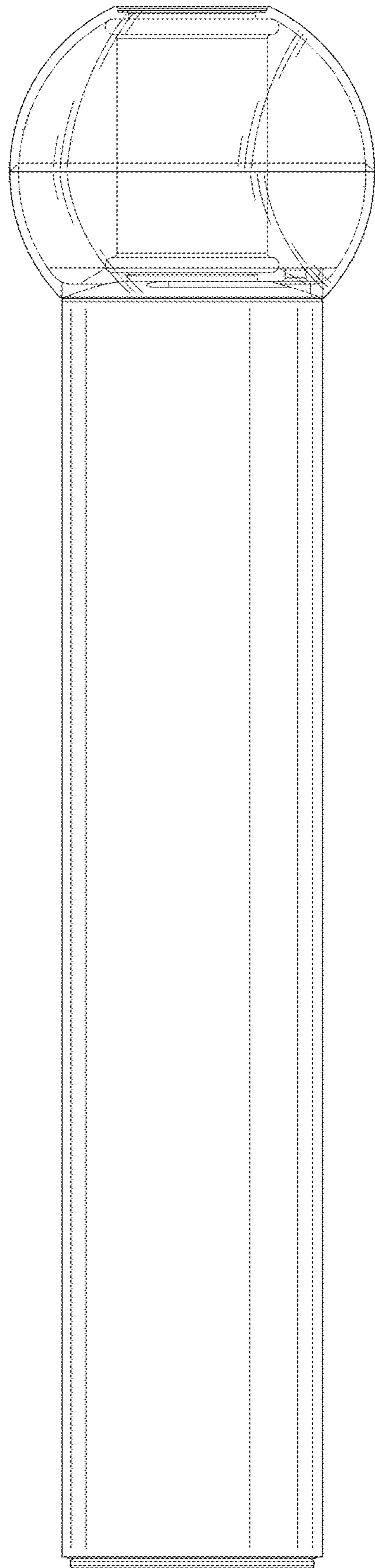


FIG. 3

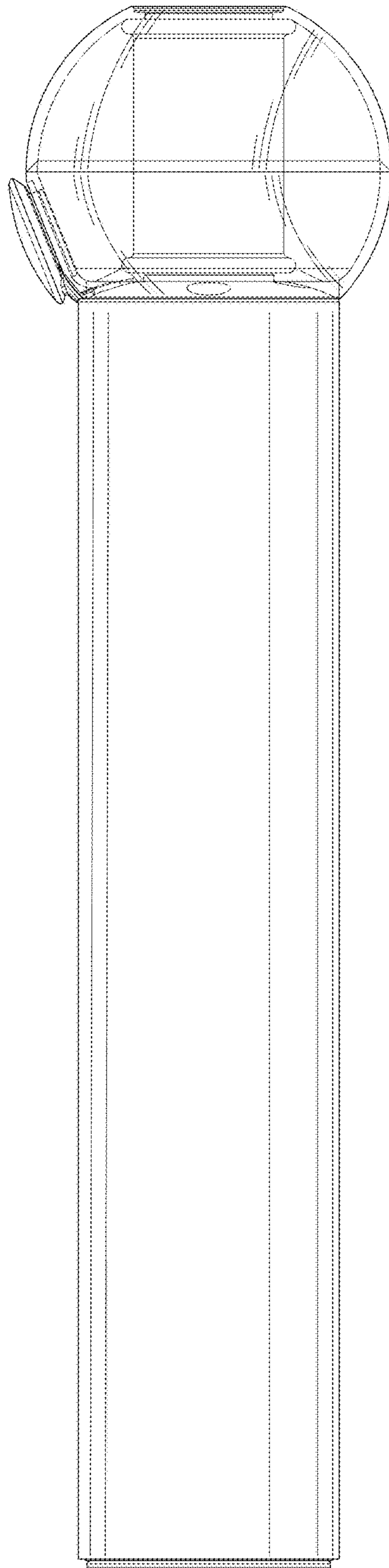


FIG. 4

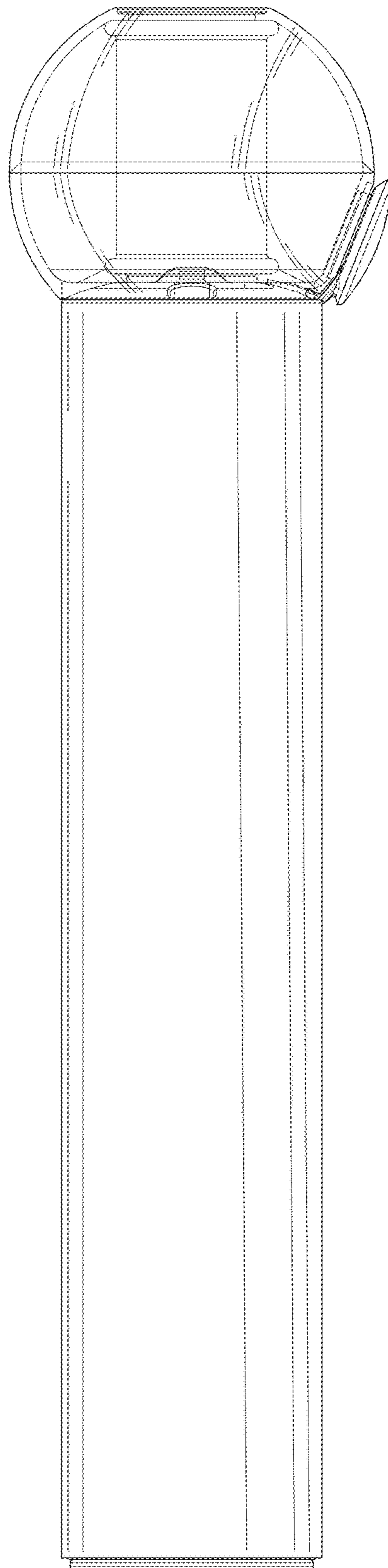


FIG. 5

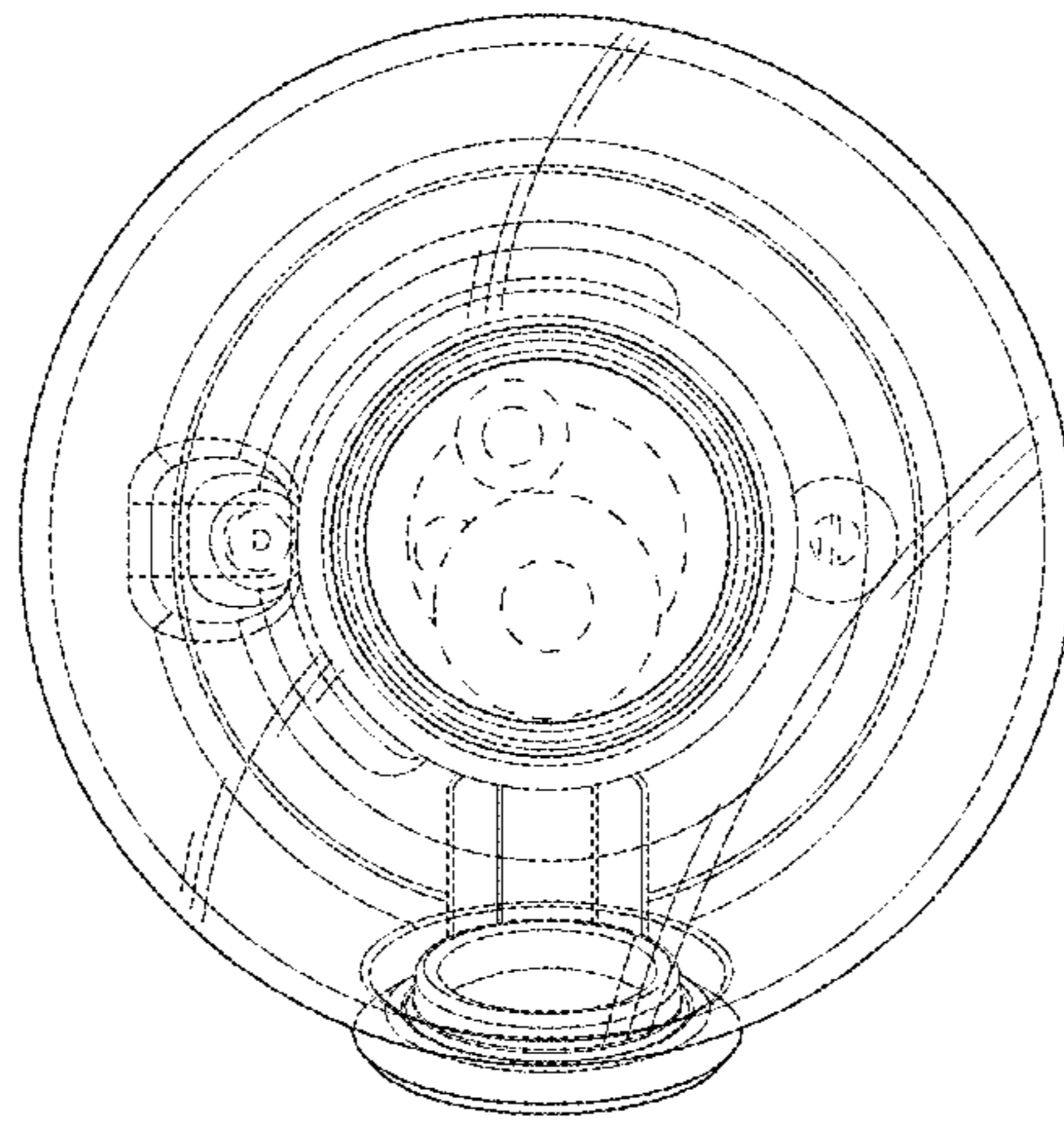


FIG. 6

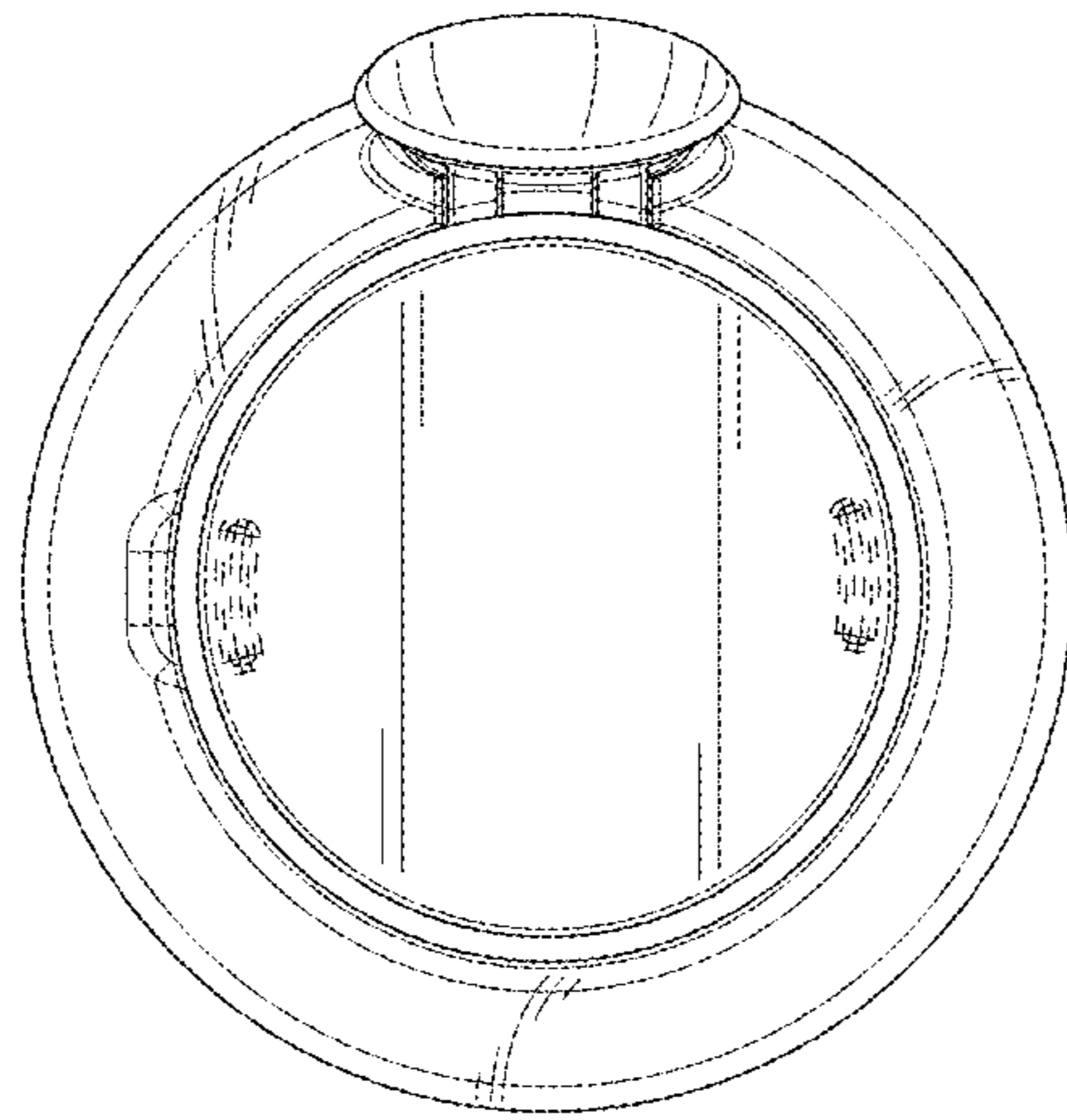


FIG. 7