



US00D836344S

(12) **United States Design Patent** (10) **Patent No.:** **US D836,344 S**
Keong (45) **Date of Patent:** **** Dec. 25, 2018**

- (54) **HAIR BRUSH**
- (71) Applicant: **KENFORD INDUSTRIAL COMPANY LIMITED, N. T. (HK)**
- (72) Inventor: **Wai Ho Michael Keong, N. T. (HK)**
- (73) Assignee: **KENFORD INDUSTRIAL COMPANY LIMITED, N. T. (HK)**
- (**) Term: **15 Years**
- (21) Appl. No.: **29/630,106**
- (22) Filed: **Dec. 19, 2017**
- (51) **LOC (11) Cl.** **04-02**
- (52) **U.S. Cl.**
USPC **D4/100**
- (58) **Field of Classification Search**
USPC D4/100, 108, 110, 111, 116, 127, 132,
D4/136, 199; D28/9, 10, 13, 15, 21, 24,
D28/38
See application file for complete search history.

- D816,346 S * 5/2018 Zhou D4/100
- D817,007 S * 5/2018 Guy-Rabi A46B 9/06
D4/136
- D821,649 S * 6/2018 Qin D28/35
- D821,754 S * 7/2018 Huang D4/100
- 2016/0227898 A1* 8/2016 Wu A45D 2/002
- 2017/0290733 A1* 10/2017 Lin A45D 1/04
- 2018/0125223 A1* 5/2018 Exley A46B 15/003

* cited by examiner

Primary Examiner — Wan Laymon
Assistant Examiner — Clint A Samuel
 (74) *Attorney, Agent, or Firm* — Rabin & Berdo, P.C.

(57) **CLAIM**

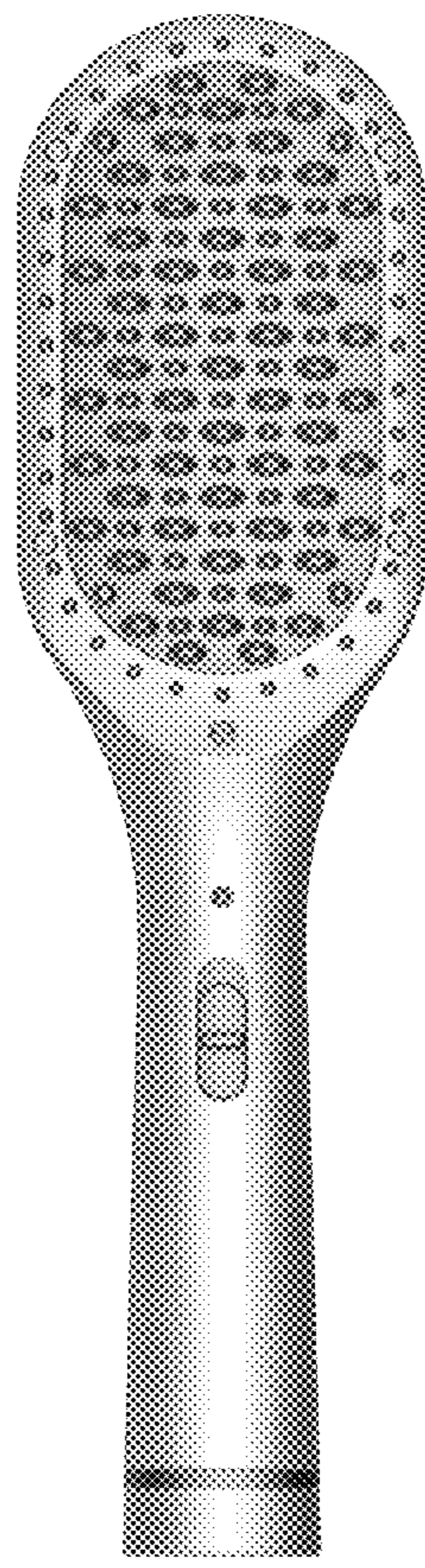
The ornamental design for a hair brush, as shown and described.

DESCRIPTION

FIG. 1 is a front view of a hair brush showing my new design;
 FIG. 2 is a rear view thereof;
 FIG. 3 is a top plan view thereof;
 FIG. 4 is a bottom plan view thereof;
 FIG. 5 is a right side view thereof;
 FIG. 6 is a front and left side perspective view thereof; and,
 FIG. 7 is a rear and right side perspective view thereof.

1 Claim, 3 Drawing Sheets

- (56) **References Cited**
U.S. PATENT DOCUMENTS
D322,892 S * 1/1992 Kwok-Fai Au D4/100
D795,595 S * 8/2017 Exley D4/121



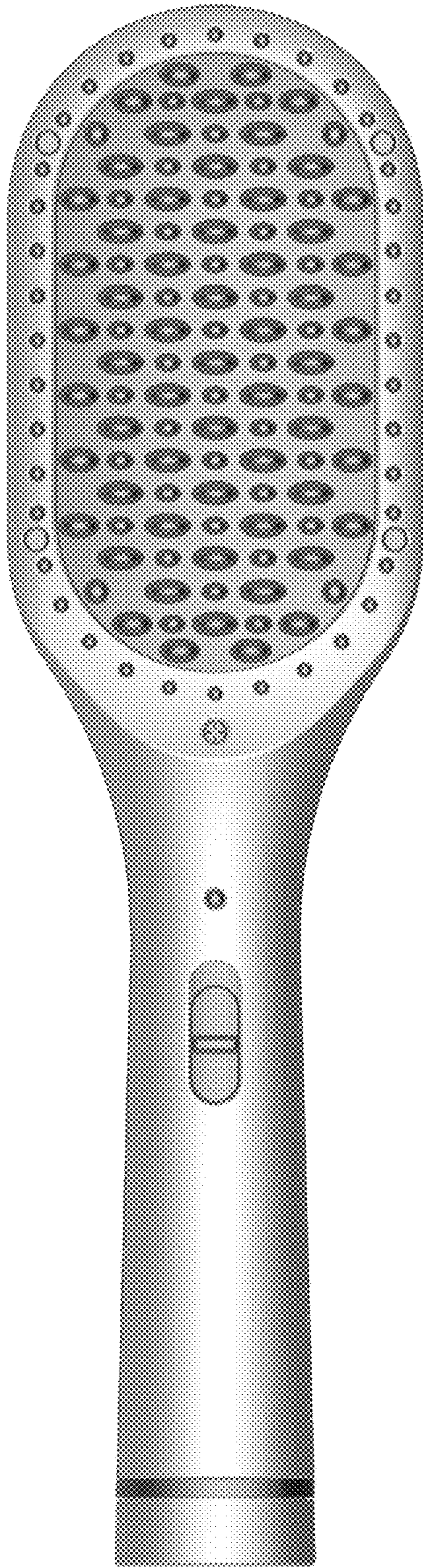


Fig. 1

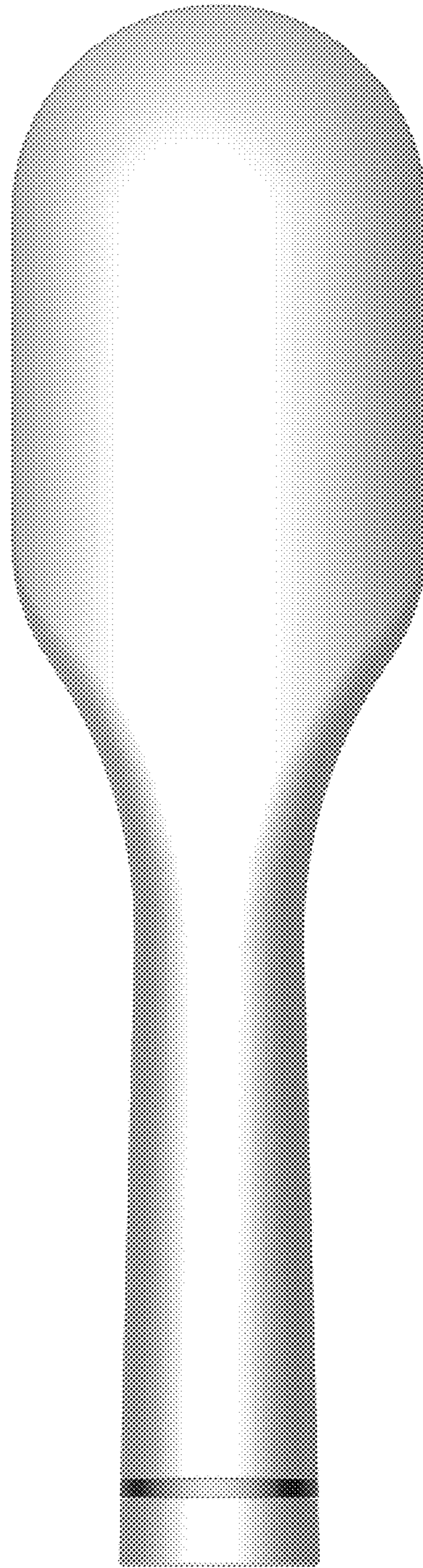


Fig. 2

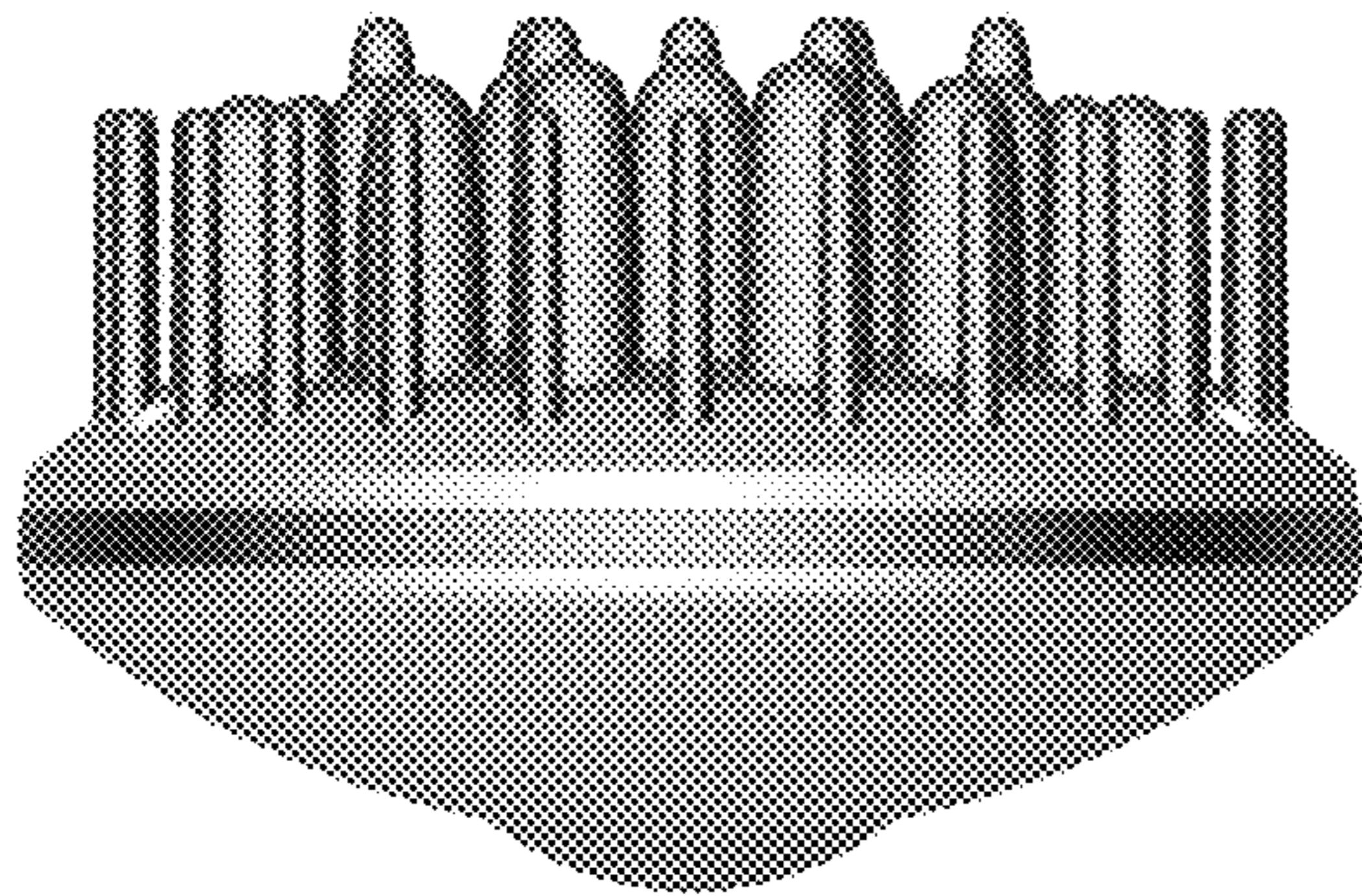


Fig. 3

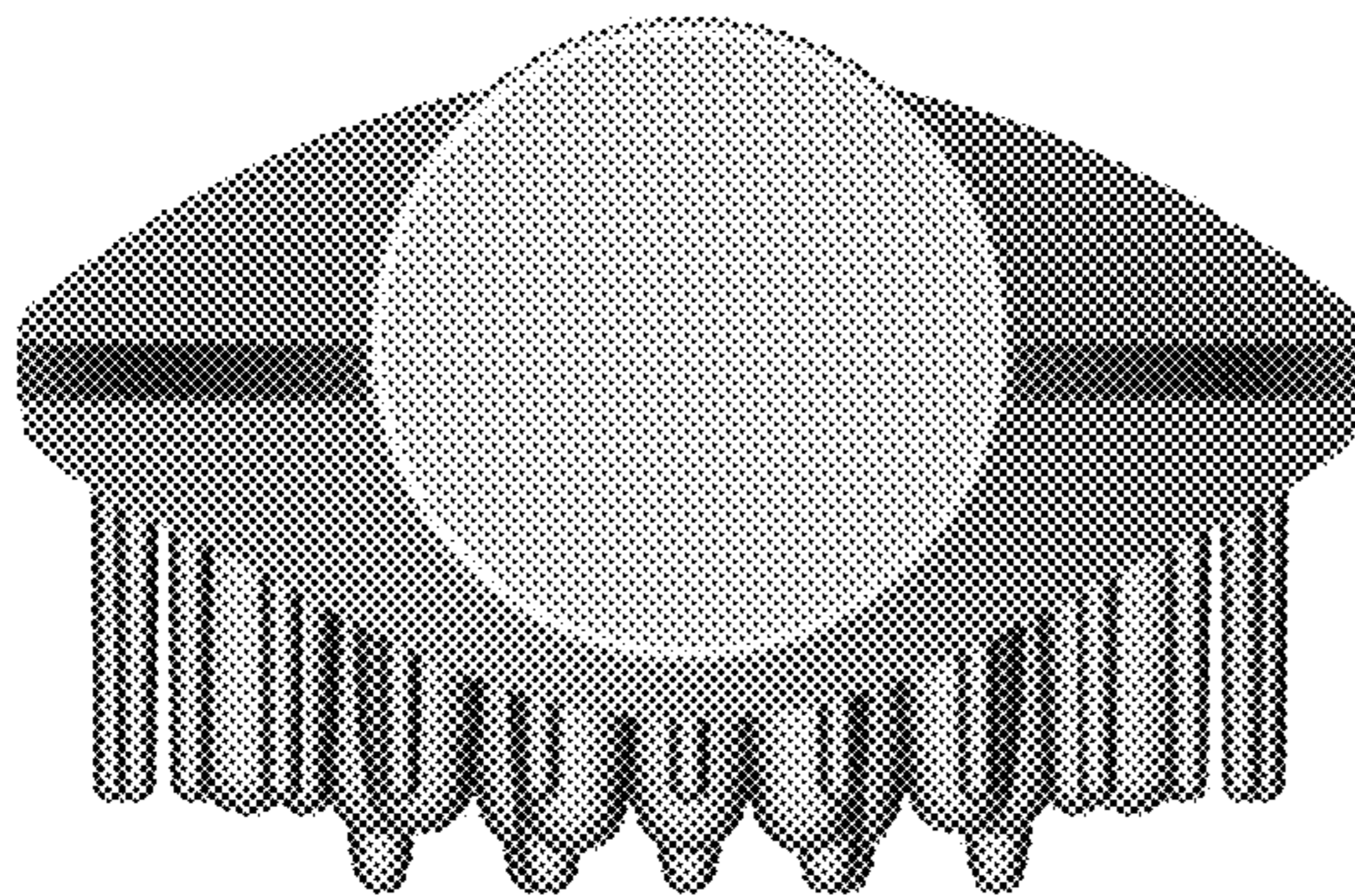


Fig. 4

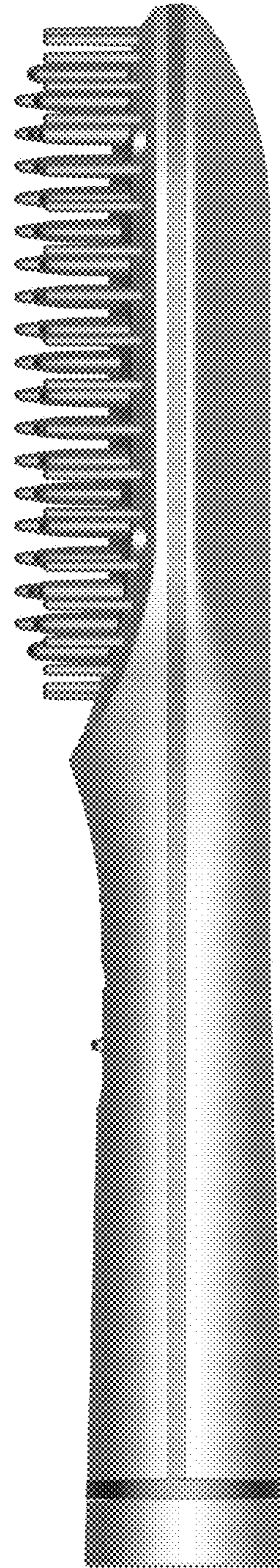


Fig. 5

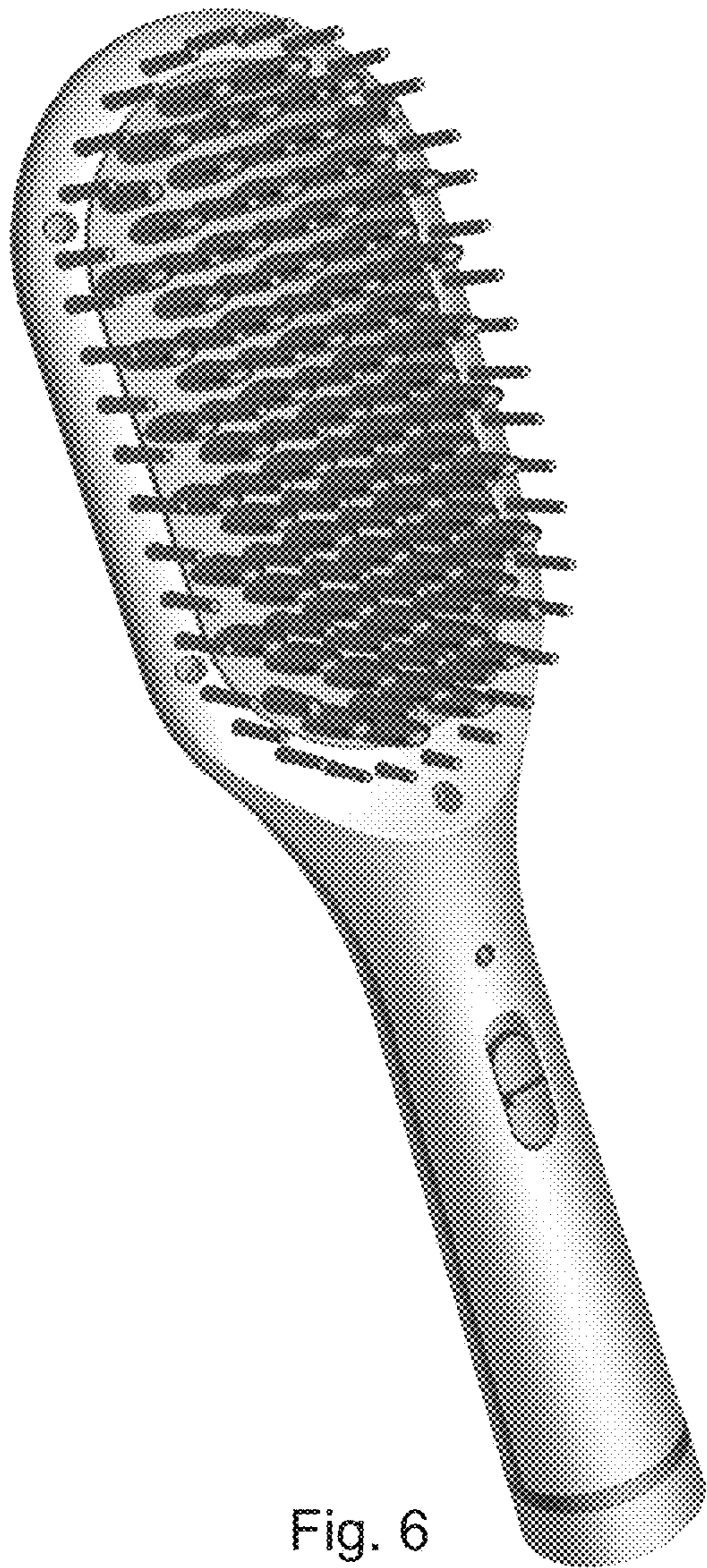


Fig. 6

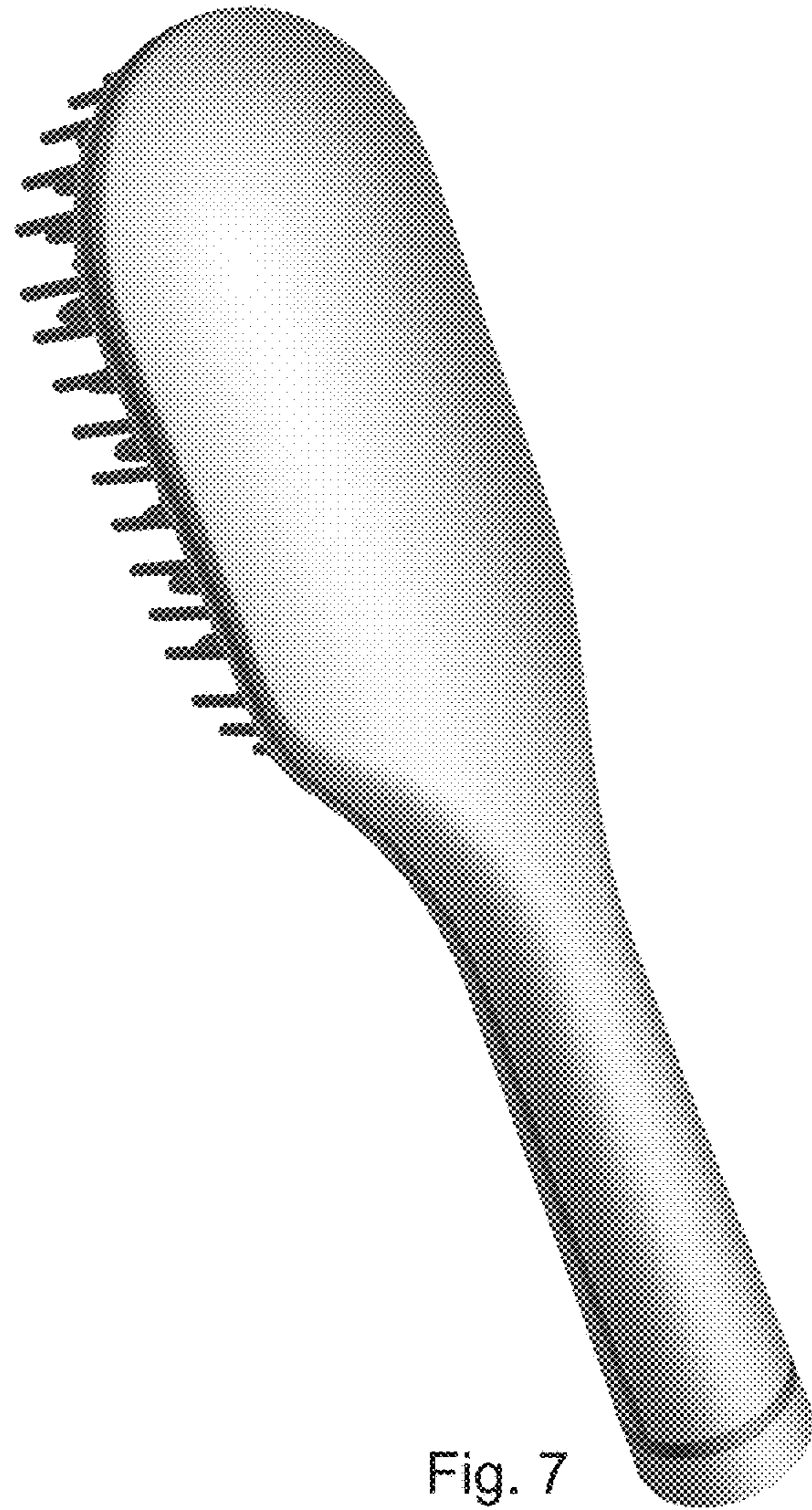


Fig. 7