



US00D836343S

(12) **United States Design Patent** (10) **Patent No.:** **US D836,343 S**  
**Lopez Montoya** (45) **Date of Patent:** **\*\* Dec. 25, 2018**

(54) **CLASP**  
(71) Applicant: **Bulgari S.p.A.**, Rome (IT)  
(72) Inventor: **Mireia Lopez Montoya**, Florence (IT)  
(73) Assignee: **Bulgari S.p.A.**, Rome (IT)  
(\*\*) Term: **15 Years**

D523,726 S \* 6/2006 Weirnerman ..... D8/306  
D524,045 S \* 7/2006 Handley ..... D3/243  
D539,533 S \* 4/2007 Fusi ..... D3/243  
D581,664 S \* 12/2008 Gerbi ..... D3/243  
D588,359 S \* 3/2009 Gonzalez ..... D3/243  
D609,468 S \* 2/2010 Dolce ..... D3/243  
D726,409 S \* 4/2015 Fusi ..... D3/243  
D780,448 S \* 3/2017 Nair ..... D3/243  
D789,684 S \* 6/2017 Michele ..... D3/232  
D800,449 S \* 10/2017 Nair ..... D3/243

(21) Appl. No.: **29/614,398**

\* cited by examiner

(22) Filed: **Aug. 18, 2017**

*Primary Examiner* — Holly H Baynham

(30) **Foreign Application Priority Data**

(74) *Attorney, Agent, or Firm* — Stephen J. Kenny; Peter A. Sullivan; Foley Hoag LLP

Feb. 20, 2017 (WO) ..... DM/095285

(51) **LOC (11) Cl.** ..... **03-01**

(52) **U.S. Cl.**  
USPC ..... **D3/318**

(57) **CLAIM**

(58) **Field of Classification Search**  
USPC ..... D3/232, 243, 318; D8/306–307, 310;  
D11/111

The ornamental design for a clasp, as shown and described.

CPC ..... A45C 1/024; A45C 3/06; A44B 19/00;  
A44B 19/02; A44B 19/04; A44B 19/10;  
A44B 19/24; A44B 19/26; A44B 19/30;  
A44B 19/06; A47B 95/04; A47B 88/04;  
A47B 95/02

**DESCRIPTION**

See application file for complete search history.

FIG. 1 is a perspective view of the clasp showing my new design.

FIG. 2 is a left side view thereof.

FIG. 3 is a right side view thereof.

FIG. 4 is a front view thereof.

FIG. 5 is a back view thereof.

FIG. 6 is a top view thereof; and,

FIG. 7 is a bottom view thereof.

(56) **References Cited**

**U.S. PATENT DOCUMENTS**

3,191,215 A \* 6/1965 Watt, Jr. .... A47B 95/02  
16/420  
D246,422 S \* 11/1977 Clayton ..... D8/307

**1 Claim, 7 Drawing Sheets**

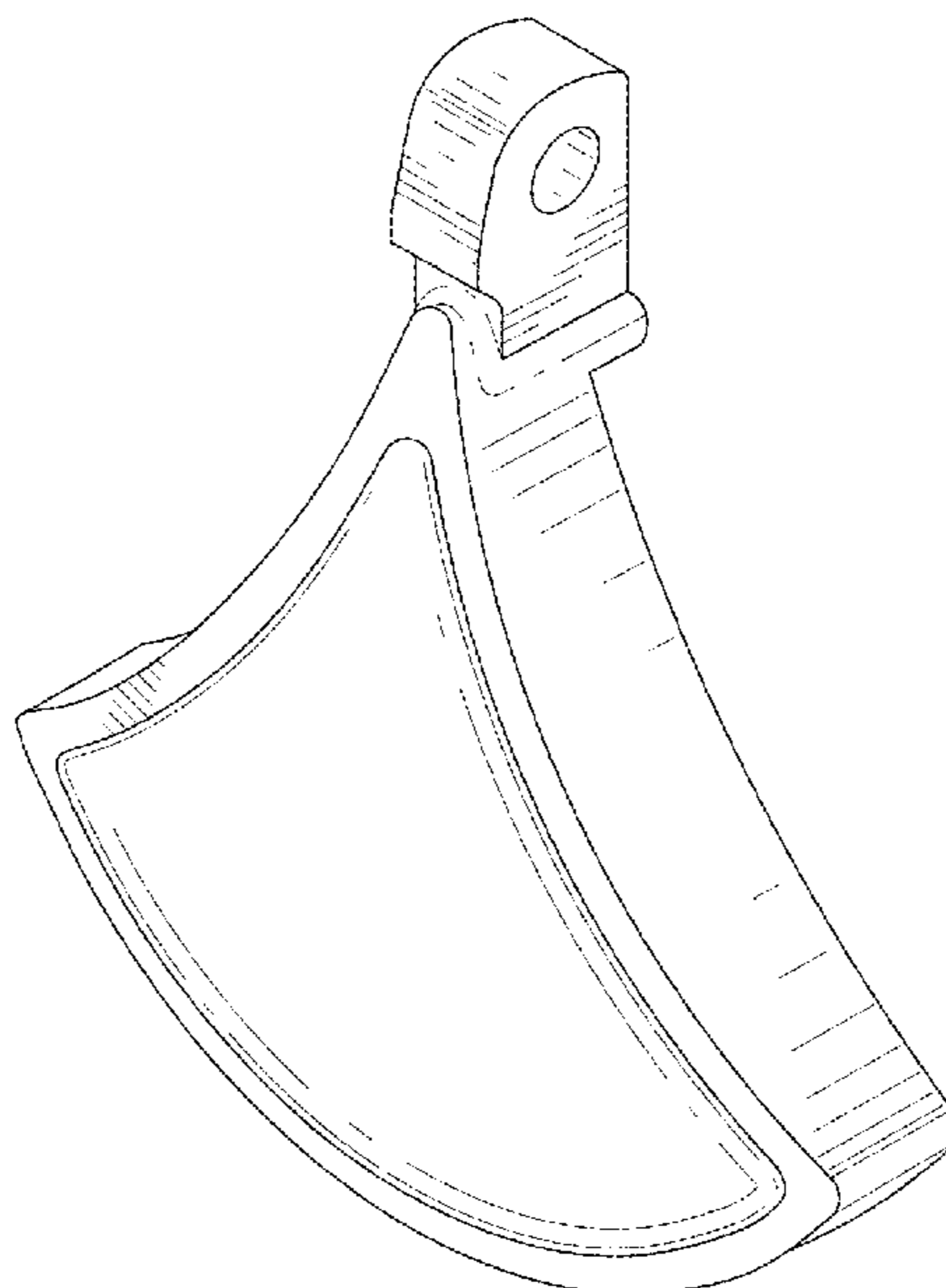




FIG. 1

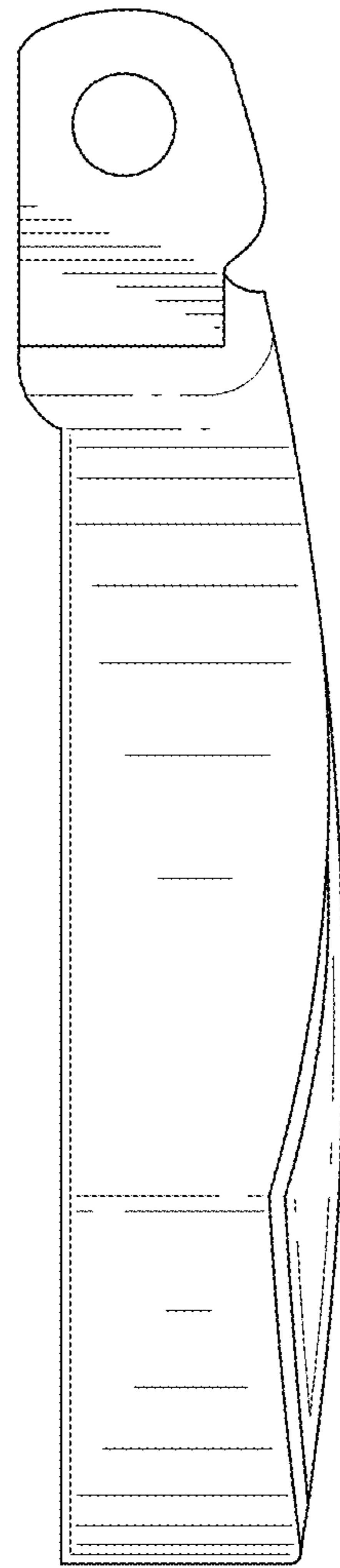


FIG. 2

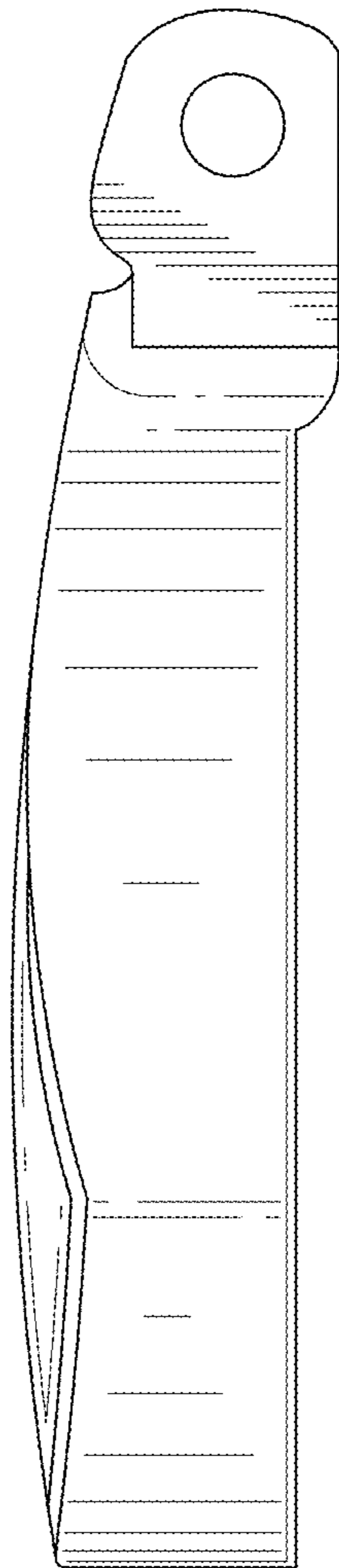


FIG. 3

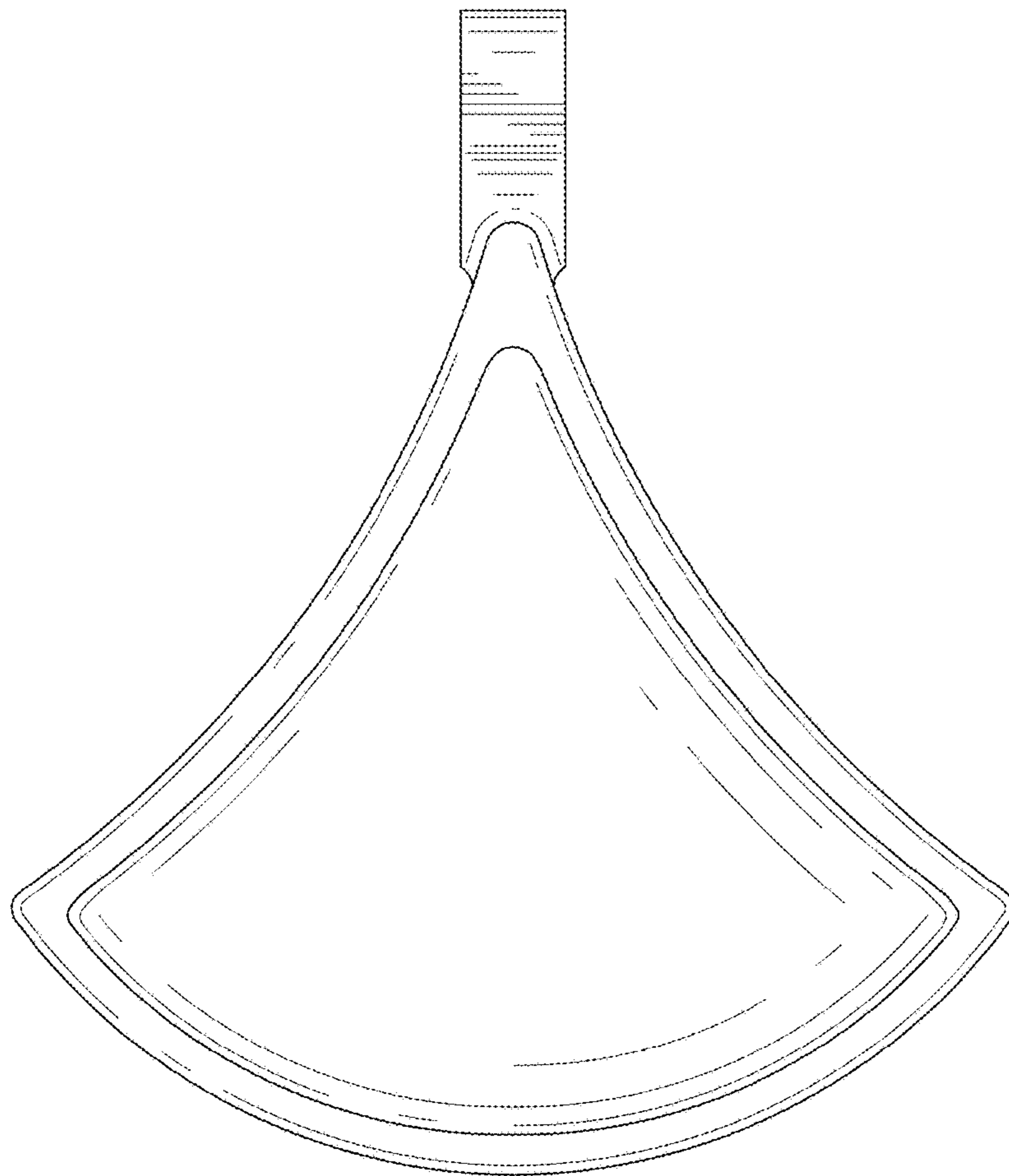


FIG.4

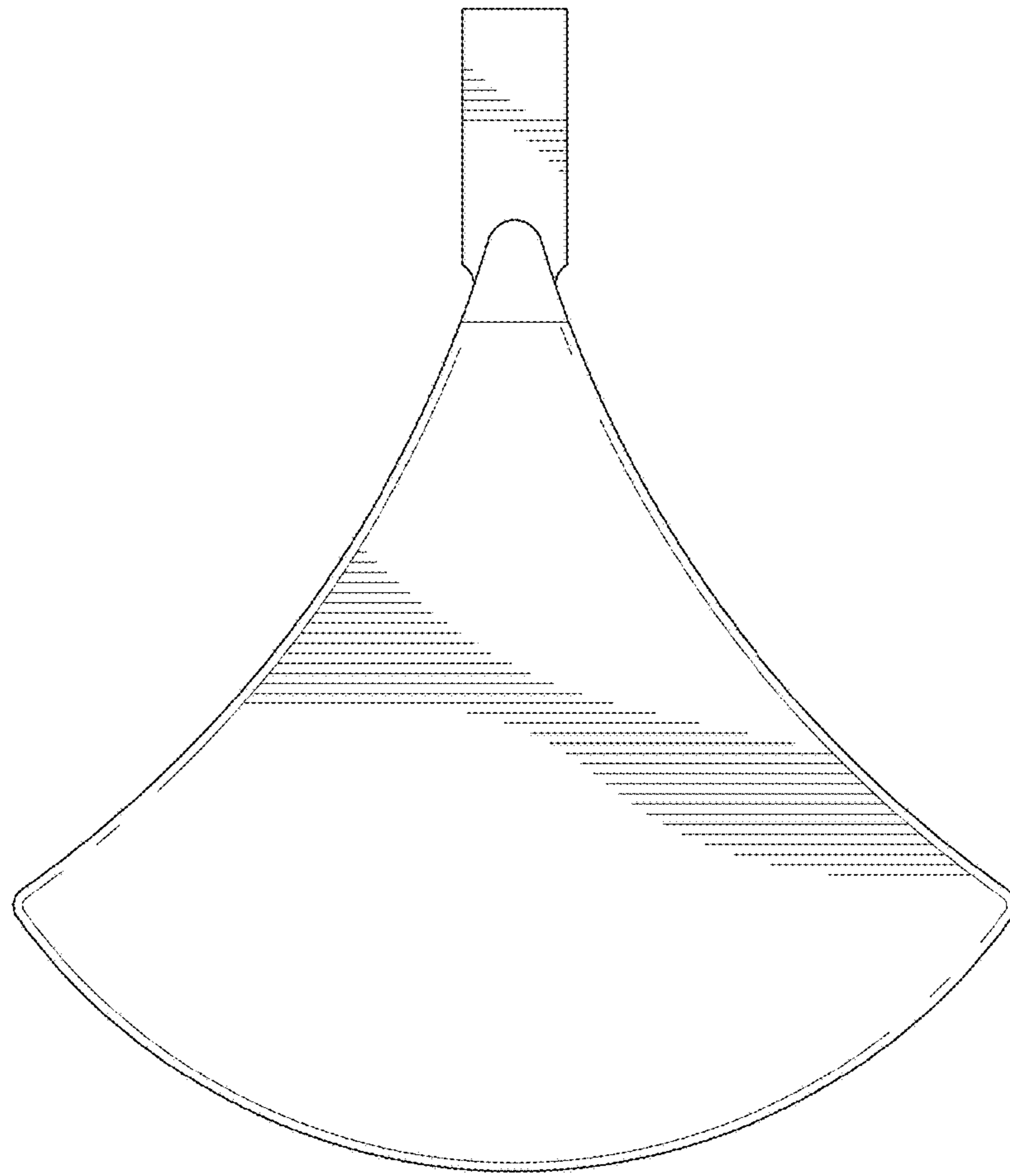


FIG.5

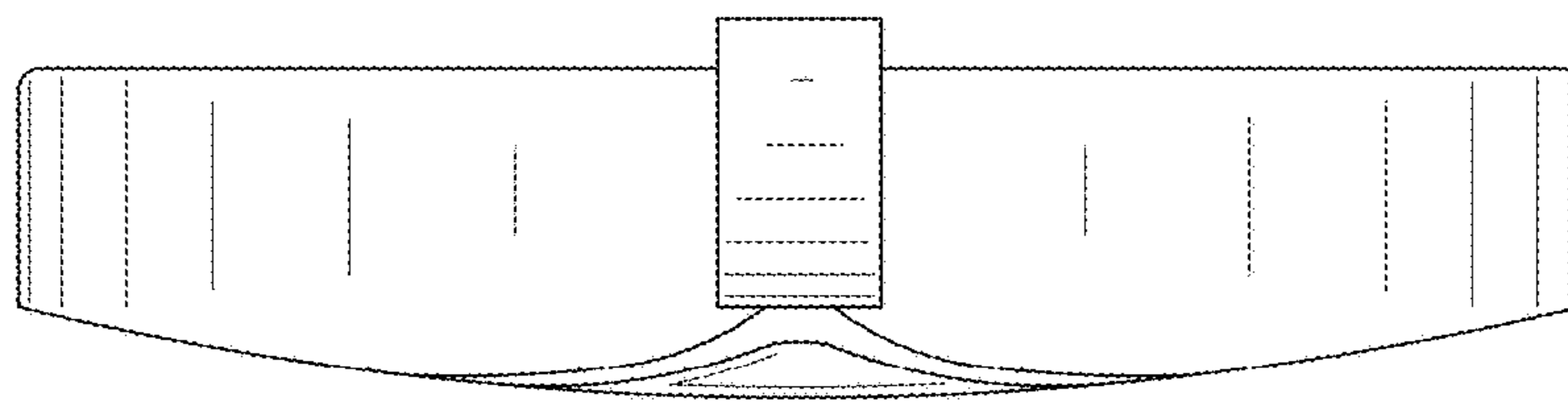


FIG.6

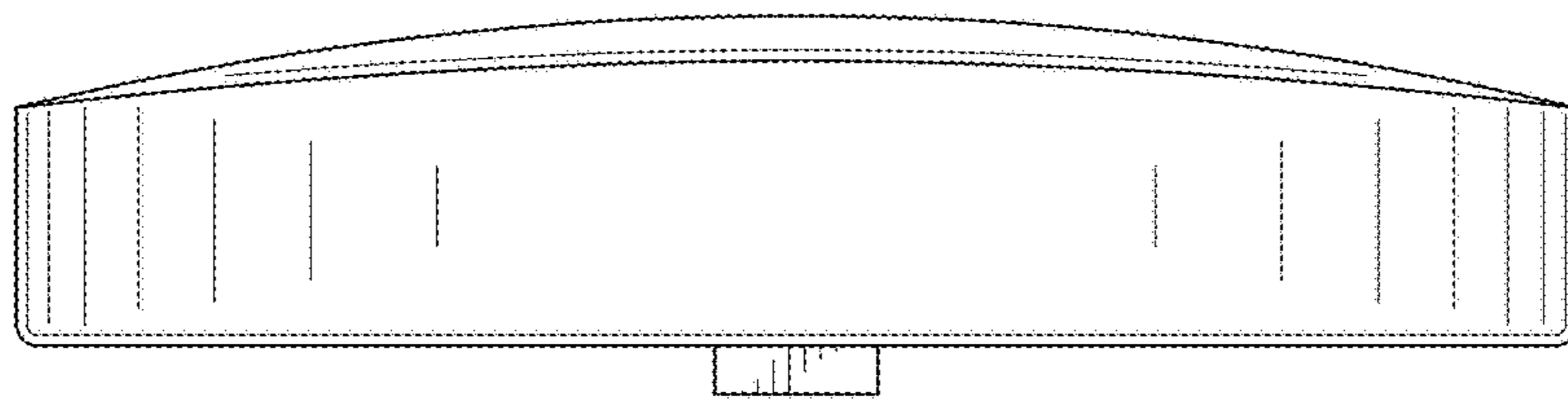


FIG. 7