



US00D836342S

(12) **United States Design Patent** (10) **Patent No.:** **US D836,342 S**
Fusi (45) **Date of Patent:** **** Dec. 25, 2018**

(54) **CLASP FOR BAG**

(71) Applicant: **FURLA S.p.A.**, San Lazzaro di Savena (IT)

(72) Inventor: **Fabio Fusi**, Tavarnelle Val di Pesa (IT)

(73) Assignee: **FURLA S.p.A.** (IT)

(**) Term: **15 Years**

(21) Appl. No.: **29/612,866**

(22) Filed: **Aug. 4, 2017**

(30) **Foreign Application Priority Data**

Feb. 6, 2017 (EM) 003741685

(51) **LOC (11) Cl.** **03-01**

(52) **U.S. Cl.**
USPC **D3/318**

(58) **Field of Classification Search**
USPC D3/232, 243, 318
CPC A45C 1/024; A45C 3/06; A45C 11/18;
A45C 11/182
See application file for complete search history.

(56) **References Cited**

U.S. PATENT DOCUMENTS

D426,952 S * 6/2000 Zebe, Jr. D3/232
D524,045 S * 7/2006 Handley D3/243

D558,979 S * 1/2008 Wu D3/318
D607,639 S * 1/2010 Carella D3/243
D701,046 S * 3/2014 Ford D3/318
D772,564 S * 11/2016 Michele D3/243
D778,599 S * 2/2017 Heyman D3/243

* cited by examiner

Primary Examiner — Holly H Baynham
(74) *Attorney, Agent, or Firm* — Saidman DesignLaw Group, LLC

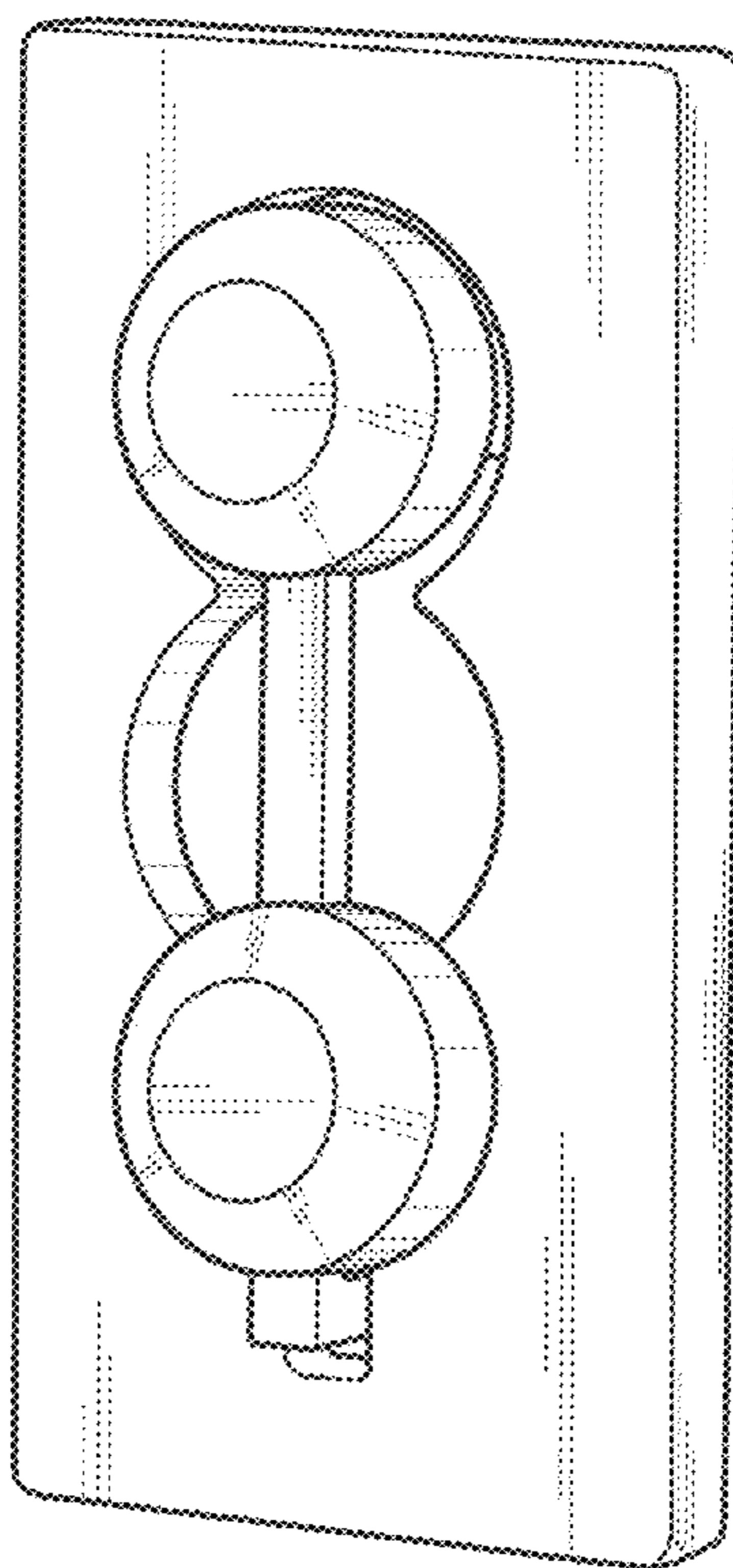
(57) **CLAIM**

The ornamental design for a clasp for bag, as shown and described.

DESCRIPTION

FIG. 1 is a perspective view of a clasp for bag showing my new design;
FIG. 2 is a front view thereof;
FIG. 3 is a rear view thereof;
FIG. 4 is a left side view thereof;
FIG. 5 is a right side view thereof;
FIG. 6 is a top view thereof;
FIG. 7 is a bottom view thereof;
FIG. 8 is a perspective view thereof shown in a different position; and,
FIG. 9 is a perspective view thereof shown in a different position.
The drawings include surface shading which represents contour and not surface ornamentation.

1 Claim, 8 Drawing Sheets



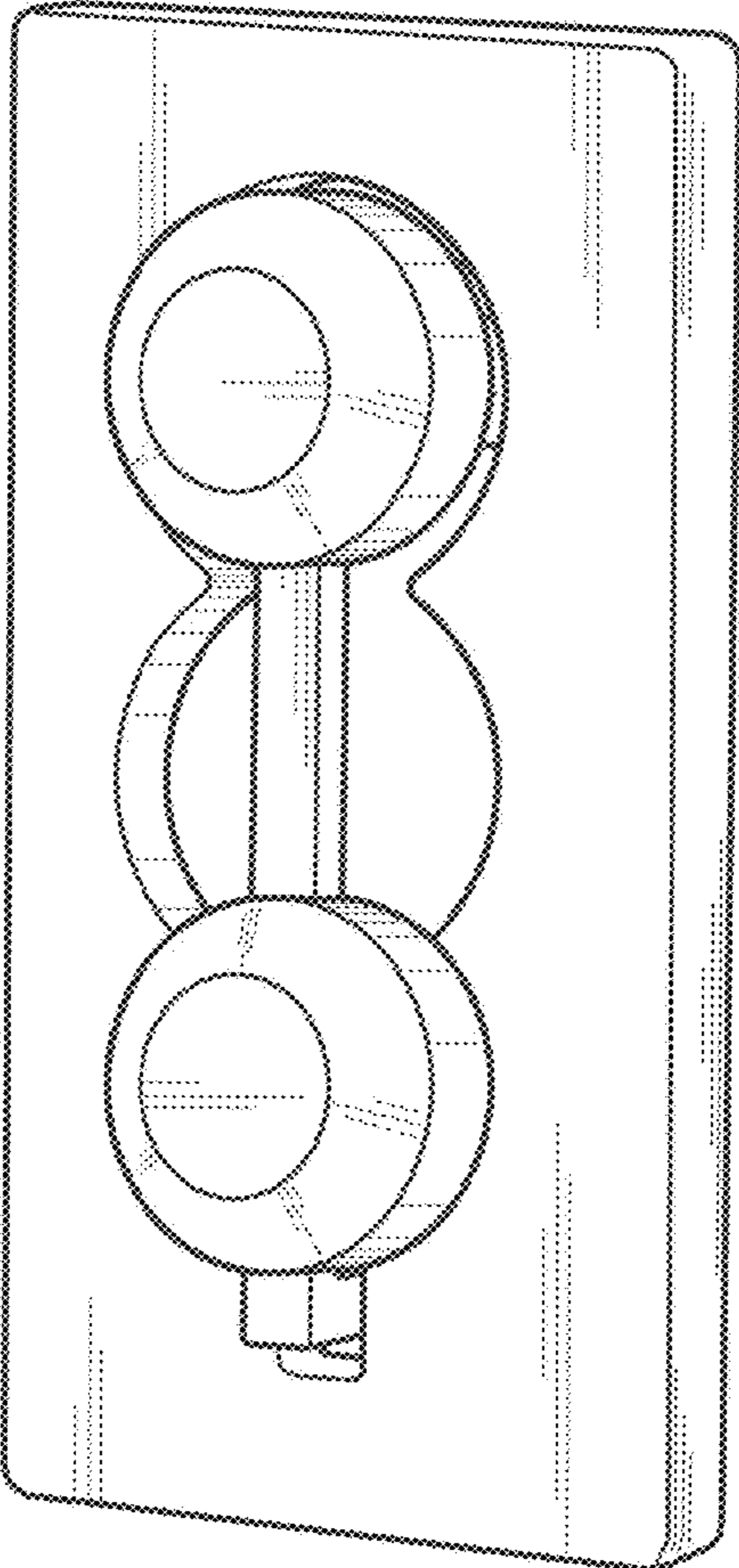


FIG. 1

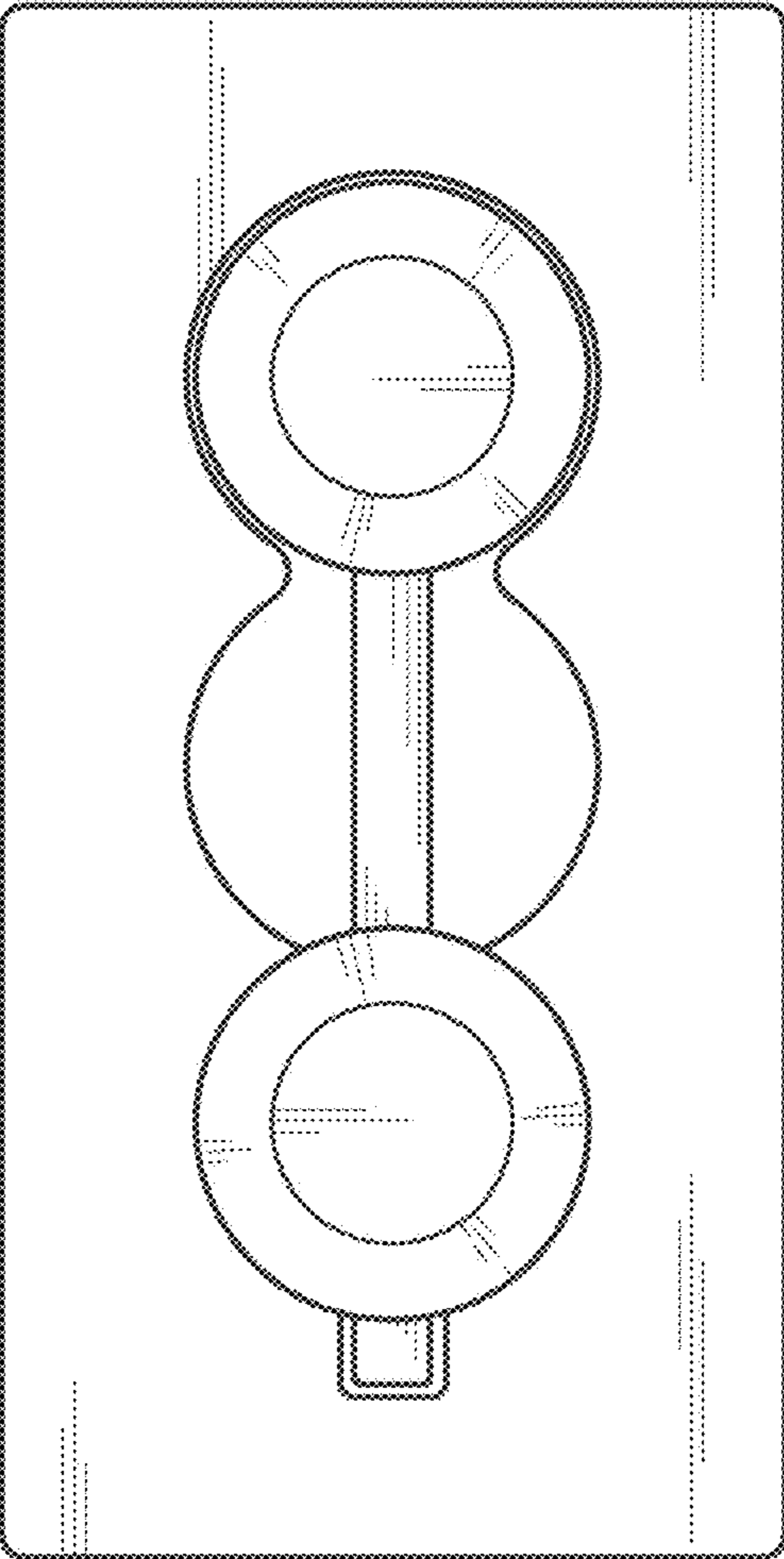


FIG. 2

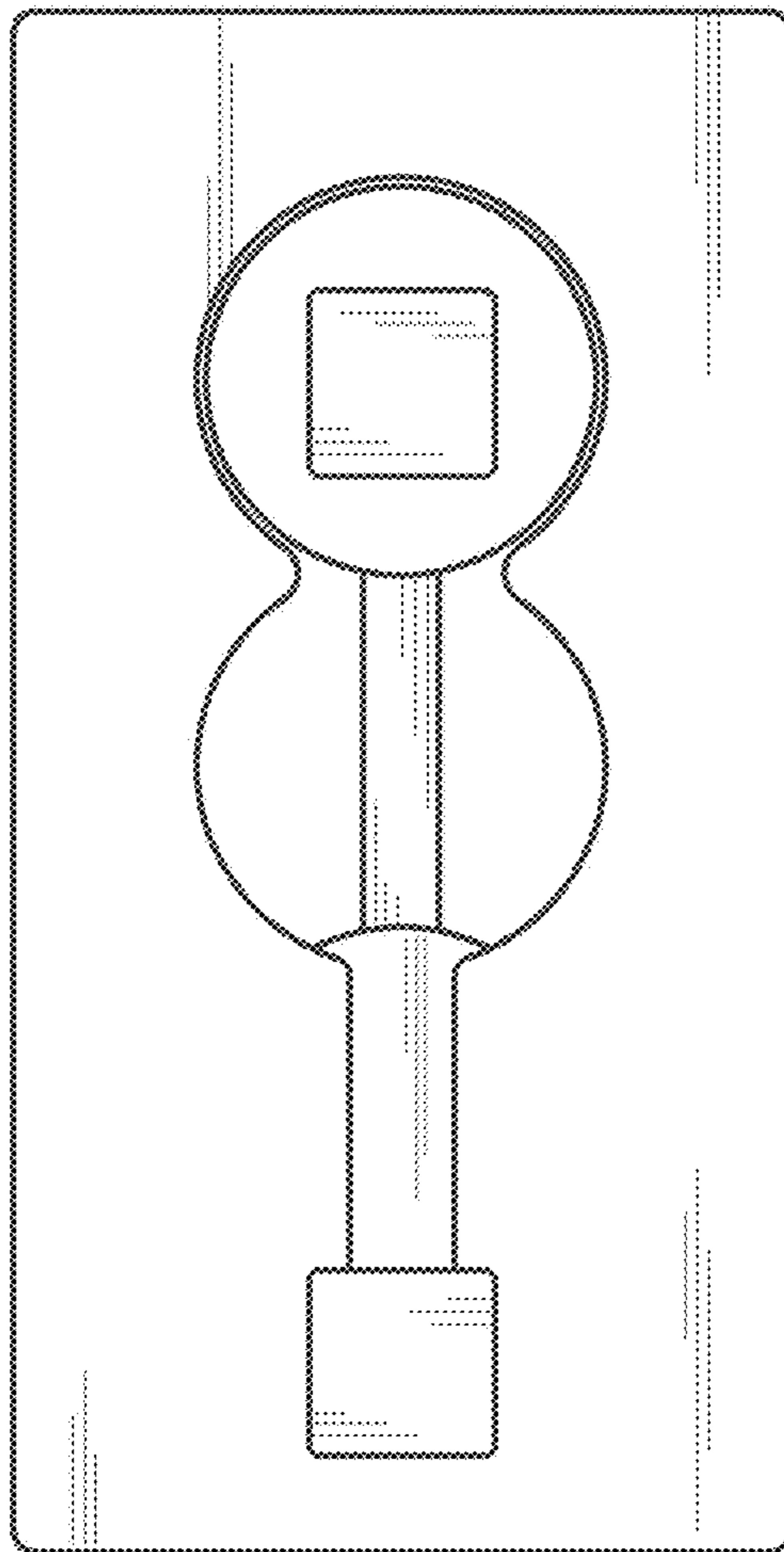


FIG. 3

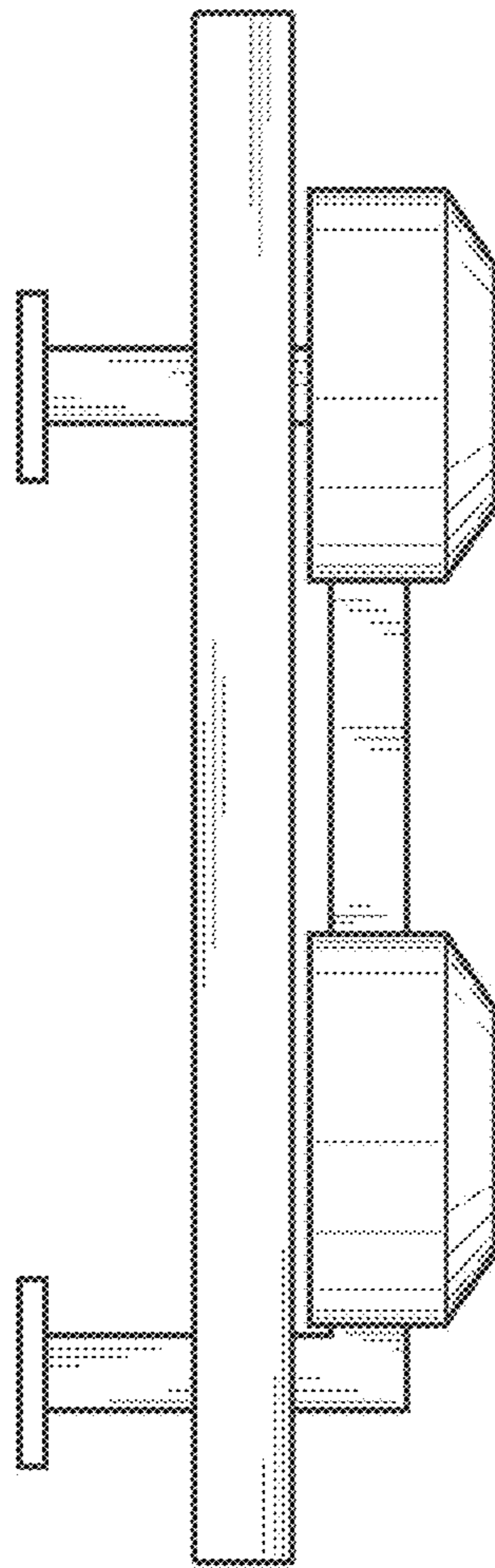


FIG. 4

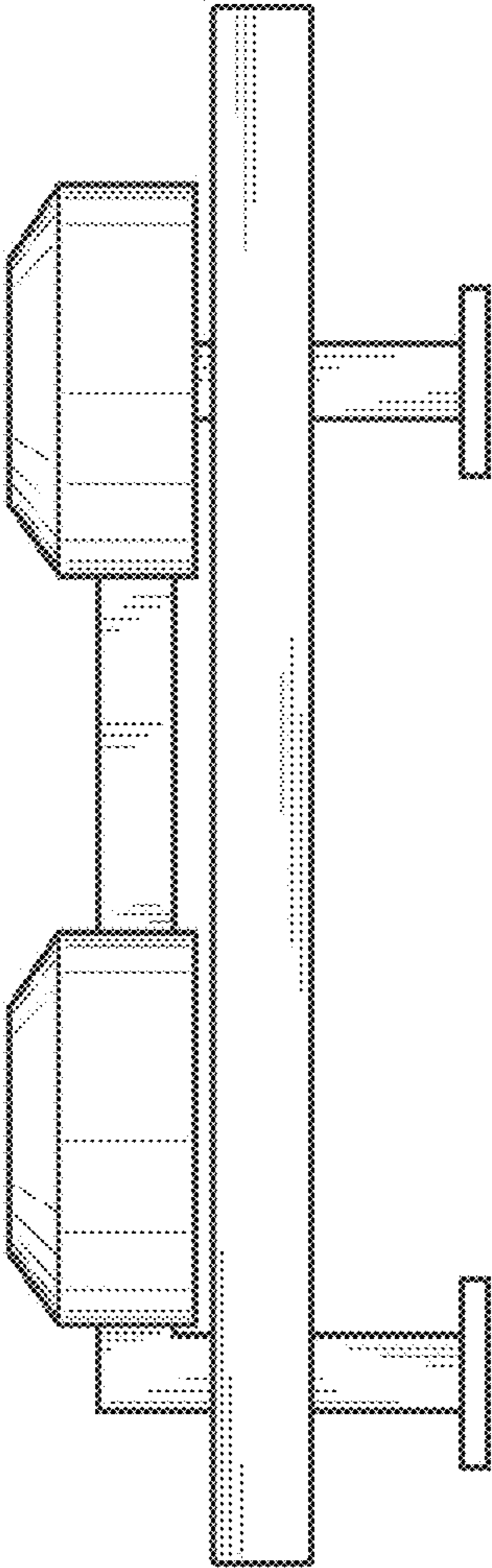


FIG. 5

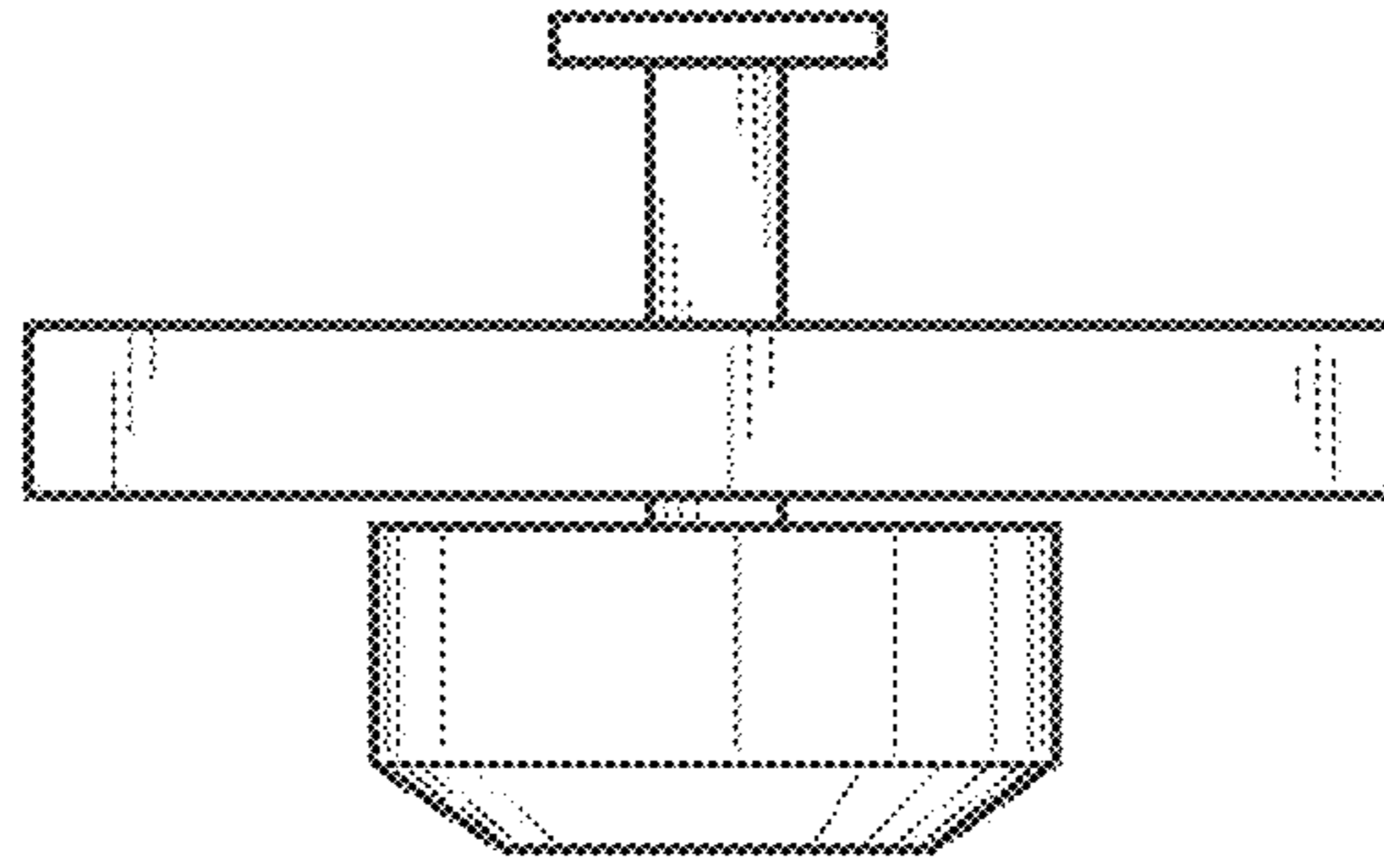


FIG. 6

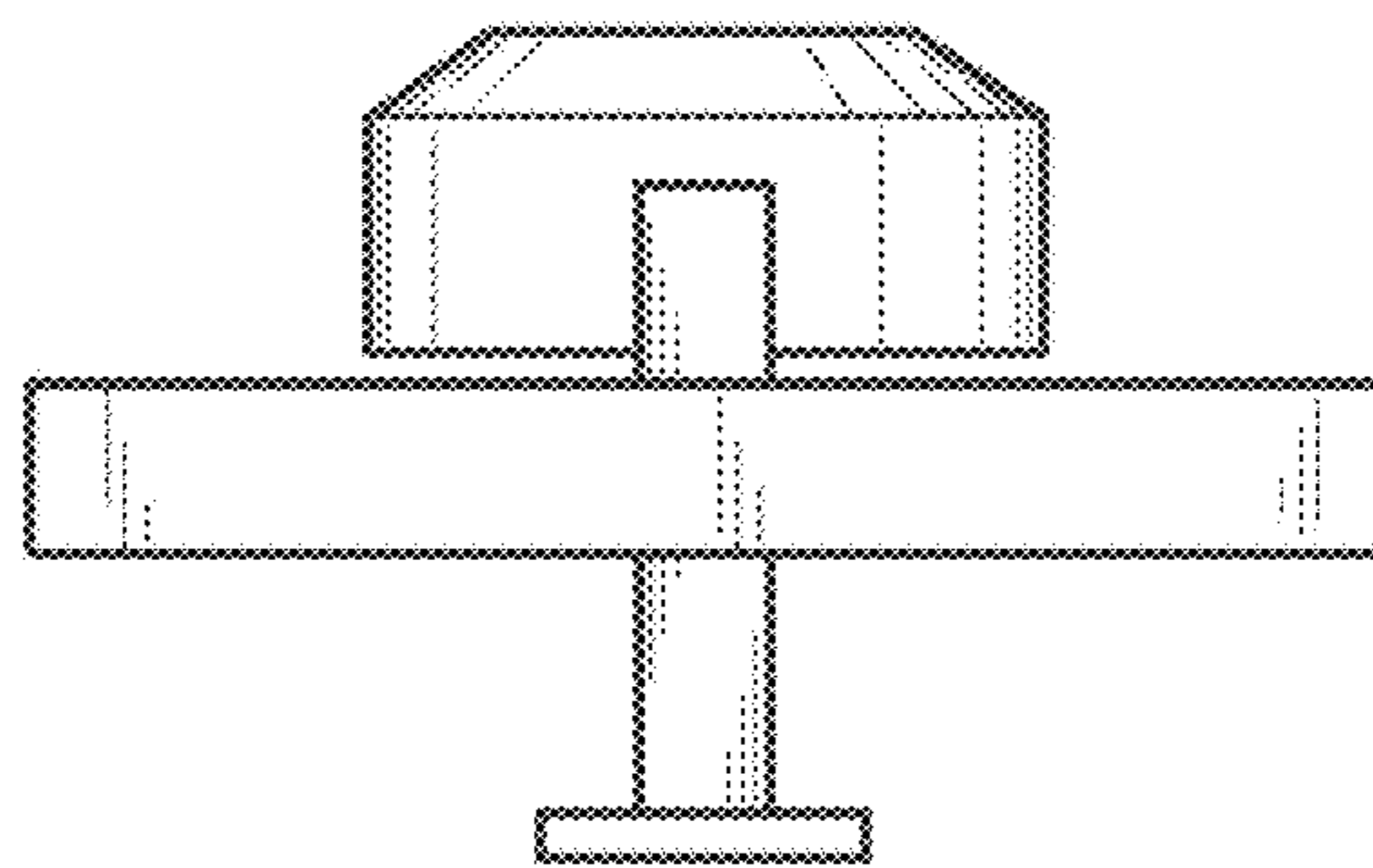


FIG. 7

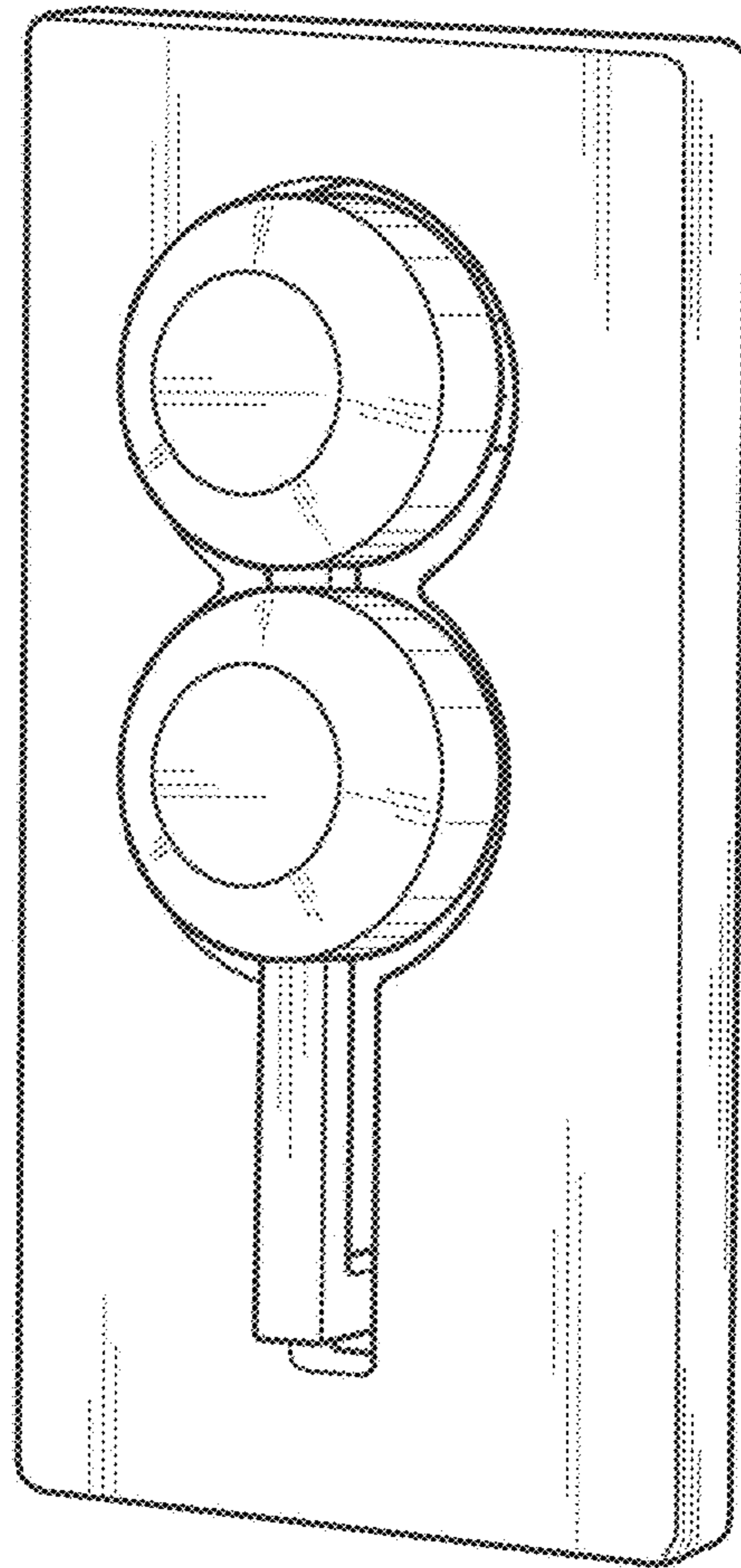


FIG. 8

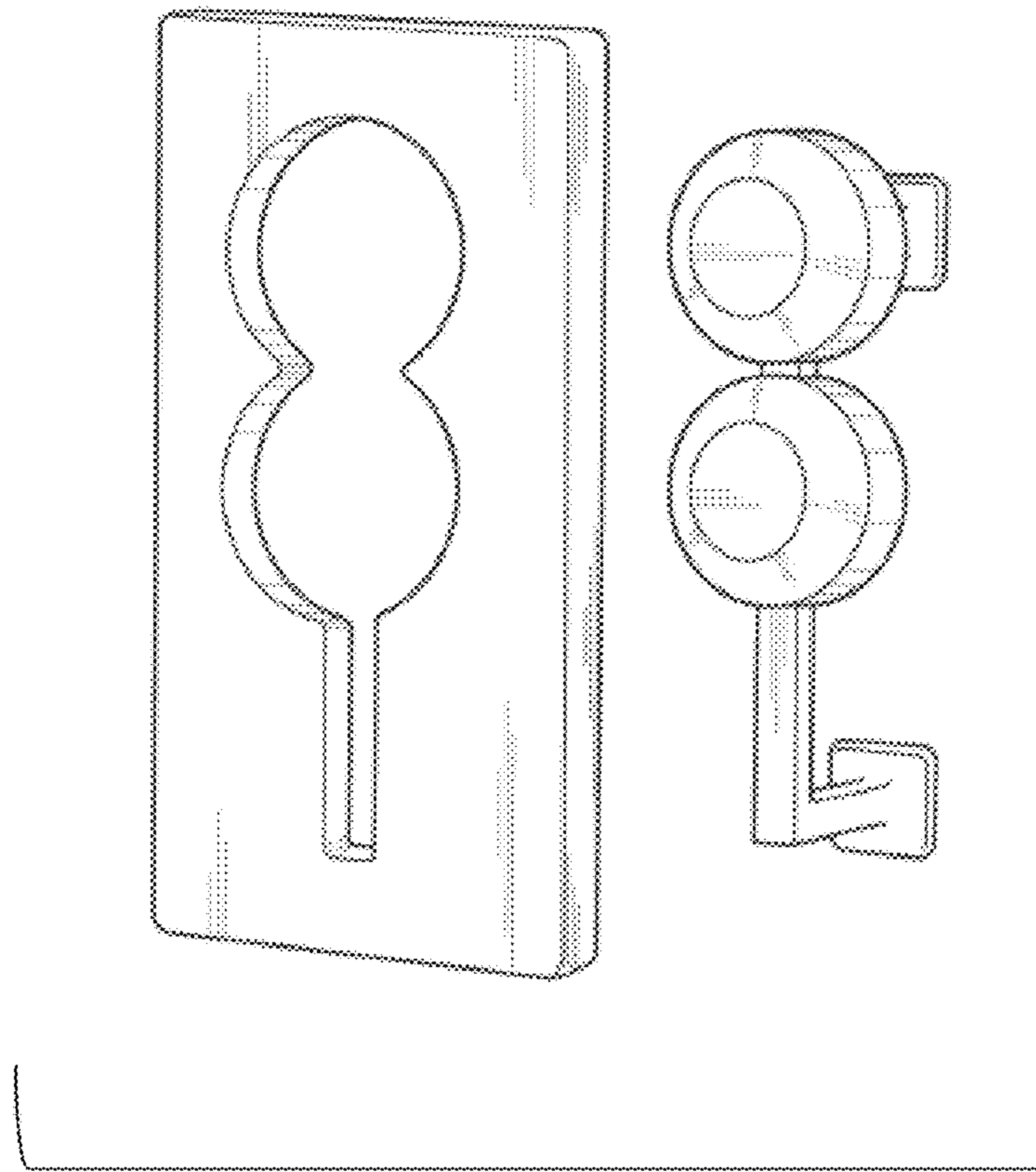


FIG. 9