

US00D836341S

(12) **United States Design Patent** (10) **Patent No.:** **US D836,341 S**
Kite (45) **Date of Patent:** **** Dec. 25, 2018**

(54) **HANDBAG**
(71) Applicant: **J. Choo Limited**, London (GB)
(72) Inventor: **Sally Kite**, London (GB)
(73) Assignee: **J. Choo Limited**, London (GB)

D683,956 S * 6/2013 Leung D3/243
D723,272 S * 3/2015 Basha D3/243
D730,644 S * 6/2015 Basha D3/243
D749,850 S 2/2016 Kuster et al.
D778,600 S * 2/2017 Heyman D3/243
D812,904 S * 3/2018 Nair D3/243

(**) Term: **15 Years**
(21) Appl. No.: **29/603,587**

OTHER PUBLICATIONS

Design U.S. Appl. No. 29/581,508 for Handbag (Lockett Minaudiere—Color Photos), filed Oct. 19, 2016.

(22) Filed: **May 10, 2017**

* cited by examiner

(30) **Foreign Application Priority Data**

Primary Examiner — Holly H Baynham

Nov. 21, 2016 (EM) 003475870-0004

(74) *Attorney, Agent, or Firm* — Fross Zelnick Lehrman & Zissu, P.C.; Lawrence E. Apolzon, Esq.

(51) **LOC (11) Cl.** **03-01**

(57) **CLAIM**

(52) **U.S. Cl.**
USPC **D3/318; D3/243**

The ornamental design for a handbag, as shown and described.

(58) **Field of Classification Search**
USPC D3/232–233, 240–243, 245–246, 247
CPC .. A45C 1/024; A45C 3/06; A45C 1/06; A45C
3/08

DESCRIPTION

See application file for complete search history.

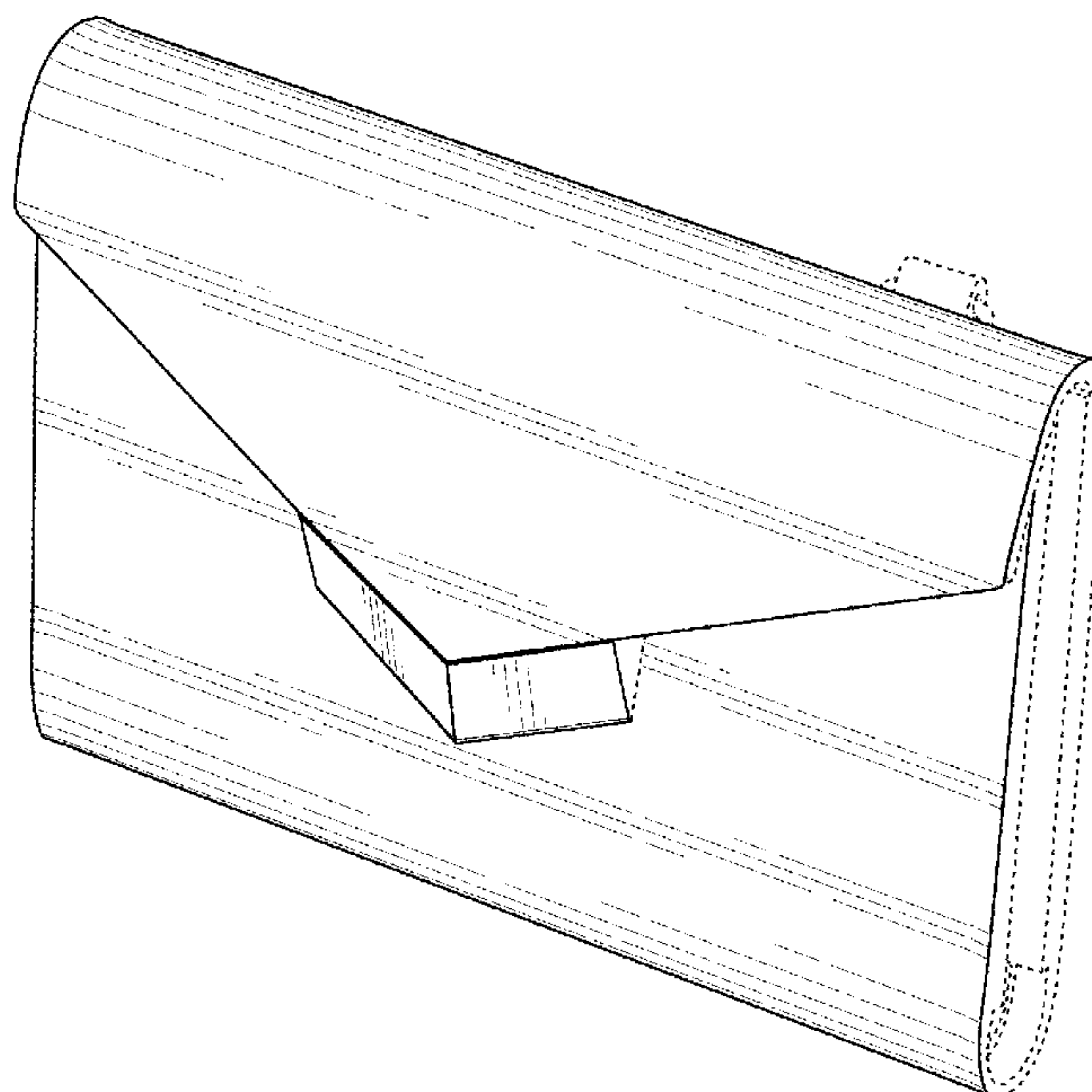
FIG. 1 is a front perspective view of a handbag showing my new design;
FIG. 2 is a left side view thereof;
FIG. 3 is a right side view thereof;
FIG. 4 is a front view thereof;
FIG. 5 is a rear view thereof;
FIG. 6 is a top plan view thereof;
FIG. 7 is a bottom plan view thereof; and,
FIG. 8 is a perspective view shown in an opened position. The broken line showing of portions of the body of the bag, zipper, zipper pull, zipper track, and circular closure button in the drawings shows unclaimed subject matter.

(56) **References Cited**

U.S. PATENT DOCUMENTS

1,835,749 A * 12/1931 Behrman A45C 3/06
150/106
1,915,083 A * 6/1933 Bodenstein A45C 1/024
453/54
RE19,189 E * 5/1934 Ottinger A45C 3/06
150/110
1,994,746 A * 3/1935 Banner A45C 3/06
150/103
2,725,088 A * 11/1955 Kaplan A45C 13/22
150/110

1 Claim, 5 Drawing Sheets



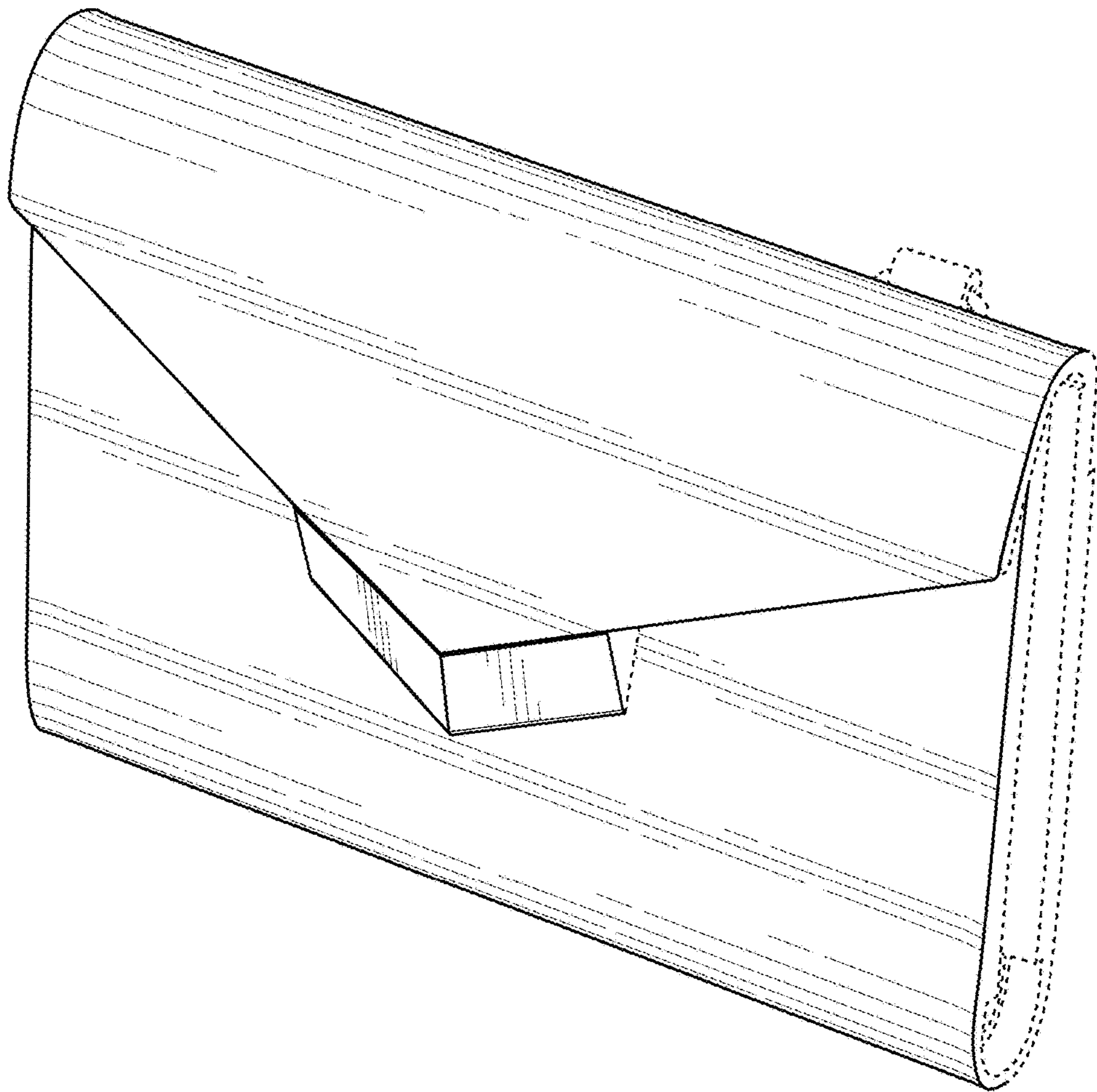


FIG. 1

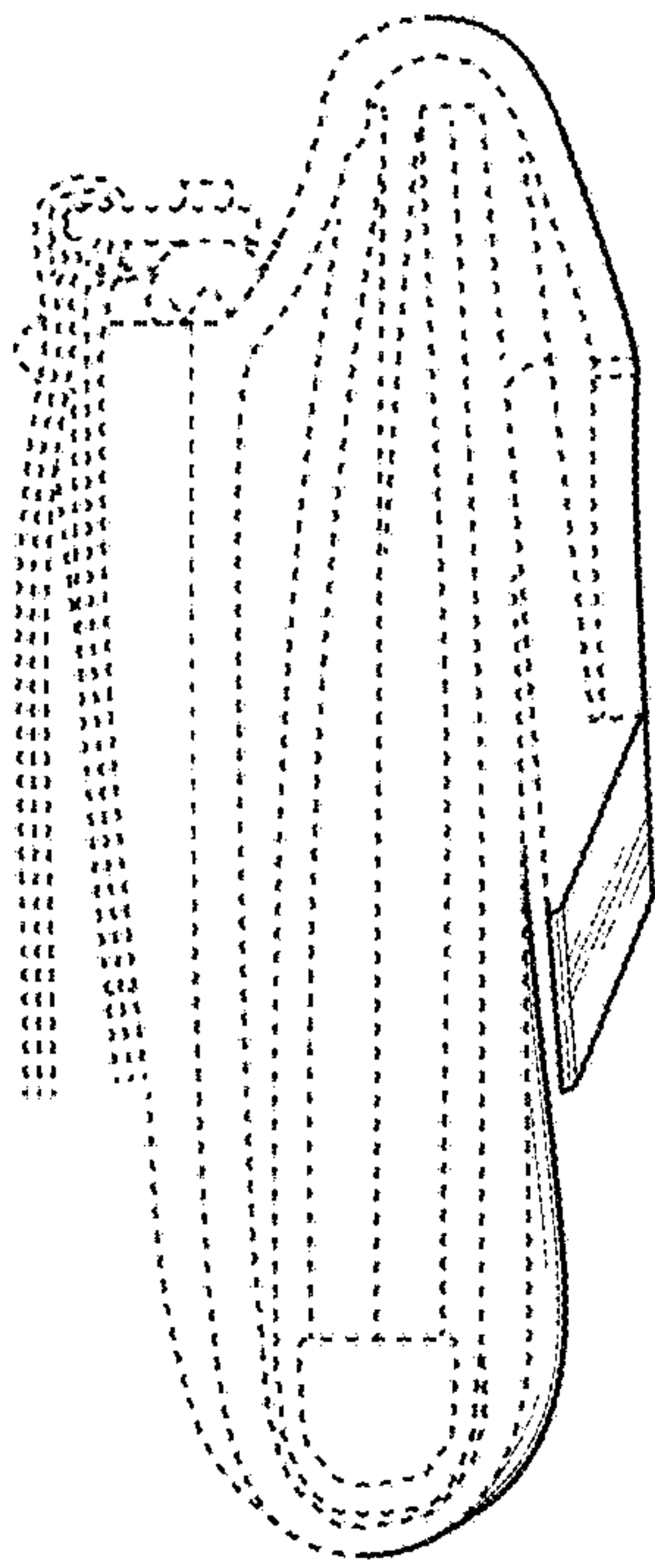


FIG. 2

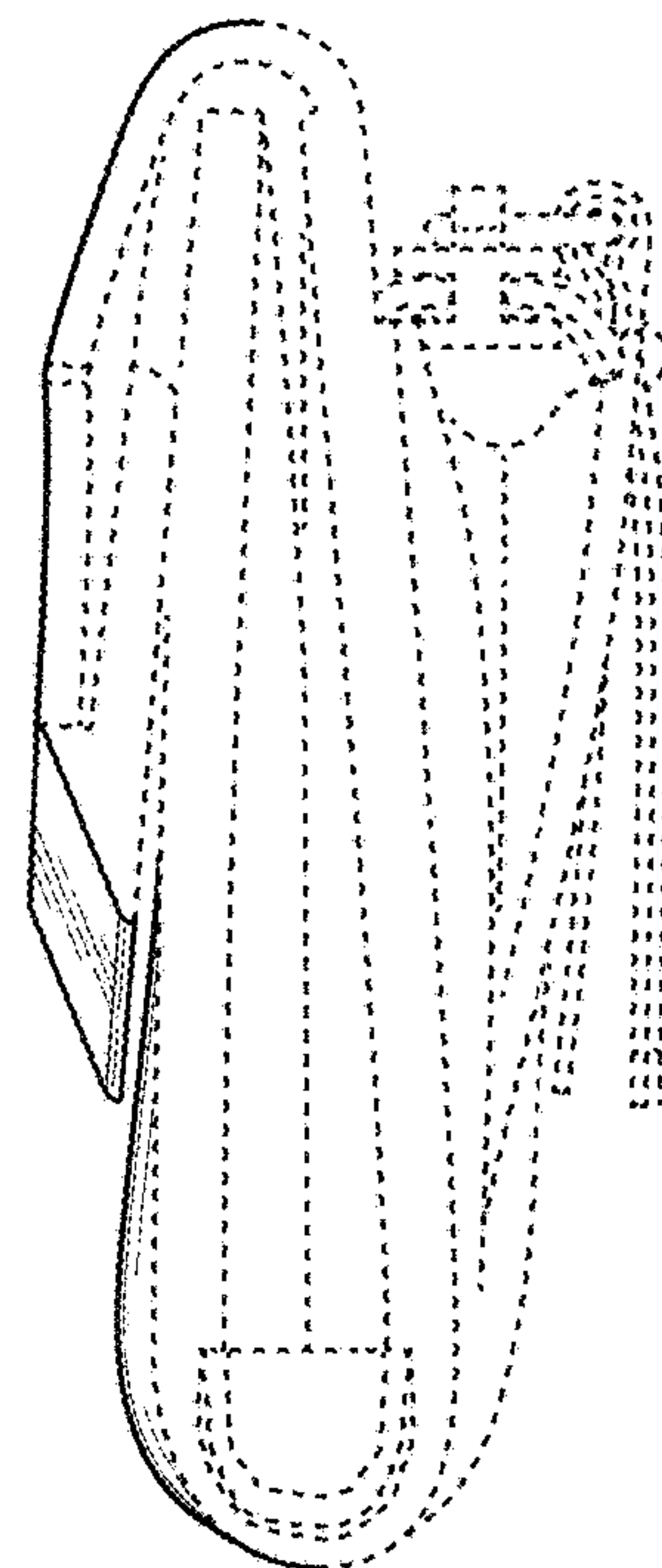


FIG. 3

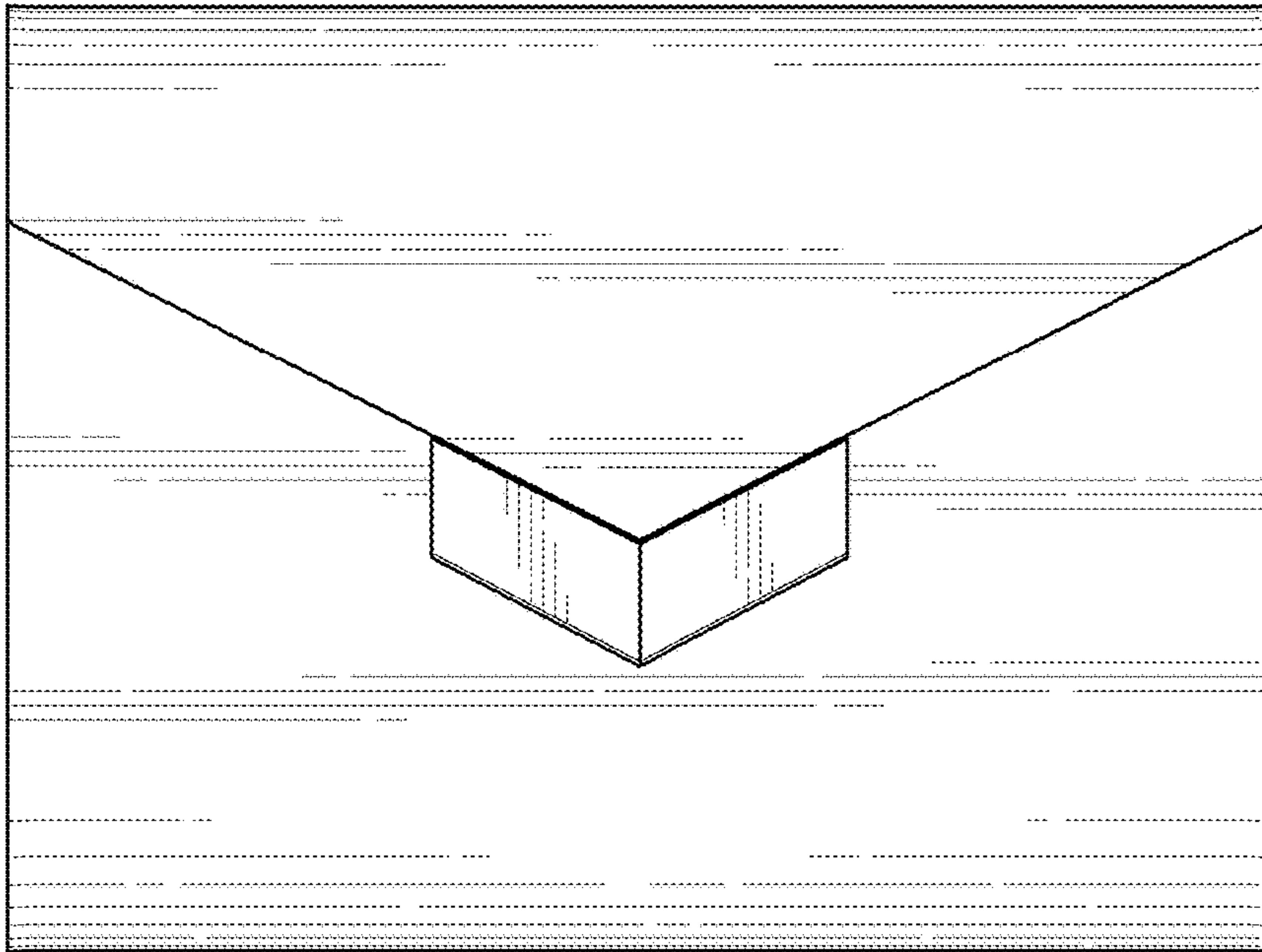


FIG. 4

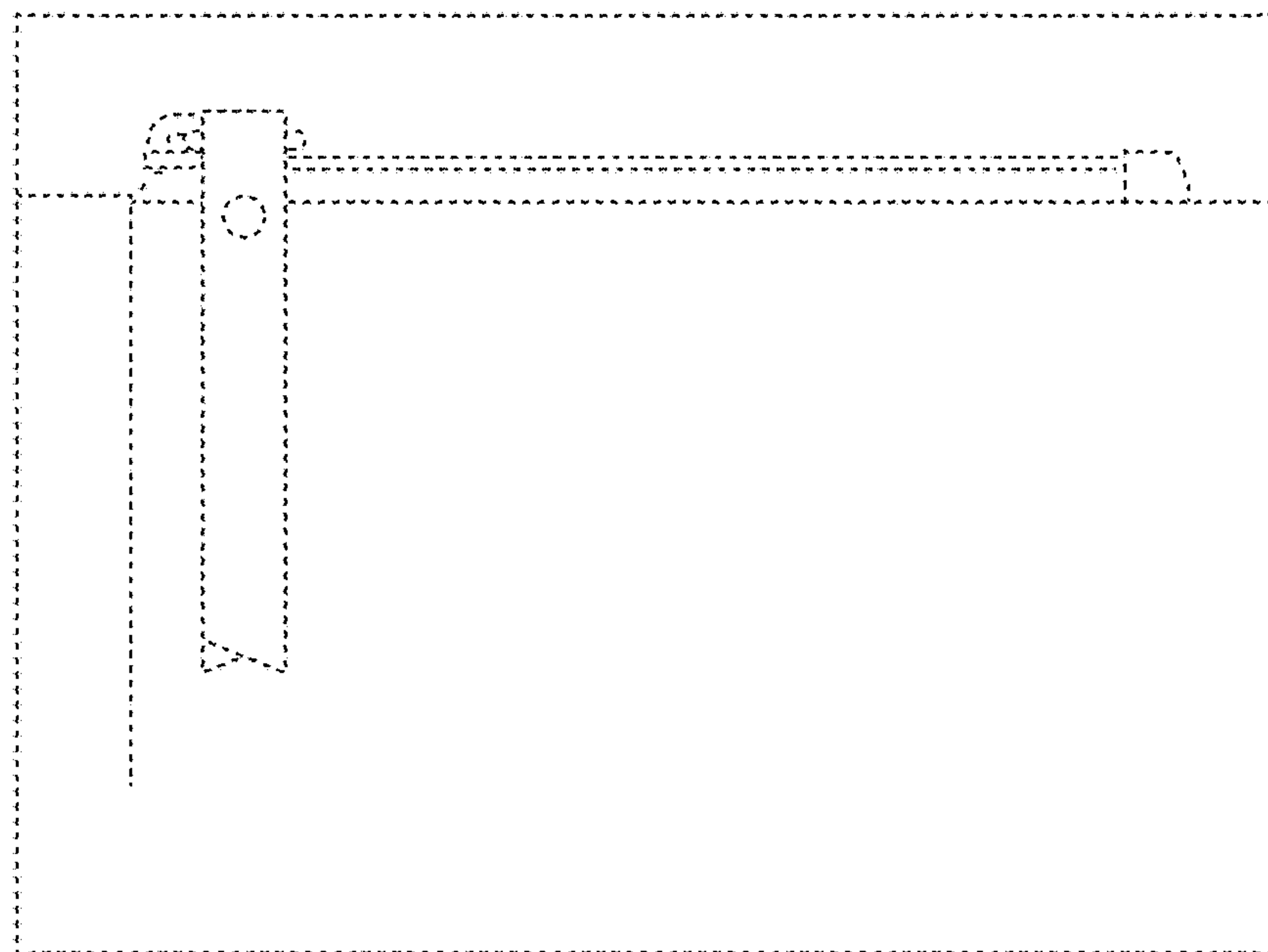


FIG. 5

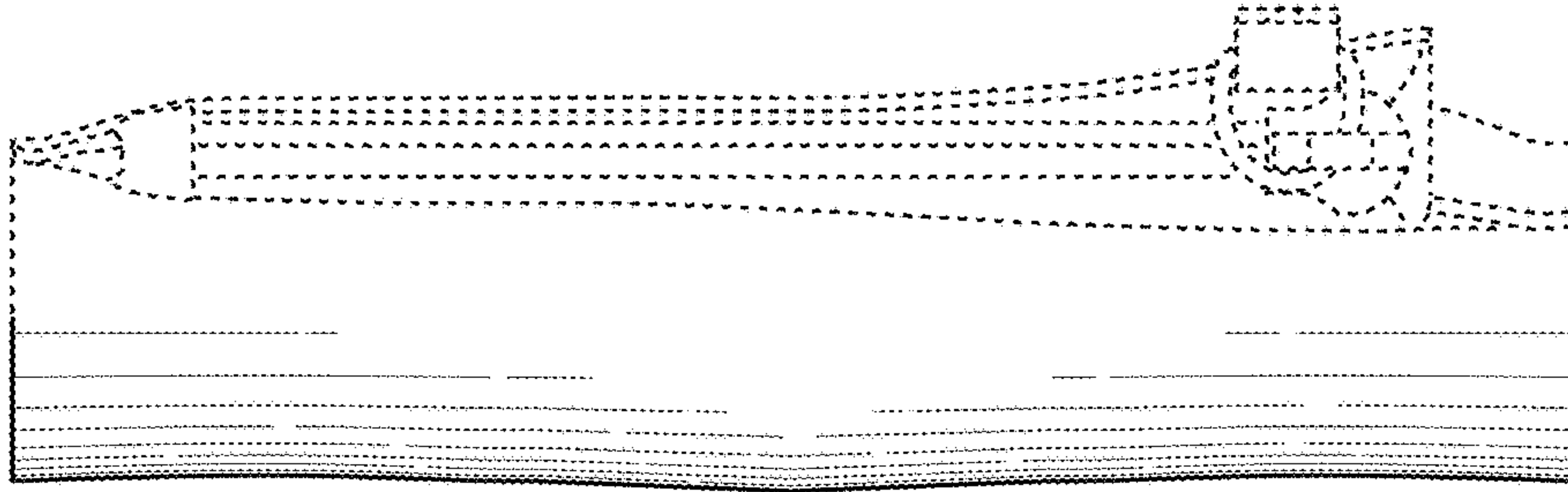


FIG. 6

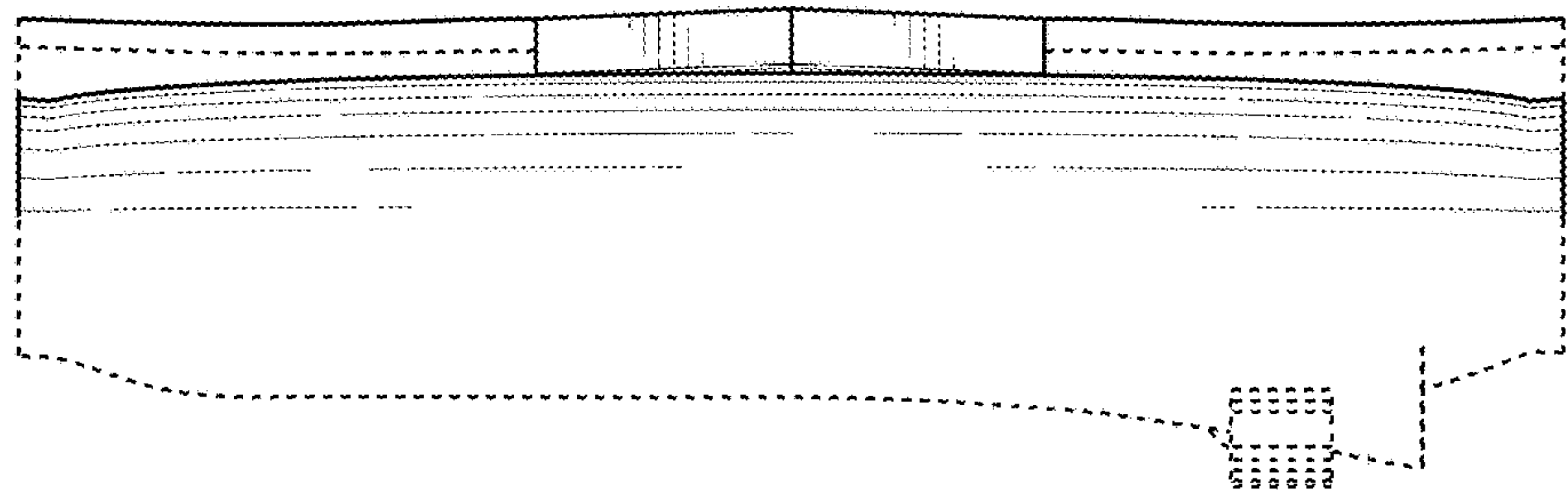


FIG. 7

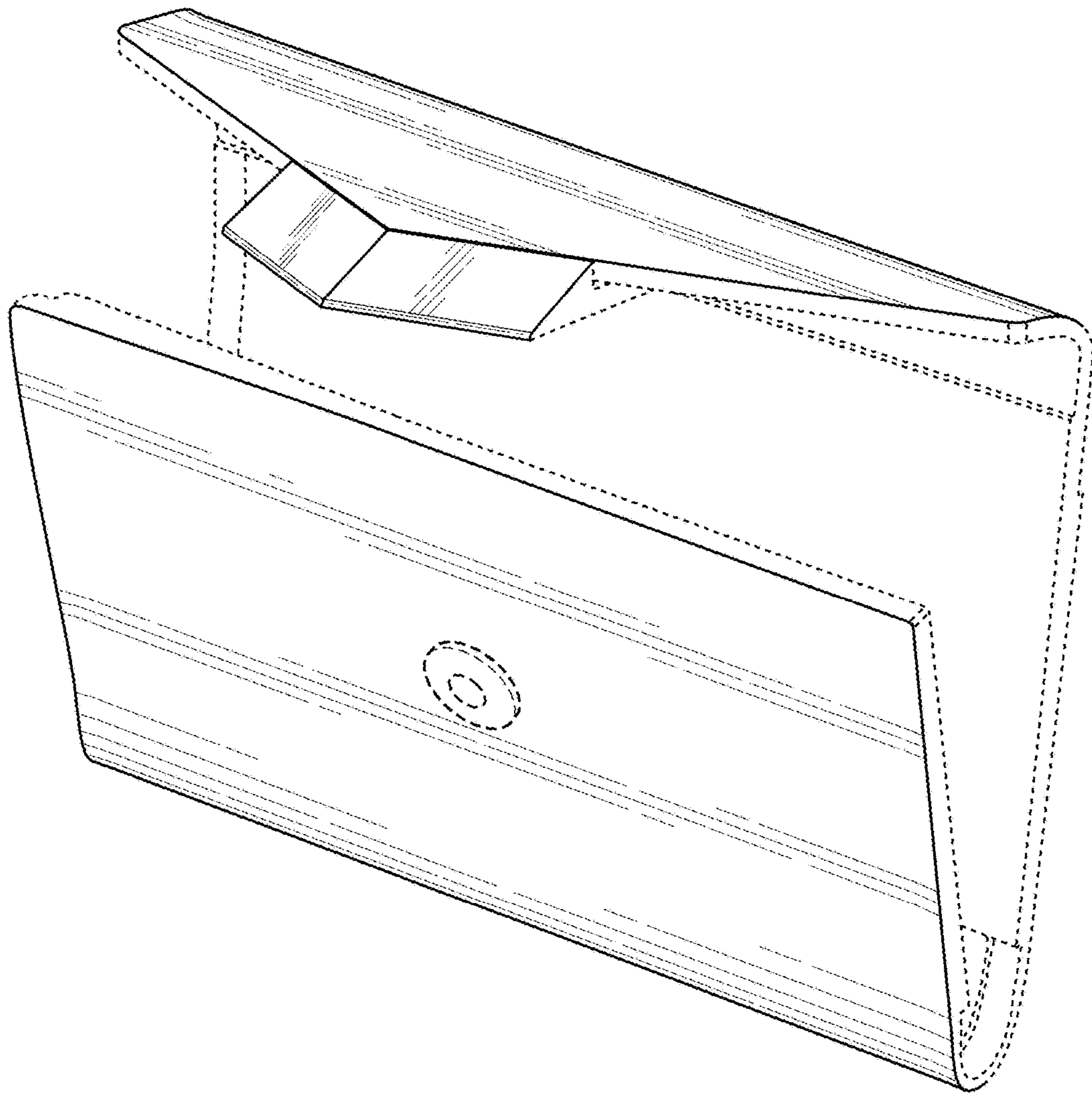


FIG. 8