



US00D836339S

(12) **United States Design Patent** (10) **Patent No.:** **US D836,339 S**
Winn et al. (45) **Date of Patent:** **** Dec. 25, 2018**

(54) **FLAT LYING FOLDABLE CONTAINER WITH AN INTEGRATED LID**

(71) Applicants: **Tyler N. Winn**, Cedar Hills, UT (US);
Travis J. Winn, Salt Lake City, UT (US)

(72) Inventors: **Tyler N. Winn**, Cedar Hills, UT (US);
Travis J. Winn, Salt Lake City, UT (US)

(**) Term: **15 Years**

(21) Appl. No.: **29/552,319**

(22) Filed: **Jan. 21, 2016**

Related U.S. Application Data

(63) Continuation-in-part of application No. 14/174,411, filed on Feb. 6, 2014.

(51) **LOC (11) Cl.** **03-01**

(52) **U.S. Cl.**
USPC **D3/294**

(58) **Field of Classification Search**
USPC D3/273, 274, 275, 276, 281, 284, 292,
D3/294, 295, 296, 297, 299, 905, 901,
(Continued)

(56) **References Cited**

U.S. PATENT DOCUMENTS

2,841,306 A 7/1958 Vitoux
3,156,371 A 11/1964 Harrison
(Continued)

OTHER PUBLICATIONS

U.S. Appl. No. 14/174,411, filed Feb. 6, 2014, Winn et al.
(Continued)

Primary Examiner — Sandra S Snapp
Assistant Examiner — Holly E Thurman

(74) *Attorney, Agent, or Firm* — Workman Nydegger

(57) **CLAIM**

The ornamental design for a flat lying foldable container with an integrated lid, as shown and described.

DESCRIPTION

FIG. 1 is a top, rear perspective view of a flat lying foldable container with an integrated lid according to the present invention, in its assembled configuration;
FIG. 2 is a bottom, front perspective view of the flat lying foldable container with an integrated lid of FIG. 1;
FIG. 3 is a front view of the flat lying foldable container with an integrated lid of FIG. 1;
FIG. 4 is a rear view of the flat lying foldable container with an integrated lid of FIG. 1;
FIG. 5 is a top view of the flat lying foldable container with an integrated lid of FIG. 1;
FIG. 6 is a bottom view of the flat lying foldable container with an integrated lid of FIG. 1;
FIG. 7 is a first side view of the flat lying foldable container with an integrated lid of FIG. 1;
FIG. 8 is a second, opposite side view of the flat lying foldable container with an integrated lid of FIG. 1;
FIG. 9 is a perspective view of the flat lying foldable container with an integrated lid of FIG. 1, with the lid open;
FIG. 10 is a top perspective view of the flat lying foldable container with an integrated lid of FIG. 1, in a collapsed configuration;
FIG. 11 is a bottom perspective view of the flat lying foldable container with an integrated lid of FIG. 1 (i.e., the container in FIG. 11 has been flipped over relative to FIG. 10);
FIG. 12 is a first end view of the flat lying foldable container with an integrated lid of FIG. 10;
FIG. 13 is an opposite end view of the flat lying foldable container with an integrated lid of FIG. 10;
FIG. 14 is a top view of the flat lying foldable container with an integrated lid of FIG. 10;
FIG. 15 is a bottom view of the flat lying foldable container with an integrated lid of FIG. 10;
FIG. 16 is a first side view of the flat lying foldable container with an integrated lid of FIG. 10;
(Continued)

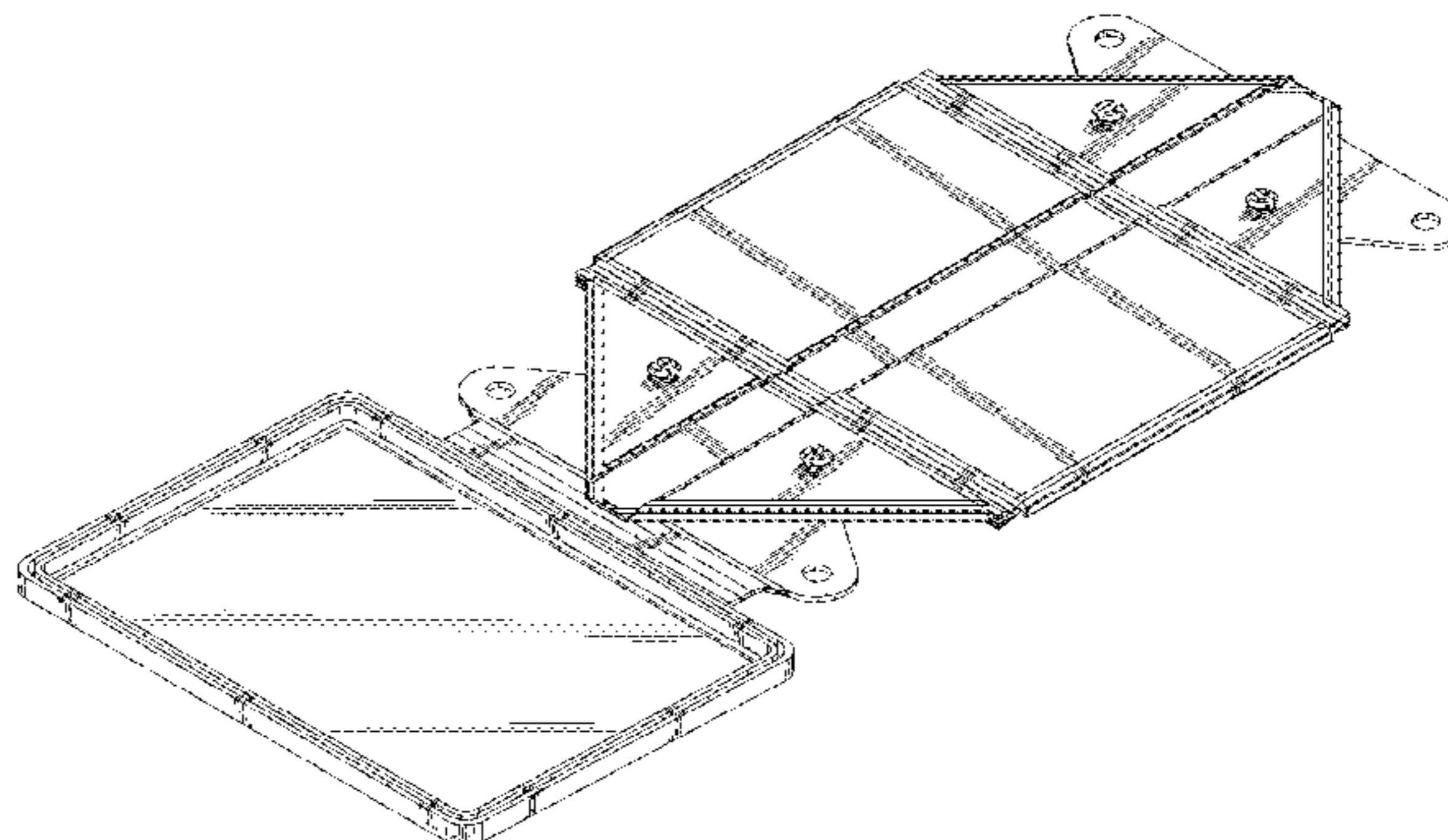
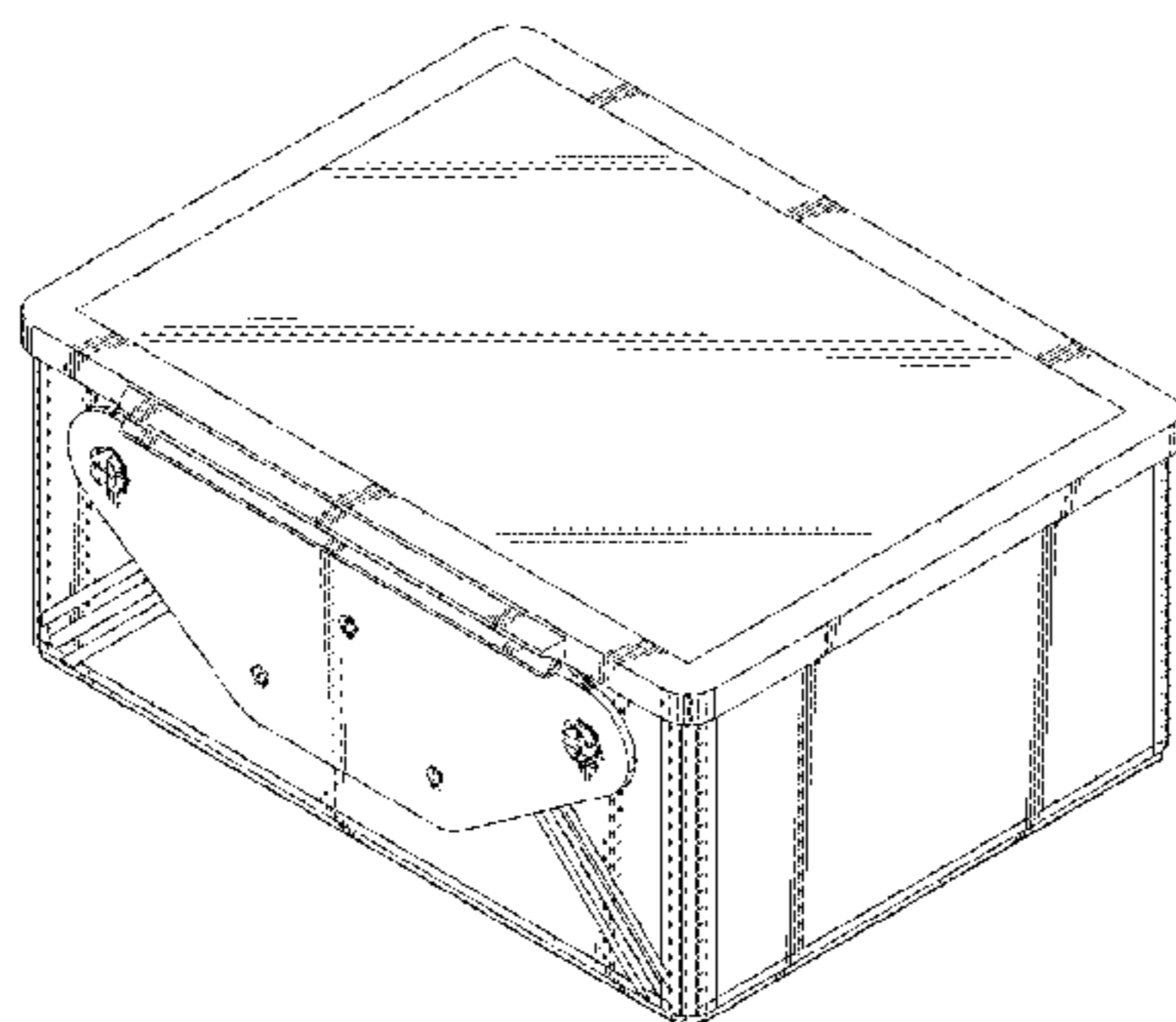


FIG. 17 is a second, opposite side view of the flat lying foldable container with an integrated lid of FIG. 10; and, FIG. 18 is a side view similar to that of FIG. 17, but with the lid of the container folded under the flat lying container. Any broken lines shown are directed to environmental structure and are for illustrative purposes only. Any broken lines form no part of the claimed design.

1 Claim, 13 Drawing Sheets

(58) **Field of Classification Search**

USPC D3/903, 205, 203.1, 279, 282, 242, 301,
D3/302; D9/418, 420-423
CPC .. A45C 5/00; A45C 5/04; A45C 11/00; A45C
11/16

See application file for complete search history.

(56) **References Cited**

U.S. PATENT DOCUMENTS

4,010,865 A 3/1977 Wilgus
4,790,714 A * 12/1988 Schnapp A63H 33/16
446/486
4,791,883 A * 12/1988 Lehman A01K 1/0125
119/168
D415,680 S * 10/1999 Sheffer D9/432
6,092,687 A 7/2000 Hupp et al.
6,116,501 A 9/2000 Hupp
6,126,065 A * 10/2000 Wee B65D 5/2047
229/114
D442,081 S * 5/2001 Paul D9/423
6,299,011 B1 * 10/2001 Rosenfeldt B65D 9/38
16/388

6,315,151 B1 11/2001 Hupp et al.
6,325,239 B2 12/2001 Randall et al.
6,899,460 B2 5/2005 Turvey et al.
6,920,993 B2 7/2005 Sheng-Bin
6,923,516 B2 8/2005 Sheng-Bin
7,011,224 B2 3/2006 Sheng-Bin
7,017,776 B1 3/2006 Hupp
7,178,687 B1 2/2007 Manderfield, Jr. et al.
D596,936 S 7/2009 Bierschenk et al.
7,597,209 B2 10/2009 Rothschild et al.
7,631,799 B2 12/2009 Turvey et al.
7,654,402 B2 2/2010 Kusuma et al.
7,699,212 B2 4/2010 Turvey et al.
7,854,370 B2 12/2010 Turvey et al.
8,033,411 B2 10/2011 Turvey et al.
8,066,136 B2 11/2011 Turvey et al.
8,146,763 B2 4/2012 Turvey et al.
8,146,773 B2 4/2012 Turvey et al.
2002/0070267 A1 6/2002 Okamura et al.
2004/0164132 A1 * 8/2004 Kuester B65D 1/225
229/117.06
2005/0035125 A1 * 2/2005 Bae B65D 43/0218
220/326
2005/0061810 A1 3/2005 Nordland
2005/0087530 A1 4/2005 Svenson
2009/0090709 A1 4/2009 Shalomoff
2012/0024941 A1 2/2012 Skinner

OTHER PUBLICATIONS

U.S. Appl. No. 14/174,411, dated Feb. 5, 2015, Restriction Requirement.
U.S. Appl. No. 14/174,411, dated Apr. 14, 2015, Office Action.
U.S. Appl. No. 14/174,411, dated Oct. 21, 2015, Final Office Action.

* cited by examiner

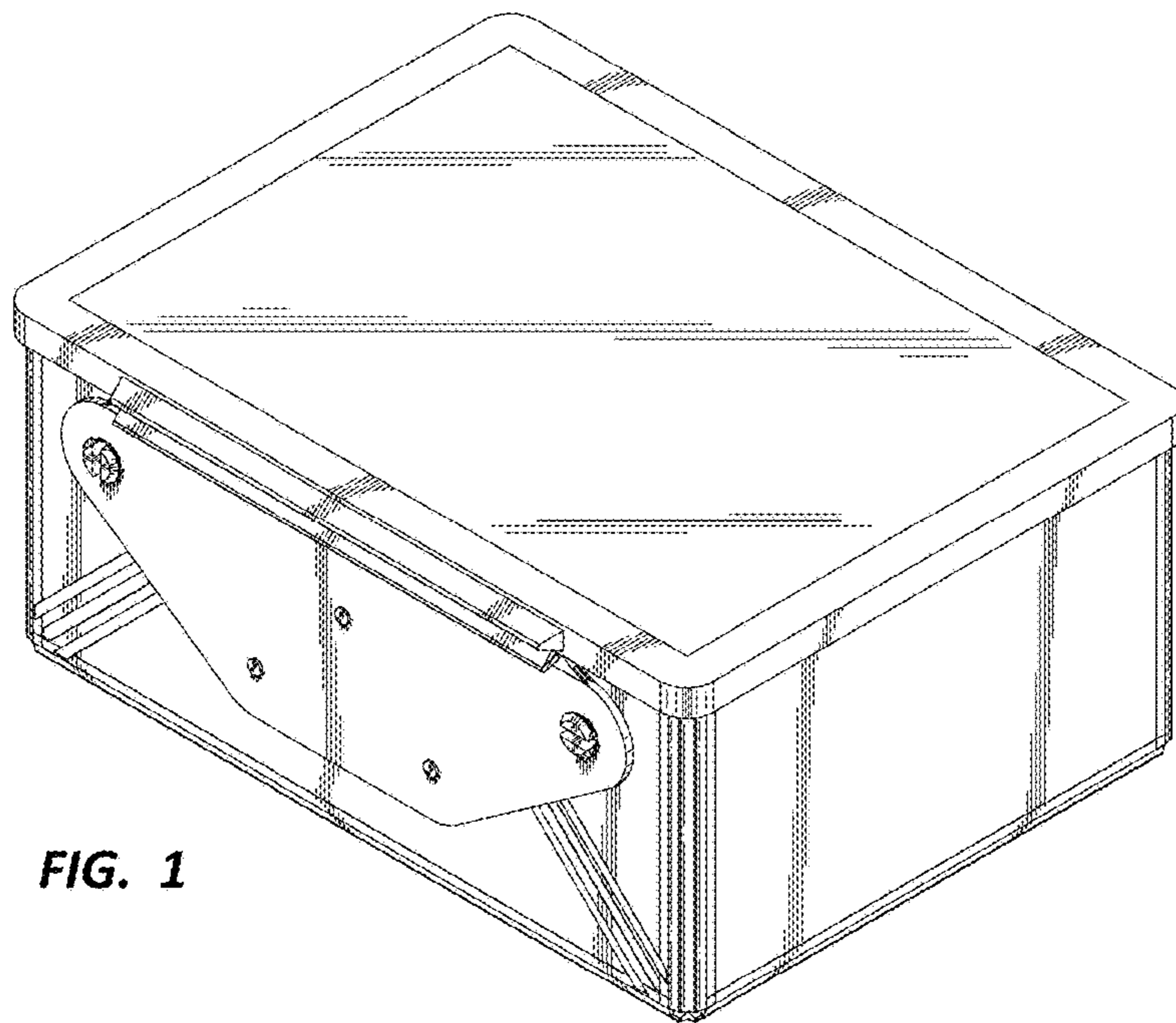


FIG. 1

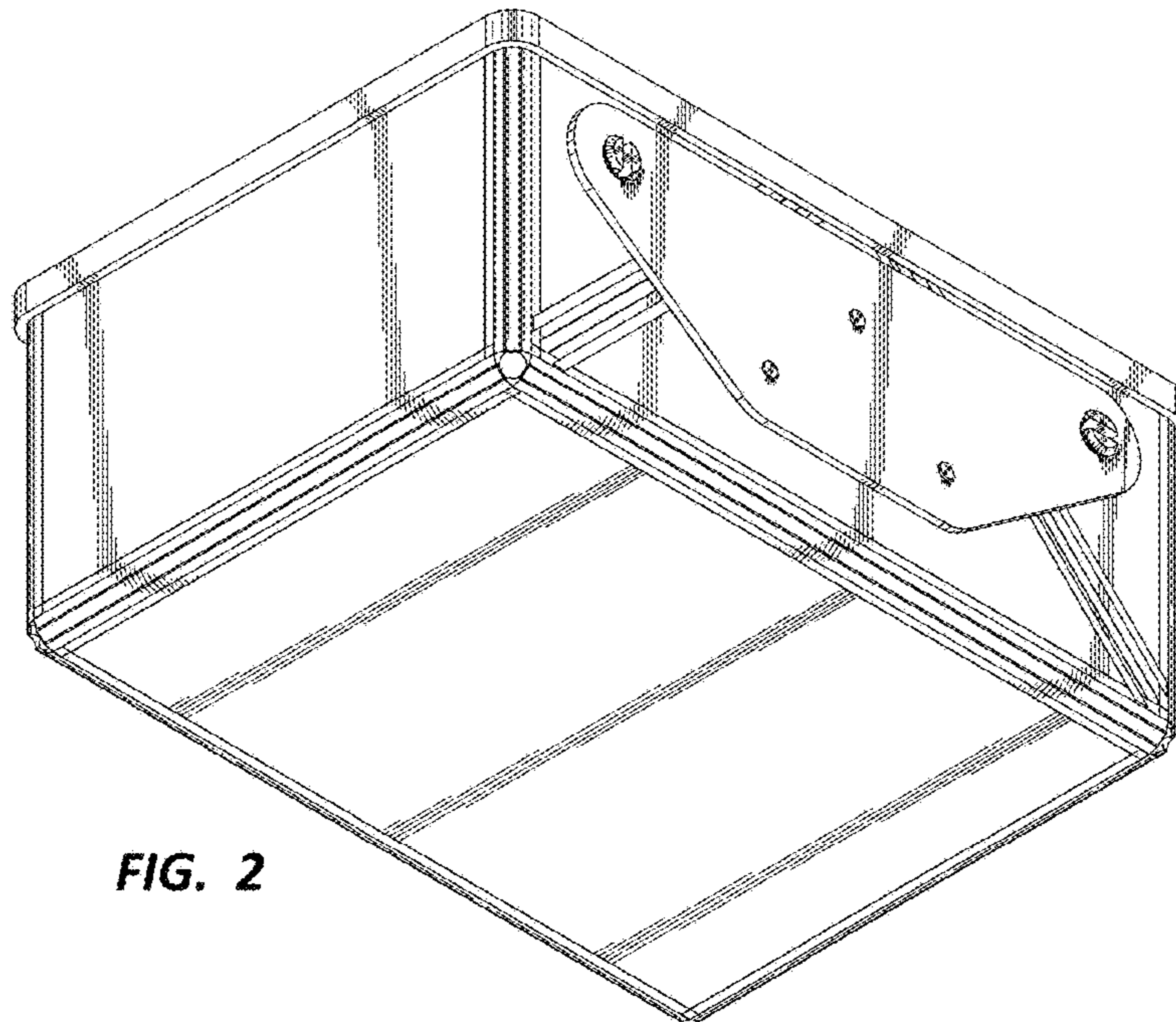


FIG. 2

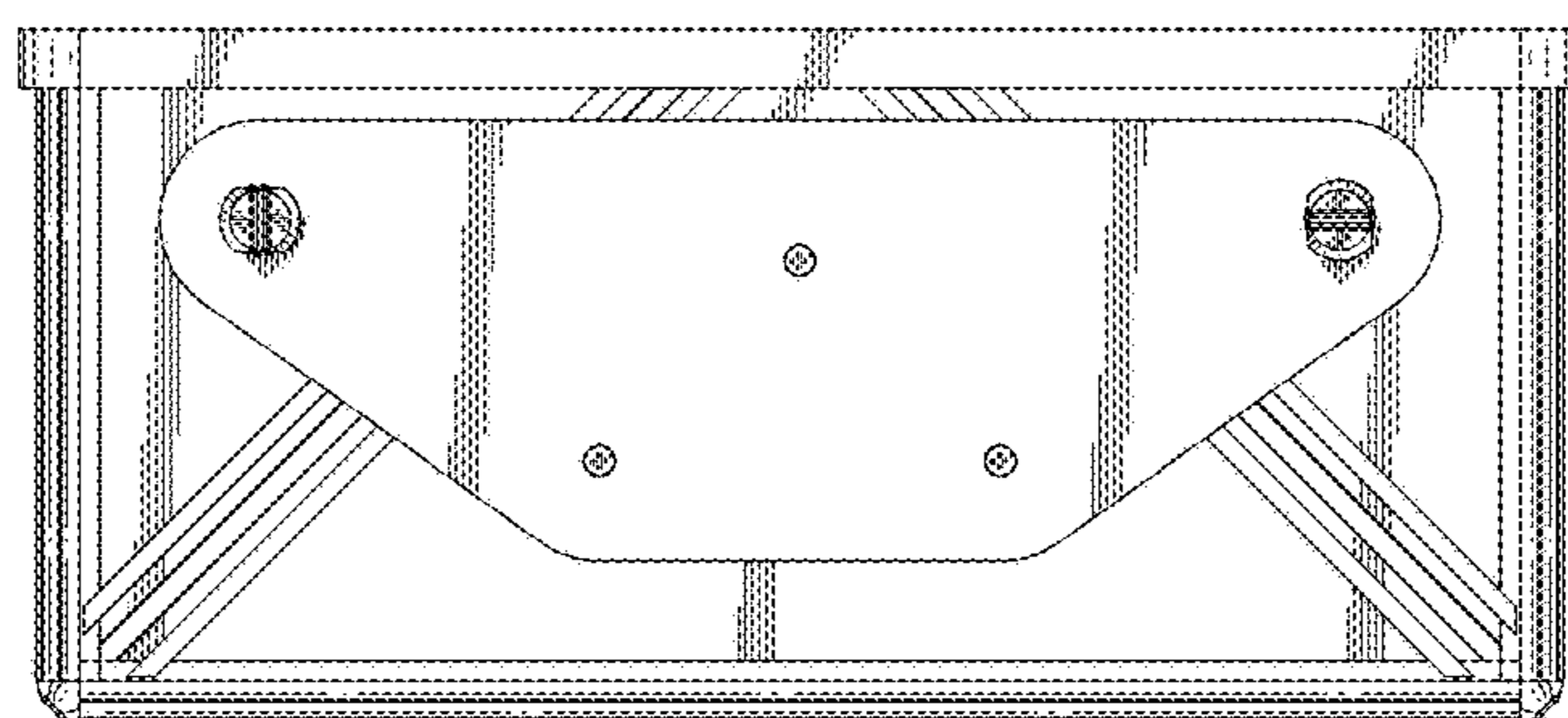


FIG. 3

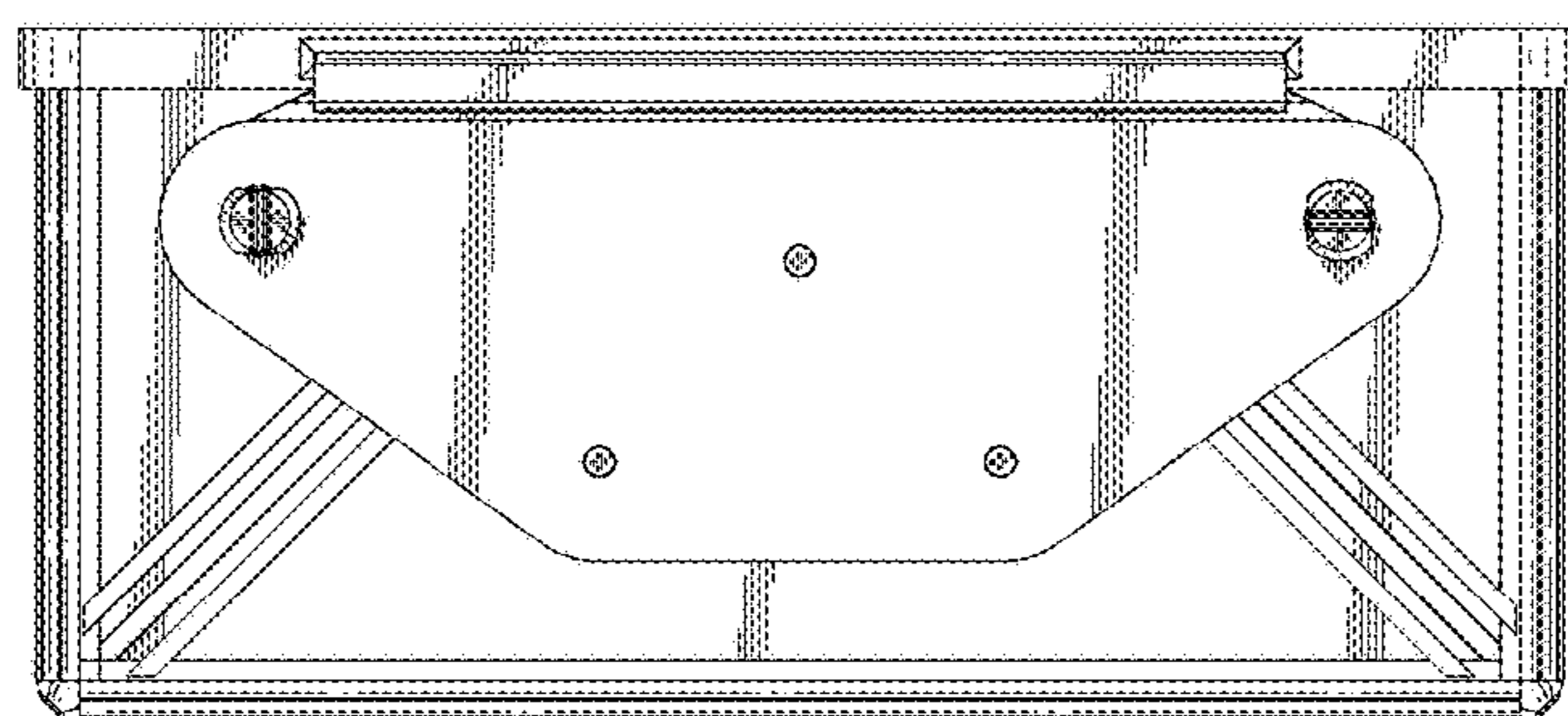


FIG. 4

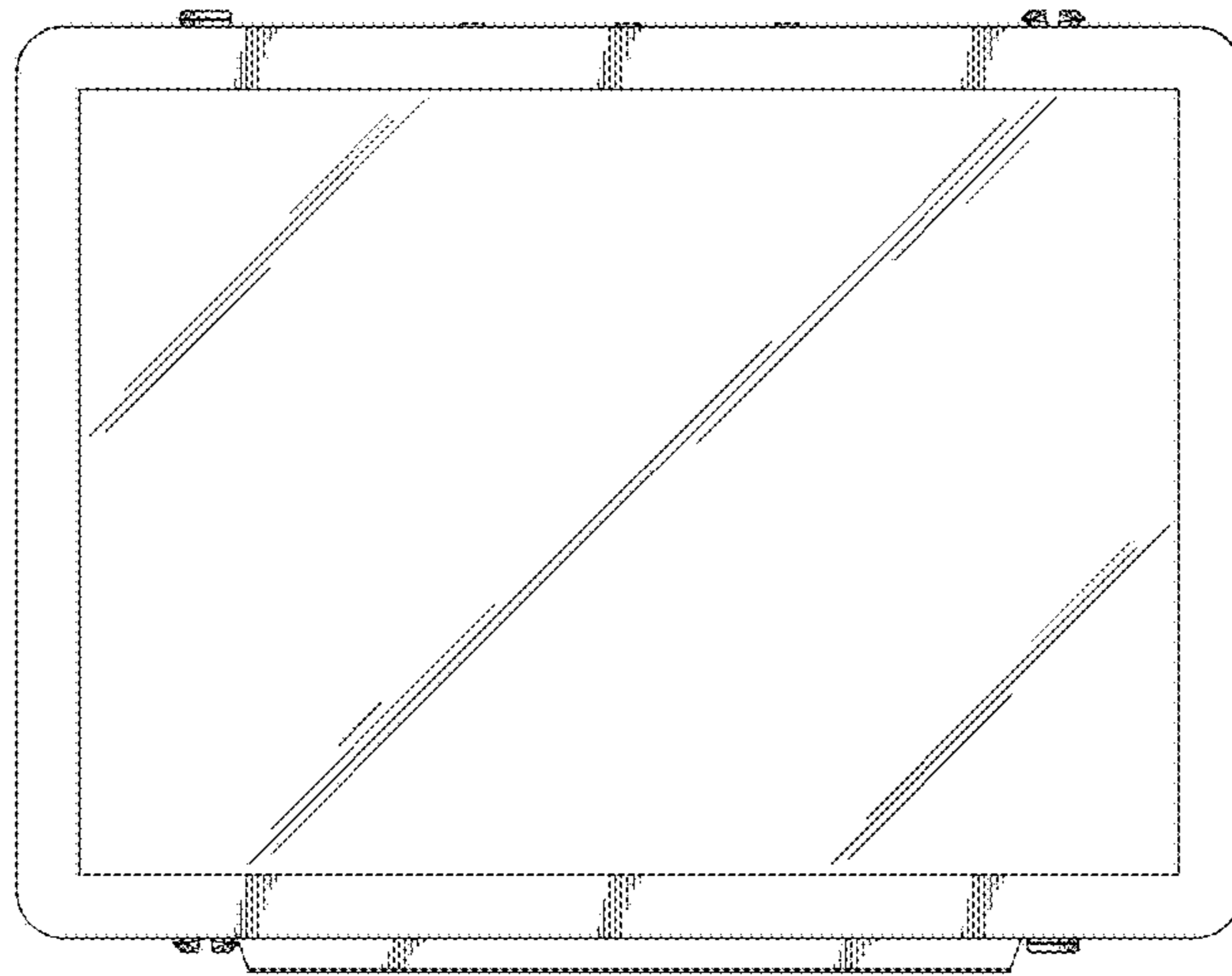


FIG. 5

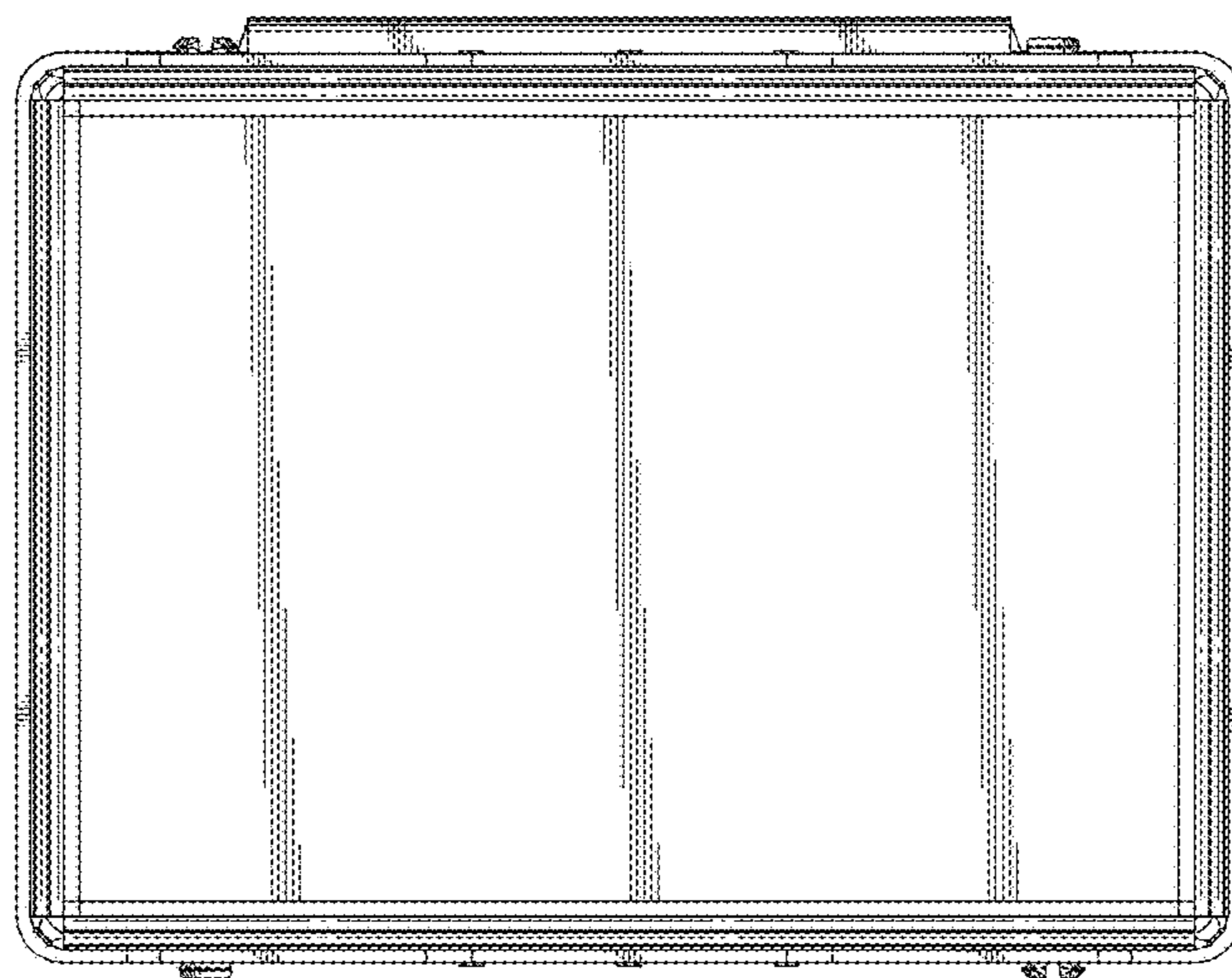


FIG. 6

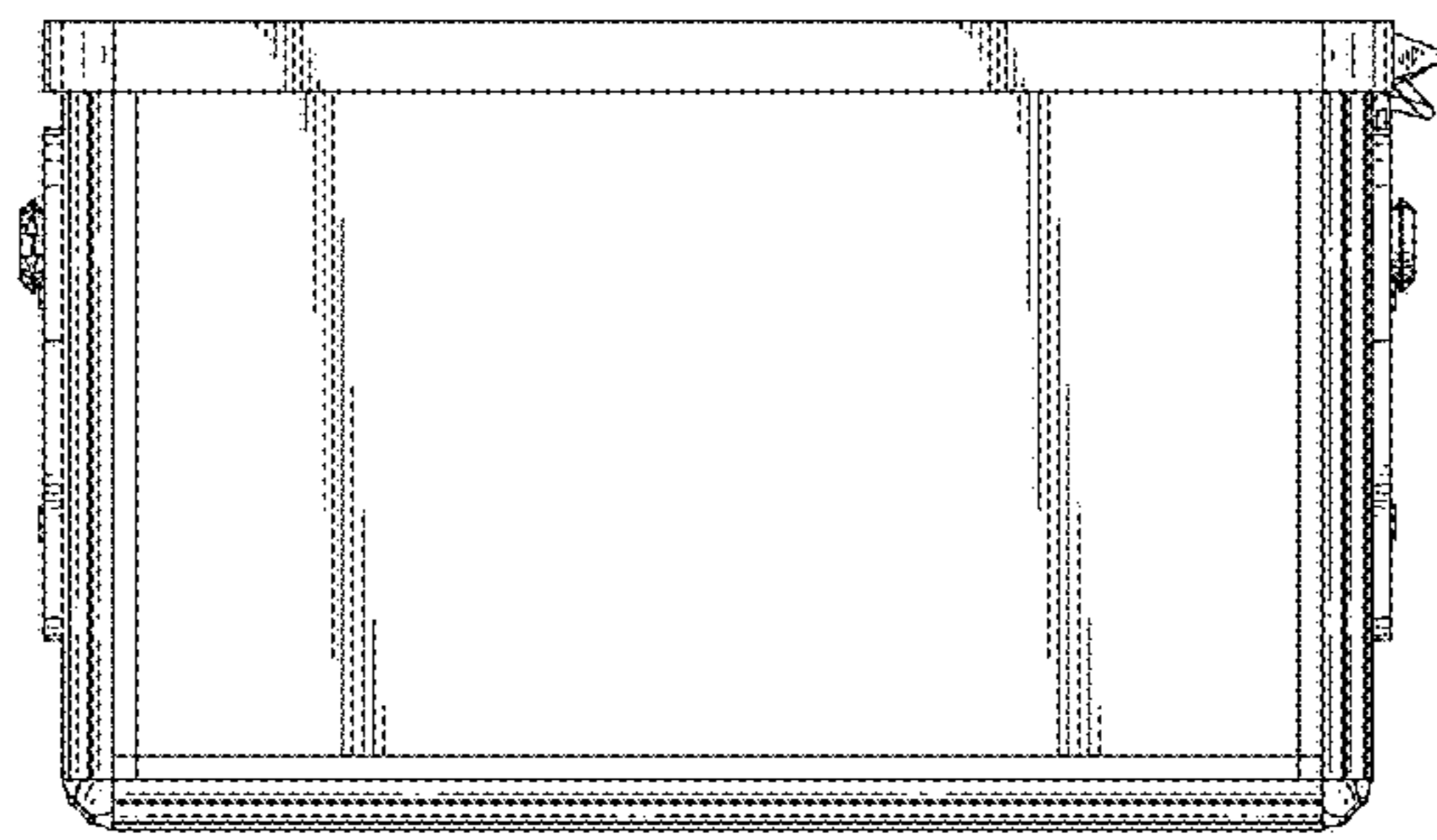


FIG. 7

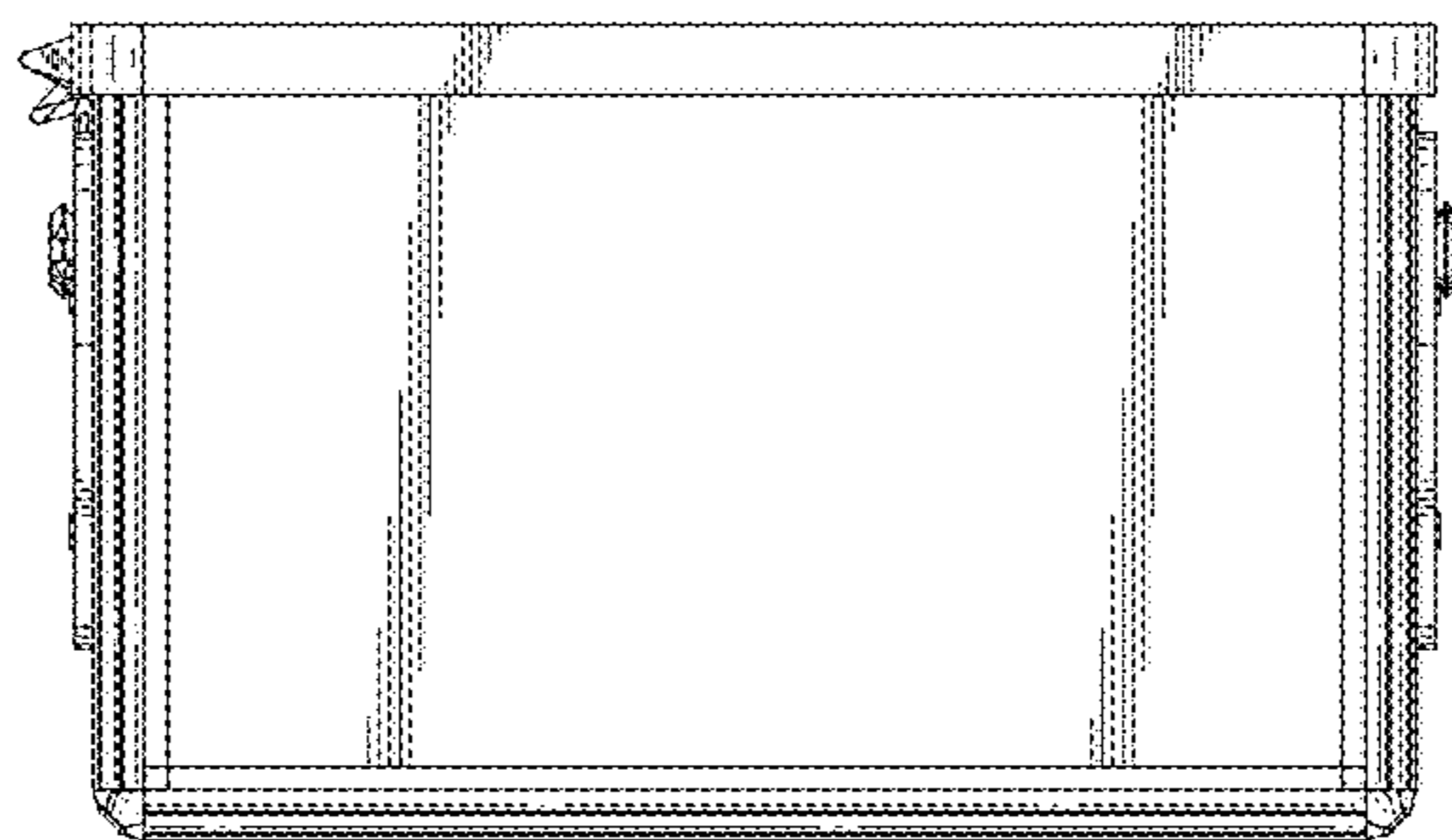


FIG. 8

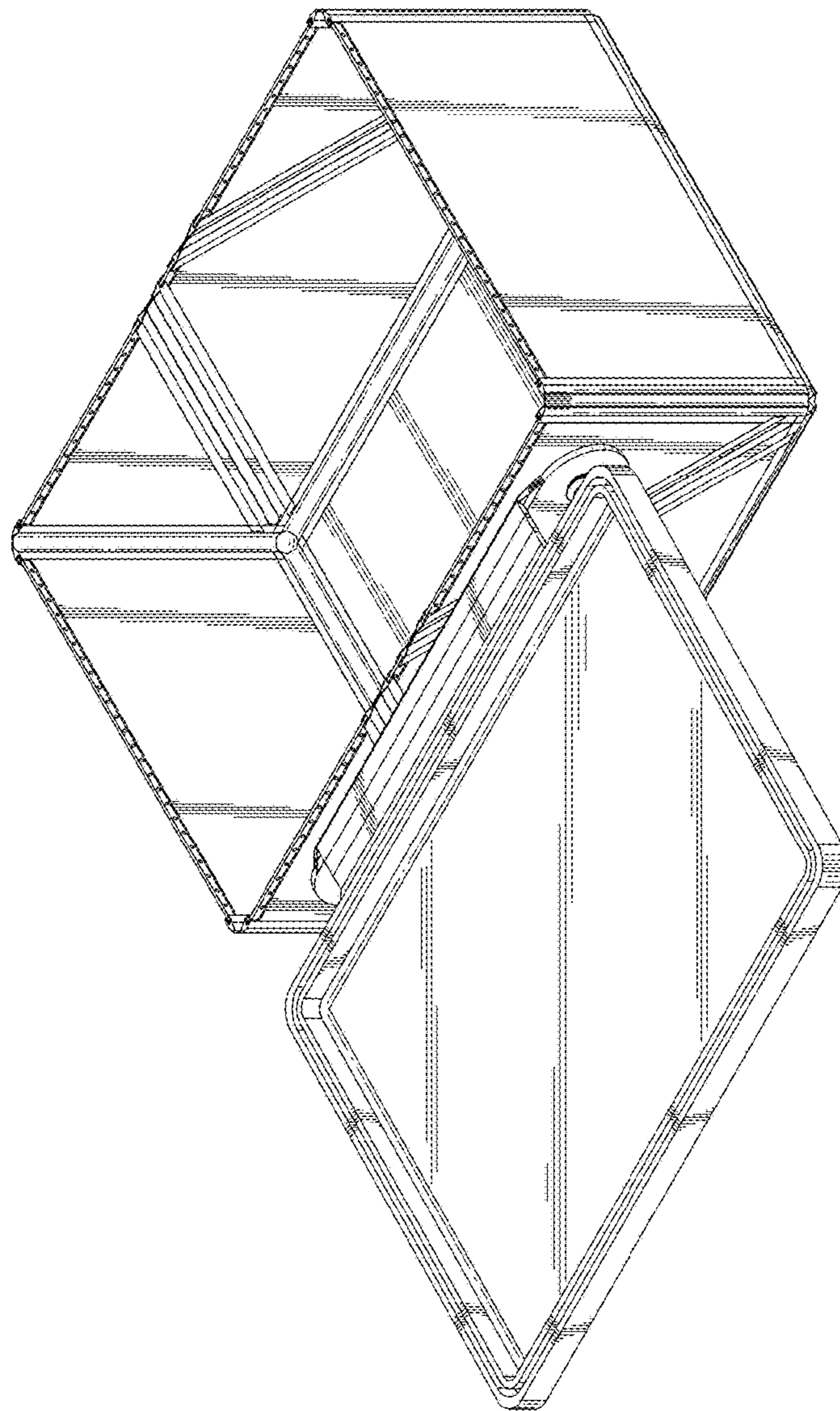


FIG. 9

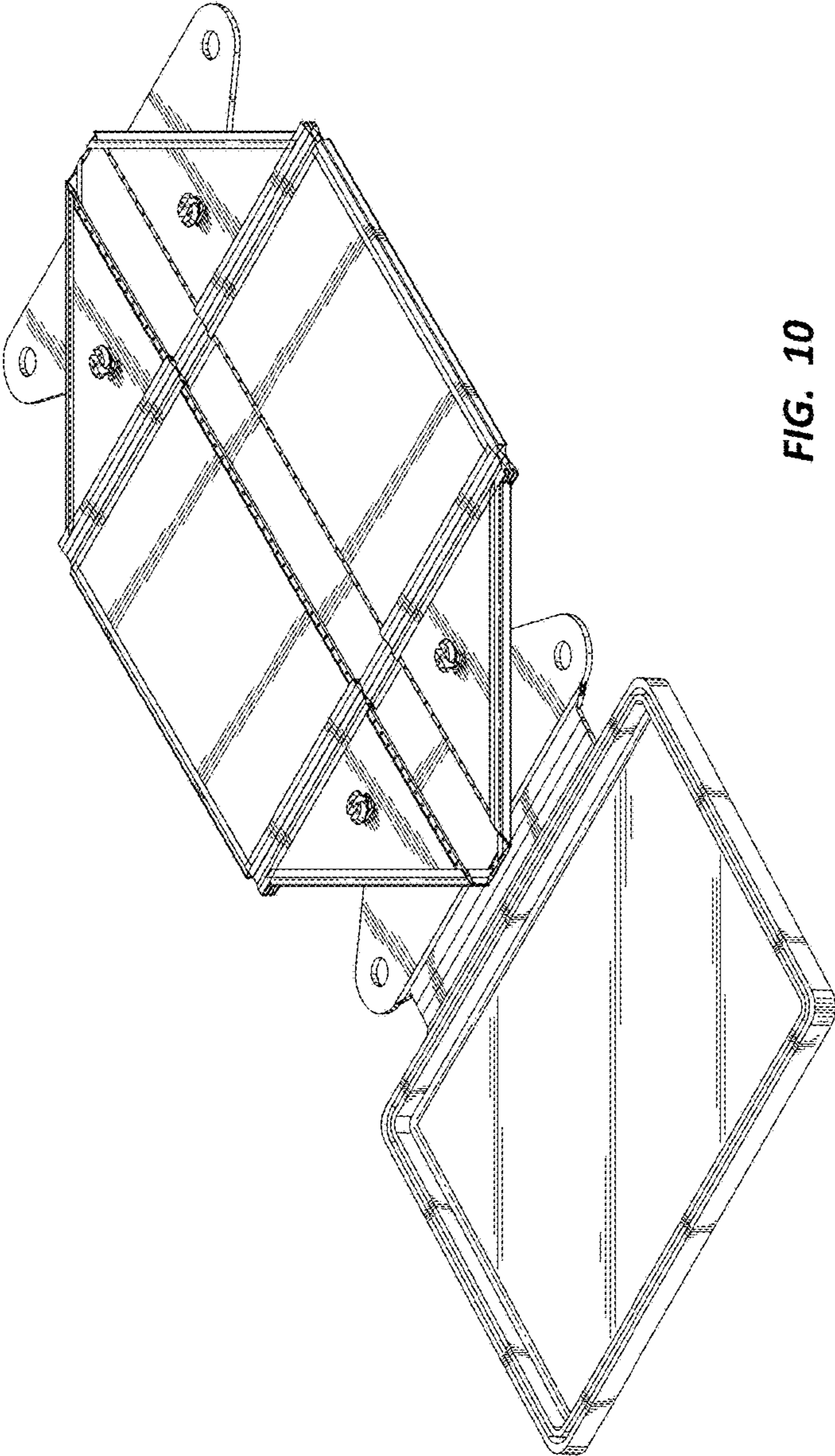


FIG. 10

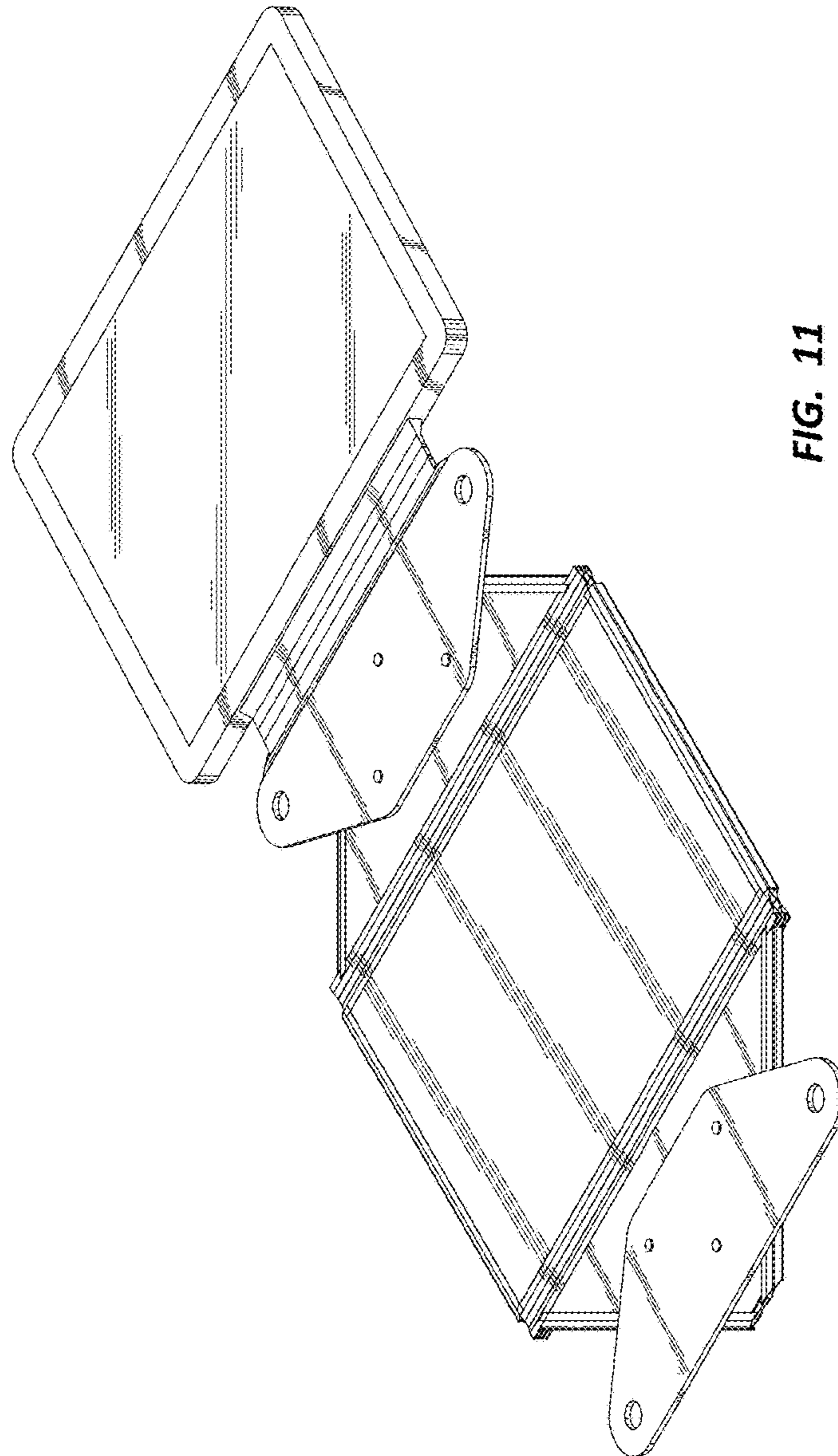


FIG. 11



FIG. 12



FIG. 13

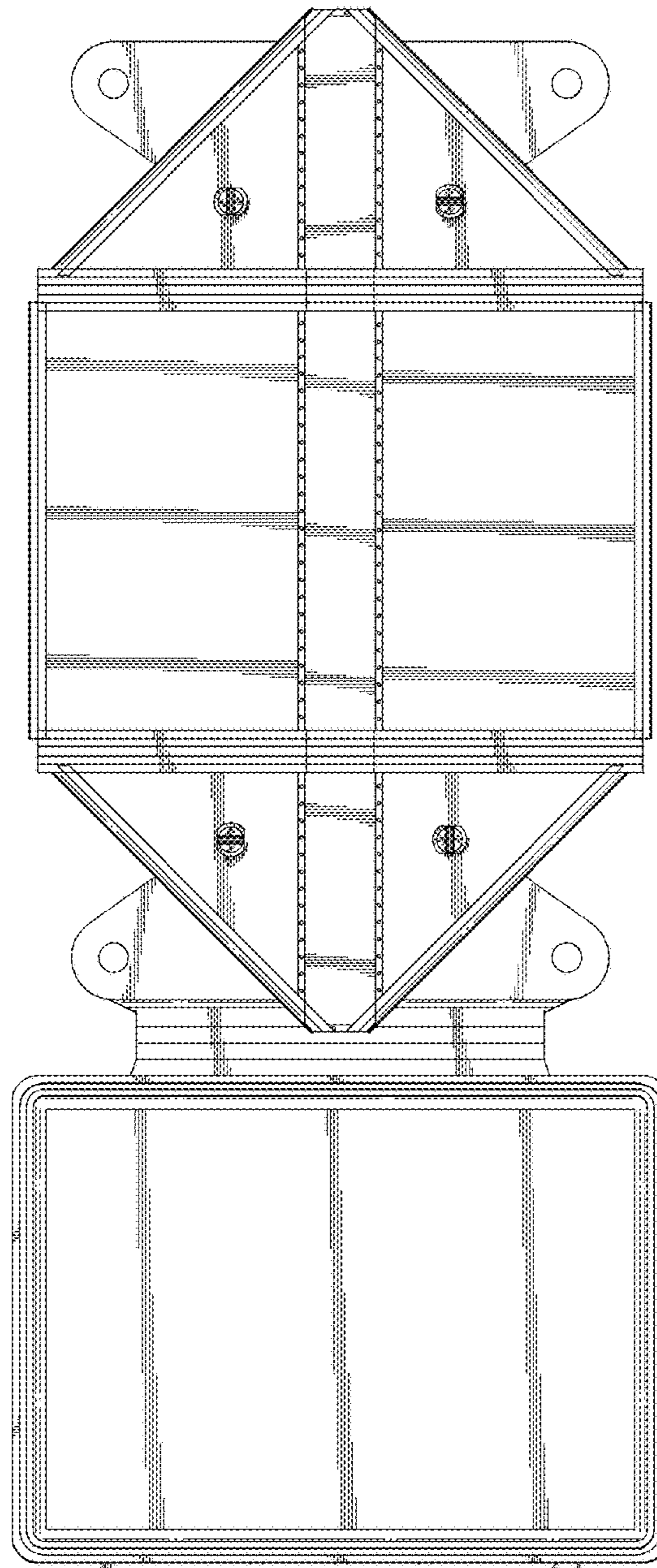


FIG. 14

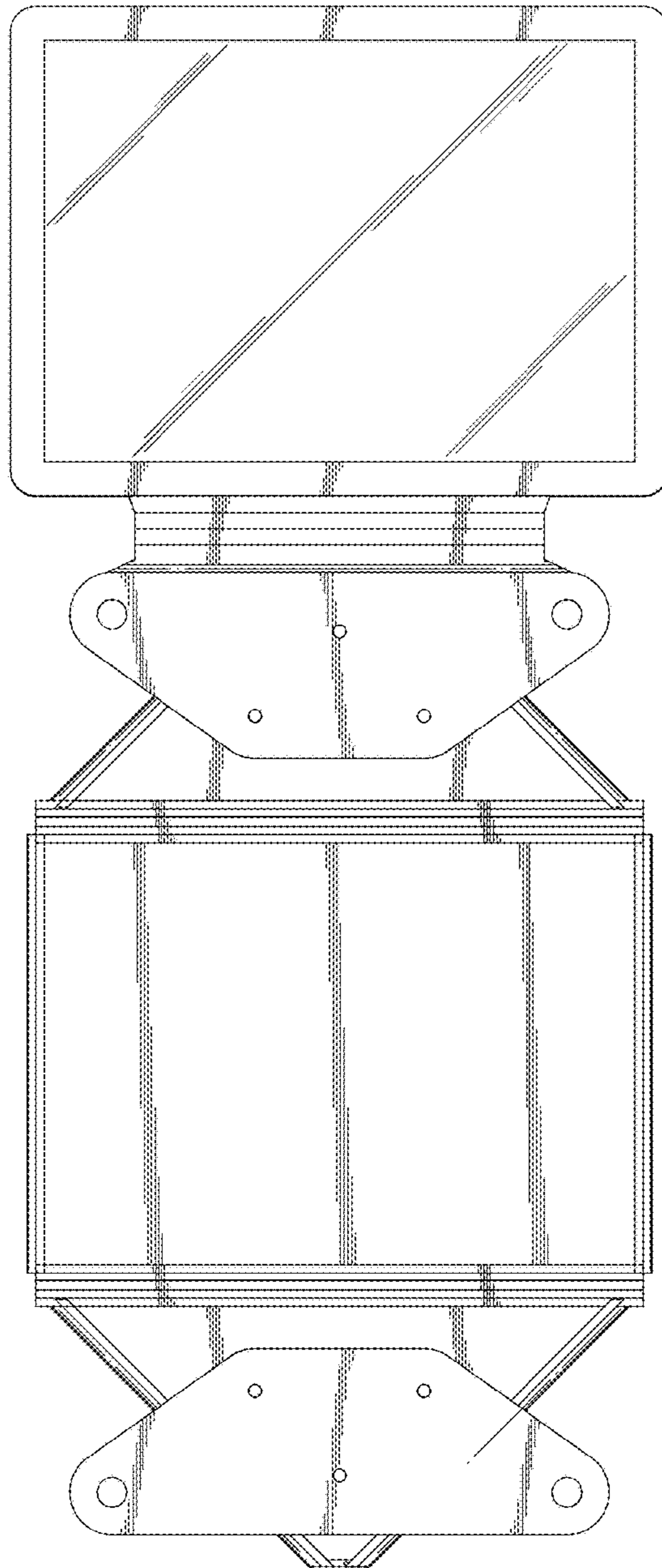


FIG. 15

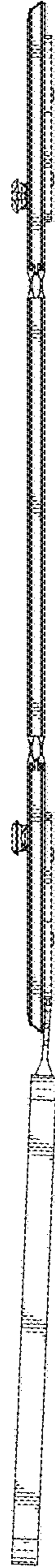


FIG. 16

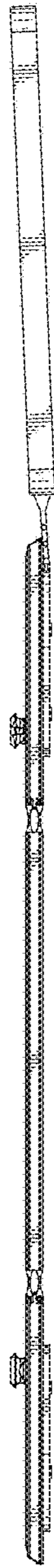


FIG. 17

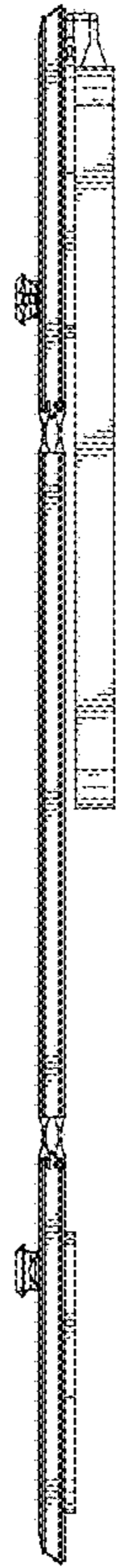


FIG. 18