



US00D836334S

(12) **United States Design Patent** (10) **Patent No.:** **US D836,334 S**
Chung (45) **Date of Patent:** **** Dec. 25, 2018**

(54) **CONVERTIBLE STRAP HANDBAG**

(71) Applicant: **Coral Chung**, Los Altos, CA (US)
(72) Inventor: **Coral Chung**, Los Altos, CA (US)
(**) Term: **15 Years**
(21) Appl. No.: **29/655,800**
(22) Filed: **Jul. 6, 2018**

OTHER PUBLICATIONS

International Search Report, dated Jan. 12, 2018, for corresponding International Application No. PCT/US2017/036009.
(Continued)

Primary Examiner — Holly H Baynham
(74) *Attorney, Agent, or Firm* — Intellectual Property Law Group LLP

(57) **CLAIM**

The ornamental design for a convertible strap handbag, as shown and described.

Related U.S. Application Data

(63) Continuation of application No. 15/614,533, filed on Jun. 5, 2017.
(51) **LOC (11) Cl.** **03-01**
(52) **U.S. Cl.**
USPC **D3/243; D3/217; D3/216**
(58) **Field of Classification Search**
USPC D3/216–217, 232, 243, 246
CPC .. A45C 1/024; A45C 3/06; A45C 7/00; A45C 9/00; A45F 4/02; A45F 3/04
See application file for complete search history.

DESCRIPTION

FIG. 1 is a top, perspective view of a convertible strap handbag embodying my new design;
FIG. 2 is a front view thereof;
FIG. 3 is a rear view thereof;
FIG. 4 is left side elevational view thereof;
FIG. 5 is a right side elevational view thereof;
FIG. 6 is a top view thereof;
FIG. 7 is a bottom view thereof;
FIG. 8 is a front view of a convertible strap handbag showing our claimed design with the strap configured for arm-crook carrying the handbag.
FIG. 9 is a front view of a convertible strap handbag showing our claimed design with the strap configured for shoulder carrying the handbag.
FIG. 10 is a front view of a convertible strap handbag showing our claimed design with the strap configured for hand carrying the handbag.
FIG. 11 is a perspective view of a convertible strap handbag showing our claimed design with the strap configured for crossbody carrying the handbag; and,
FIG. 12 is a side view of a convertible strap handbag showing our claimed design with the strap configured for backpack carrying the handbag.
The broken lines are included for illustrating environment that forms no part of the claimed design; the stitch line represents claimed subject matter.

(56) **References Cited**

U.S. PATENT DOCUMENTS

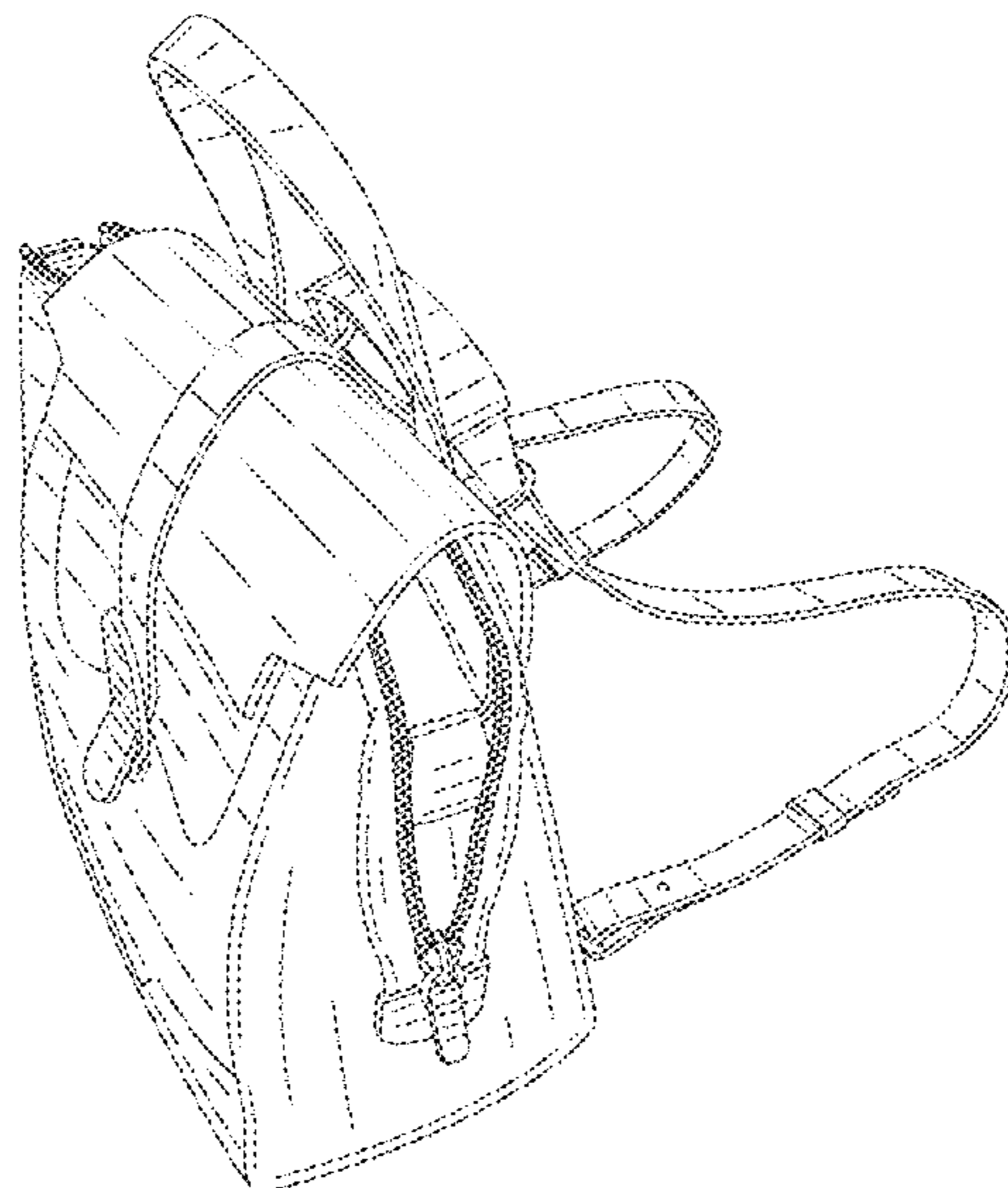
294,622 A 3/1884 Hoeninger
432,607 A 7/1890 Dwyer
4,018,369 A * 4/1977 Jaeger A45F 3/04
224/582
5,797,529 A 8/1998 Lavine
D437,997 S * 2/2001 Ammerman D3/216
D450,448 S * 11/2001 Pierce D3/216
6,471,105 B1 10/2002 Ammerman et al.
D480,866 S * 10/2003 Alfons D3/217

(Continued)

FOREIGN PATENT DOCUMENTS

DE 3002106 A1 7/1981

1 Claim, 7 Drawing Sheets



(56)

References Cited

U.S. PATENT DOCUMENTS

D517,800	S	*	3/2006	de Baschmakoff	D3/216
D624,749	S	*	10/2010	Evans	D3/216
D630,011	S	*	1/2011	Knight	D3/216
D691,792	S	*	10/2013	Robert	D3/216
D785,323	S	*	5/2017	Maierf	D3/243
D786,552	S	*	5/2017	Maier	D3/243
D793,718	S	*	8/2017	Dumas	D3/217
D794,947	S	*	8/2017	Gavriel	D3/217
2010/0213224	A1		8/2010	Barr		
2012/0111680	A1		5/2012	Goolrick		

OTHER PUBLICATIONS

Written Opinion of the International Searching Authority, dated Jan. 12, 2018, for corresponding International Application No. PCT/US2017/036009.

* cited by examiner

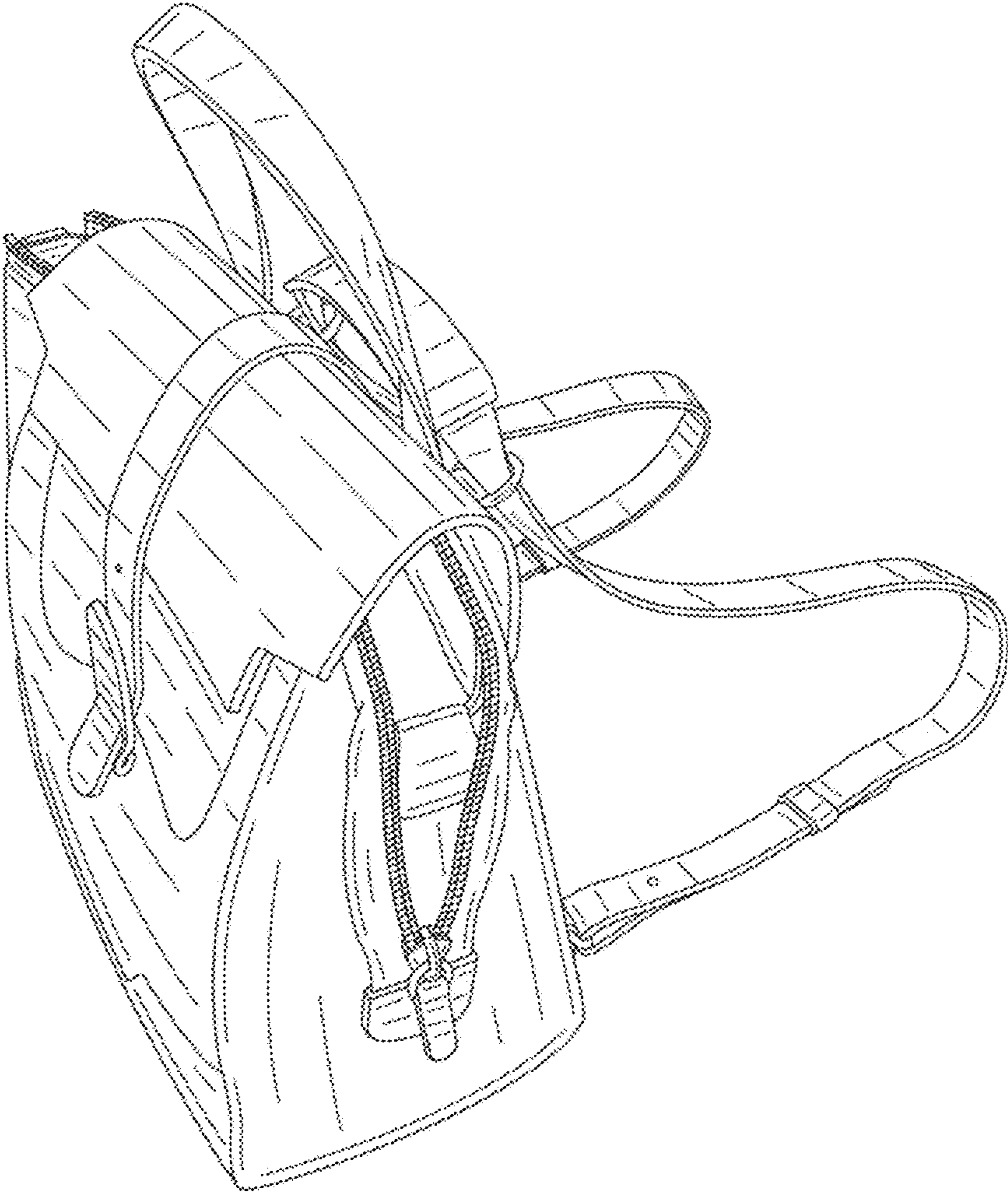


FIG. 1



FIG. 2

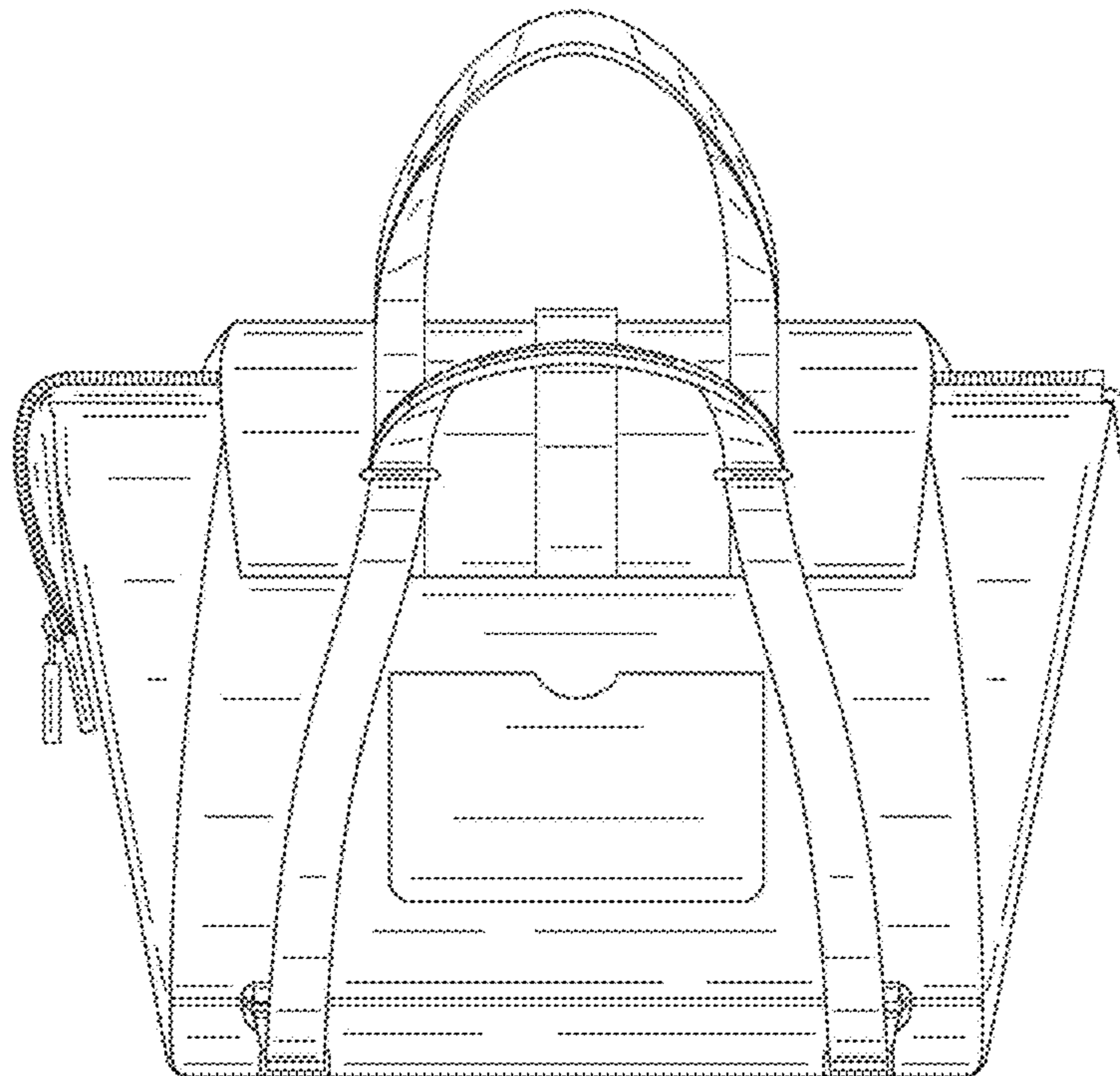


FIG. 3

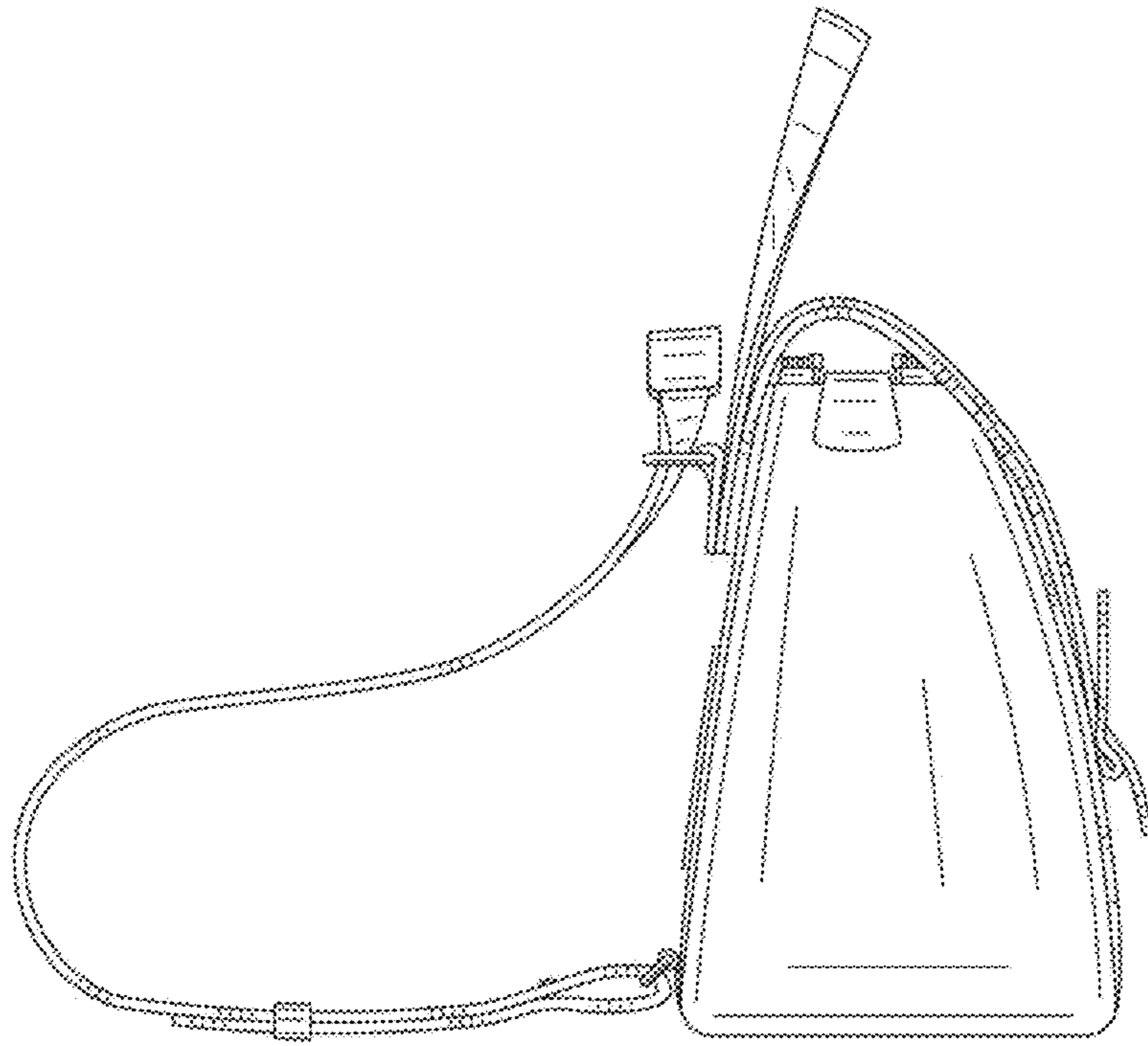


FIG. 4

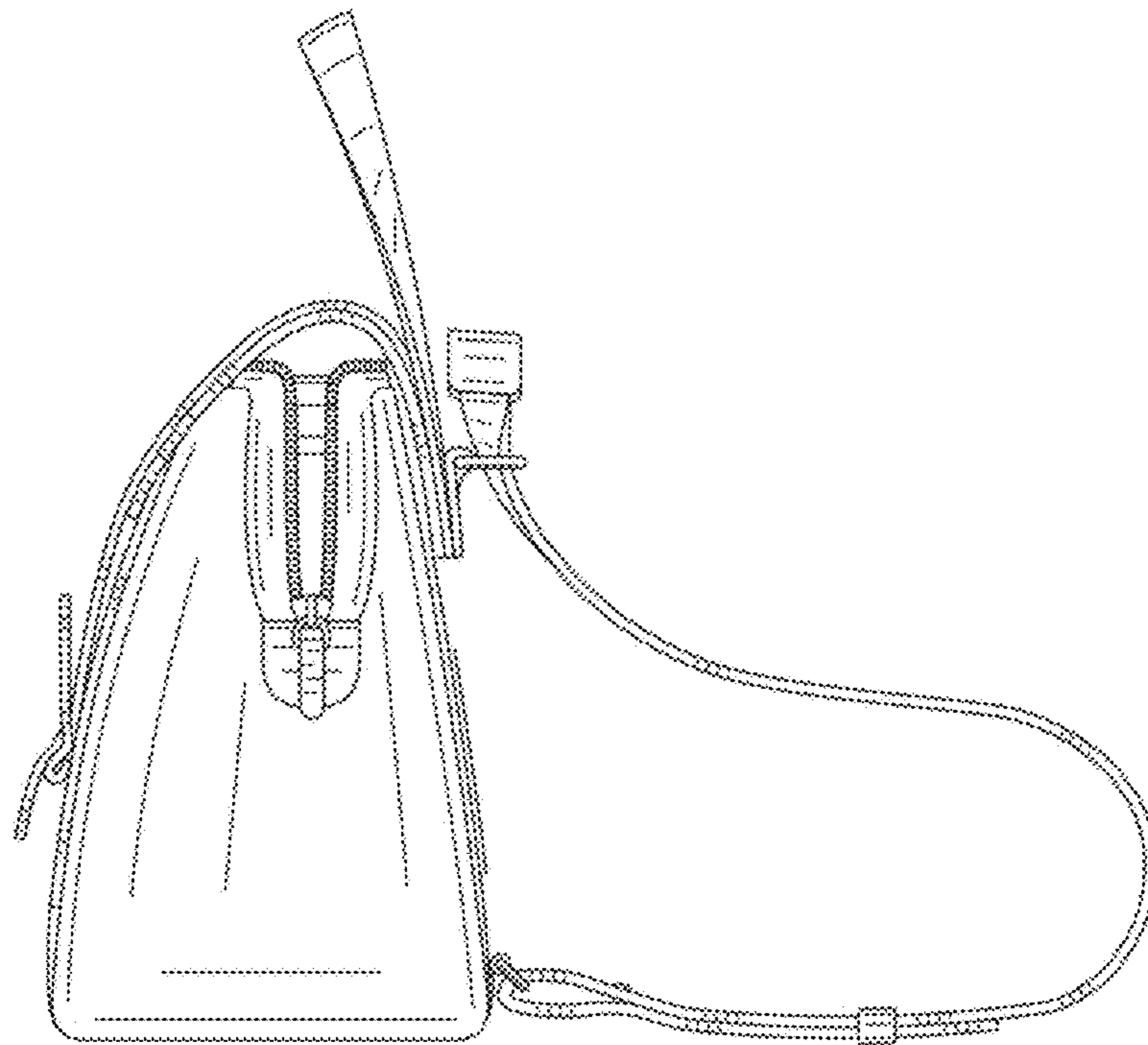


FIG. 5

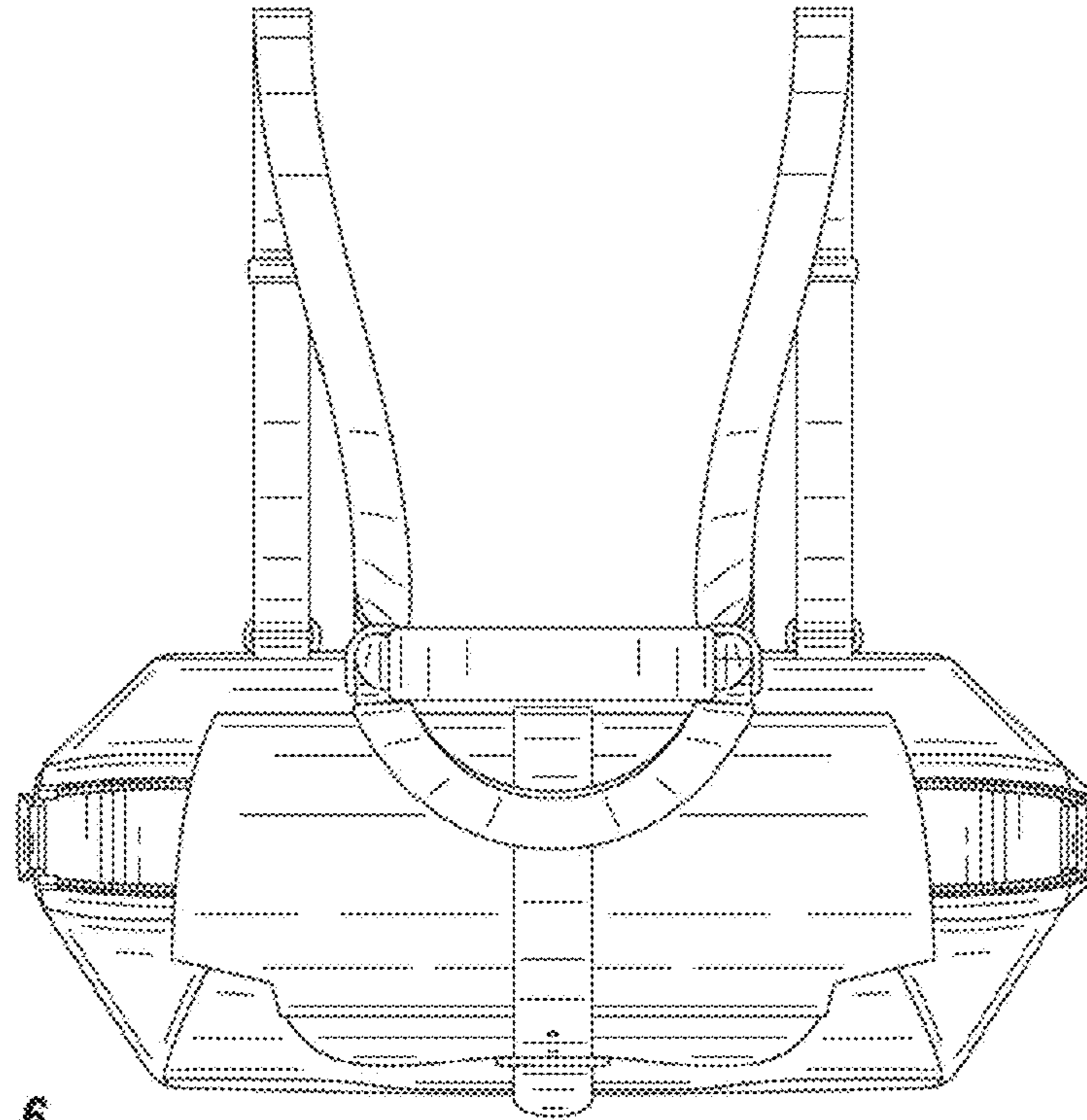


FIG. 6

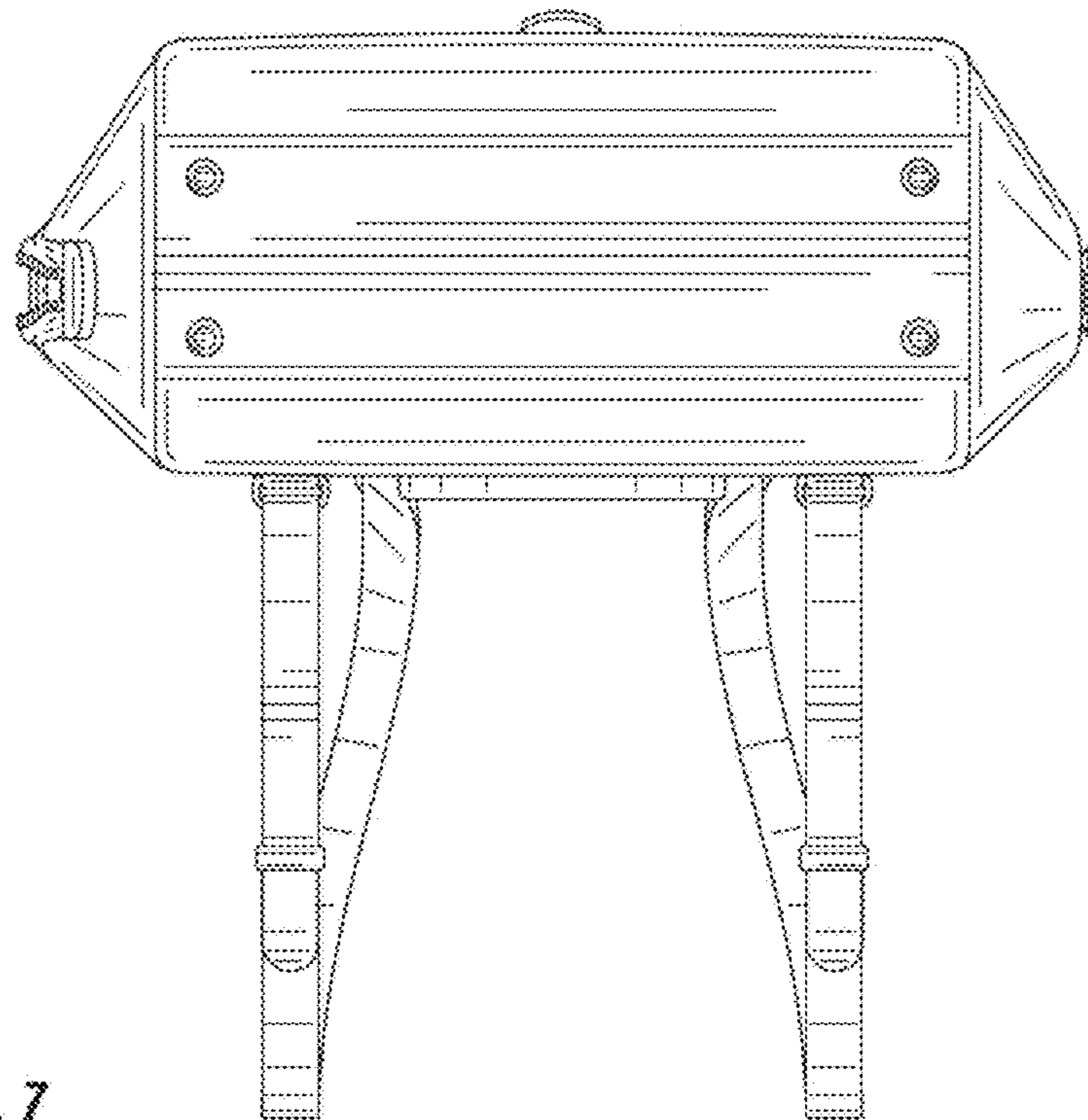


FIG. 7

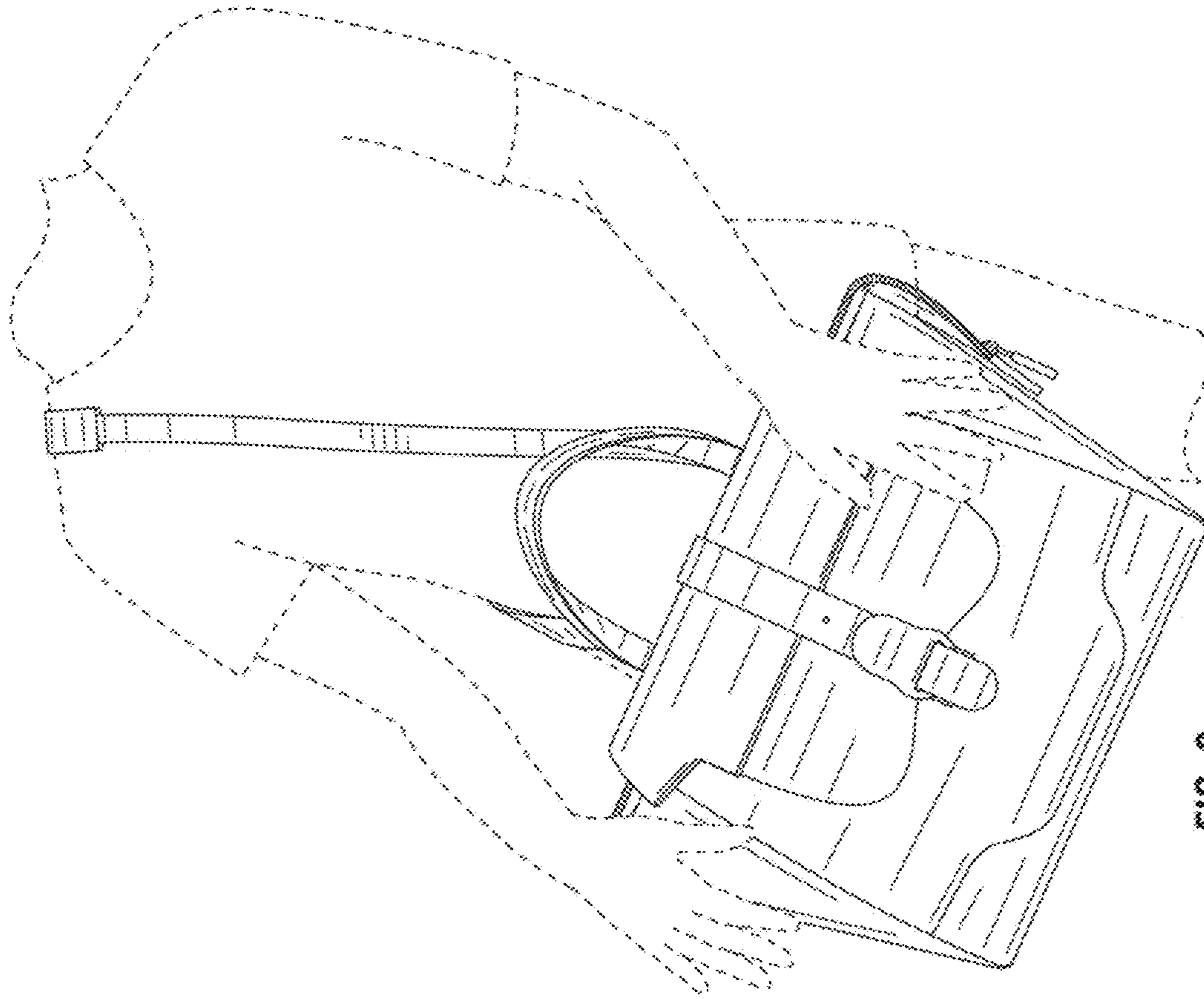


FIG. 9

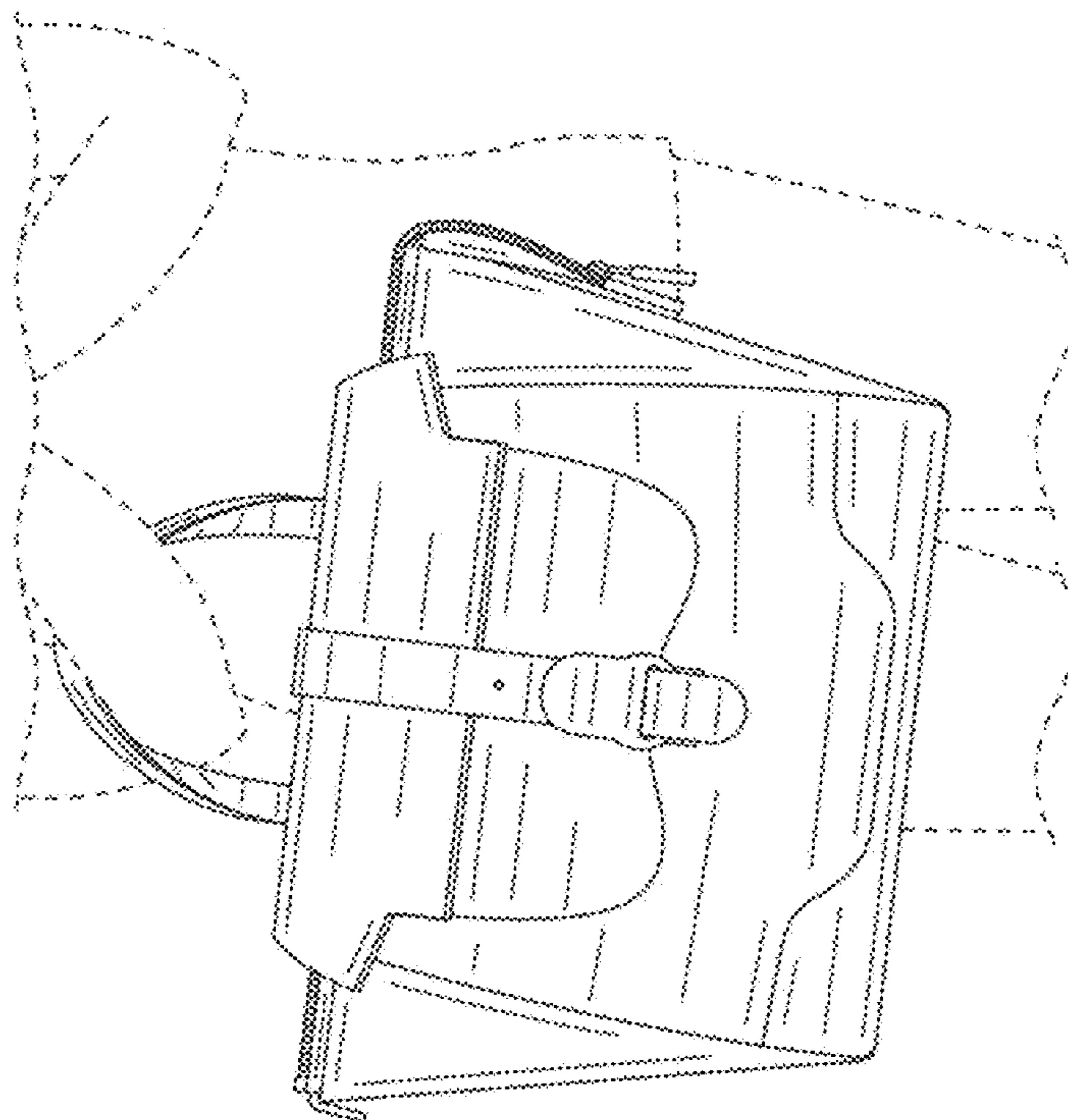


FIG. 8

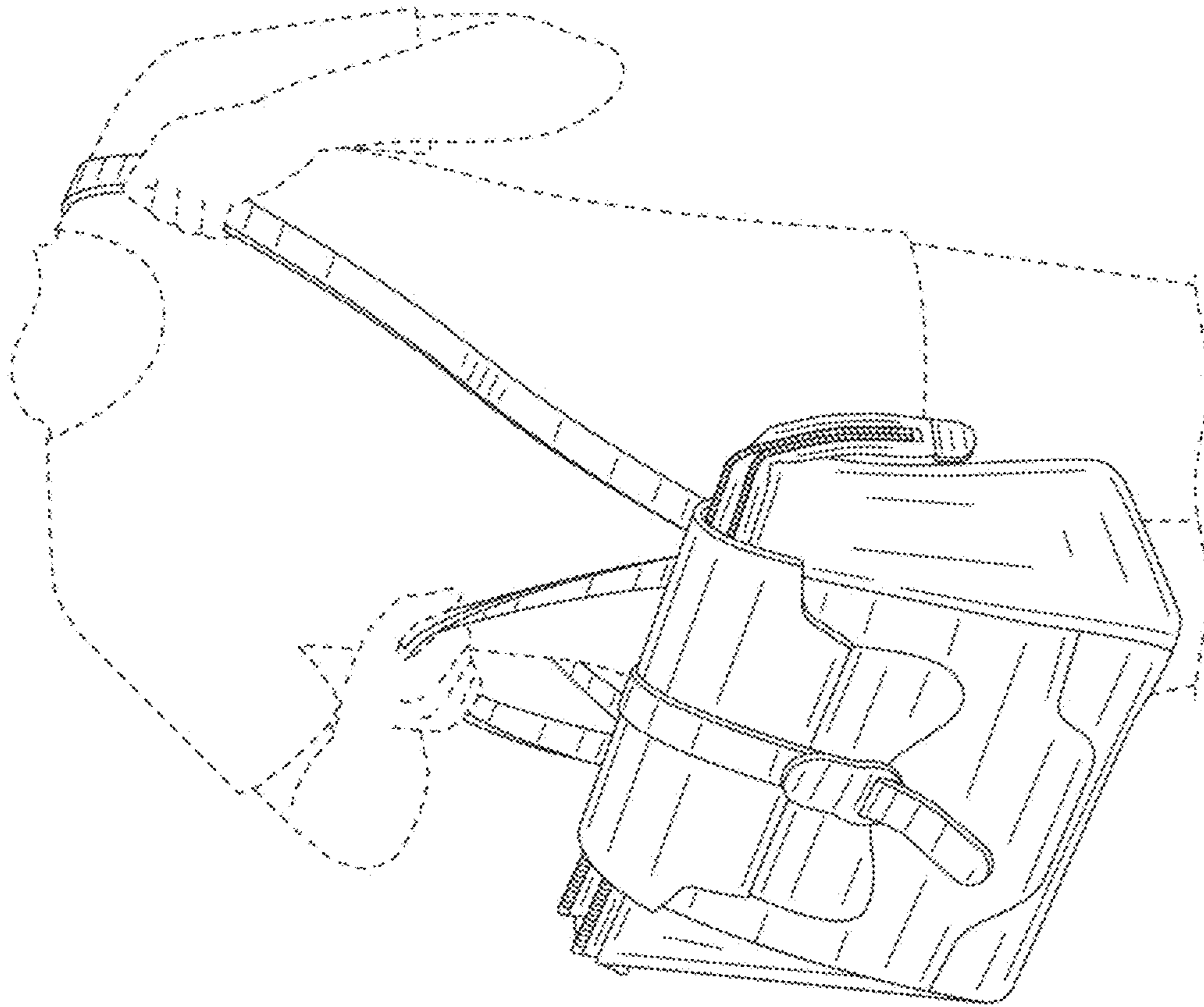


FIG. 11

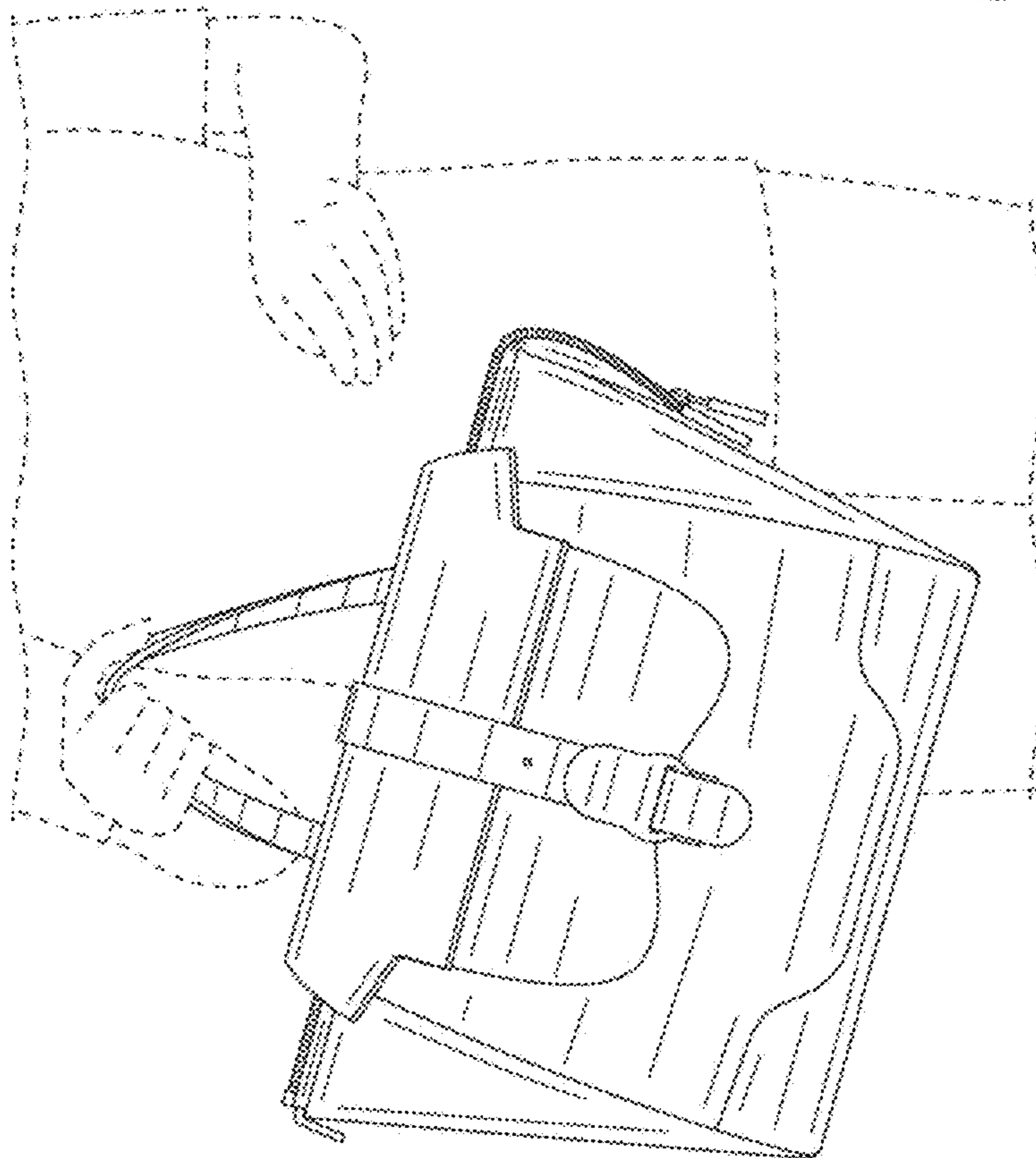


FIG. 10

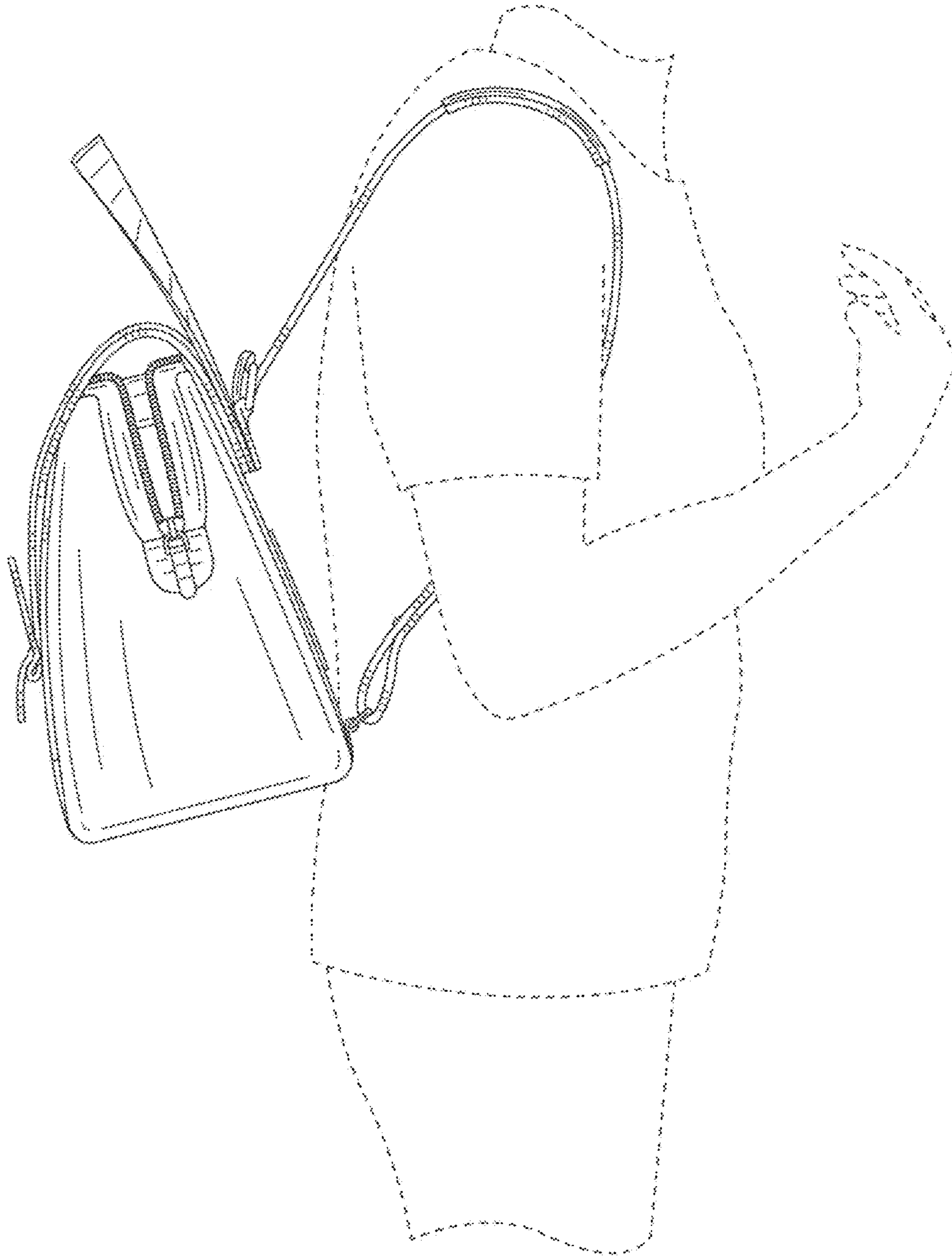


FIG. 12