

US00D836329S

(12) **United States Design Patent**  
**Myers**

(10) **Patent No.:** **US D836,329 S**

(45) **Date of Patent:** **\*\* Dec. 25, 2018**

(54) **GUN HOLSTER**

(71) Applicant: **James Myers**, Abilene, TX (US)

(72) Inventor: **James Myers**, Abilene, TX (US)

(\*\*) Term: **15 Years**

(21) Appl. No.: **29/608,386**

(22) Filed: **Jun. 21, 2017**

(51) **LOC (11) Cl.** ..... **03-01**

(52) **U.S. Cl.**  
USPC ..... **D3/222**

(58) **Field of Classification Search**  
USPC ..... D3/222–223; 224/191–193, 238,  
224/243–244, 911–912  
CPC .... F41C 33/02; F41C 33/041; F41C 33/0209;  
F41C 33/0227; F41C 33/0236; Y10S  
224/911; A45F 3/14

See application file for complete search history.

(56) **References Cited**

**U.S. PATENT DOCUMENTS**

D237,079 S \* 10/1975 Taylor ..... D3/222  
D293,741 S \* 1/1988 Nichols ..... D3/222

D356,677 S \* 3/1995 Kalasountas ..... D3/222  
D718,523 S \* 12/2014 Cox ..... D3/222  
D770,172 S \* 11/2016 Crouch ..... D3/222  
D788,451 S \* 6/2017 Myers ..... D3/222

\* cited by examiner

*Primary Examiner* — Catherine R Oliver-Garcia  
(74) *Attorney, Agent, or Firm* — Eldredge Law Firm,  
LLC; Richard Eldredge; Beth Felix

(57) **CLAIM**

The ornamental design for a gun holster, as shown and described.

**DESCRIPTION**

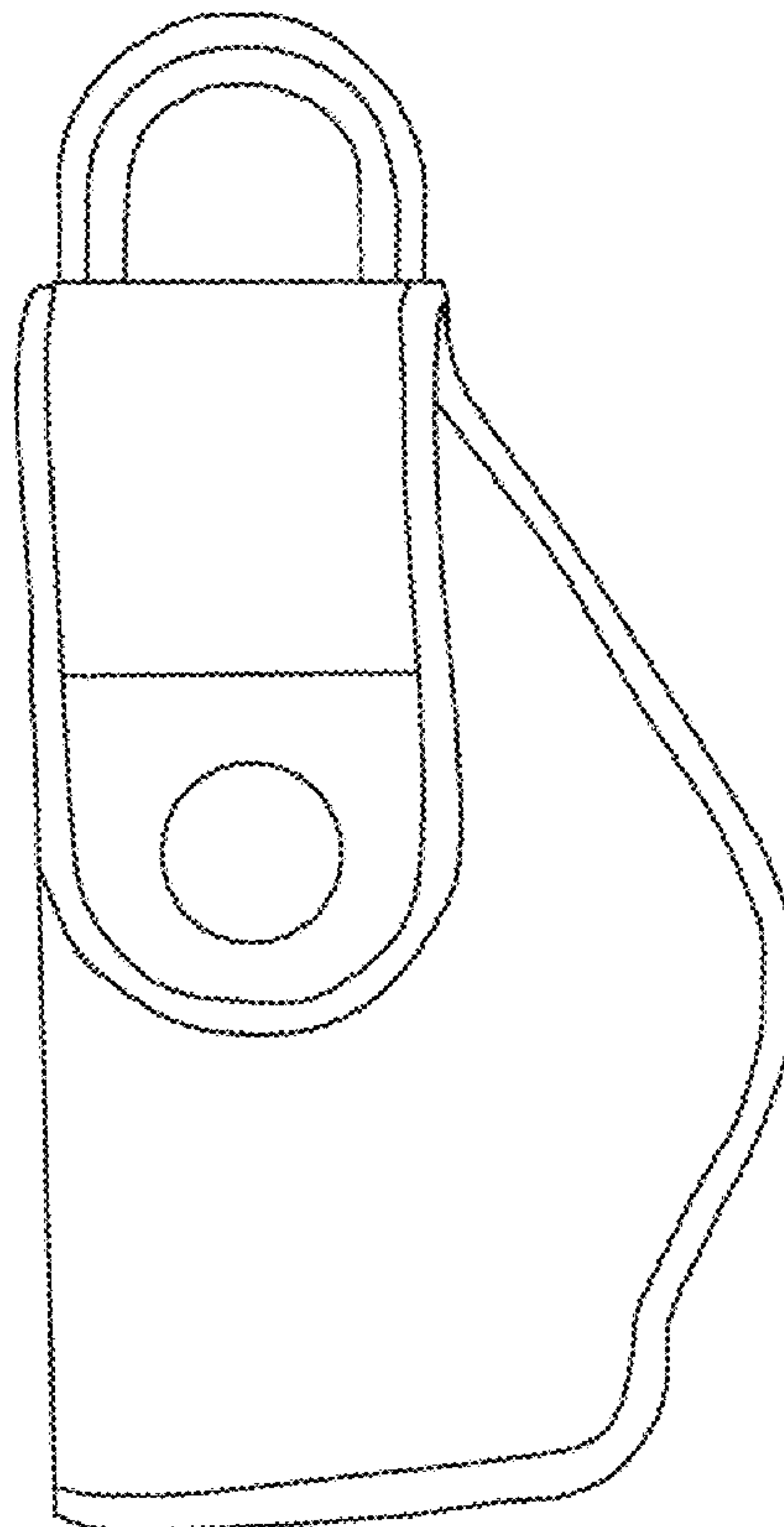
FIG. 1 is a front view of a gun holster according to the present application.

FIG. 2 is a right side view of the gun holster.

FIG. 3 is a left side view of the gun holster; and,

FIG. 4 is top view of the gun holster.

**1 Claim, 1 Drawing Sheet**



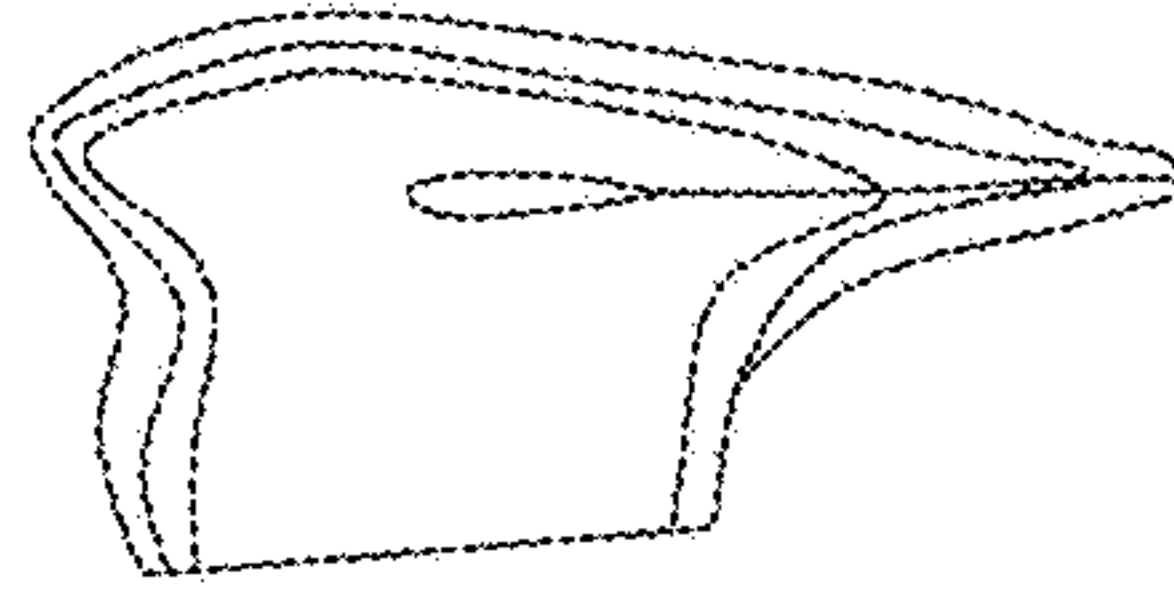


FIG. 4

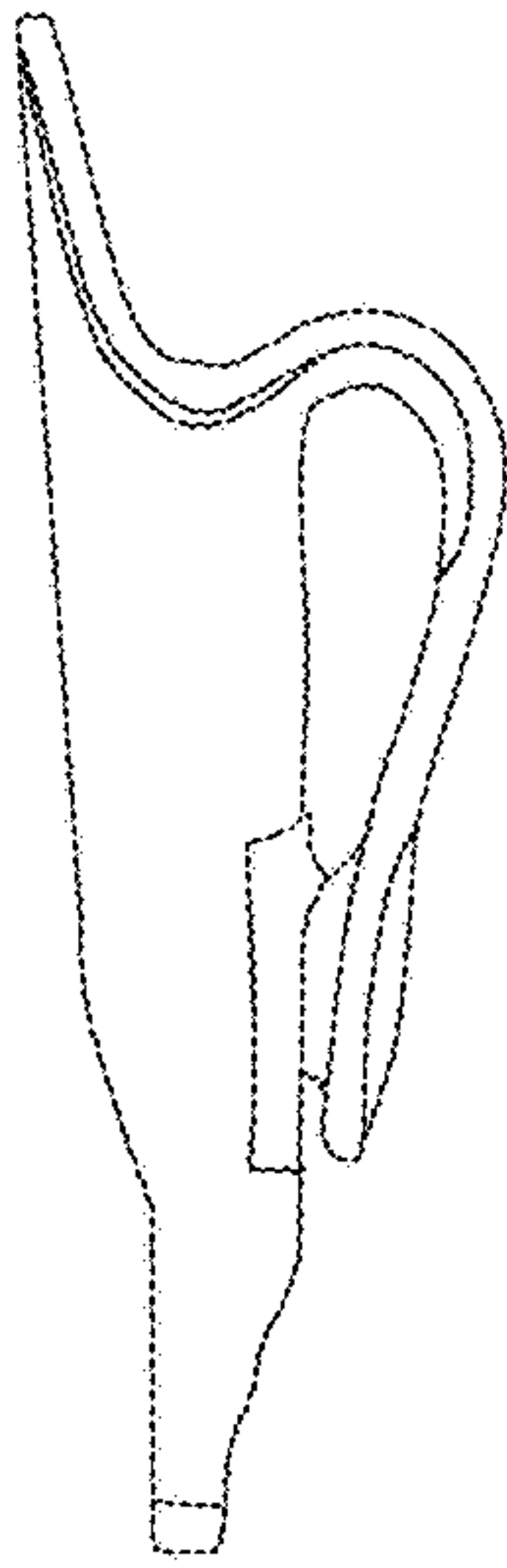


FIG. 3

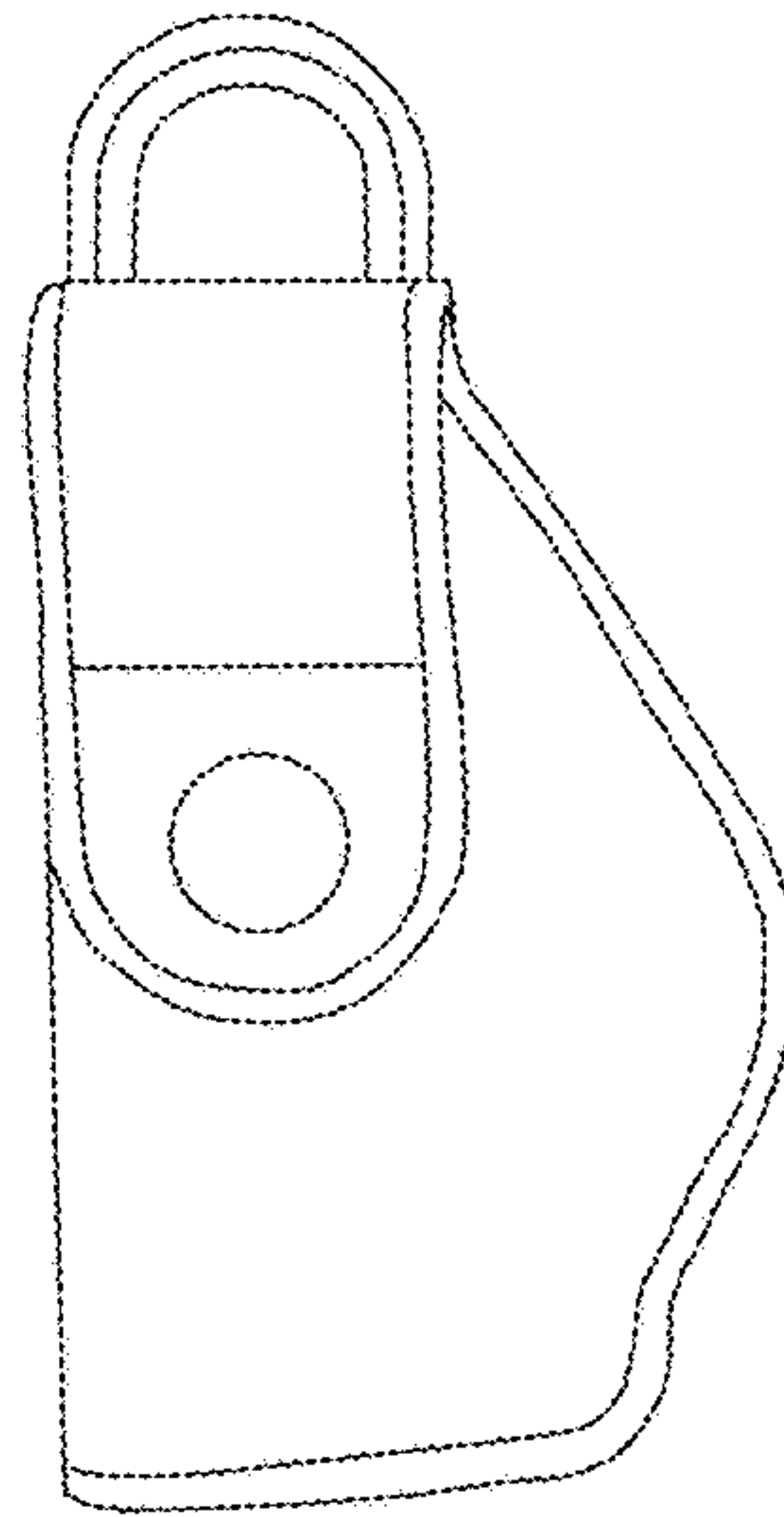


FIG. 1

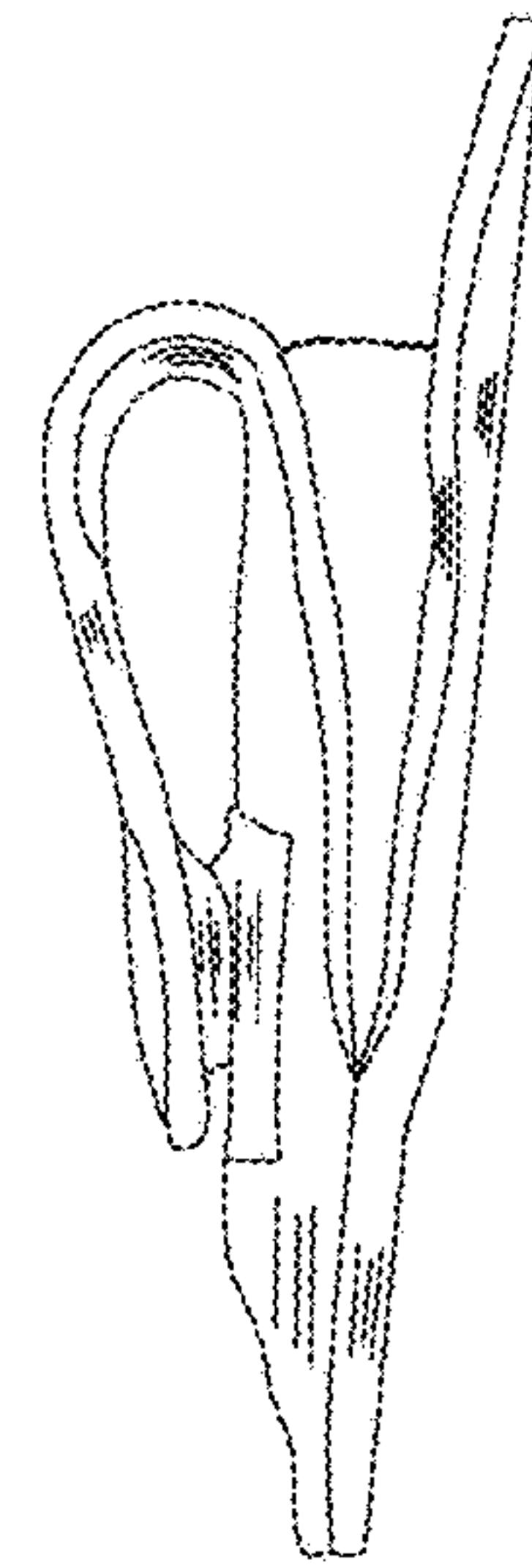


FIG. 2