



US00D836327S

(12) **United States Design Patent** (10) **Patent No.:** **US D836,327 S**
Nye (45) **Date of Patent:** **** Dec. 25, 2018**

- (54) **MOBILE PHONE CASE**
- (71) Applicant: **Jennifer Noel Nye**, Vero Beach, FL (US)
- (72) Inventor: **Jennifer Noel Nye**, Vero Beach, FL (US)
- (**) Term: **15 Years**
- (21) Appl. No.: **29/605,738**
- (22) Filed: **May 30, 2017**
- (51) **LOC (11) Cl.** **03-01**
- (52) **U.S. Cl.**
USPC **D3/218**
- (58) **Field of Classification Search**
USPC D3/218, 215, 219, 201, 224, 226, 228, D3/232, 205, 269, 303; 206/305, 320; 455/575.1–575.8; 379/455; 224/600, 224/605, 625, 682–683, 674, 930
CPC A45F 5/00; A45F 5/02; A45F 5/021; A45F 3/02; A45F 3/14; A45F 2200/0516; A45F 2200/0591; A45C 2011/002; A45C 11/26
See application file for complete search history.

D723,795 S *	3/2015	Kalbach	D3/218
D768,982 S *	10/2016	Stewart	D3/218
D782,184 S *	3/2017	Harris	D3/218
D785,319 S *	5/2017	Telenko	D3/218

* cited by examiner

Primary Examiner — Catherine R Oliver-Garcia
(74) *Attorney, Agent, or Firm* — Andrew Morabito

(57) **CLAIM**

The ornamental design for a mobile phone case, as shown and described.

DESCRIPTION

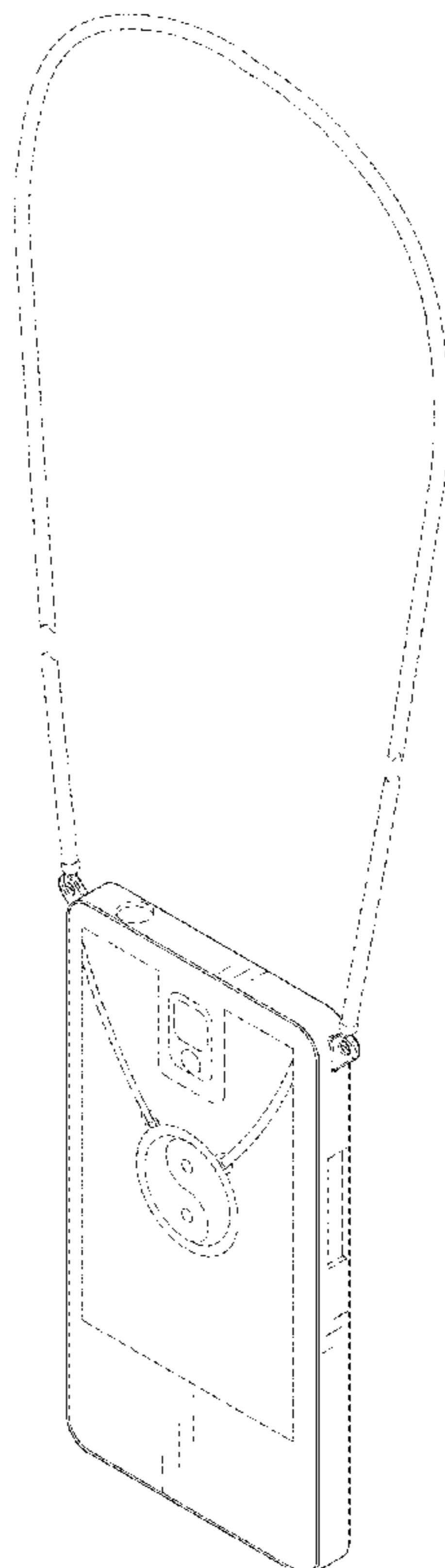
FIG. 1 is an isometric perspective view of a mobile phone case showing my new design;
 FIG. 2 is a rear view of the mobile phone case thereof;
 FIG. 3 is a front view of the mobile phone case thereof;
 FIG. 4 is a side view of the mobile phone case thereof;
 FIG. 5 is an opposite side view of the mobile phone case thereof;
 FIG. 6 is a top plan view of the mobile phone case thereof;
 and,
 FIG. 7 is a bottom plan view of the mobile phone case thereof.
 The broken lines showing a chain/necklace, a mobile phone, and openings in the mobile phone case to allow access to the mobile phone button(s) and connector(s) are for environmental purposes only and form no part of the claimed design.

(56) **References Cited**

U.S. PATENT DOCUMENTS

D499,546 S *	12/2004	Smithers	D3/218
D533,994 S *	12/2006	Hussaini	D3/218
D629,192 S *	12/2010	Pueblo	D3/218

1 Claim, 4 Drawing Sheets



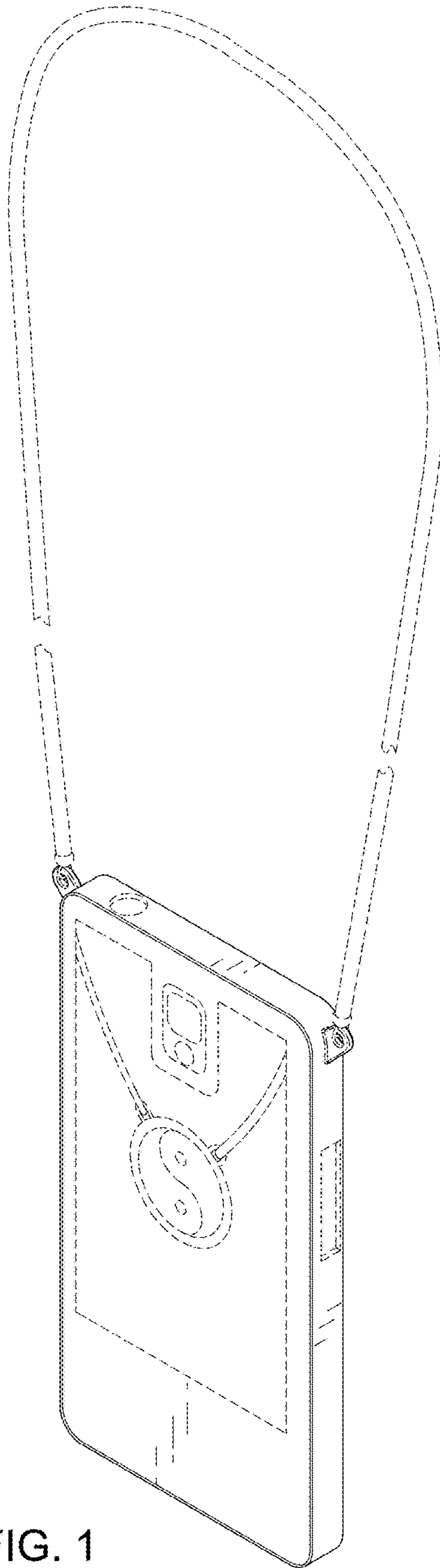


FIG. 1

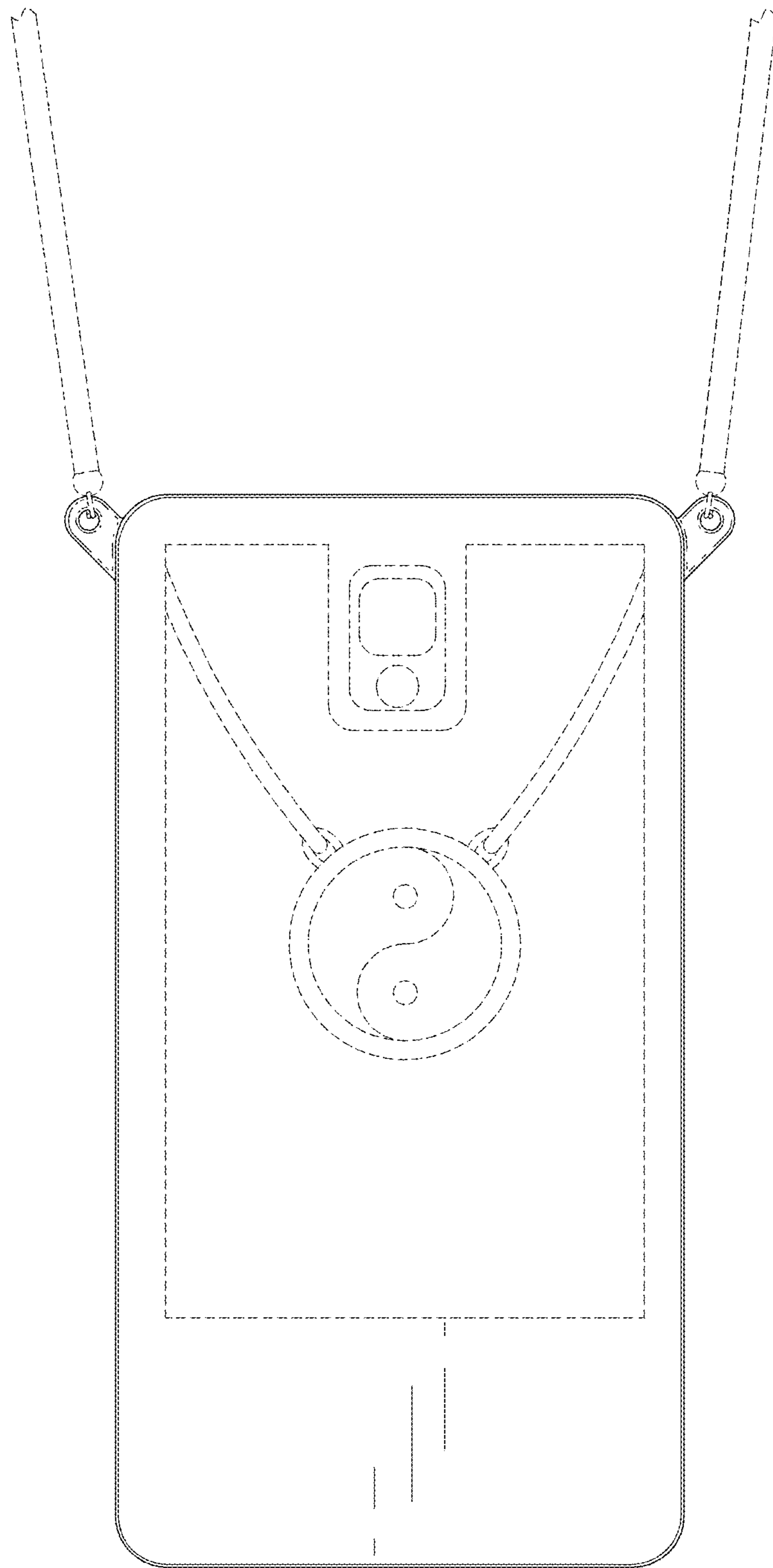


FIG. 2

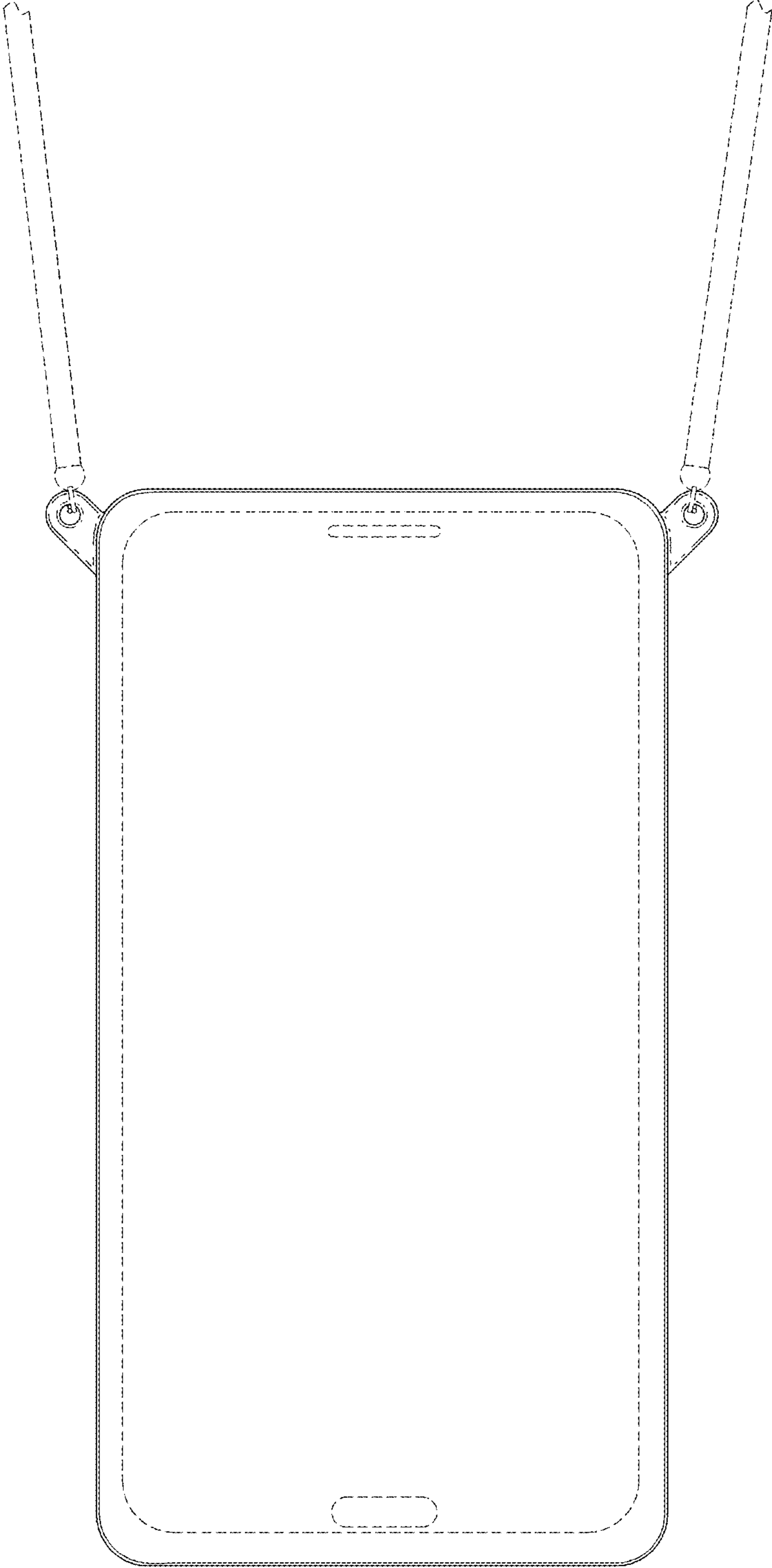


FIG. 3

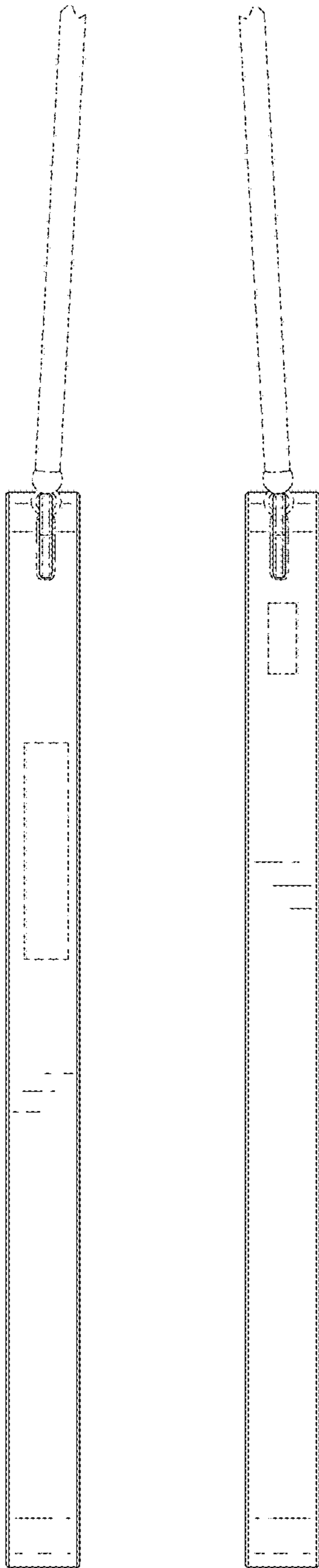


FIG. 4

FIG. 5

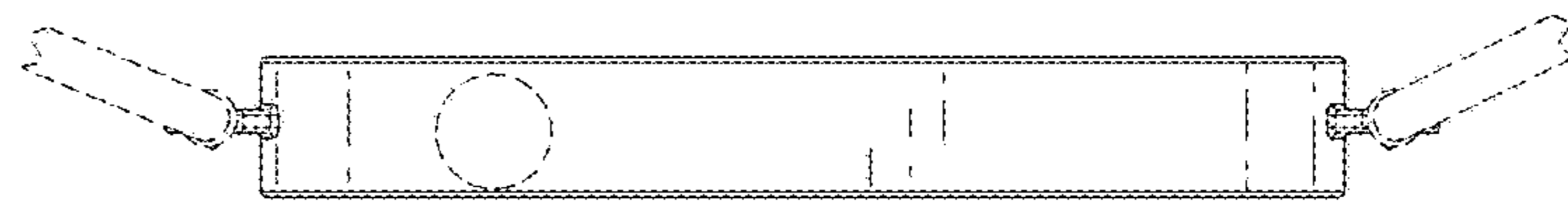


FIG. 6

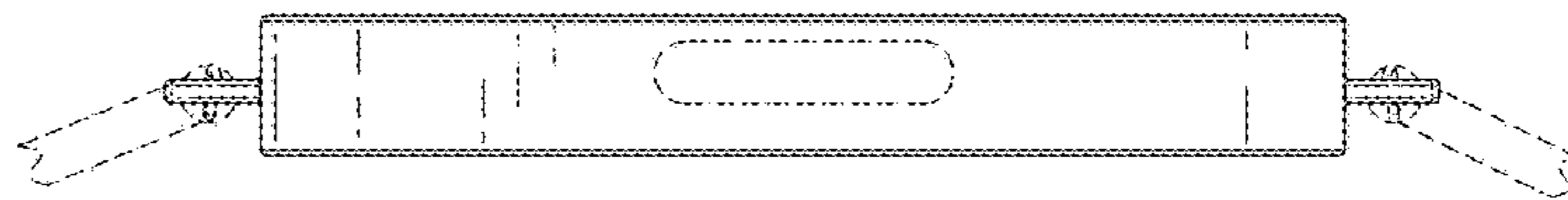


FIG. 7