



US00D836323S

(12) **United States Design Patent** (10) **Patent No.:** **US D836,323 S**
Cin (45) **Date of Patent:** **** Dec. 25, 2018**

(54) **COMPRESSION SOCK**
(71) Applicant: **Michele Dal Cin**, Charlotte, NC (US)
(72) Inventor: **Michele Dal Cin**, Charlotte, NC (US)
(**) Term: **15 Years**
(21) Appl. No.: **29/597,020**
(22) Filed: **Mar. 14, 2017**
(51) **LOC (11) Cl.** **02-04**
(52) **U.S. Cl.**
USPC **D2/980**
(58) **Field of Classification Search**
USPC D2/980-994; D24/192; 2/239-242
CPC . D04B 1/26; D04B 1/265; D04B 1/02; D04B
1/108; D04B 1/12; D04B 1/18; D04B
9/56; D04B 9/52; D04B 15/48; D04B
15/50; D04B 21/18; A61F 13/08; A61F
13/064; A61F 13/066; A61F 13/067;
A61F 11/003; A61F 11/02; A61F 11/00
See application file for complete search history.

(56) **References Cited**
U.S. PATENT DOCUMENTS
D499,807 S * 12/2004 Stauffer D24/192
D538,527 S * 3/2007 Ransan D2/989
D546,462 S * 7/2007 Buethorn D24/190

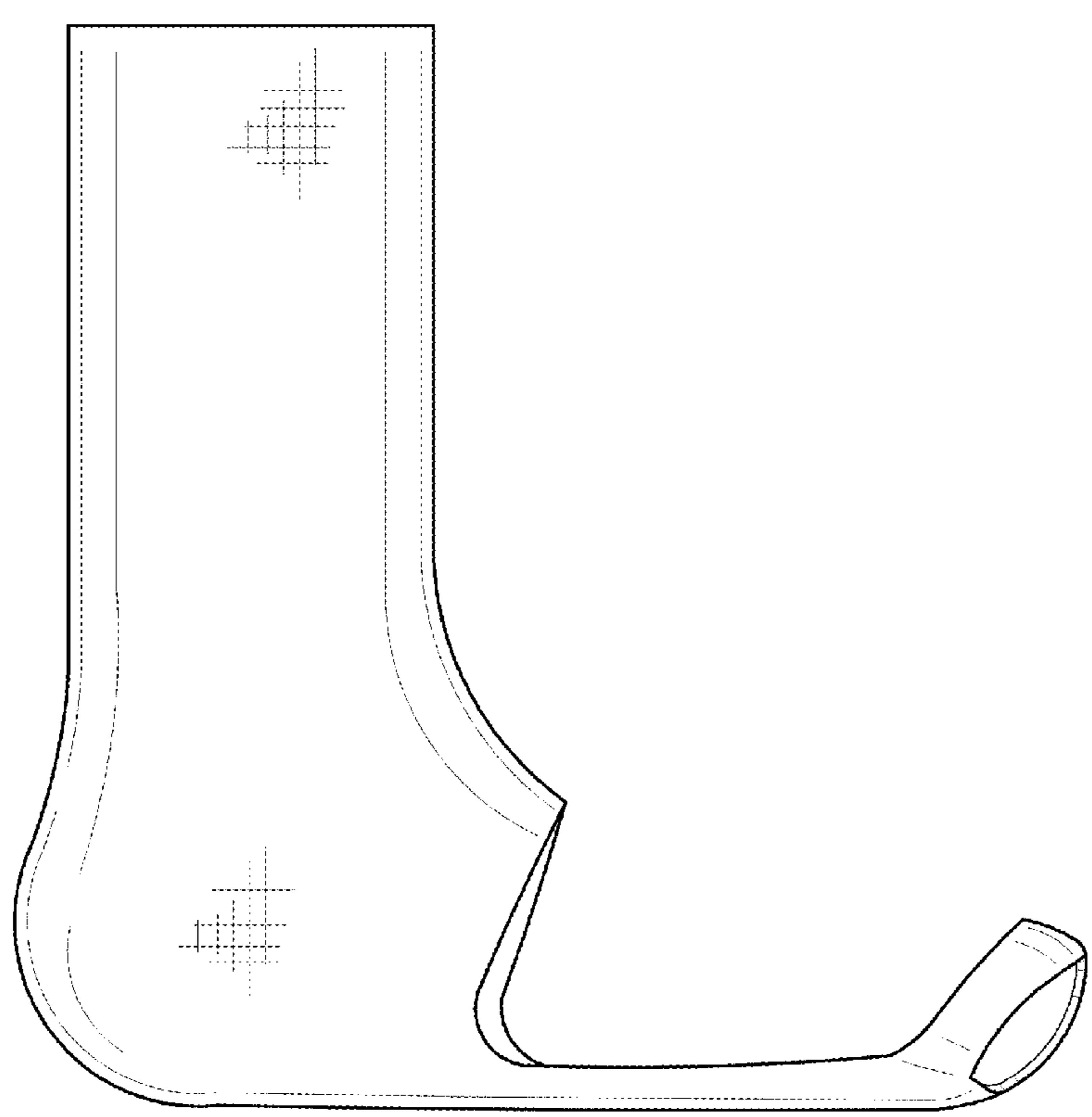
D769,611 S * 10/2016 Ramirez-Tellez Shah D2/980
D803,543 S * 11/2017 Scott D2/980
D803,544 S * 11/2017 Ramirez-Tellez Shah D2/980
D808,029 S * 1/2018 Jimenez D24/192
2002/0172781 A1* 11/2002 Ricci A61F 13/08
428/1.2
2008/0060118 A1* 3/2008 Stuart A41B 11/00
2/240
2010/0050322 A1* 3/2010 Zagula A41B 11/006
2/239
2016/0038346 A1* 2/2016 Collins A61F 13/08
602/63

* cited by examiner
Primary Examiner — Anhdao Doan
Assistant Examiner — Mary Shannon Malley

(57) **CLAIM**
I claim the ornamental design for a compression sock, as shown and described.

DESCRIPTION
FIG. 1 is a left side view of the compression sock.
FIG. 2 is a right side view of the claimed design.
FIG. 3 is a back view of the claimed design.
FIG. 4 is a front view of the claimed design.
FIG. 5 is a top view of the claimed design; and,
FIG. 6 is a bottom view of the claimed design.

1 Claim, 4 Drawing Sheets



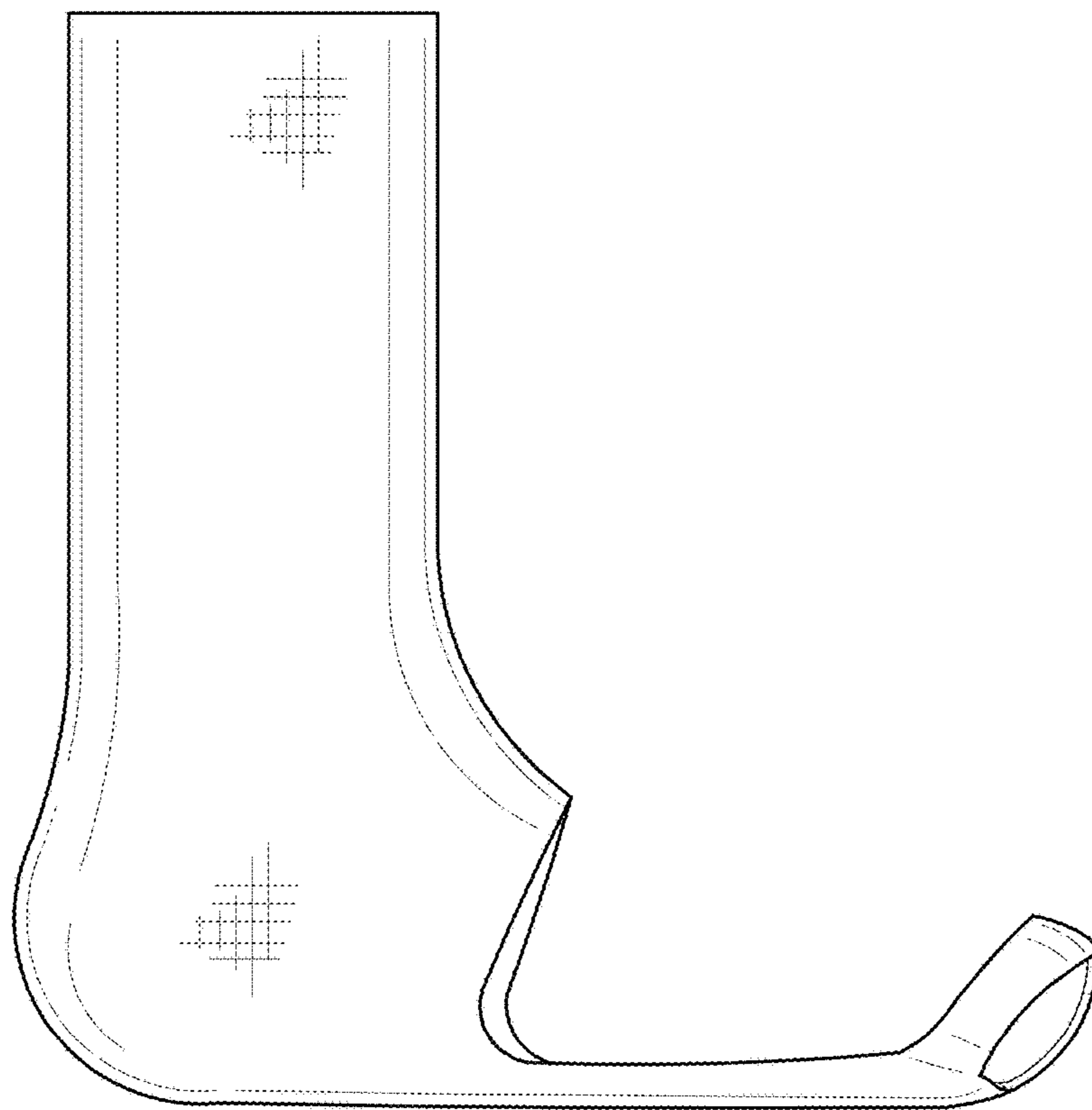


FIG. 1

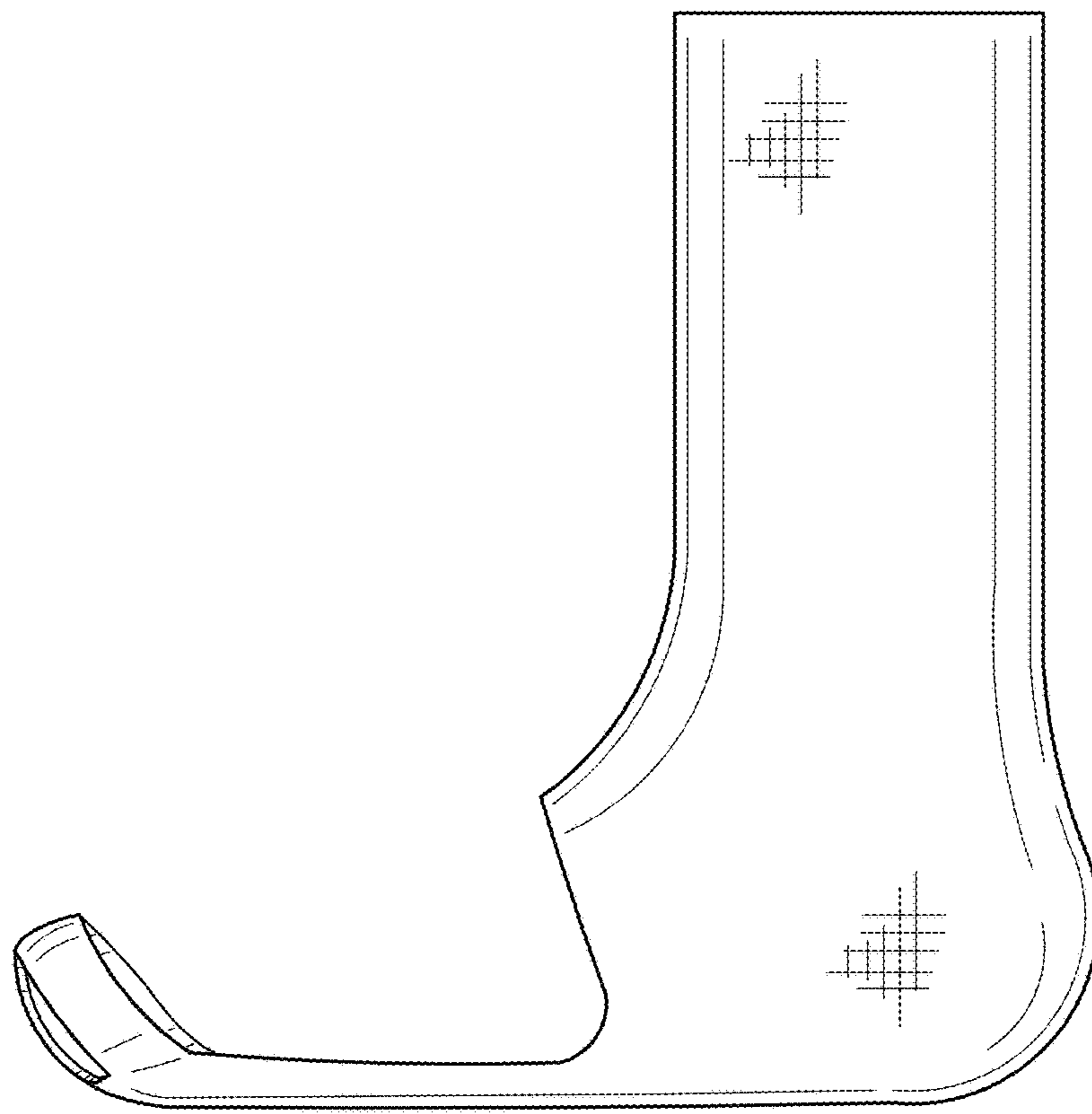


FIG. 2

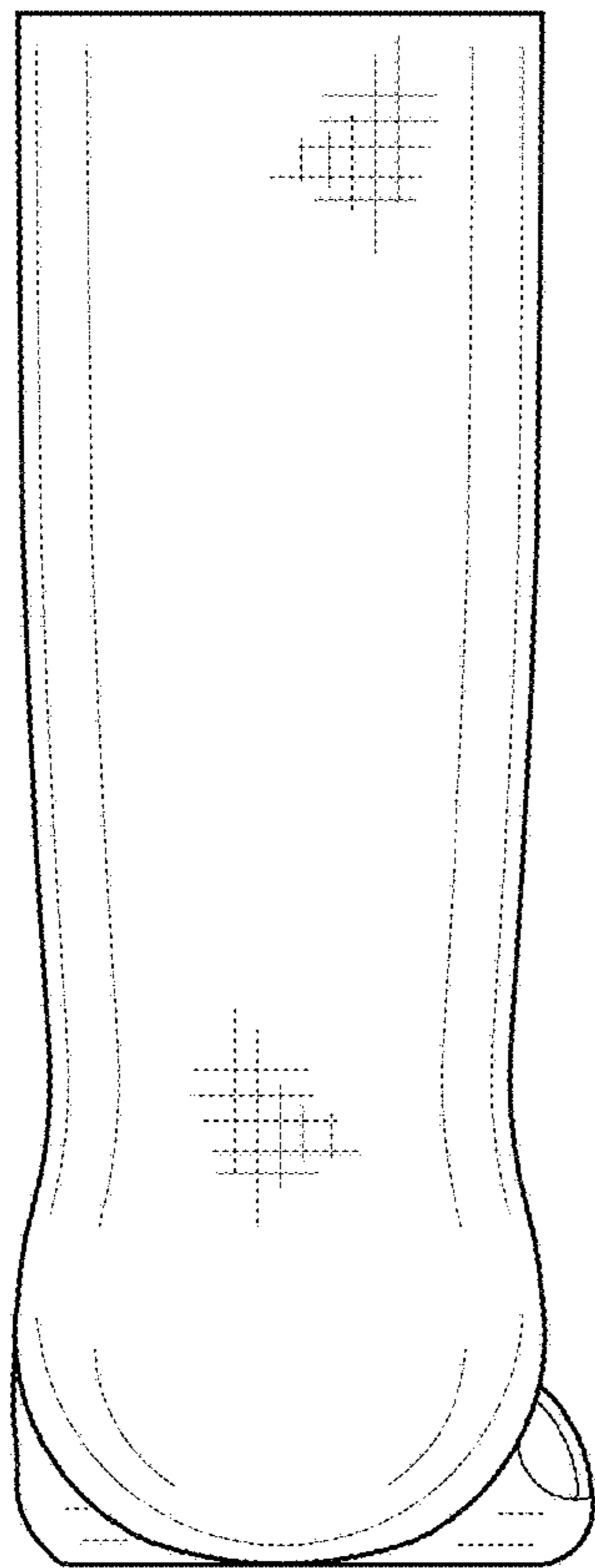


FIG. 3

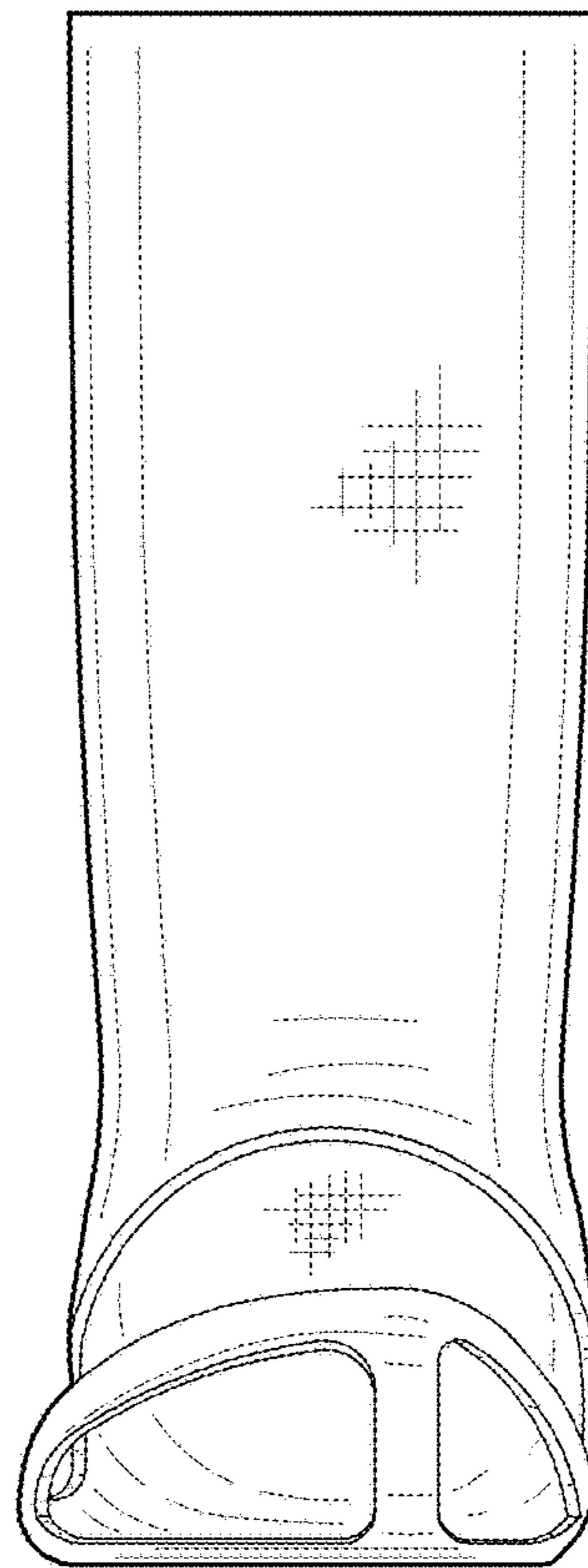


FIG. 4

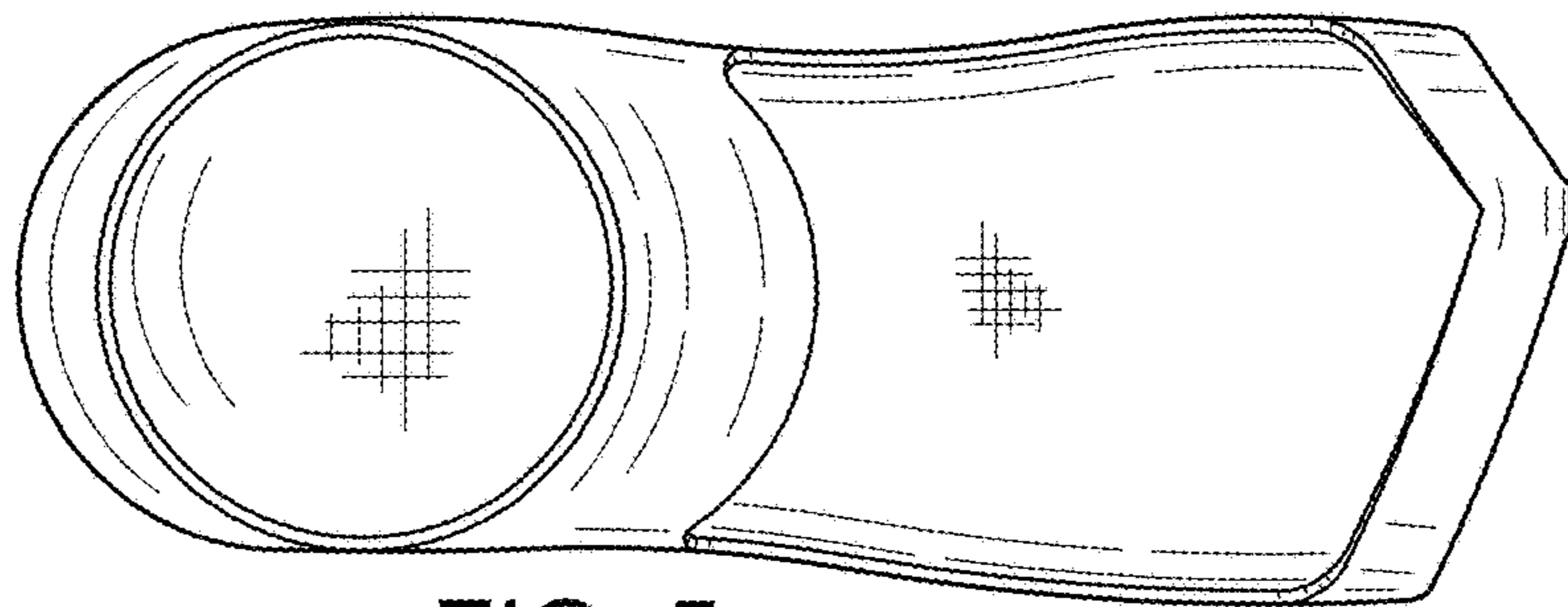


FIG. 5

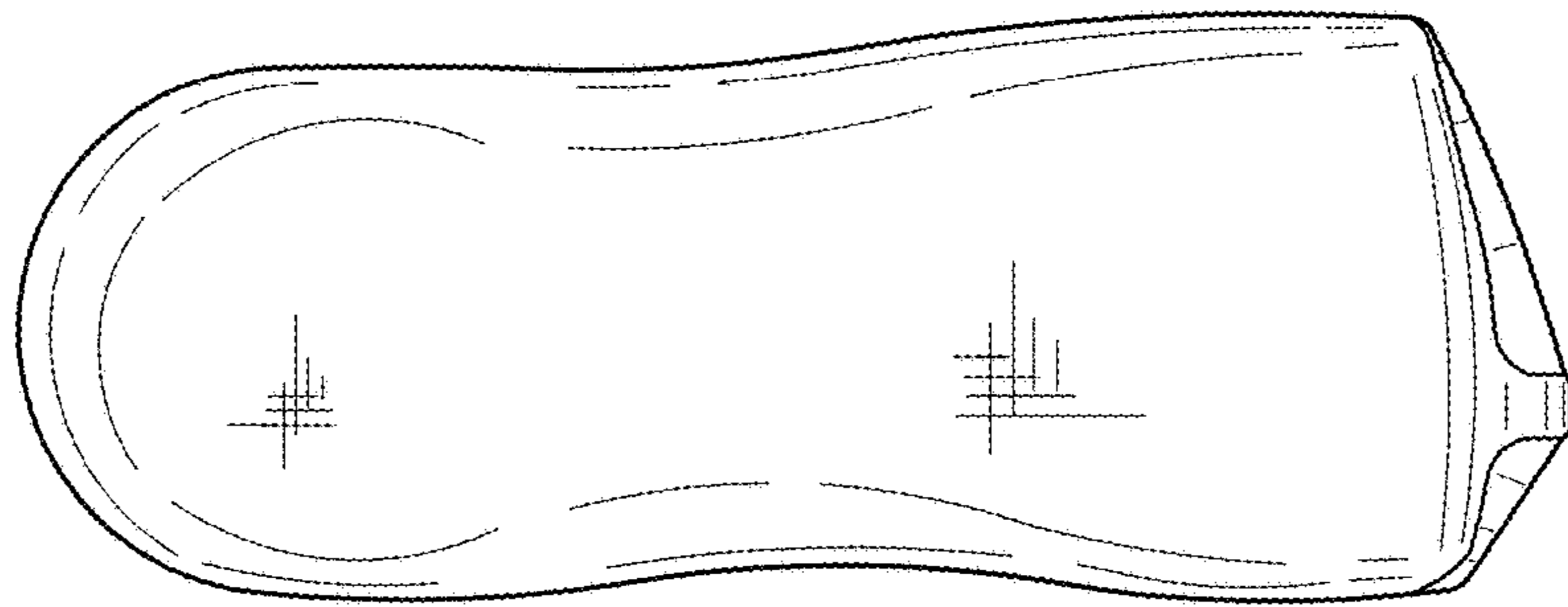


FIG. 6