



US00D836318S

(12) **United States Design Patent** (10) **Patent No.:** **US D836,318 S**
Petrie (45) **Date of Patent:** **** Dec. 25, 2018**

(54) **SHOE**
(71) Applicant: **NIKE, Inc.**, Beaverton, OR (US)
(72) Inventor: **Jason G. Petrie**, Portland, OR (US)
(73) Assignee: **NIKE, Inc.**, Beaverton, OR (US)
(**) Term: **15 Years**

(21) Appl. No.: **29/649,668**
(22) Filed: **May 31, 2018**
(51) **LOC (11) Cl.** **02-99**
(52) **U.S. Cl.**
USPC **D2/972**
(58) **Field of Classification Search**
USPC D2/896, 902, 906-908, 946, 969, 970,
D2/972-974; D5/47, 49, 50, 53, 54, 60
CPC ... A43B 13/181; A43B 13/141; A43B 13/186;
A43B 13/188; A43B 23/00; A43B 23/02;
A43B 5/00; A43B 23/26; A43B 1/04;
A43B 11/14; A43B 7/00; A43B 3/12;
A43C 3/00; A43C 5/00; A43C 7/00;
A43C 11/004
See application file for complete search history.

(56) **References Cited**
U.S. PATENT DOCUMENTS
D272,012 S 1/1984 Trevisani
D330,967 S 11/1992 Aveni et al.
D413,196 S 8/1999 Hatfield
D418,284 S 1/2000 Hlavacs
D420,499 S 2/2000 Dolinsky
D431,899 S * 10/2000 Cooper D2/972
D452,608 S 1/2002 McDowell
D452,990 S 1/2002 McDowell
D461,304 S * 8/2002 Clegg D2/972
D461,951 S 8/2002 Hlavacs
D474,006 S 5/2003 Schroeder et al.
D479,036 S 9/2003 Matis
D485,430 S 1/2004 McDowell

D491,718 S 6/2004 Link
D513,114 S 12/2005 Jonsson
D513,849 S 1/2006 Hull
D513,856 S 1/2006 Fullum
D514,789 S 2/2006 Robbins et al.
(Continued)

OTHER PUBLICATIONS

Kith X Nike LeBron 15 Collection Releases on Dec. 30 [online], [retrieved May 16, 2018] retrieved from internet <URL: https://sneakernews.com/2017/12/28/kith-nike-lebron-15-release-date/>; 27 color sheets, Dated Dec. 28, 2017.
(Continued)

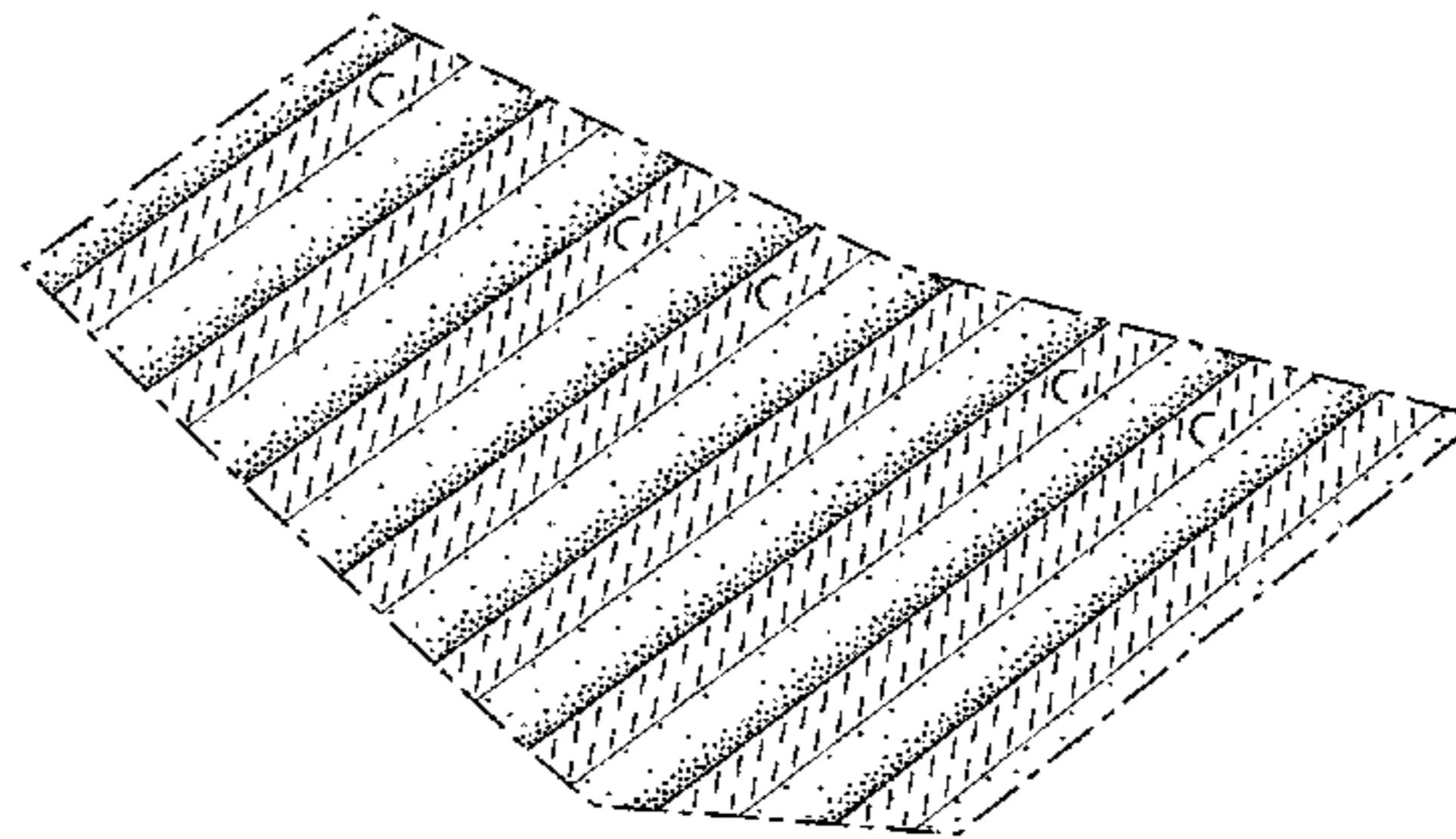
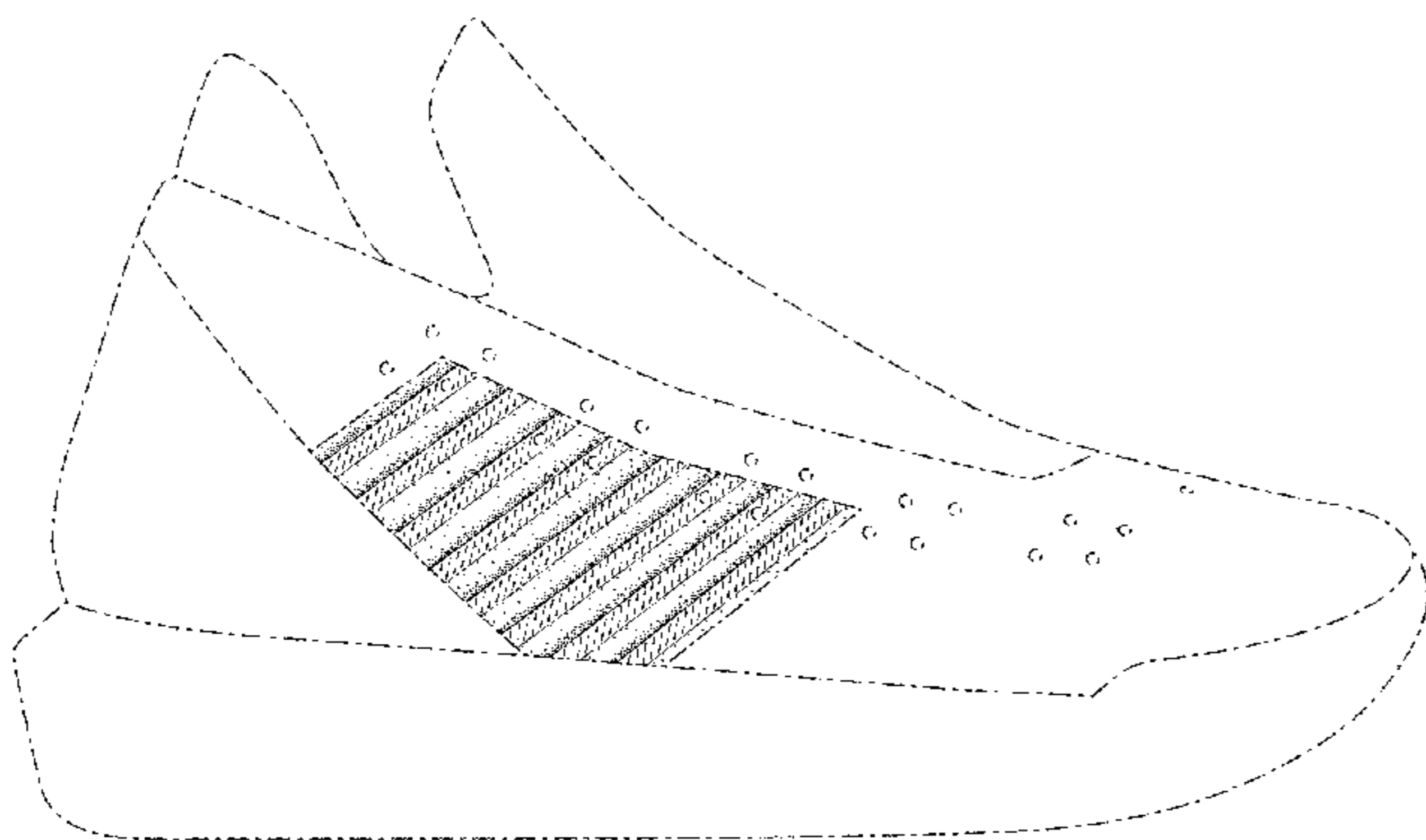
Primary Examiner — Dominic V Simone
(74) *Attorney, Agent, or Firm* — Banner & Witcoff, Ltd.

(57) **CLAIM**
The ornamental design for a shoe, as shown and described.

DESCRIPTION

FIG. 1 is a front perspective view of a shoe showing my new design;
FIG. 2 is a side view thereof;
FIG. 3 is a rear perspective view thereof;
FIG. 4 is a top view thereof;
FIG. 5 is an enlarged view of FIG. 1 with environment removed for clarity; and,
FIG. 6 is an enlarged view of FIG. 2 with environment removed for clarity.
The uneven-length broken lines immediately adjacent to the shaded area define the bounds of the claimed design and form no part thereof. The five uneven-length broken line circles within the claimed area represent eyelet holes and form no part of the claimed design. The small line segments within the claimed area represent stitching. The uneven-length broken lines depicting the remainder of the shoe show features that form no part of the claimed design.

1 Claim, 6 Drawing Sheets



(56)

References Cited

U.S. PATENT DOCUMENTS

D519,264 S 4/2006 Shorrocks
 D523,222 S 6/2006 Savage
 D523,620 S 6/2006 Cass
 D524,532 S * 7/2006 Roulo D2/972
 D527,175 S 8/2006 Lee
 D527,884 S 9/2006 Morris
 D529,271 S 10/2006 Kuerbis
 D529,273 S 10/2006 Lotti
 D536,865 S 2/2007 Holmes
 D537,618 S * 3/2007 Huthmaker D2/972
 D540,025 S 4/2007 Shaffer
 D540,532 S * 4/2007 Sung D2/972
 D544,691 S * 6/2007 Mueller D2/972
 D544,692 S 6/2007 Kuerbis
 D545,045 S * 6/2007 Mueller D2/972
 D551,842 S 10/2007 Kuerbis et al.
 D573,338 S * 7/2008 Stauffer D2/972
 D573,339 S 7/2008 Stauffer
 D574,590 S 8/2008 Maejima
 D575,941 S 9/2008 Weber
 D595,042 S 6/2009 McMillan
 D595,945 S 7/2009 Mochen
 D595,950 S 7/2009 Mayden
 D603,597 S 11/2009 Bacon
 D605,844 S 12/2009 McMillan
 D610,339 S 2/2010 Mermet
 D610,340 S 2/2010 Cooper
 D610,341 S 2/2010 Cooper
 D624,744 S 10/2010 Yi
 D636,592 S 4/2011 Dekovic
 D649,764 S 12/2011 Wilken et al.
 D661,081 S 6/2012 Mermet
 D674,177 S 1/2013 Earle
 D682,535 S 5/2013 Dekovic
 D683,113 S 5/2013 Napurano
 D695,509 S 12/2013 Earle
 D699,933 S * 2/2014 Rasmussen D2/972
 D707,031 S 6/2014 Chang
 D722,761 S 2/2015 Monroy
 D725,895 S * 4/2015 Cin D2/972
 D728,205 S 5/2015 Weddle et al.
 D735,463 S 8/2015 Avar
 D752,331 S 3/2016 Williams, Jr.
 D752,332 S 3/2016 Williams, Jr.
 D763,563 S 8/2016 Monroy
 D765,381 S 9/2016 Yun
 D765,384 S 9/2016 Williams, Jr.
 D765,385 S 9/2016 Williams, Jr.
 D766,567 S 9/2016 Shyllon
 D767,870 S 10/2016 Avar
 D768,373 S 10/2016 Roulo
 D768,374 S 10/2016 Roulo
 D772,547 S 11/2016 Raysse
 D774,294 S 12/2016 Seamarks
 D775,806 S 1/2017 Martin
 D776,416 S 1/2017 Gerig
 D776,418 S 1/2017 Martin
 D778,571 S 2/2017 Gerig
 D778,573 S 2/2017 Gerig
 D778,579 S * 2/2017 Williams, Jr. D2/972

D781,555 S 3/2017 Yun
 D781,558 S * 3/2017 Cin D2/972
 D782,807 S 4/2017 Kanata et al.
 D782,809 S * 4/2017 Kanata D2/973
 D783,257 S 4/2017 Small
 D783,981 S * 4/2017 Cin D2/972
 D789,674 S 6/2017 Williams, Jr.
 D789,675 S 6/2017 Robusti
 D790,191 S * 6/2017 Small D2/972
 D796,180 S * 9/2017 O'Connor D2/972
 D807,630 S 1/2018 Robusti
 D808,148 S 1/2018 Link et al.
 D808,630 S 1/2018 Sleep
 D808,632 S * 1/2018 Link D2/972
 D809,252 S 2/2018 Brunner
 D822,362 S * 7/2018 DeAlmeida D2/972

OTHER PUBLICATIONS

Official Images of the Nike LeBron 15 “Four Horsemen” [online], [retrieved May 16, 2018] retrieved from internet <URL: <https://sneakernews.com/2018/04/05/nike-lebron-15-four-horsemen-release-info/>>; 7 color sheets, Dated Apr. 5, 2018.
 Nike Footwear Catalog, 1996 Holiday Footwear, p. 116, published Mar. 1996, NIKE, Inc., USA.
 Nike Footwear Catalog, 1997 Late Spring Footwear, p. 34, published Sep. 1996, NIKE, Inc., USA.
 Nike Footwear Catalog, 1997 Fall Footwear, p. 28, published Dec. 1996, NIKE, Inc., USA.
 Nike Footwear Catalog, 1998 Holiday Footwear, p. W37, published Feb. 1998, NIKE, Inc., USA.
 Nike Footwear Catalog, 1999 Late Fall Footwear, p. 17, published Mar. 1999, NIKE, Inc., USA.
 Nike Footwear Catalog, 2000 Spring Footwear 2, p. 50, published Jul. 1999, NIKE, Inc., USA.
 Nike Footwear Catalog, 2003 Spring Footwear, p. 8, published Jun. 2002, NIKE, Inc., USA.
 Nike Footwear Catalog, 2006 Spring Footwear, p. 155, published date unknown, but prior to the filing date of the present application, NIKE, Inc., USA.
 Nike Footwear Catalog, 2009 Spring Sport Performance Footwear, p. 97, published May 2008, NIKE, Inc., USA.
 Nike Footwear Catalog, 2009 Fall Core Footwear, p. 2, published Nov. 2008, NIKE, Inc., USA.
 Nike Footwear Catalog, 2010 Fall Performance Footwear, p. 36, published Nov. 2009, NIKE, Inc., USA.
 Nike Footwear Catalog, 2013 Fall DSG Soccer Footwear, p. 14, published Nov. 2012, NIKE, Inc., USA.
 Nike Footwear Catalog, 2014 Fall Sporting Goods Footwear Best, p. 40, published Nov. 1, 2013, NIKE, Inc., USA.
 Nike Footwear Catalog, 2016 Spring Strategic Sporting Goods Footwear NA, p. 29, published May 2015, NIKE, Inc., USA.
 Nike Footwear Catalog, 2017 Spring Athletic Specialty Footwear Best NA, p. 17, published May 2016, NIKE, Inc., USA.
 Nike Footwear Catalog, 2017 Spring Athletic Specialty Footwear Best NA, p. 60, published May 2016, NIKE, Inc., USA.
 U.S. Appl. No. 29/649,663, filed May 31, 2018.
 U.S. Appl. No. 29/649,665, filed May 31, 2018.

* cited by examiner

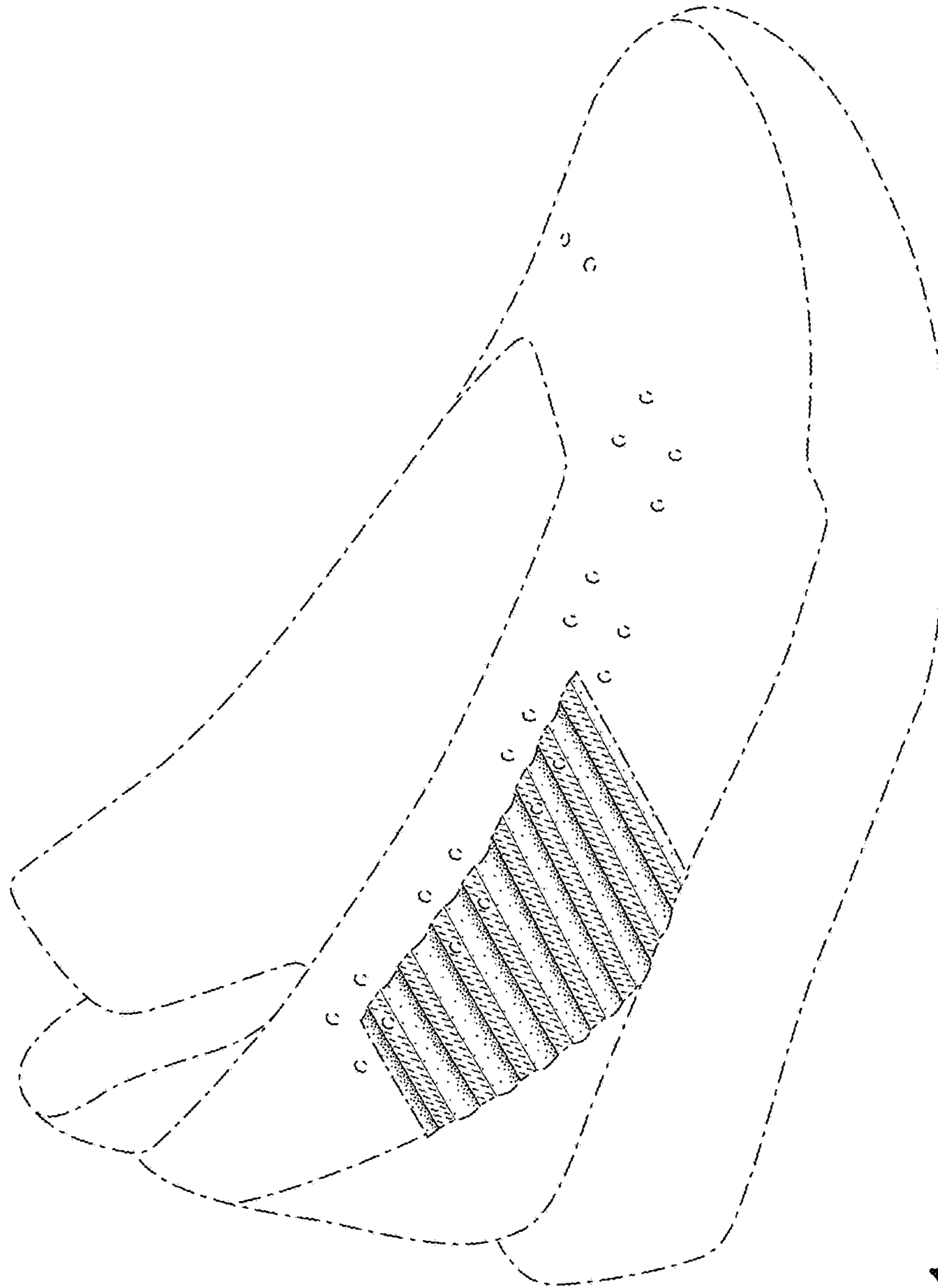


FIG. 1

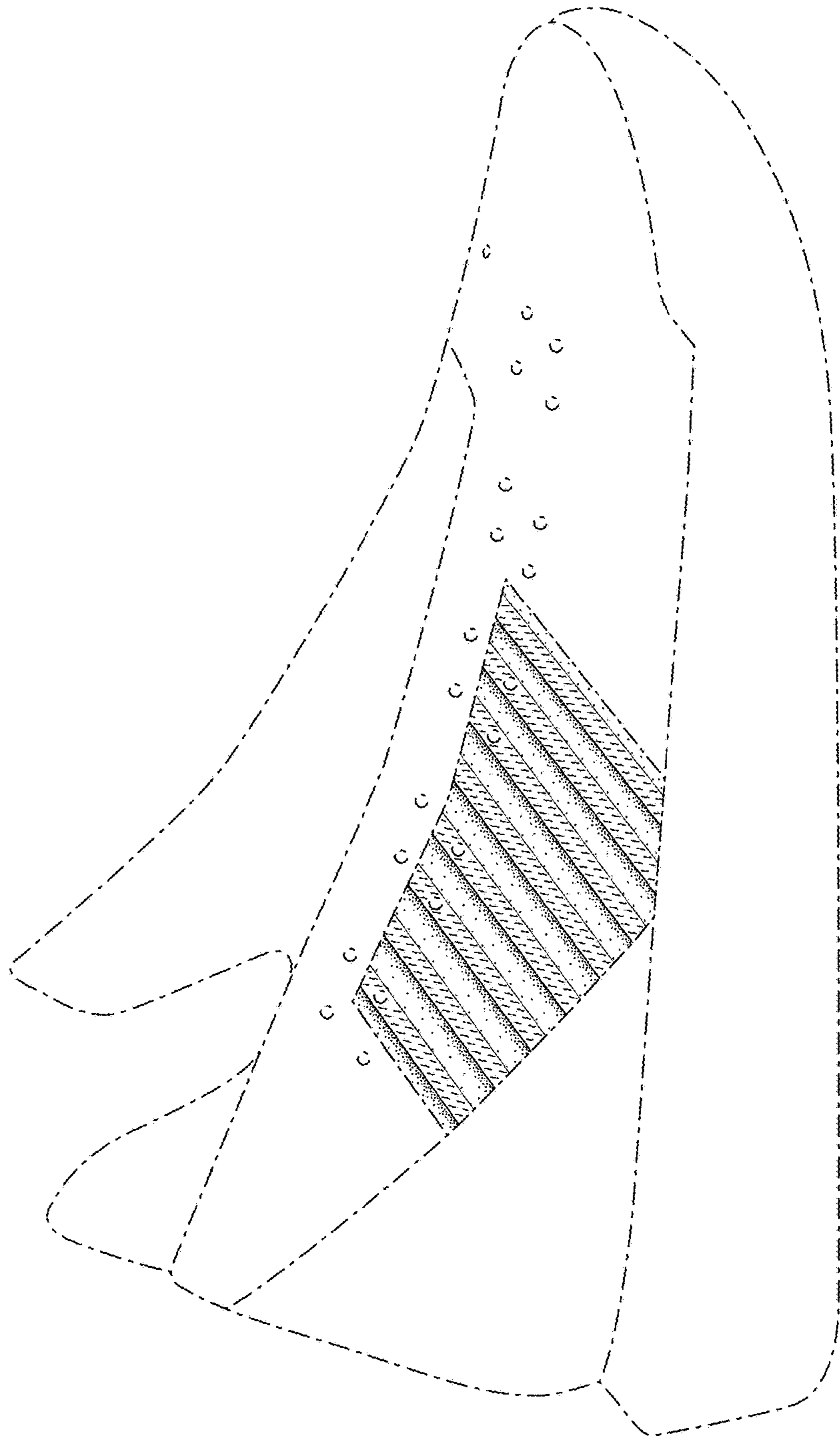


FIG. 2

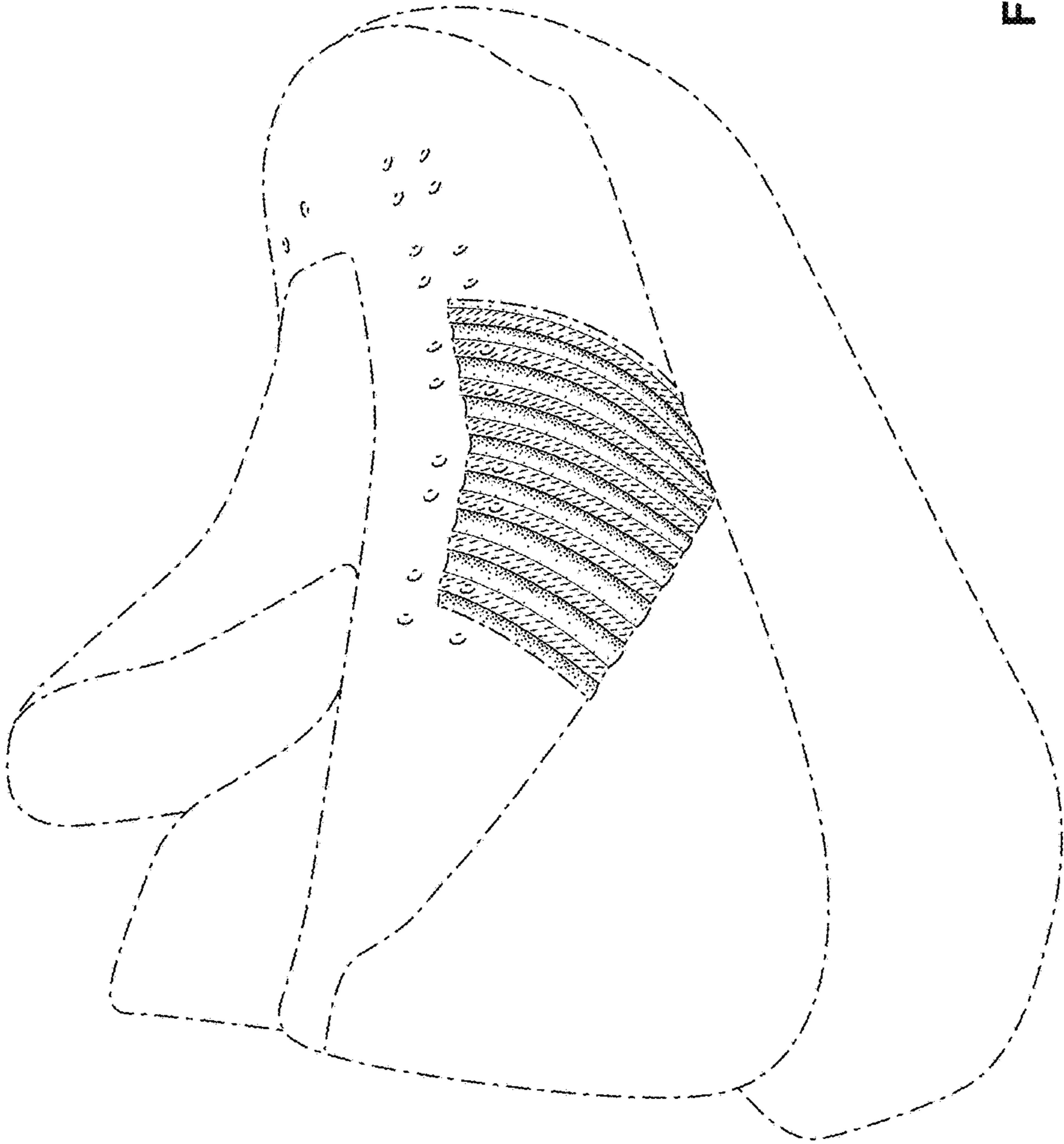


FIG. 3

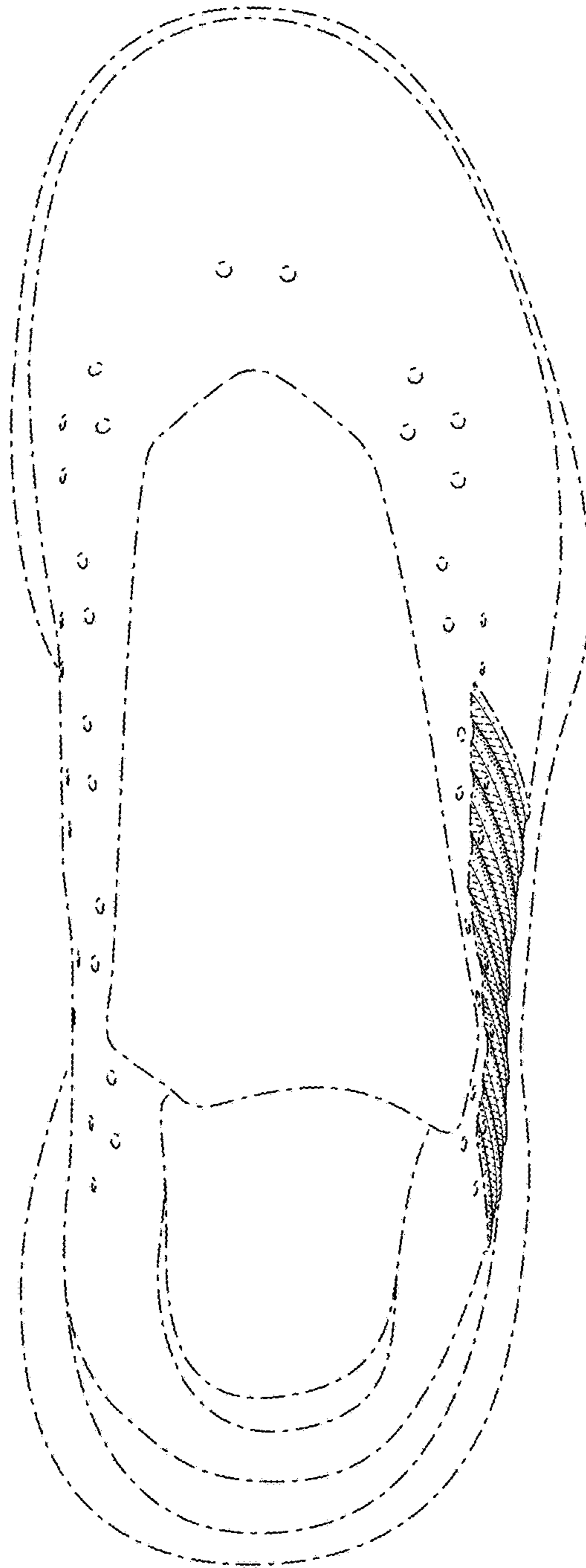


FIG. 4

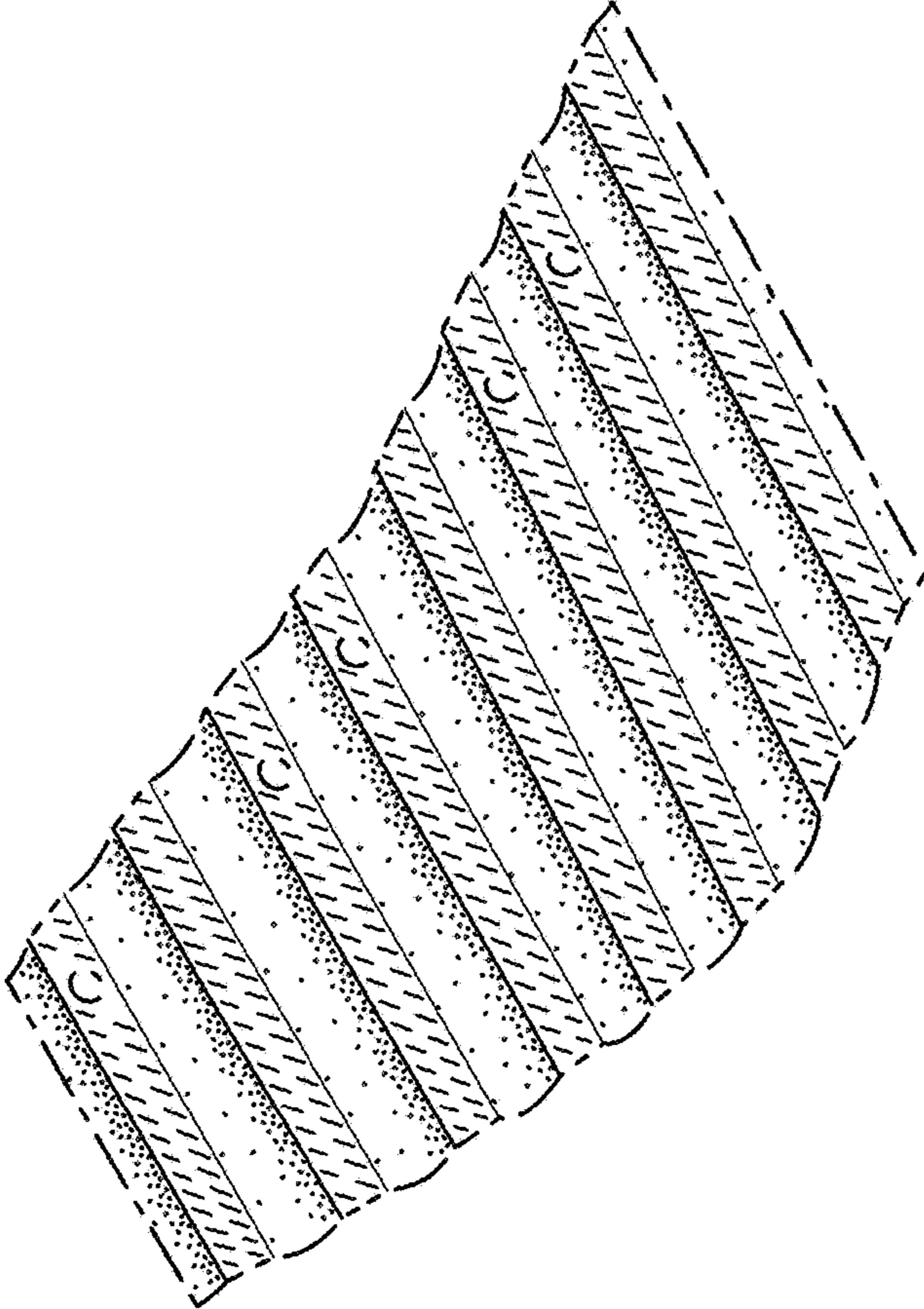


FIG. 5

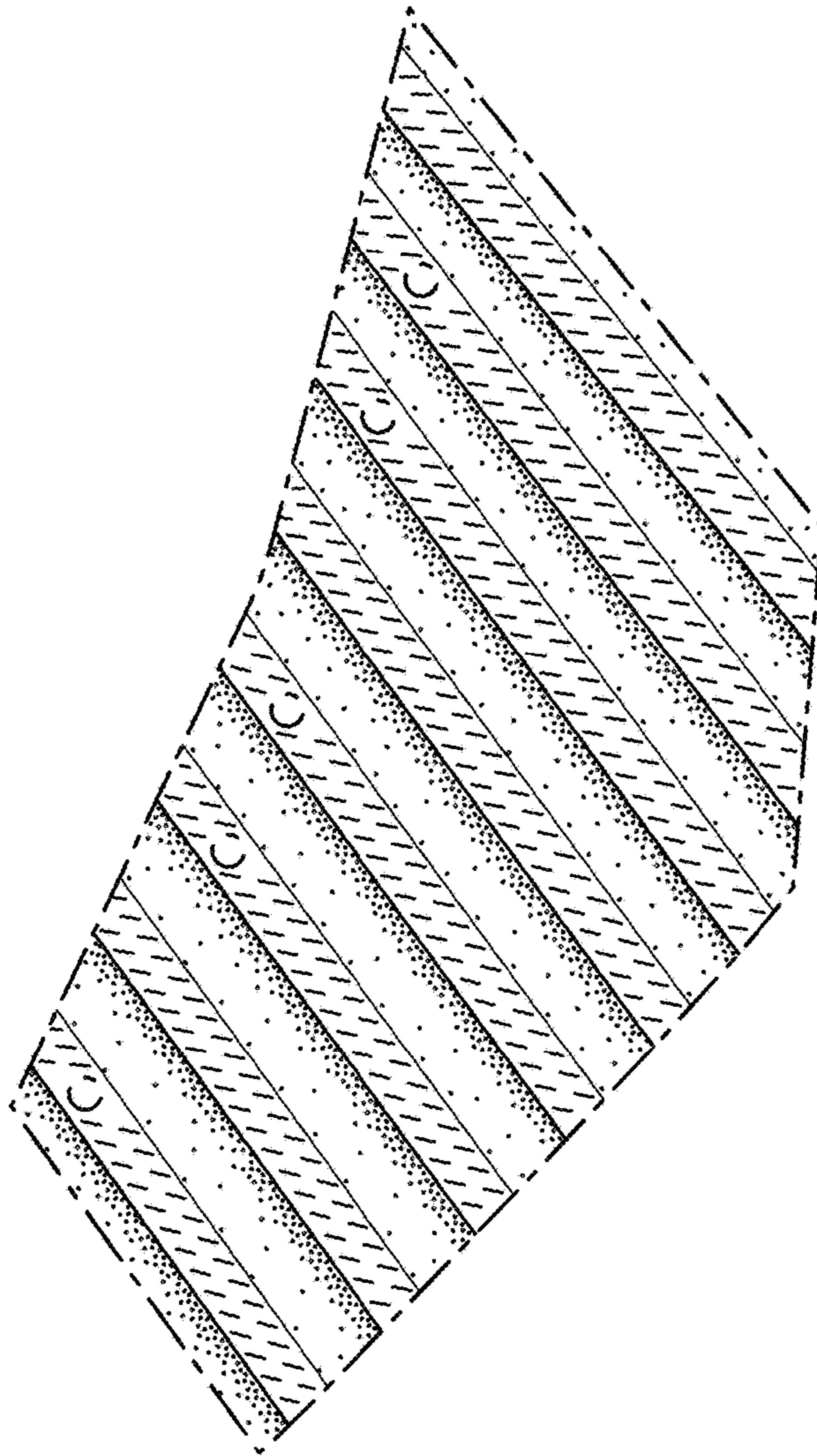


FIG. 6