



US00D836311S

(12) **United States Design Patent**
McCullagh

(10) **Patent No.:** **US D836,311 S**

(45) **Date of Patent:** **** Dec. 25, 2018**

(54) **SHOE OUTSOLE**

(71) Applicant: **NIKE, Inc.**, Beaverton, OR (US)

(72) Inventor: **Cory B. McCullagh**, Portland, OR (US)

(73) Assignee: **NIKE, Inc.**, Beaverton, OR (US)

(**) Term: **15 Years**

(21) Appl. No.: **29/603,901**

(22) Filed: **May 12, 2017**

(51) **LOC (11) Cl.** **02-04**

(52) **U.S. Cl.**

USPC **D2/957**; D2/951; D2/960

(58) **Field of Classification Search**

USPC D2/902, 906, 908, 916, 918, 925,
D2/946-962, 977; 36/3 B, 22 R, 24.5,
36/25 R, 28, 32 R, 34 R, 59 C, 67 A, 103
CPC A43B 13/00; A43B 13/02; A43B 13/023;
A43B 13/026; A43B 13/04; A43B 13/08;
A43B 13/10; A43B 13/12; A43B 13/14;
A43B 13/141; A43B 13/143; A43B
13/16; A43B 13/18; A43B 13/181; A43B
13/187; A43B 13/189; A43B 13/20; A43B
13/22; A43B 13/223; A43B 13/24; A43B
13/28; A43B 13/30; A43B 13/32; A43B
13/34; A43B 13/36

See application file for complete search history.

(56) **References Cited**

U.S. PATENT DOCUMENTS

D334,280 S	3/1993	Teague	
D379,862 S *	6/1997	Morgan	D2/953
D487,840 S *	3/2004	Hillyer	D2/957
D497,703 S *	11/2004	Lupo	D2/949
D528,777 S *	9/2006	McDowell	D2/977
D531,394 S *	11/2006	Bonnemere	D2/957
D580,137 S *	11/2008	Andersen	D2/952
D622,041 S *	8/2010	Richard	D2/951

D622,043 S *	8/2010	Hauglin	D2/951
D629,189 S *	12/2010	Feldman	D2/946
D665,156 S *	8/2012	Smith	D2/961
D671,725 S	12/2012	Bell et al.	
D684,755 S *	6/2013	Miette	D2/951
D744,214 S *	12/2015	McMillan	D2/951
D744,728 S *	12/2015	Remmele	D2/908
D746,564 S *	1/2016	Wright	D2/951
D754,957 S *	5/2016	Portzline	A43B 13/223 D2/951
D764,781 S	8/2016	Bell et al.	
D765,363 S	9/2016	Petrie	
D778,553 S	2/2017	DeAlmeida	

(Continued)

OTHER PUBLICATIONS

Nike Meets Demands of All Athletes With Expanded Metcon Family [online], [retrieved Apr. 26, 2017], Retrieved from Internet <URL:http://news.nike.com/news/metcon-dsx-flynit-metcon-3>; 6 color sheets, Dated Dec. 13, 2016.

Primary Examiner — T Chase Nelson

(74) *Attorney, Agent, or Firm* — Banner & Witcoff, Ltd.

(57) **CLAIM**

The ornamental design for a shoe outsole, as shown and described.

DESCRIPTION

FIG. 1 is a front perspective view of a shoe outsole showing my new design;

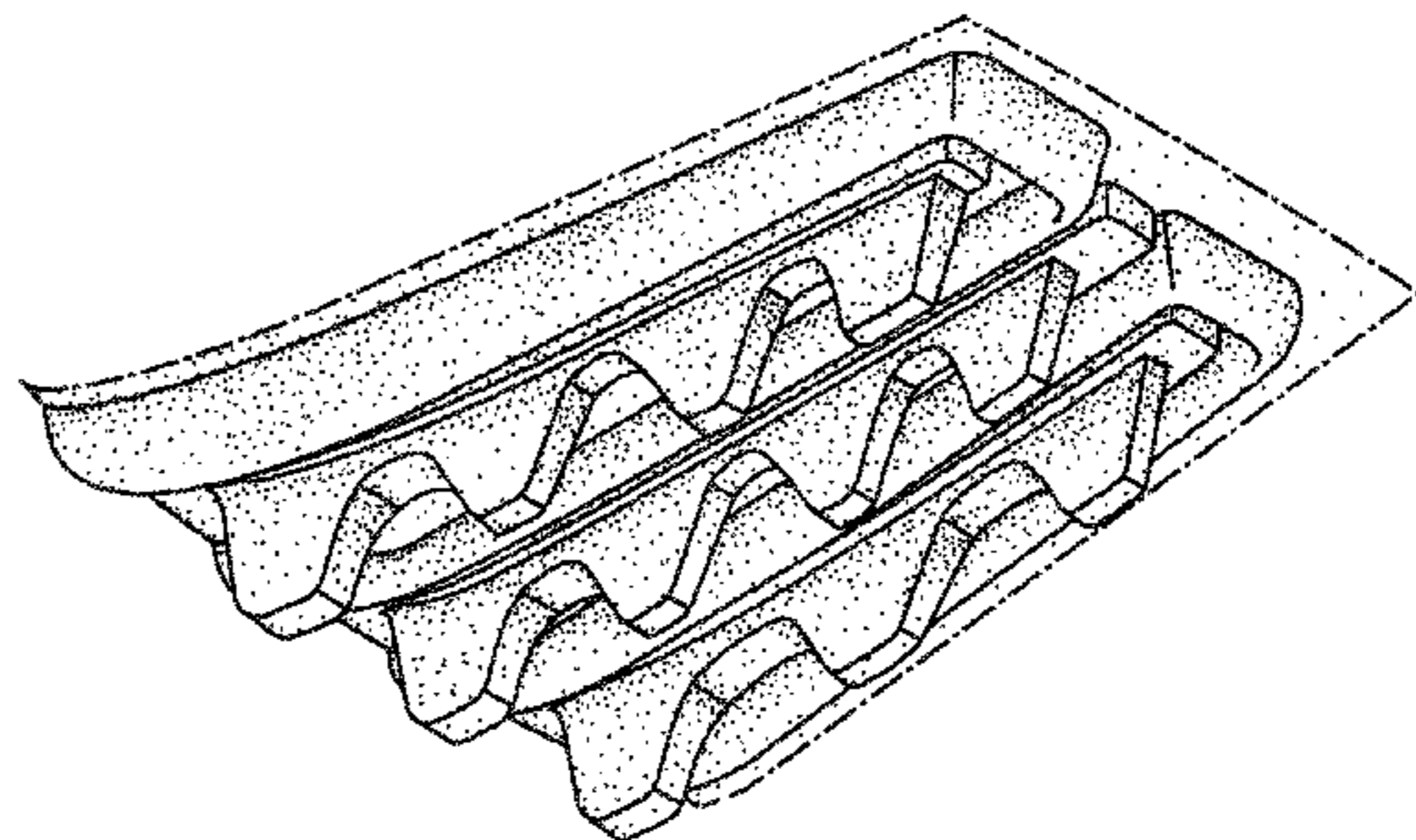
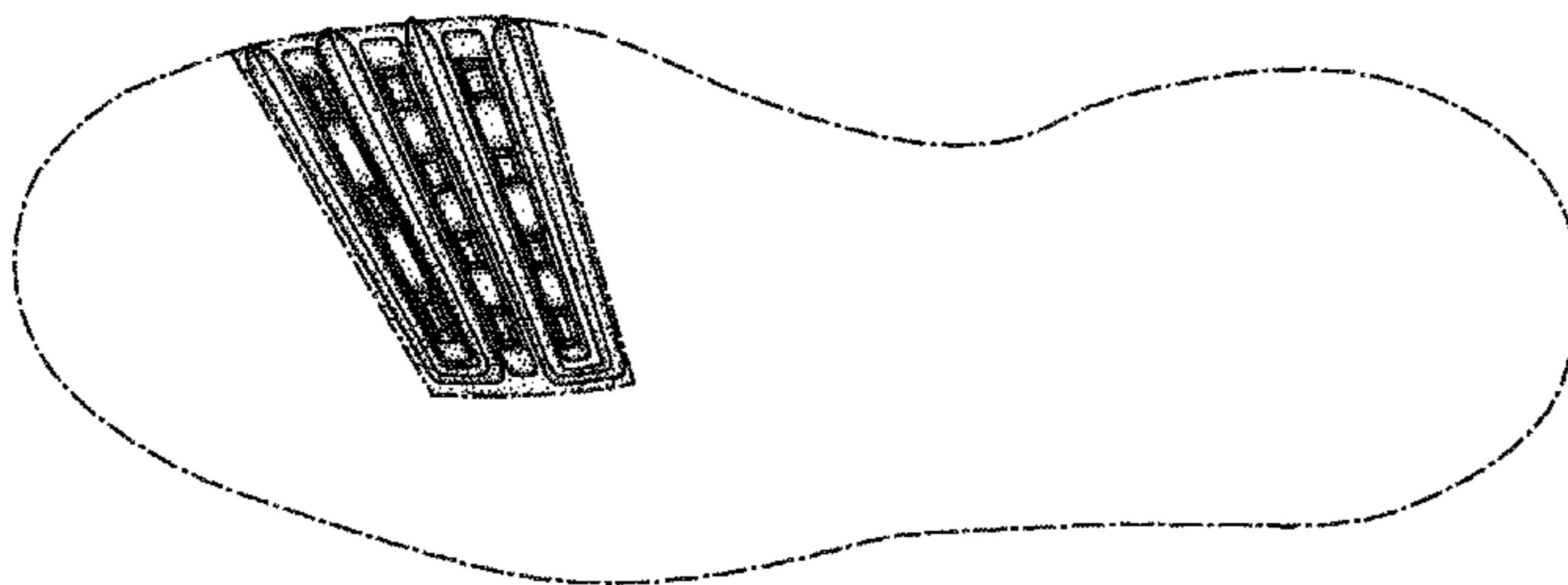
FIG. 2 is a bottom view thereof;

FIG. 3 is a rear perspective view thereof; and,

FIG. 4 is an enlarged view of FIG. 3 with some unclaimed subject matter omitted.

The broken lines immediately adjacent to the shaded area define the bounds of the claimed design and form no part thereof. The broken lines showing the remainder of the shoe represent unclaimed subject matter and form no part of the claimed design.

1 Claim, 4 Drawing Sheets



(56)

References Cited

U.S. PATENT DOCUMENTS

D790,174 S * 6/2017 Pulli A43B 5/00
D2/947
D794,299 S * 8/2017 Greenspan A43B 5/00
D2/951
D797,424 S * 9/2017 Hatfield A43B 5/0411
D2/951
D800,435 S * 10/2017 Greenspan D2/962
D801,021 S * 10/2017 Greenspan D2/962
9,795,184 B2 * 10/2017 Ueda A43B 5/14
D801,658 S * 11/2017 Huard D2/960
D812,879 S * 3/2018 Lapouille D2/957
D814,750 S * 4/2018 Granger D2/917
D820,570 S * 6/2018 Mokos D2/960
2007/0235984 A1 * 10/2007 Miralles A43B 5/0413
280/615
2009/0255625 A1 * 10/2009 Fox A43B 13/187
156/247
2014/0115930 A1 * 5/2014 Svensson A43B 5/0411
36/117.3
2014/0259784 A1 * 9/2014 Jenkins A43B 13/181
36/102
2015/0052781 A1 * 2/2015 Hatfield A43B 5/00
36/25 R
2017/0079373 A1 * 3/2017 Huard A43B 13/026
2017/0265595 A1 * 9/2017 Hatfield A43B 5/00
2017/0311676 A1 * 11/2017 Svensson A43B 13/122
2017/0340060 A1 * 11/2017 Madore A43B 13/223

* cited by examiner

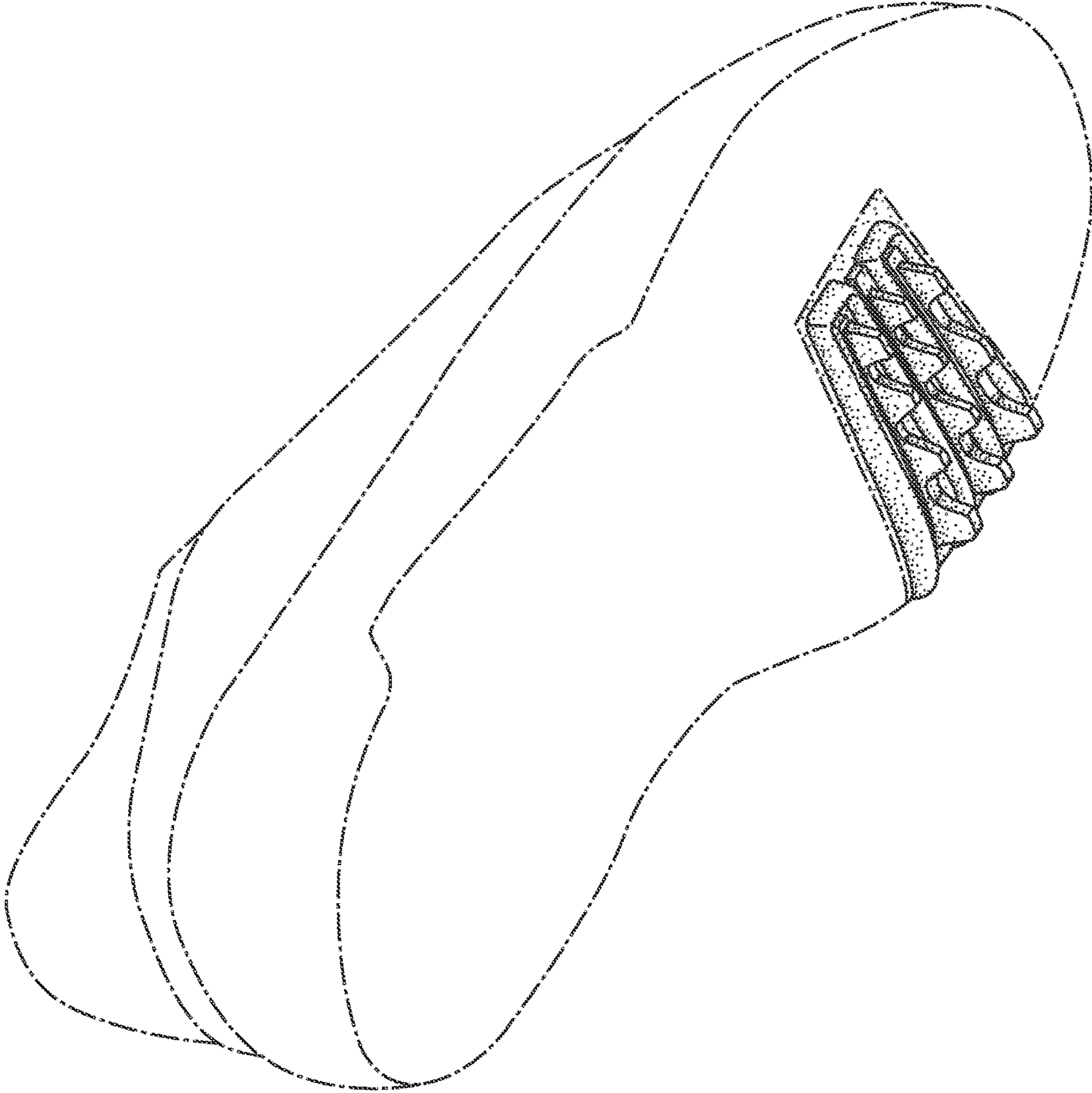


FIG. 1

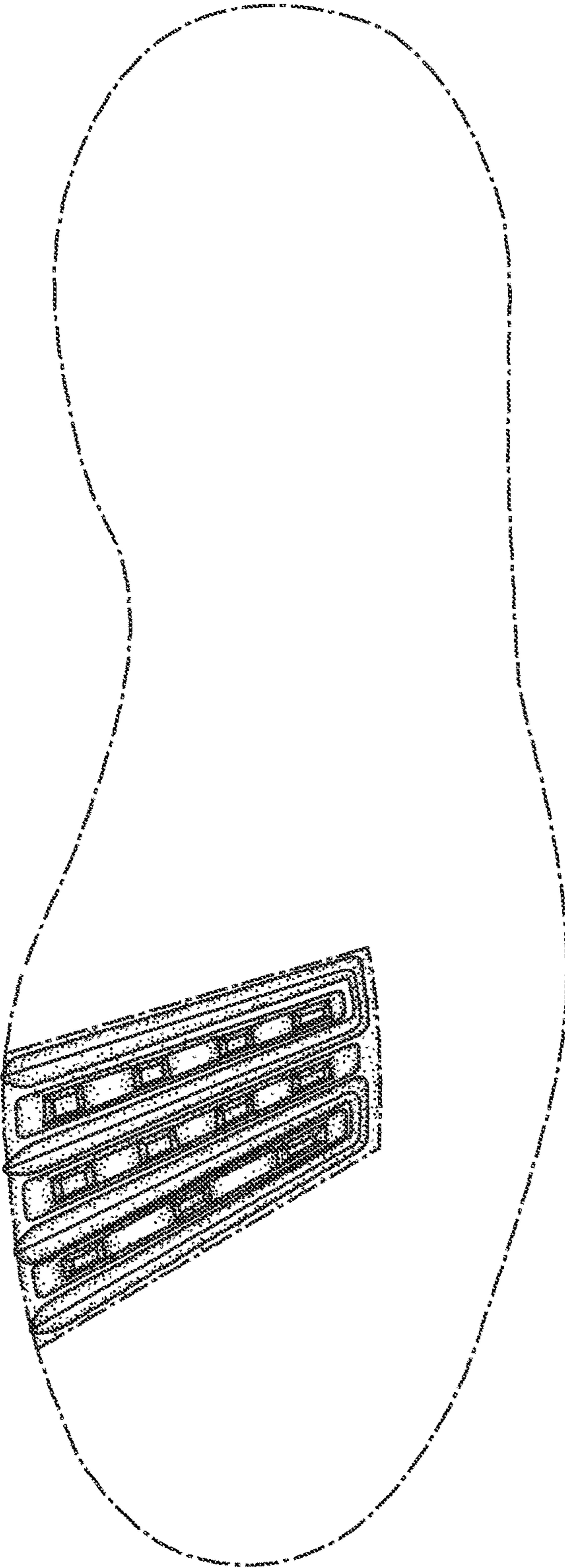


FIG. 2

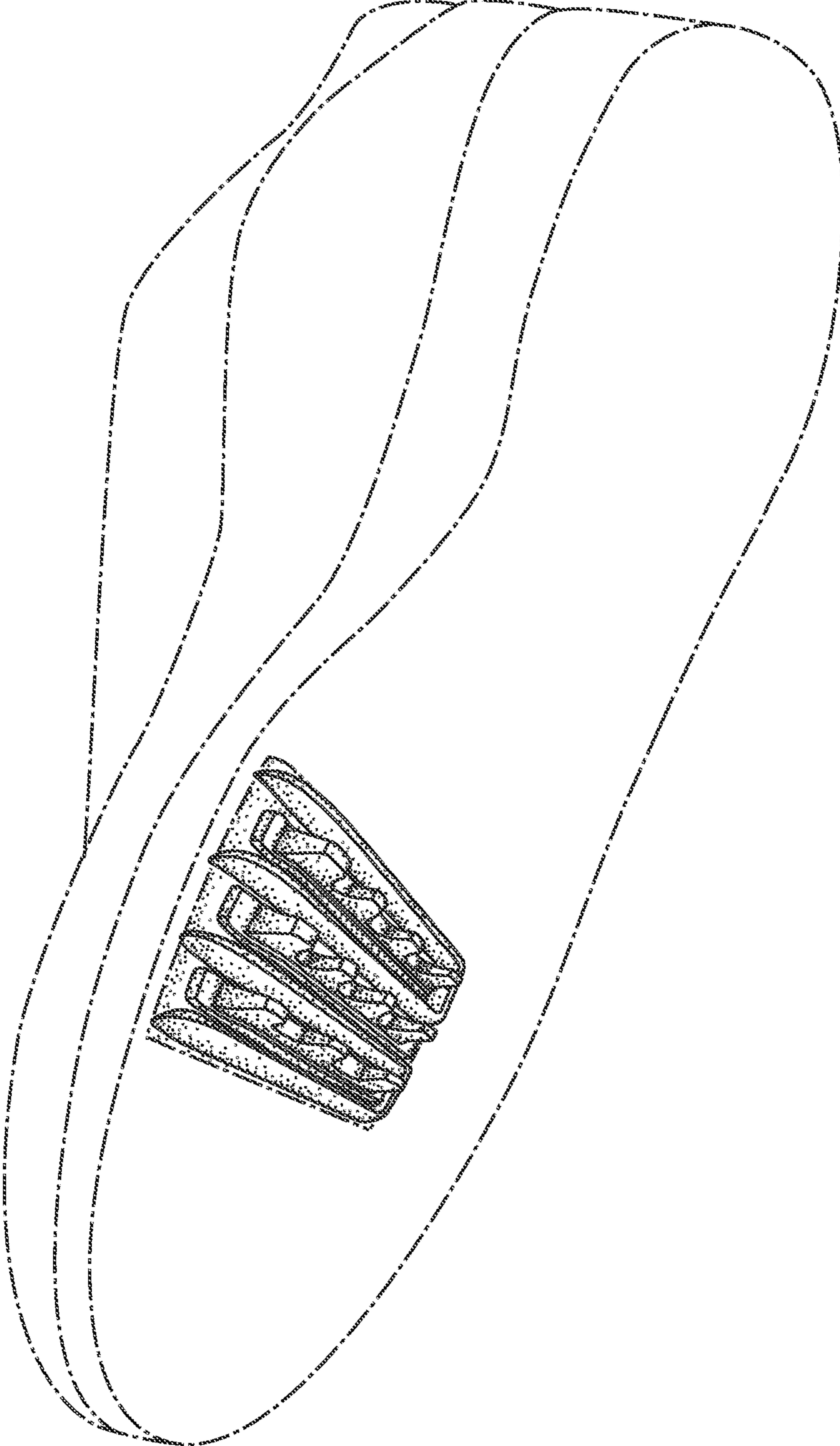


FIG. 3

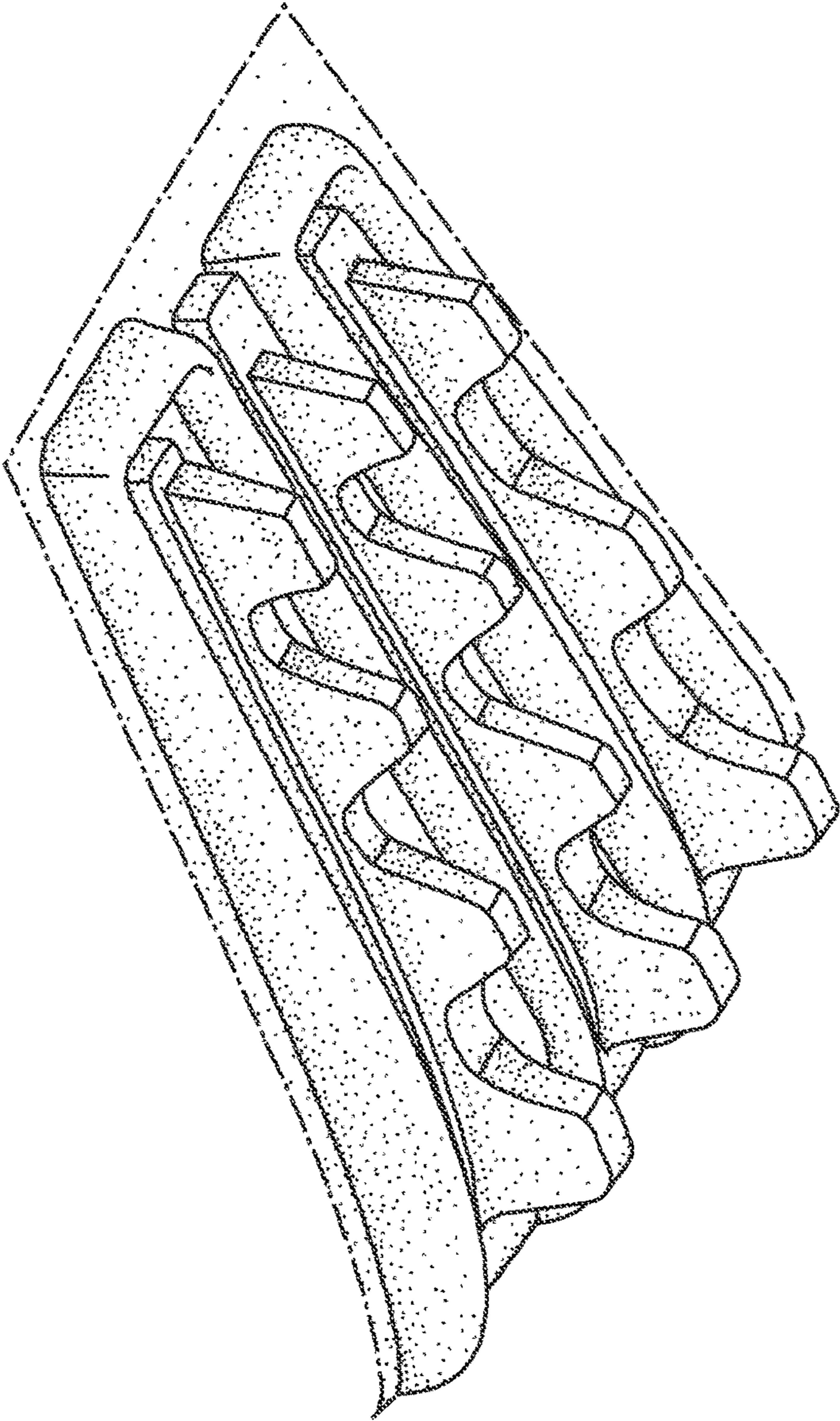


FIG. 4