



US00D836308S

(12) **United States Design Patent**
Agati et al.

(10) **Patent No.:** **US D836,308 S**
(45) **Date of Patent:** **** Dec. 25, 2018**

- (54) **SHOE FRAME**
- (71) Applicant: **DANSKO, LLC**, West Grove, PA (US)
- (72) Inventors: **Salvatore P. Agati**, Kennett Square, PA (US); **Bill Roch**, Kennett Square, PA (US)
- (73) Assignee: **DANSKO, LLC**, West Grove, PA (US)
- (**) Term: **15 Years**
- (21) Appl. No.: **29/578,887**
- (22) Filed: **Sep. 26, 2016**

Related U.S. Application Data

- (63) Continuation-in-part of application No. 29/509,067, filed on Nov. 13, 2014.
- (51) **LOC (11) Cl.** **02-04**
- (52) **U.S. Cl.**
USPC **D2/946**
- (58) **Field of Classification Search**
USPC D2/897, 898, 909-911, 915-918, 921, D2/923, 925-927, 929-931, 933, D2/935-943, 946, 964-966, 968, D2/970-972, 976-978, 999; D11/222; D20/27, 28
CPC A43B 3/12; A43B 3/10; A43B 3/0042; A43B 23/28; A43B 23/25; A43B 23/24; A43B 23/20; A43B 23/08; A43B 23/081; A43B 23/085; A43B 13/181; A43C 1/00; A43C 11/04; A43C 13/14; A43C 7/00; A43C 7/02; A43C 7/06
See application file for complete search history.

(56) **References Cited**

U.S. PATENT DOCUMENTS

- 100,678 A * 3/1870 Shepard A43B 13/223
36/32 R
- 430,537 A * 6/1890 Page A43C 15/06
36/7.6

- 2,394,704 A * 2/1946 Loewer A43B 13/08
12/146 B
- 3,724,106 A * 4/1973 Magidson A43B 17/026
36/44
- 4,300,256 A * 11/1981 Laganas A43B 9/12
12/142 F
- 4,398,357 A * 8/1983 Batra A43B 13/16
36/129
- 4,439,935 A * 4/1984 Kelly A43B 3/128
36/100
- 4,449,307 A * 5/1984 Stubblefield A43B 13/223
36/114
- 4,610,099 A * 9/1986 Signori A43B 13/203
36/28
- D352,154 S * 11/1994 Merceron D2/952
- D353,480 S * 12/1994 Merceron D2/956
- 5,499,458 A * 3/1996 Krunic A43C 15/06
36/62

(Continued)

Primary Examiner — Shannon W Morgan
Assistant Examiner — Clare Ann Gannon
(74) *Attorney, Agent, or Firm* — Cozen O'Connor

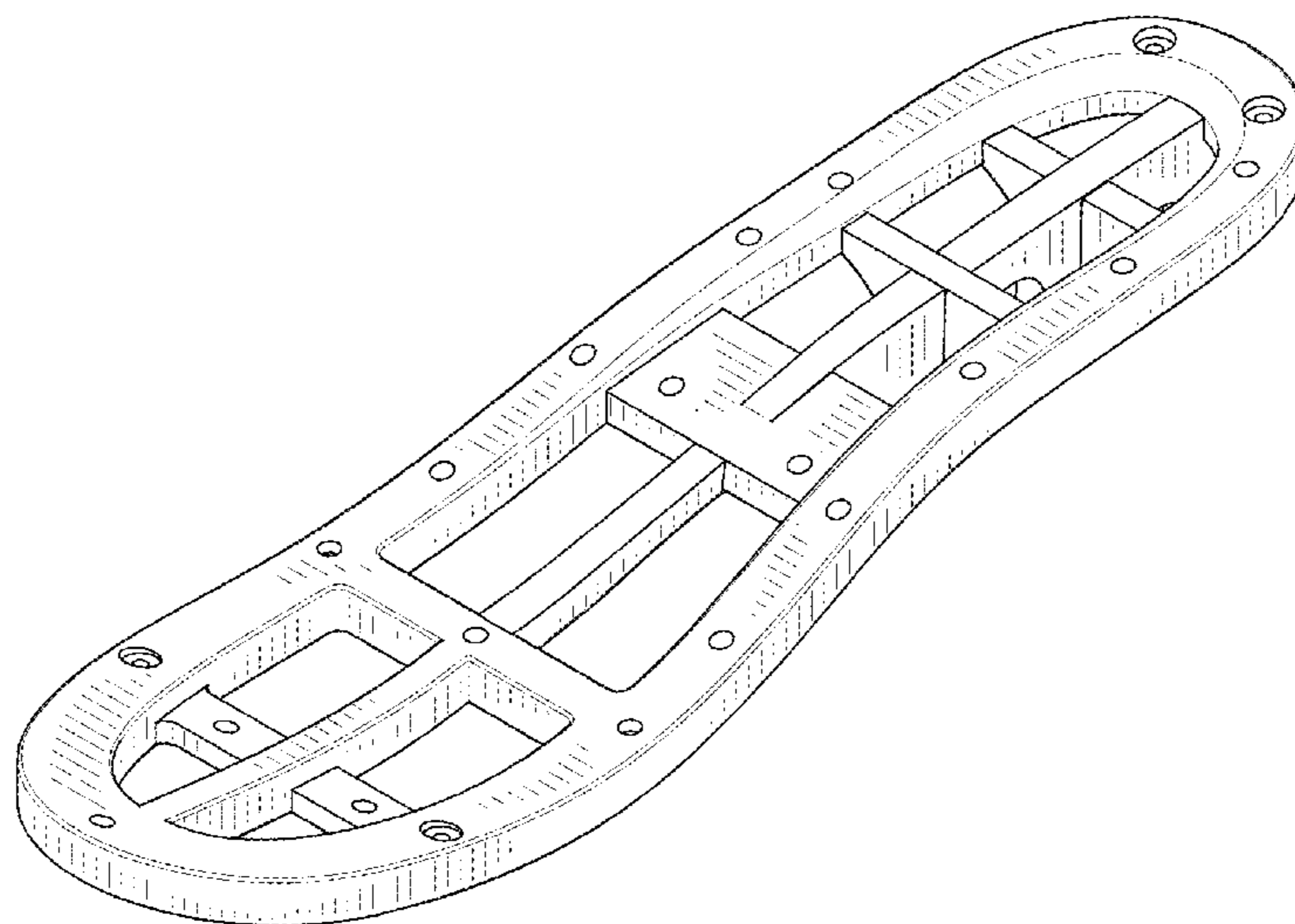
(57) **CLAIM**

We claim the ornamental design for a shoe frame, substantially as shown and described.

DESCRIPTION

FIG. 1 is a top front perspective view of a shoe frame embodying the design of the present invention; FIG. 2 is a bottom rear perspective view thereof; FIG. 3 is a front elevation view thereof; FIG. 4 is a rear elevation view, thereof; FIG. 5 is a left elevational view thereof; FIG. 6 is a right elevational view thereof; FIG. 7 is a top plan view thereof; and, FIG. 8 is a bottom plan view thereof.

1 Claim, 5 Drawing Sheets



(56)

References Cited

U.S. PATENT DOCUMENTS

5,572,804 A *	11/1996	Skaja	A43B 13/181	8,272,149 B2 *	9/2012	Cooper	A43B 1/0072
			36/28				36/102
D379,114 S *	5/1997	Merceron	D2/952	D701,024 S *	3/2014	Youngs	A43B 17/026
5,729,917 A *	3/1998	Slepian	A43B 13/181				D2/946
			36/27	D714,037 S *	9/2014	Della Valle	A43B 13/08
5,883,252 A	3/1999	Tung et al.					D2/950
D414,020 S *	9/1999	Manradgh	D2/902	8,826,571 B2 *	9/2014	Rutherford	A43B 3/00
6,601,321 B1 *	8/2003	Kendall	A43B 7/1465				36/136
			36/25 R	D770,742 S *	11/2016	Reiser	A43B 1/0081
7,290,357 B2 *	11/2007	McDonald	A43B 3/0057				D2/947
			36/102	D782,791 S *	4/2017	Silverstein	A43B 1/0081
D583,136 S *	12/2008	Amado	A43B 3/0057				D2/947
			D2/951	9,661,898 B2 *	5/2017	Miner	A43D 8/00
D583,542 S *	12/2008	Gerber	A43B 23/0245	2003/0051372 A1 *	3/2003	Lyden	A43B 1/0081
			D2/946				36/27
D639,545 S *	6/2011	Weiss	A43B 13/181	2003/0069807 A1 *	4/2003	Lyden	A43B 1/0081
			D2/946				705/26.5
8,241,450 B2 *	8/2012	Hensley	A43B 13/20	2017/0318895 A1 *	11/2017	Thomasson	A43B 3/24
			156/145	2018/0008003 A1 *	1/2018	Davis	A43B 23/0245

* cited by examiner

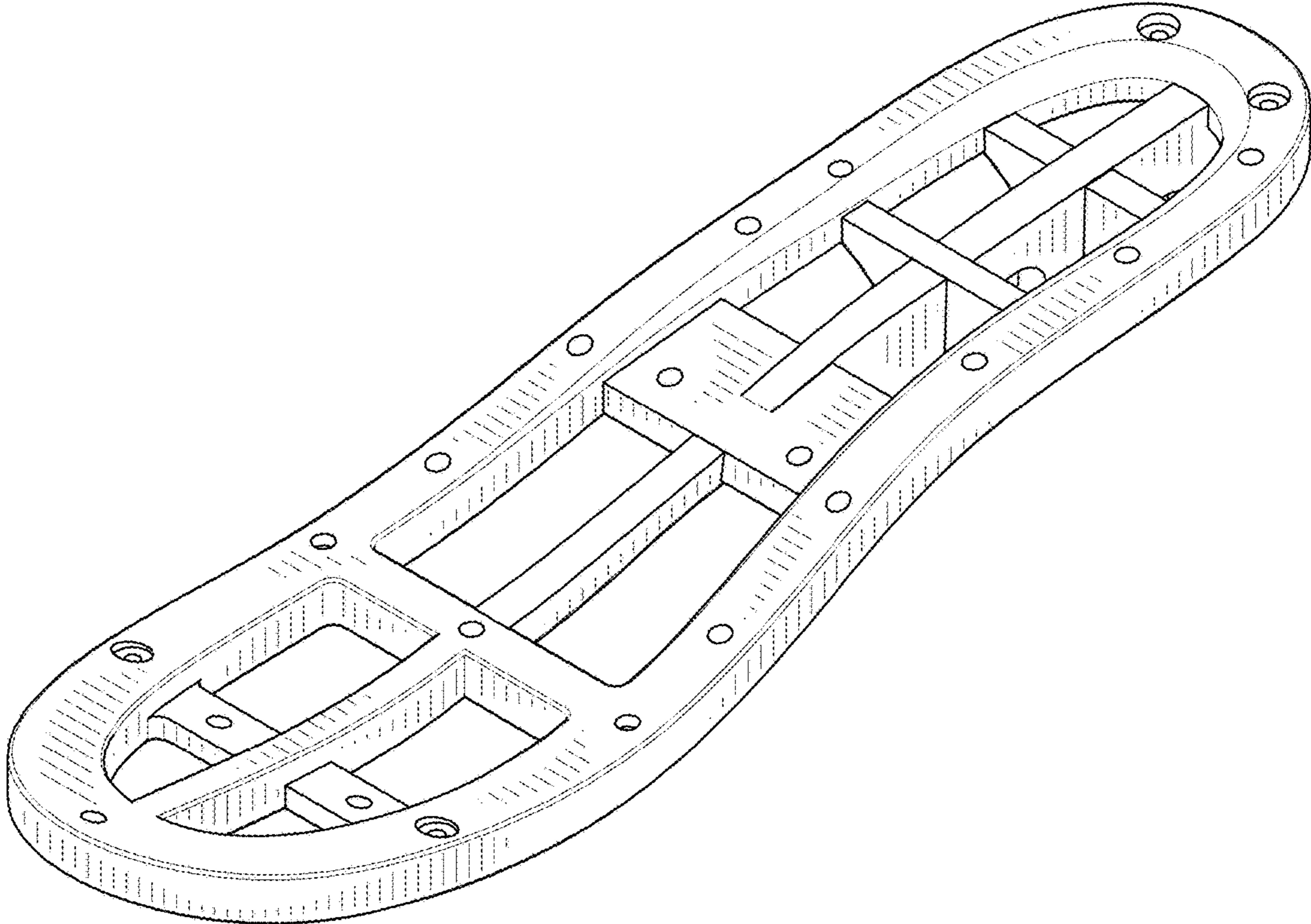


FIG. 1

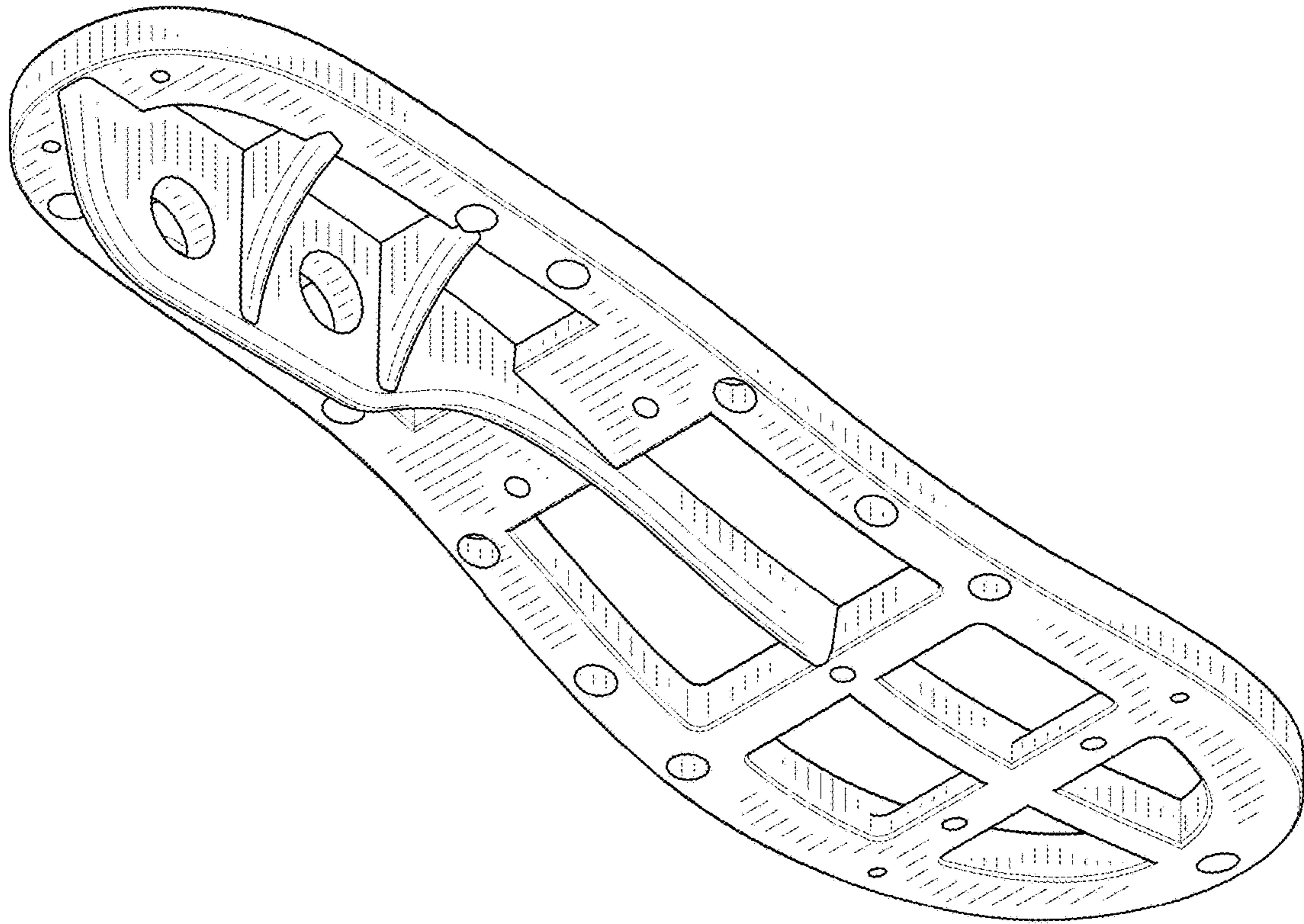


FIG. 2

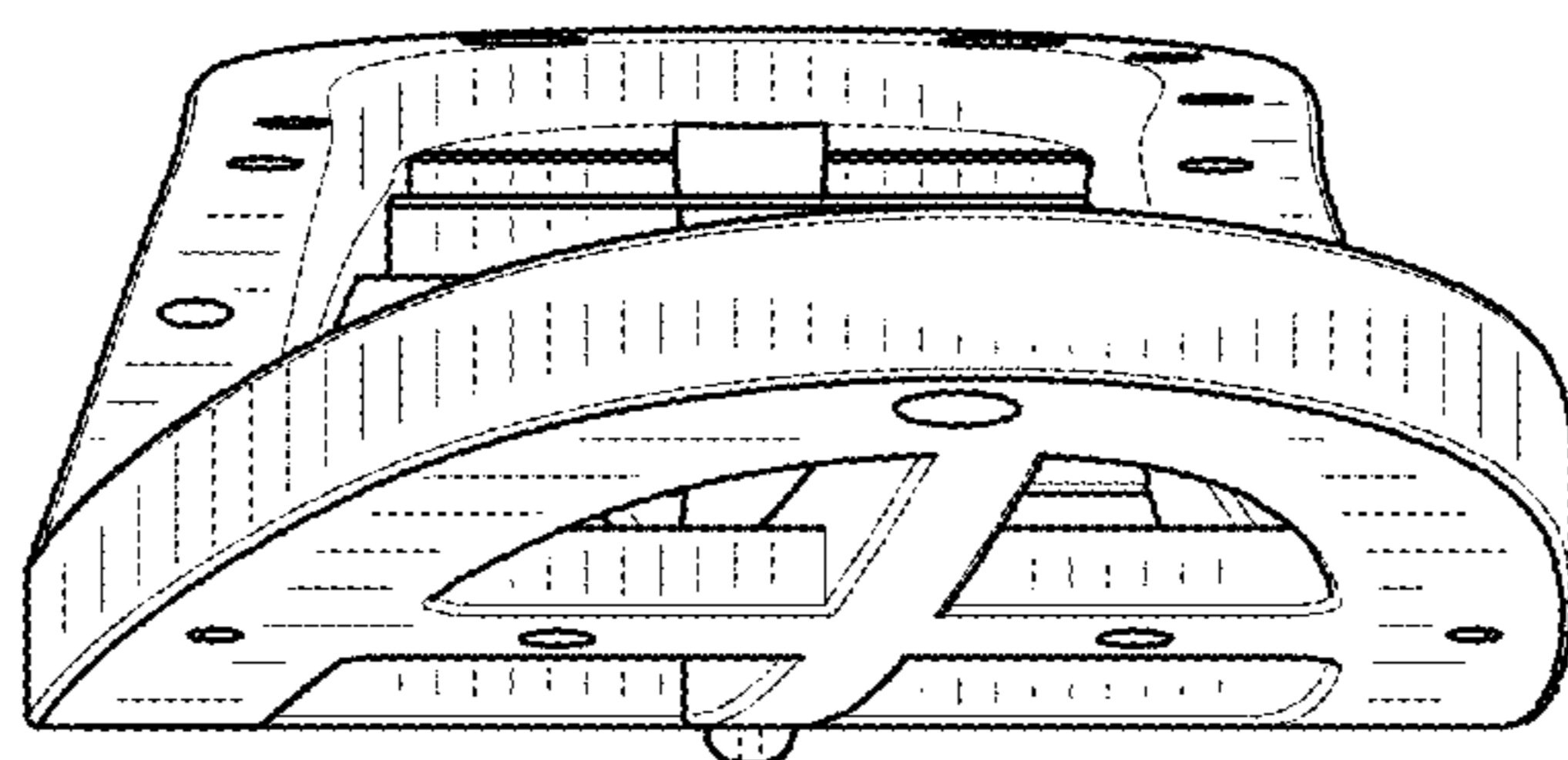


FIG. 3

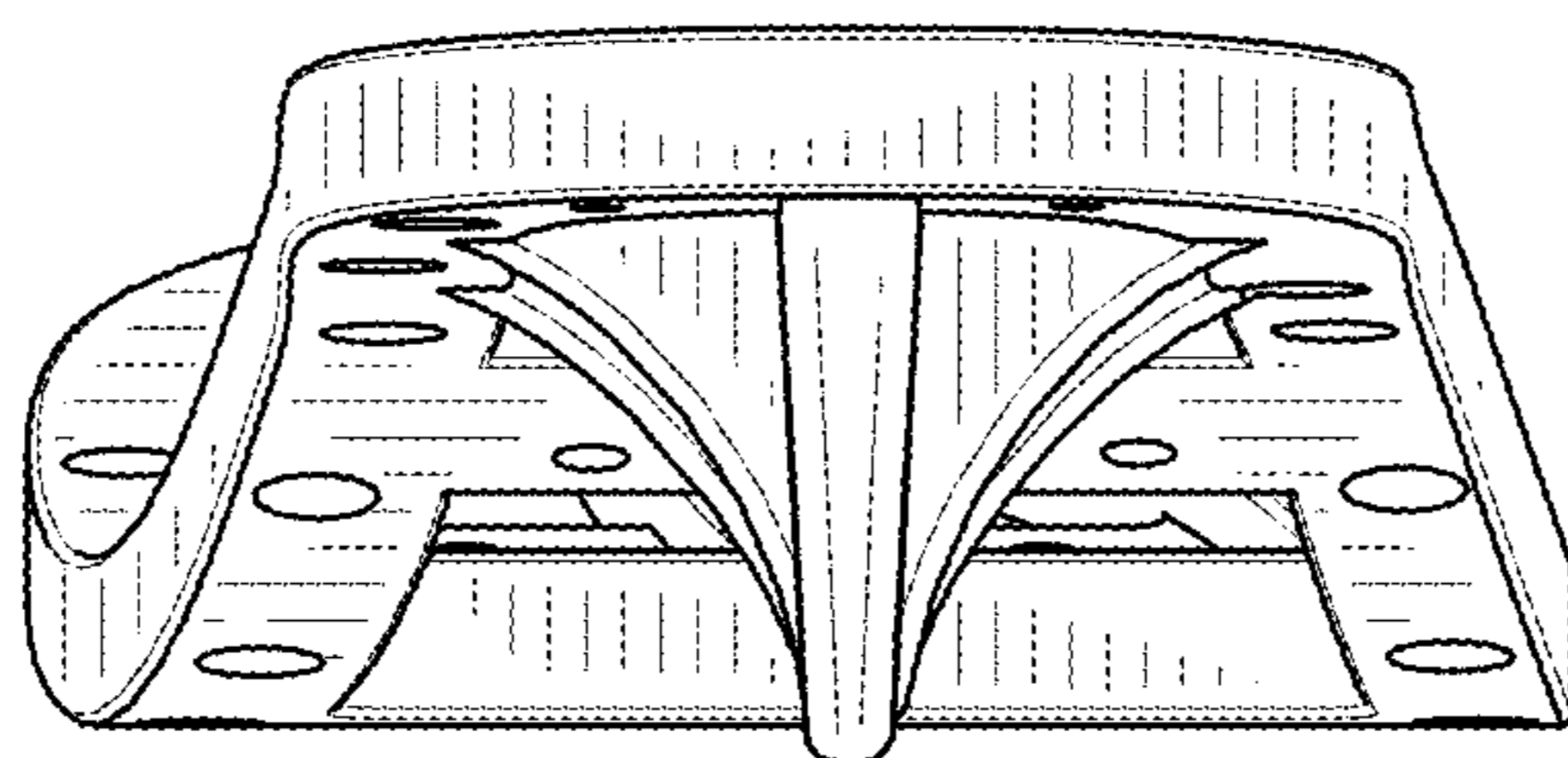


FIG. 4

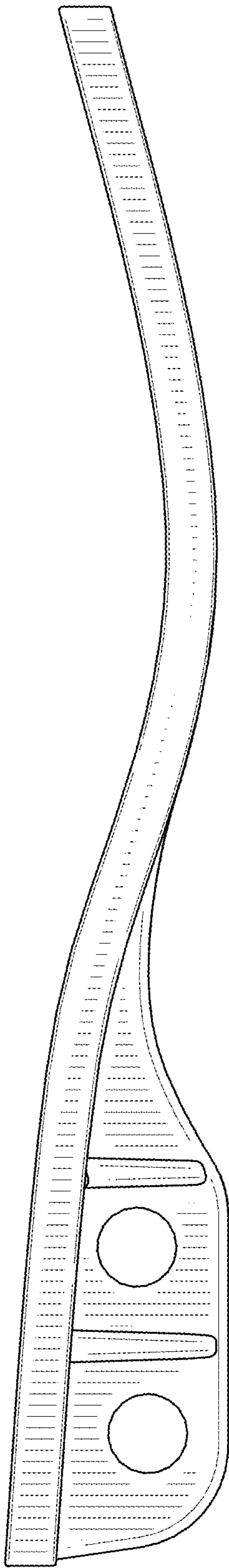


FIG. 5

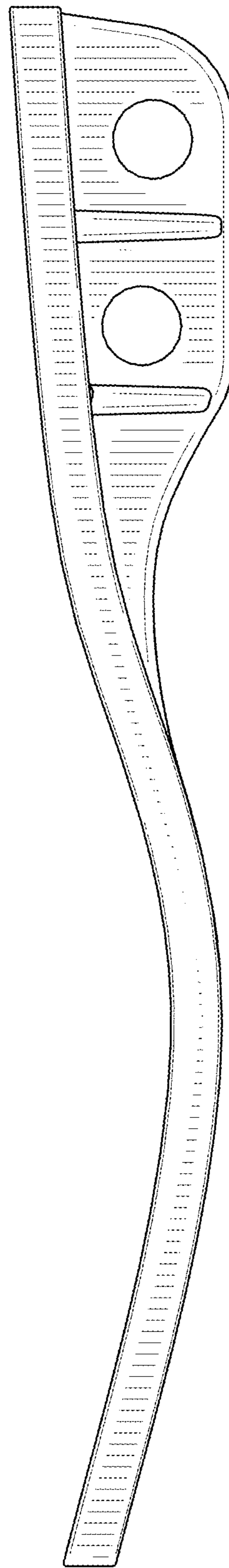


FIG. 6

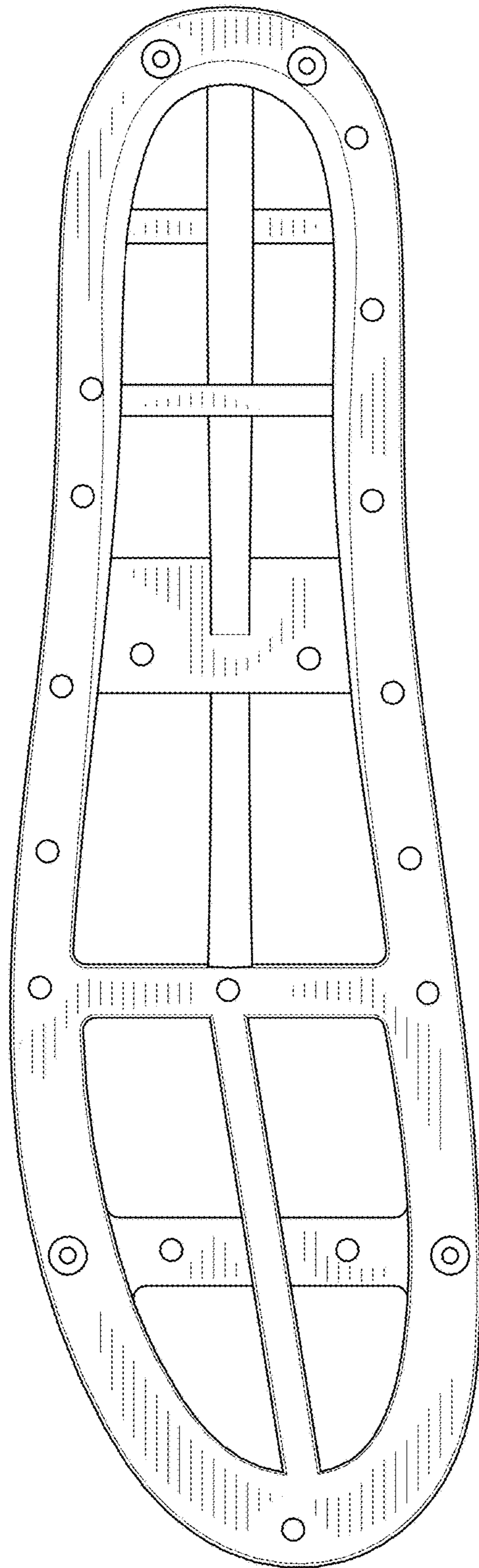


FIG. 7

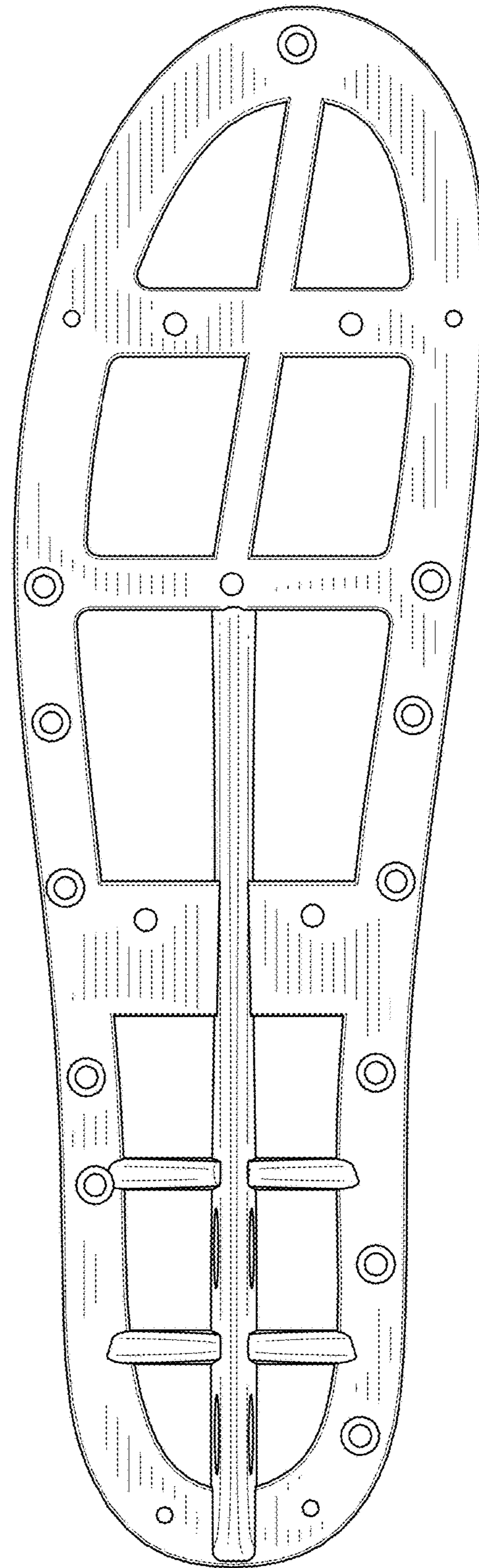


FIG. 8