



US00D836304S

(12) **United States Design Patent**
Jamerson

(10) **Patent No.:** **US D836,304 S**

(45) **Date of Patent:** **** Dec. 25, 2018**

(54) **SHOE**

(71) Applicant: **Mister Jamerson**, Sacramento, CA
(US)

(72) Inventor: **Mister Jamerson**, Sacramento, CA
(US)

(**) Term: **15 Years**

(21) Appl. No.: **29/551,839**

(22) Filed: **Jan. 18, 2016**

(51) **LOC (11) Cl.** **02-04**

(52) **U.S. Cl.**
USPC **D2/897; D2/902**

(58) **Field of Classification Search**
USPC D2/896, 897, 902, 909, 910, 912, 969,
D2/975

CPC A43B 3/0078; A43B 3/242; A43B 23/26
See application file for complete search history.

(56) **References Cited**

U.S. PATENT DOCUMENTS

D227,820 S *	7/1973	Cohen	D2/900
D240,280 S *	6/1976	Senter	D2/902
D242,401 S *	11/1976	Wunsch	D2/907
D249,748 S *	10/1978	Kitamura	D2/907
D257,074 S *	9/1980	Gucci	D2/908
4,517,753 A	5/1985	Rosenbaum et al.	
D329,125 S *	9/1992	Hatfield	D2/897
D329,733 S	9/1992	Miller et al.	
D335,568 S *	5/1993	Kilgore	D2/902
D355,524 S *	2/1995	Hatfield	D2/902
D360,064 S *	7/1995	Verin	D2/908
D381,192 S *	7/1997	Pallera	D2/900
D438,696 S *	3/2001	Haas	D2/902
D517,288 S *	3/2006	Hooker	D2/898
D555,332 S *	11/2007	Liles	D2/902
D555,333 S *	11/2007	Riebesell	D2/902
7,441,348 B1 *	10/2008	Dawson	A43B 3/0078

36/54

D590,137 S *	4/2009	Austin	D2/897
D613,041 S *	4/2010	Thompson	D2/902
D615,734 S *	5/2010	Di Nucci	D2/902
7,891,120 B1	2/2011	Neihoff	
D634,520 S *	3/2011	Choi	D2/902
D665,562 S *	8/2012	Di Nucci	D2/902
D681,317 S *	5/2013	Della Valle	D2/908

(Continued)

FOREIGN PATENT DOCUMENTS

WO WO8200573 3/1982

OTHER PUBLICATIONS

“Converse All Star Double Tongue Heart.” Found online Aug. 30, 2017 at amazon.co.uk. Page dated May 26, 2012. Retrieved from URL: <https://www.amazon.co.uk/Converse-Double-Tongue-Trainers-Multicolour/dp/B0085TTJAA> (Year: 2012).*

(Continued)

Primary Examiner — Garth Rademaker
Assistant Examiner — Katelin G Kloberg

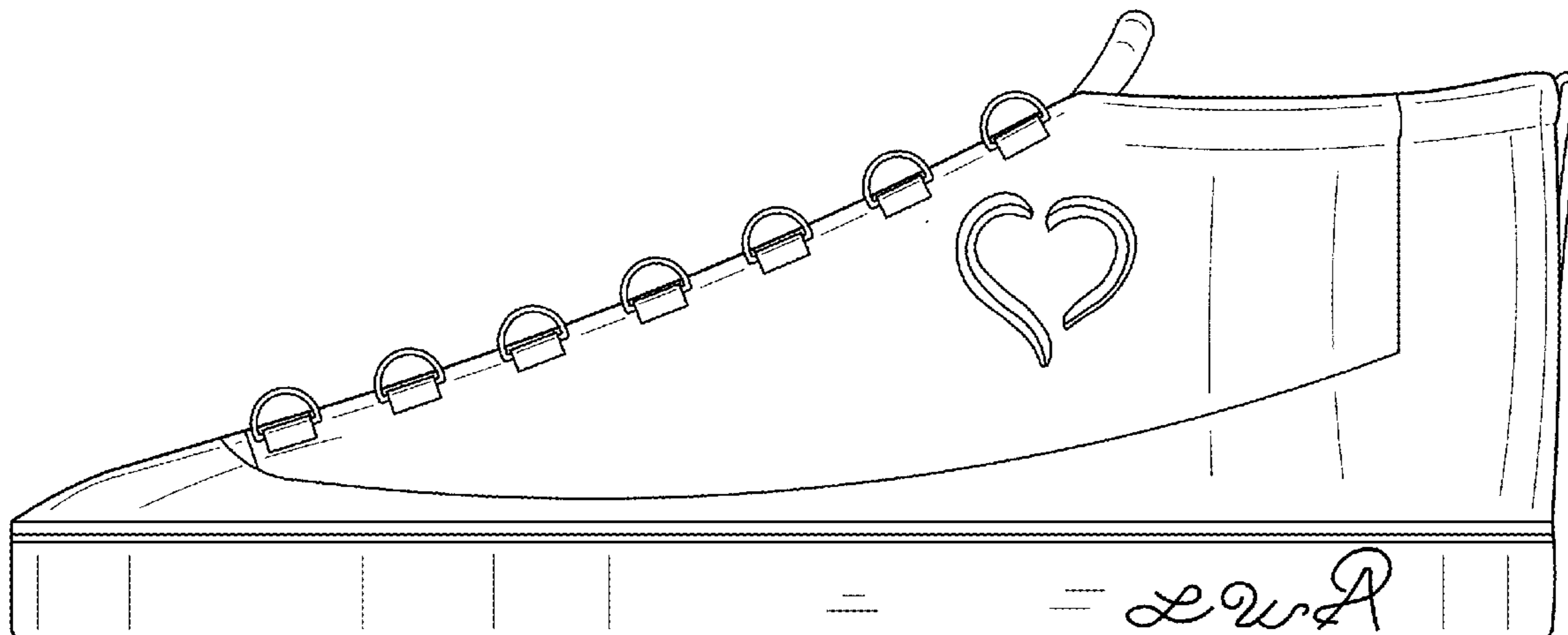
(57) **CLAIM**

The ornamental design for a shoe, as shown and described.

DESCRIPTION

FIG. 1 is a left side view of a first embodiment of a shoe, showing my new design;
FIG. 2 is a right side view thereof;
FIG. 3 is a front view thereof;
FIG. 4 is a rear view thereof;
FIG. 5 is a top view thereof; and,
FIG. 6 is a bottom view thereof.
A second embodiment of the claimed design is a mirror image of the design shown in FIGS. 1-6.
In the drawings, the broken lines represent environmental subject matter that forms no part of the claimed design.

1 Claim, 4 Drawing Sheets



(56)

References Cited

U.S. PATENT DOCUMENTS

D746,029	S	*	12/2015	Hardy	D2/902
D760,482	S	*	7/2016	Siegel	D2/902
D760,483	S	*	7/2016	Siegel	D2/908
D769,586	S	*	10/2016	Buscemi	D2/902
D792,683	S	*	7/2017	Carroll	D2/902
2002/0029494	A1		3/2002	Small		
2011/0041361	A1		2/2011	McCann		

OTHER PUBLICATIONS

“Adidas katalog—Zima 2013.” Found online Aug. 30, 2017 at www.dominomagazine.com. Page dated Sep. 18, 2012. Retrieved from URL: <http://www.dominomagazin.com/stil/adidas-katalog-zima-2013?image=7> (Year: 2012).*

“White Chuck Taylor All Star Love HEart Low Top Canvas Shoes.” Found online Oct. 14, 2017 at www.lagiaraparkhotel.com. Image dated Apr. 10, 2014. Retrieved from URL: https://tineye.com/search/0f302bd537aea055c94c3c2a70750973073a8f0c/?extension_ver=chrome-1.2.0 (Year: 2014).*

“Comme des Garçons wears its heart on a (Converse) shoe.” Found online Oct. 14, 2017 at latimesblog.latimes.com. Page dated Aug. 18, 2009. Retrieved from URL: <http://latimesblogs.latimes.com/alltherage/2009/08/comme-des-garcons-wears-its-heart-on-a-converse-shoe.html> (Year: 2009).*

* cited by examiner

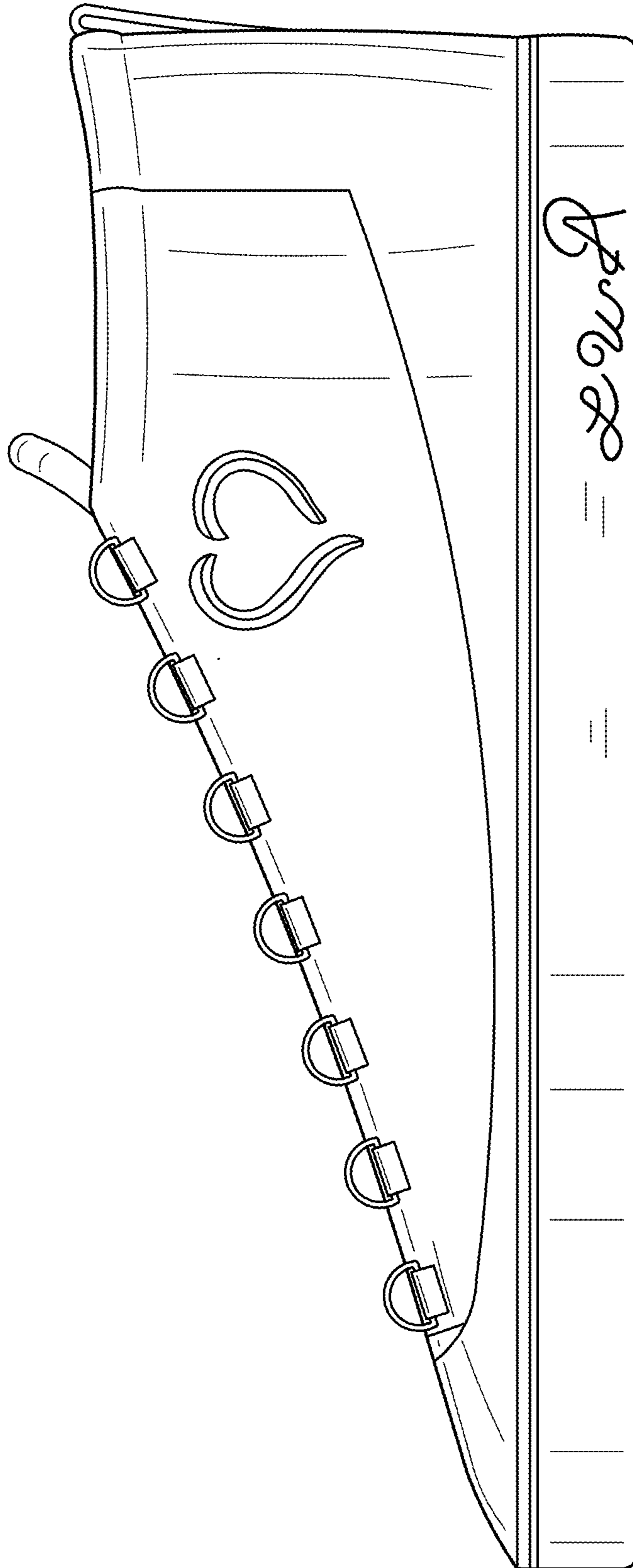


FIG. 1

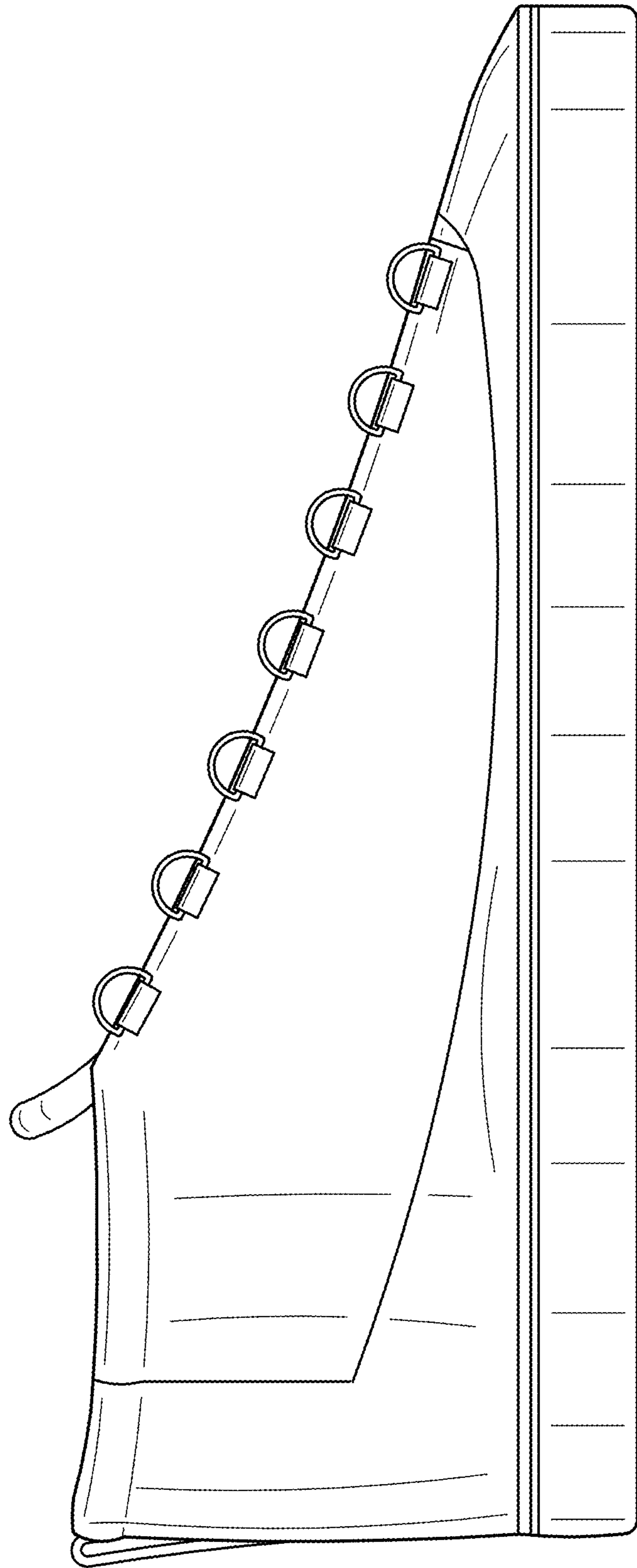


FIG. 2

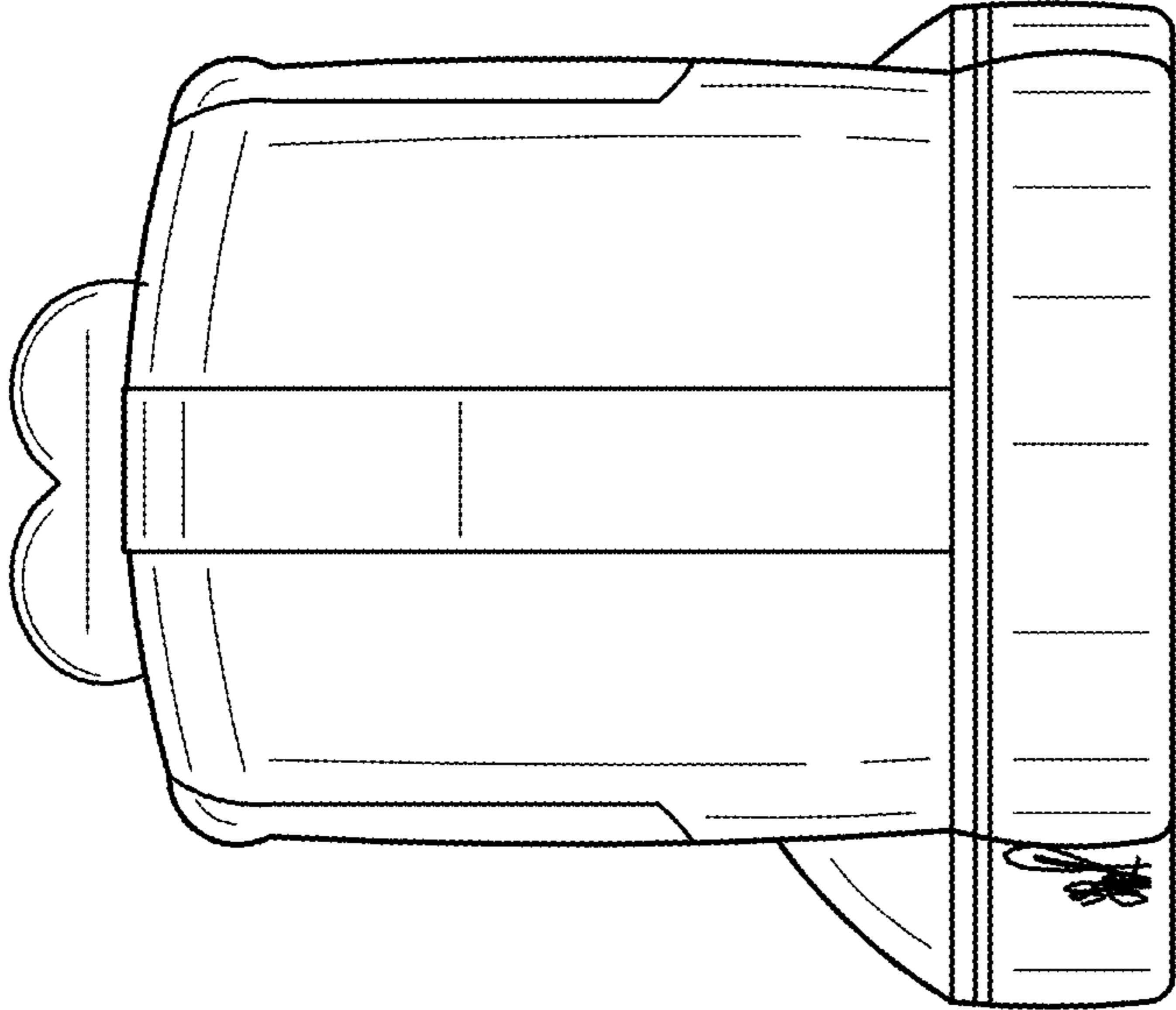


FIG. 4

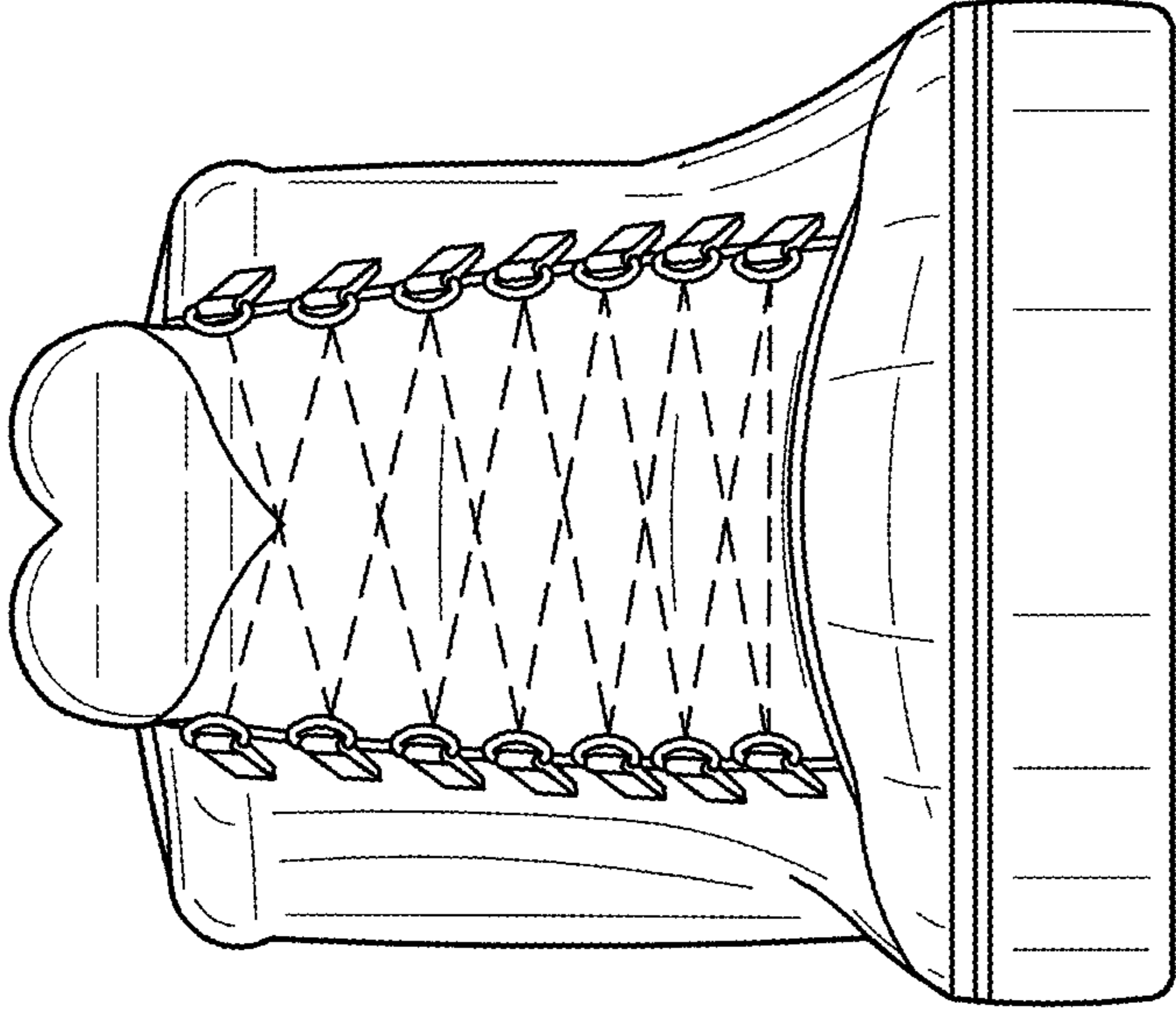


FIG. 3

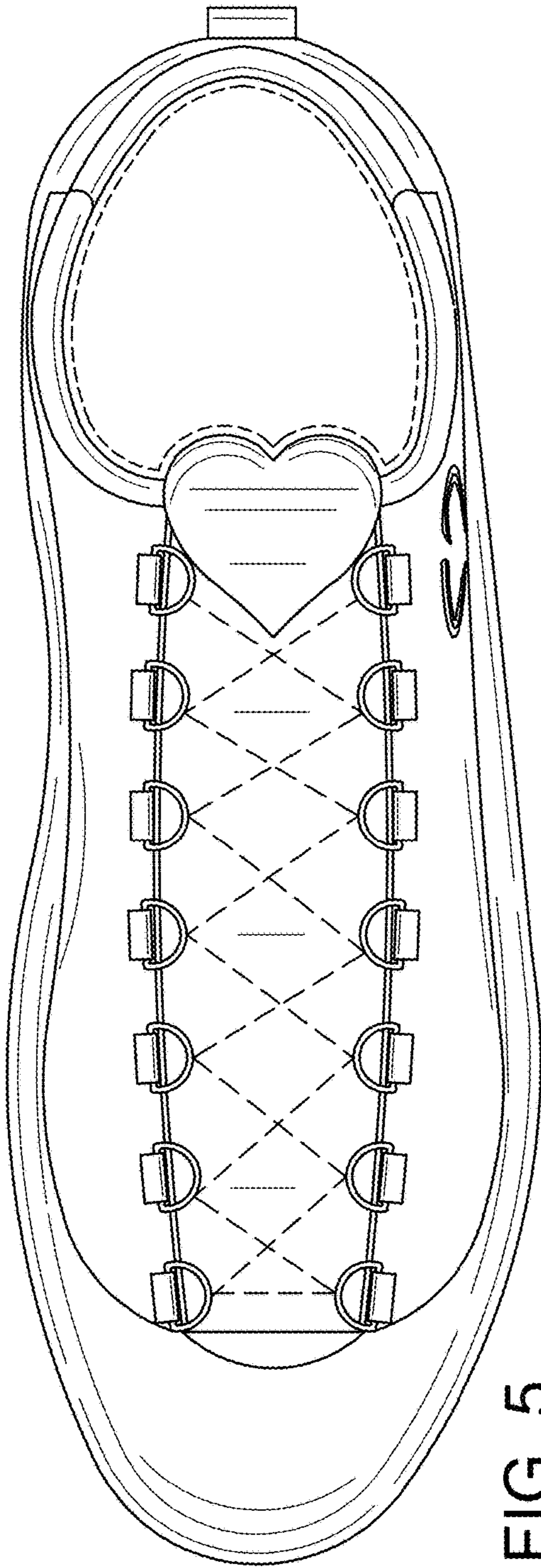


FIG. 5

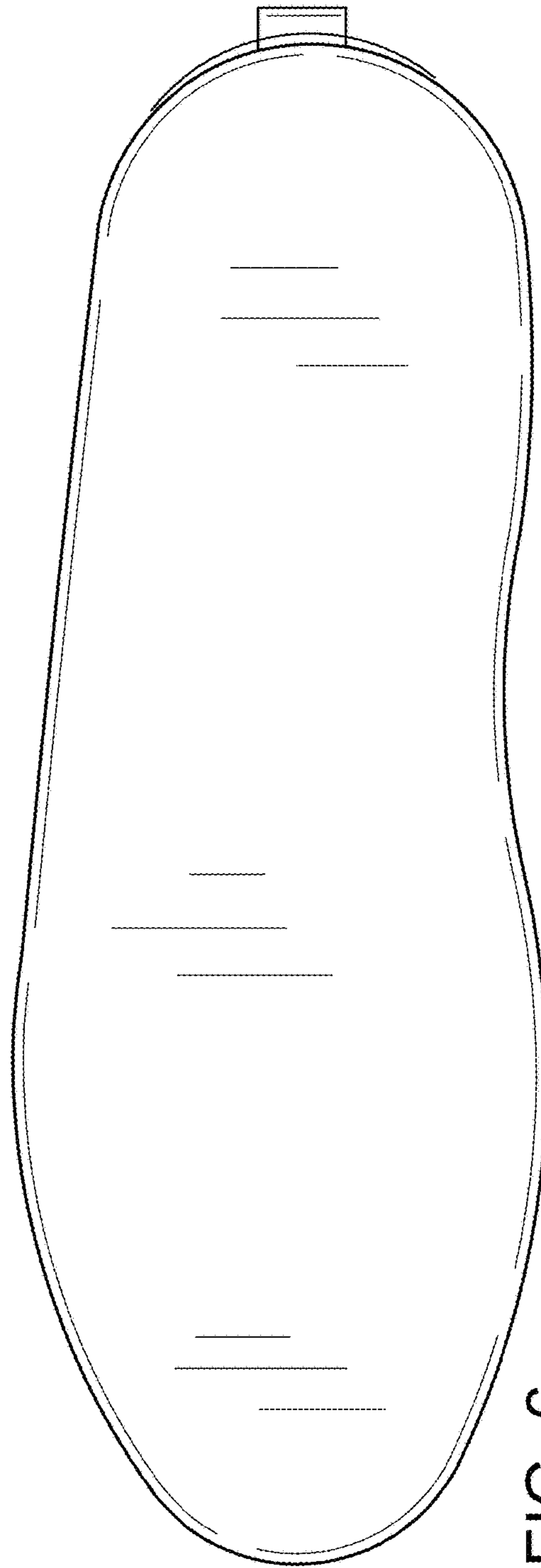


FIG. 6