



US00D836297S

(12) **United States Design Patent** (10) **Patent No.:** **US D836,297 S**
Pasko (45) **Date of Patent:** **** *Dec. 25, 2018**

(54) **MEDICAL GOWN**

FOREIGN PATENT DOCUMENTS

(71) Applicant: **Medline Industries, Inc.**, Mundelein, IL (US)

CA 2343482 10/2001
CA 2799116 8/2013

(Continued)

(72) Inventor: **Stephanie Pasko**, Des Plaines, IL (US)

(73) Assignee: **Medline Industries, Inc.**, Northfield, IL (US)

OTHER PUBLICATIONS

Fashion Flats. <URL: http://fashion-flats.com/pictures/1_raglan_sleeves.jpg>. Visited May 21, 2015. Types of raglan sleeves.*

(Continued)

(*) Notice: This patent is subject to a terminal disclaimer.

(**) Term: **14 Years**

Primary Examiner — Bridget L Eland
Assistant Examiner — Lauren D McVey

(21) Appl. No.: **29/467,603**

(74) *Attorney, Agent, or Firm* — Philip H. Burrus, IV

(22) Filed: **Sep. 20, 2013**

Related U.S. Application Data

(63) Continuation-in-part of application No. 13/276,232, filed on Oct. 18, 2011, and a continuation-in-part of application No. 13/804,565, filed on Mar. 14, 2013, and a continuation-in-part of application No. 29/404,295, filed on Oct. 18, 2011.

(57) **CLAIM**

The ornamental design for a medical gown, as shown and described.

(51) **LOC (11) Cl.** **02-02**

DESCRIPTION

(52) **U.S. Cl.**
USPC **D2/720**

(58) **Field of Classification Search**
USPC 2/69, 74, 96, 83, 114, 456; D2/717, 718, D2/720, 728, 739, 749, 750, 797, 833, D2/840, 847, 850
CPC . A41D 1/22; A41D 1/18; A41D 1/205; A41D 10/00; A41D 13/129; A41D 13/1209; A41D 13/1236; A41D 13/1245; A41D 13/1281

FIG. 1 is a front elevation view of a first embodiment of a medical gown illustrating our new design in an untied configuration; and

FIG. 2 is a rear elevation view thereof.

FIG. 3 is a front elevation view of a second embodiment of a medical gown illustrating our new design in an untied configuration; and,

FIG. 4 is a rear elevation view thereof.

The dashed line between the neck and opening along the back of the gown is a perforation and forms part of the claimed design. The broken lines immediately adjacent to the claimed areas represents the bounds of the claimed design while all other broken lines are directed to environment and are for illustrative purposes only, as these broken lines form no part of the claimed design.

See application file for complete search history.

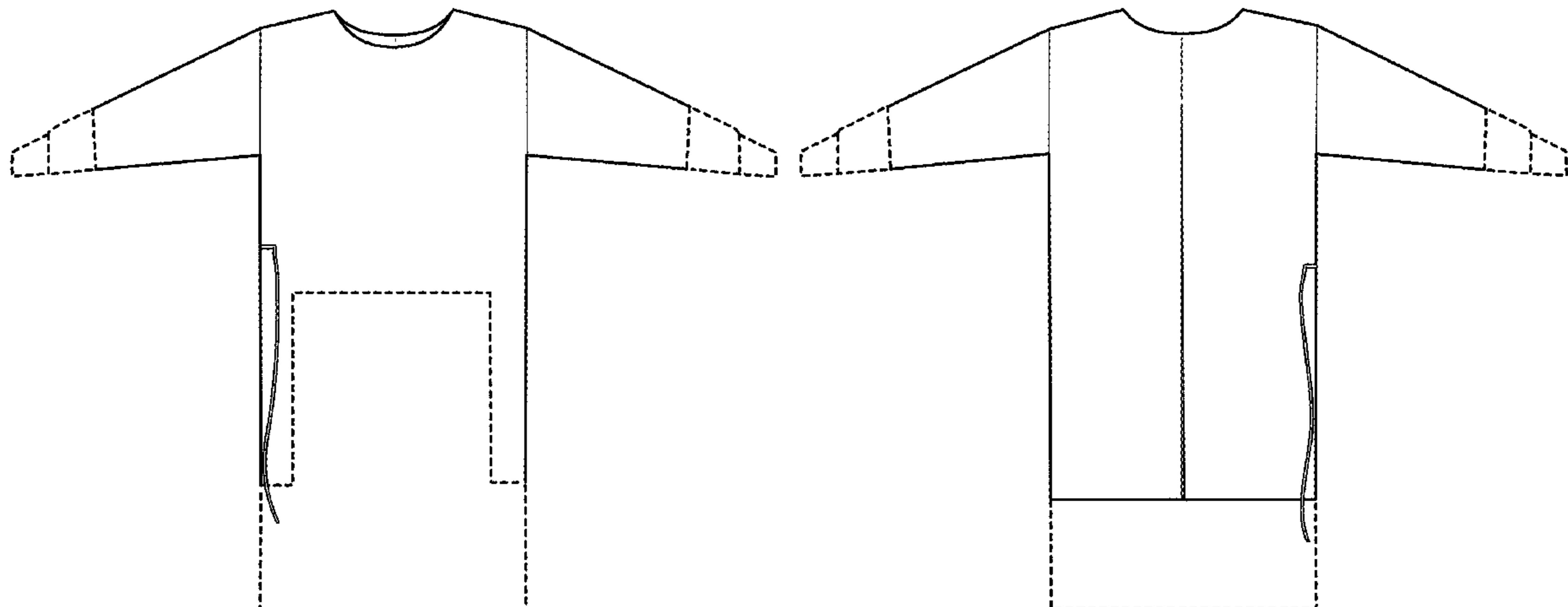
(56) **References Cited**

U.S. PATENT DOCUMENTS

313,046 A 3/1885 Batdorf
371,353 A 10/1887 Perry
842,224 A 1/1907 Mills

(Continued)

1 Claim, 2 Drawing Sheets



(56)

References Cited

U.S. PATENT DOCUMENTS

| | | | | | |
|---------------|---------|-------------------------------|----------------|---------|----------------------------|
| 850,960 A | 4/1907 | O'Connoor | 4,674,132 A | 6/1987 | Stein et al. |
| 884,063 A | 4/1908 | Baldwin | 4,686,715 A | 8/1987 | Price |
| 1,506,332 A | 8/1924 | Bloom | 4,705,171 A | 11/1987 | Eldridge |
| 1,980,435 A | 11/1934 | Reagan | 4,718,124 A | 1/1988 | Sawicki et al. |
| D108,151 S | 1/1938 | Cairns | 4,736,467 A * | 4/1988 | Schwarze et al. 2/114 |
| 2,172,162 A | 8/1939 | Gillette | 4,783,854 A | 11/1988 | Bjorklund |
| 2,292,347 A * | 8/1942 | Bailey 2/93 | 4,829,602 A | 5/1989 | Harreld et al. |
| D136,385 S | 9/1943 | Pons | D305,376 S | 1/1990 | Russell |
| D136,386 S | 9/1943 | Pons | D305,575 S | 1/1990 | Gordon et al. |
| 2,374,643 A * | 5/1945 | Boettcher 2/114 | 4,905,710 A | 3/1990 | Jones |
| D146,506 S | 3/1947 | Kenny | 4,920,578 A | 5/1990 | Janzen et al. |
| 2,430,941 A | 11/1947 | Long | 4,942,987 A | 7/1990 | Stackhouse |
| 2,431,466 A | 11/1947 | Barri | 4,951,317 A | 8/1990 | Gray et al. |
| 2,449,584 A | 9/1948 | Briton | 4,951,318 A | 8/1990 | Harreld et al. |
| 2,556,931 A | 6/1951 | Miller | 4,964,173 A | 10/1990 | Gordon |
| 2,653,324 A | 8/1953 | McMahon | 4,969,215 A | 11/1990 | Burkett |
| 2,668,294 A | 2/1954 | Gilpin | 5,010,592 A | 4/1991 | Skiles, Jr. |
| 2,673,347 A | 3/1954 | Weiss | 5,027,438 A | 7/1991 | Schwarze |
| 2,825,902 A | 3/1958 | Breier | 5,029,344 A | 7/1991 | Shannon et al. |
| D193,132 S * | 7/1962 | Rhoads D2/860 | 5,033,115 A | 7/1991 | Bowling et al. |
| 3,129,432 A | 4/1964 | Belkin | D319,113 S | 8/1991 | Adams |
| 3,130,462 A | 4/1964 | Mitchell | 5,042,507 A | 8/1991 | Dowdy |
| 3,144,661 A | 8/1964 | Buser | 5,061,246 A | 10/1991 | Anapliotis |
| 3,229,305 A | 1/1966 | Nevitt | 5,063,919 A | 11/1991 | Silverberg |
| 3,276,036 A | 10/1966 | Carter et al. | 5,074,316 A | 12/1991 | Dowdy |
| D208,527 S | 9/1967 | Grengg | 5,088,116 A | 2/1992 | Gould |
| 3,359,569 A | 12/1967 | Scrivens | 5,097,534 A | 3/1992 | Viemeister et al. |
| 3,397,406 A | 8/1968 | Leach | 5,135,188 A | 8/1992 | Anderson et al. |
| 3,399,406 A | 9/1968 | Bradley | 5,136,758 A | 8/1992 | Wilcox et al. |
| 3,429,433 A | 2/1969 | Holt | 5,184,351 A | 2/1993 | Benstock |
| 3,451,062 A | 6/1969 | Bradley | 5,271,100 A * | 12/1993 | Holt 2/114 |
| 3,540,441 A | 11/1970 | Collins | D348,974 S | 7/1994 | Whitwill |
| 3,625,206 A | 12/1971 | Charnley | D351,712 S | 10/1994 | Jackson |
| 3,696,443 A | 10/1972 | Taylor | 5,362,306 A | 11/1994 | McCarver et al. |
| 3,707,964 A | 1/1973 | Patience et al. | 5,372,589 A | 12/1994 | Davis |
| 3,721,997 A | 3/1973 | Mundt | 5,377,387 A | 1/1995 | Freed |
| 3,721,999 A | 3/1973 | Goya et al. | D356,204 S | 3/1995 | Derrickson |
| 3,803,640 A | 4/1974 | Ericson | 5,410,758 A | 5/1995 | Dupont et al. |
| 3,824,625 A * | 7/1974 | Green 2/114 | 5,414,867 A | 5/1995 | Bowling et al. |
| D233,634 S | 11/1974 | Snider | 5,444,871 A | 8/1995 | Lopez |
| 3,858,243 A | 1/1975 | Pierron et al. | 5,444,872 A | 8/1995 | Johnson |
| 3,868,728 A * | 3/1975 | Krzewinski 2/114 | 5,444,873 A | 8/1995 | Levin |
| 3,881,476 A | 5/1975 | Bolker et al. | D362,331 S | 9/1995 | Berger, II |
| D236,293 S | 8/1975 | Banks | 5,454,119 A | 10/1995 | Thomm |
| 3,921,221 A | 11/1975 | Zoephel | 5,533,209 A | 7/1996 | Davis |
| 3,935,596 A | 2/1976 | Allen, Jr. et al. | D374,113 S | 10/1996 | Console |
| 3,952,373 A | 4/1976 | Noorily | 5,561,861 A * | 10/1996 | Lopez et al. 2/123 |
| 3,968,792 A | 7/1976 | Small | 5,575,006 A | 11/1996 | Wolfe |
| 3,989,040 A | 11/1976 | Lofgren et al. | 5,605,534 A | 2/1997 | Hutchison |
| 4,000,521 A | 1/1977 | Zoephel et al. | 5,674,189 A | 10/1997 | McDowell et al. |
| 4,017,909 A | 4/1977 | Brandriff | 5,694,643 A | 12/1997 | Fujiwara |
| 4,040,124 A | 8/1977 | Zoephel | 5,707,703 A | 1/1998 | Rothrum et al. |
| 4,119,093 A | 10/1978 | Goodman | 5,768,707 A * | 6/1998 | Lederer 2/114 |
| 4,119,095 A | 10/1978 | Lewis | 5,784,718 A | 7/1998 | Finnegan |
| 4,153,054 A | 5/1979 | Boone | 5,806,094 A * | 9/1998 | Kasun et al. 2/69 |
| 4,171,542 A * | 10/1979 | Cox et al. 2/51 | 5,813,051 A | 9/1998 | Counter |
| D254,276 S | 2/1980 | Behrmann | 5,813,052 A * | 9/1998 | Taylor 2/114 |
| 4,214,320 A | 7/1980 | Belkin | 5,862,525 A | 1/1999 | Tankersley et al. |
| RE30,520 E | 2/1981 | Pierron | 5,867,825 A | 2/1999 | Scheerer |
| 4,290,148 A | 8/1981 | Roberts | 5,985,395 A | 11/1999 | Comstock et al. |
| 4,308,864 A | 1/1982 | Small et al. | D419,748 S | 2/2000 | Sartori |
| D267,830 S * | 2/1983 | Arnseth et al. D2/800 | 6,049,907 A | 4/2000 | Palomo |
| 4,384,573 A | 5/1983 | Elliott | 6,062,444 A | 5/2000 | Tankersley et al. |
| 4,408,357 A | 10/1983 | Toth | 6,115,840 A | 9/2000 | Hastings |
| 4,476,587 A | 10/1984 | Itoi | D431,344 S | 10/2000 | Briceno |
| 4,476,860 A | 10/1984 | Collins et al. | 6,138,278 A | 10/2000 | Taylor |
| 4,504,977 A * | 3/1985 | King et al. 2/51 | 6,196,033 B1 | 3/2001 | Dowdle |
| 4,523,335 A | 6/1985 | Scrivens | 6,216,270 B1 | 4/2001 | Moquin et al. |
| 4,535,481 A * | 8/1985 | Ruth-Larson et al. 2/114 | 6,235,659 B1 * | 5/2001 | McAmish et al. 442/79 |
| 4,561,126 A | 12/1985 | Truman | 6,272,685 B1 | 8/2001 | Kumar |
| 4,569,341 A | 2/1986 | Morris | 6,378,136 B2 | 8/2002 | Matsushita |
| 4,570,268 A | 2/1986 | Freeman | D463,093 S | 9/2002 | Murray |
| 4,622,699 A | 11/1986 | Spriggs | 6,449,772 B1 | 9/2002 | Donner et al. |
| 4,631,756 A | 12/1986 | Scrivens | D469,945 S | 2/2003 | Mayer |
| 4,653,120 A | 3/1987 | Leaf | 6,536,636 B1 | 3/2003 | McDonniel |
| | | | 6,564,386 B2 | 5/2003 | Fujikawa et al. |
| | | | 6,601,239 B2 | 8/2003 | Drake |
| | | | 6,665,880 B2 | 12/2003 | Poppe |
| | | | 6,694,981 B2 | 2/2004 | Gingles et al. |

(56)

References Cited

U.S. PATENT DOCUMENTS

6,990,686 B2 1/2006 Palmer
 D533,982 S 12/2006 Graneto, III
 7,181,773 B1 2/2007 Piraka
 7,237,271 B1 7/2007 McLandrich
 D563,627 S 3/2008 Warren
 D565,279 S 4/2008 Ferrell
 7,370,369 B2 * 5/2008 Cheung 2/59
 7,412,728 B2 8/2008 Alesina et al.
 D575,936 S * 9/2008 Fenderson et al. D2/864
 D579,178 S 10/2008 Snyder et al.
 7,454,798 B2 11/2008 Feodoroff
 D584,483 S 1/2009 Glynn
 7,549,179 B1 6/2009 Saied
 D598,638 S 8/2009 Graneto, III
 7,594,279 B2 * 9/2009 Roy 2/114
 D608,980 S 2/2010 Brady
 7,654,266 B2 2/2010 Corbitt, Jr.
 D612,126 S 3/2010 Milgrom
 D618,884 S * 7/2010 Zhu D2/720
 D622,479 S 8/2010 Herzog
 D622,934 S 9/2010 Graneto, III
 7,819,911 B2 10/2010 Anderson et al.
 7,841,020 B2 11/2010 Mayfield et al.
 7,926,120 B2 4/2011 Birmingham
 7,971,274 B2 7/2011 Graneto, III
 8,006,836 B2 8/2011 Trombetta
 D646,463 S 10/2011 Petrovskis et al.
 D647,688 S 11/2011 Hilgart
 8,056,146 B2 * 11/2011 Porowski 2/51
 8,069,495 B2 12/2011 Kemper
 D653,019 S 1/2012 Bond
 D655,479 S 3/2012 Umbach et al.
 D657,530 S 4/2012 Farris et al.
 8,162,137 B2 4/2012 Vellutato, Jr.
 8,286,263 B2 10/2012 Sampson-Howlett
 8,332,965 B1 12/2012 Ryer
 8,375,466 B2 2/2013 Tasezen et al.
 D680,709 S 4/2013 Blood
 8,464,374 B1 6/2013 Thayer
 D687,209 S 8/2013 Levine
 D690,078 S 9/2013 Anderson
 D698,529 S 2/2014 Vanneste
 8,677,513 B2 3/2014 Mathis et al.
 D719,721 S * 12/2014 Bonfiglio D2/720
 D721,870 S * 2/2015 Levine D2/720
 D736,493 S 8/2015 Pasko
 D737,546 S 9/2015 Sewall Sheila
 D741,044 S 10/2015 Pasko
 9,330,799 B1 5/2016 Phillips
 D774,729 S 12/2016 Pasko
 D779,155 S 2/2017 Pasko et al.
 D779,156 S 2/2017 Pasko
 D785,284 S 5/2017 Pasko
 D787,780 S 5/2017 Pasko
 D791,434 S 7/2017 Pasko
 D792,056 S 7/2017 Reese et al.
 2001/0032346 A1 10/2001 Matsushita et al.
 2002/0095709 A1 7/2002 Fujikawa et al.
 2003/0121522 A1 7/2003 Gingles et al.
 2003/0131401 A1 7/2003 Dilworth
 2004/0019951 A1 2/2004 Cioffi
 2004/0103904 A1 6/2004 Auerbach et al.
 2004/0123366 A1 7/2004 Schorr et al.
 2005/0044608 A1 3/2005 Ambrose et al.
 2005/0132465 A1 6/2005 Kathumbi-Jackson et al.
 2005/0223468 A1 10/2005 Hatton
 2006/0000002 A1 1/2006 Bergkvist
 2006/0064797 A1 3/2006 Pyeatt Rowe
 2006/0107434 A1 5/2006 Rowe
 2006/0117452 A1 6/2006 Ambrose
 2006/0117456 A1 6/2006 Griesbach
 2006/0177655 A1 8/2006 Mizohata et al.
 2006/0236440 A1 10/2006 Zahler
 2006/0277655 A1 12/2006 Kerr
 2006/0286334 A1 12/2006 Harpole

2007/0130668 A1 * 6/2007 Berman et al. 2/114
 2008/0006279 A1 1/2008 Bodenham et al.
 2008/0115253 A1 5/2008 Gorman
 2008/0155728 A1 * 7/2008 Hafer et al. 2/69
 2008/0178365 A1 7/2008 Furgerson et al.
 2009/0165186 A1 7/2009 Mijares et al.
 2009/0320177 A1 12/2009 Lin et al.
 2010/0031966 A1 2/2010 Allen
 2010/0064408 A1 3/2010 Kemper
 2010/0138975 A1 6/2010 Jordan et al.
 2010/0212063 A1 8/2010 Baucom et al.
 2010/0299805 A1 12/2010 Graneto, III
 2010/0300459 A1 12/2010 Lair
 2011/0024485 A1 2/2011 Porowski
 2011/0154554 A1 6/2011 Furlong
 2011/0167534 A1 7/2011 Wong et al.
 2011/0231981 A1 9/2011 Appel et al.
 2011/0315150 A1 12/2011 Bream, Jr.
 2012/0047623 A1 3/2012 can Oudenallen et al.
 2012/0054940 A1 3/2012 Halseth
 2012/0060257 A1 3/2012 Herzog
 2012/0124722 A1 5/2012 Yadav et al.
 2012/0305541 A1 12/2012 Giles
 2012/0312308 A1 12/2012 Allen
 2013/0091615 A1 4/2013 Pasko et al.
 2013/0091616 A1 4/2013 Muche et al.
 2013/0191960 A1 8/2013 Pasko
 2013/0198930 A1 8/2013 Levine
 2013/0276204 A1 10/2013 Pasko et al.
 2013/0318682 A1 12/2013 Graneto, III
 2014/0007316 A1 1/2014 Tommarello et al.
 2014/0082816 A1 3/2014 Christopher
 2014/0173814 A1 6/2014 Yadav et al.
 2014/0182043 A1 7/2014 Moore
 2014/0189931 A1 7/2014 Fredrickson
 2014/0215681 A1 8/2014 Goodman
 2015/0089712 A1 4/2015 Gamble
 2015/0096099 A1 4/2015 Vanneste
 2015/0113698 A1 4/2015 Gregerson-Brown
 2015/0135397 A1 5/2015 Levine
 2015/0135398 A1 * 5/2015 Czajka et al. 2/114
 2015/0208741 A1 7/2015 Pasko
 2015/0213215 A1 7/2015 Kobayashi et al.

FOREIGN PATENT DOCUMENTS

CN 302083878 9/2012
 DE 102009024999 12/2010
 DE 102011016497 10/2012
 EM 001320857 3/2012
 EM 1407324-0001 * 5/2014
 EM 1407324-0002 * 5/2014
 EM 1407324-0003 * 5/2014
 EM 1407324-0004 * 5/2014
 EP 143204 6/1985
 EP 0335041 10/1989
 EP 335041 10/1989
 EP 1362520 11/2003
 FR 2709643 3/1995
 KR 101116311 3/2012
 WO WO 2008146138 A2 * 12/2008 A41D 13/1236
 WO 2014159401 10/2014

OTHER PUBLICATIONS

Fashion Flats. <URL: http://fashion-flats.com/images/1_details_set_in_sleeves.jpg>. Visited May 21, 2015. Types of set-in sleeves.*
 The Visual Dictionary. <URL: http://www.infovisual.info/06/049_en.html>. Jun. 1, 2013. Types of cuffs.*
 Vintage Patterns Wikia. <URL: http://vintagepatterns.wikia.com/wiki/Butterick_5374> visited Dec. 9, 2015. Butterick 5374—Vintage Sewing Blouse Pattern.*
 Jendela Sastra.<URL: <http://www.jendelasastra.com/karya/puisi/hadajuban-dalam-kimono>>. Poem with picture published Jan. 10, 2014. Hadajuban (first layer of kimono).*
 Sakura-San.<URL: <http://www.sakura-san.de/Juban.htm>>. Saved Jul. 12, 2013. Juban for Furisode and Hada-Juban layers for kimono.*

(56)

References Cited

OTHER PUBLICATIONS

Go Japan Go. <URL: http://www.gojapango.com/fashion/hadajuban_kimono.html>. Visited Feb. 4, 2016. Hadajuban.*

Rakuten. <URL: [http://global.rakuten.com/en/store/753ya/item/10013128/\[2/4/2016%201:51:48%20PM\]](http://global.rakuten.com/en/store/753ya/item/10013128/[2/4/2016%201:51:48%20PM])>. Visited Feb. 4, 2016. Hada-Juban.*

Walshon, Rashida, "Non-Final OA", U.S. Appl. No. 29/591,354, filed Jan. 19, 2017; dated Apr. 17, 2018. (Year: 2018).*

Vanatta, Amy "Non-Final Office Action", U.S. Appl. No. 12/720,360, filed Mar. 9, 2010, dated Oct. 11, 2011.

Harris, Raymond E., "Non-Final Office Action", U.S. Appl. No. 12/537,961, filed Aug. 7, 2009; dated Nov. 9, 2011.

Vanatta, Amy B., "Notice of Allowance", U.S. Appl. No. 12/720,360, filed Mar. 9, 2012; dated Feb. 9, 2012.

Harris, Raymond E., "Final Office Action", U.S. Appl. No. 12/537,961, filed Aug. 7, 2009; dated Apr. 11, 2012.

Harris, Raymond E., "NonFinal OA", U.S. Appl. No. 12/537,961, filed Aug. 17, 2009; dated Jul. 17, 2012.

Lee, Cheol Soo "International Search Report", PCT/US2012/032122; filed Apr. 4, 2012; dated Nov. 1, 2012.

Harris, Raymond E., "Final OA", U.S. Appl. No. 12/537,961, filed Aug. 7, 2009; dated Nov. 21, 2012.

Byun, Sung C., "PCT Search Report", PCT No. PCT/US2012/052079; filed Aug. 23, 2012; dated Dec. 26, 2012.

Hicks, Victoria "NonFinal OA", U.S. Appl. No. 13/116,473, filed May 26, 2011; dated May 16, 2013.

Haden, Sally C., "Final OA", U.S. Appl. No. 13/925,617, filed Jun. 24, 2013; dated Dec. 3, 2013.

Haden, Sally C., "Final OA", U.S. Appl. No. 13/925,617, filed Jun. 24, 2007; dated Dec. 3, 2013.

Fitts, Carissa "NonFinal OA", U.S. Appl. No. 29/404,295, filed Oct. 18, 2011; dated Jul. 1, 2014.

Lee, Jong Kyung "PCT Search Report and Written Opinion", PCT/US2014/023432; filed Mar. 11, 2014, dated Jul. 10, 2014.

Haden, Sally C., "NonFinal OA", U.S. Appl. No. 13/925,617, filed Jun. 24, 2013; dated Aug. 13, 2014.

Fitts, Carissa "NonFinal OA", U.S. Appl. No. 29/404,296, filed Oct. 8, 2011; dated Oct. 9, 2014.

Blue Medical Gown; Manufactured by Medline Industries, Inc.

Fitts, Carissa "Final OA", U.S. Appl. No. 29/404,295, filed Oct. 18, 2011, dated Feb. 19, 2015.

McVey, Lauren "NonFinal OA", U.S. Appl. No. 29/459,047, filed Jun. 25, 2013, dated Apr. 23, 2015.

McVey, Lauren "Notice of Allowance", U.S. Appl. No. 29/459,060, filed Jun. 25, 2013, dated Apr. 23, 2015.

Haden, Sally C., "NonFinal OA", U.S. Appl. No. 13/276,232, filed Oct. 18, 2011; dated Apr. 8, 2013.

Haden, Sally C., "Final OA", U.S. Appl. No. 13/276,232, filed Oct. 18, 2011; dated Jul. 17, 2013.

Haden, Sally C., "NonFinal OA", U.S. Appl. No. 13/925,617, filed Jun. 24, 2013; dated Aug. 14, 2013.

McVey, Lauren D., "NonFinal OA", U.S. Appl. No. 29/467,619, filed Sep. 20, 2013; dated May 20, 2015.

McVey, Lauren "NonFinal OA", U.S. Appl. No. 29/467,612, filed Sep. 20, 2013, dated Jun. 5, 2015.

McVey, Lauren "Notice of Allowance", U.S. Appl. No. 29/467,620, filed Sep. 20, 2013; dated Jun. 23, 2015.

Fitts, Carissa "Final OA", U.S. Appl. No. 29/404,296, filed Oct. 18, 2011; dated Jul. 2, 2015.

McVey, Lauren "NonFinal OA", U.S. Appl. No. 29/467,625, filed Sep. 20, 2013; dated Jul. 29, 2015.

McVey, Lauren "NonFinal OA", U.S. Appl. No. 29/467,616, filed Sep. 20, 2013; dated Jun. 17, 2015.

Cline, Sally "Restriction Reg", U.S. Appl. No. 13/804,565, filed Mar. 14, 2013; dated Aug. 13, 2015.

McVey, Lauren "NonFinal OA", U.S. Appl. No. 29/467,621, filed Sep. 20, 2013; dated Aug. 26, 2015.

Wu, Jocelyn Mary "NonFinal OA", U.S. Appl. No. 14/086,798, filed Nov. 21, 2013; dated Sep. 24, 2015.

McVey, Lauren "Final OA", U.S. Appl. No. 29/459,047, filed Jun. 25, 2013; dated Sep. 24, 2015.

McVey, Lauren "Final OA", U.S. Appl. No. 29/467,619, filed Sep. 20, 2013; dated Oct. 20, 2015.

Haden, Sally C., "NonFinal OA", U.S. Appl. No. 13/804,565, filed Mar. 14, 2013; dated Oct. 29, 2015.

McVey, Lauren "Final OA", U.S. Appl. No. 29/467,616, filed Sep. 20, 2013; dated Nov. 3, 2015.

Haden, Sally "NonFinal OA", U.S. Appl. No. 13/925,598, filed Jun. 24, 2013; dated Dec. 15, 2015.

Fitts, Carissa "NonFinal OA", U.S. Appl. No. 29/467,622, filed Sep. 20, 2013; dated Dec. 30, 2015.

Haden, Sally "NonFinal OA", U.S. Appl. No. 13/925,532, filed Jun. 24, 2013; dated Jan. 8, 2016.

Fitts, Carissa "NonFinal OA", U.S. Appl. No. 29/467,623, filed Sep. 20, 2013; dated Jan. 13, 2016.

Walshon, Rashida "NonFinal OA", U.S. Appl. No. 29/506,290, filed Oct. 14, 2014; dated Jan. 20, 2016.

"Final OA", U.S. Appl. No. 14/086,798, filed Nov. 21, 2013; dated Feb. 1, 2016.

Disposable Medical Gown; Elastic Cuffs; Salamint, posted at salaaming.com, posting date n/a, copyright 2015 salamin.com, online, site visit Mar. 11, 2016; Available from <https://www.salamint.com/productdetail.aspx?id=358>.

Wright, Jennifer "NonFinal OA", U.S. Appl. No. 29/506,294, filed Oct. 14, 2014; dated Mar. 28, 2016.

Disposable Medical Gown; Thumb Loop Plastic Disposable Medical Surgical Gown, posting date n/a, copyright 1999-2016 alibaba.com; site visited Mar. 11, 2016, available from http://www.alibaba.com/product-detail/CPE-Gown-Thumb-loop-White-color_60043196775.html.

McVey, Lauren "Final OA", U.S. Appl. No. 29/467,621, filed Sep. 20, 2013; dated Apr. 11, 2016.

Fitts, Carissa "NonFinal OA", U.S. Appl. No. 29/404,296, filed Oct. 18, 2011; dated Apr. 22, 2016.

Fitts, Carissa, "Notice of Allowance", U.S. Appl. No. 29/536,646; filed Aug. 18, 2015; dated Jul. 3, 2018.

Haden, Sally, "NonFinal Office Action", U.S. Appl. No. 13/925,617, filed Jun. 24, 2013; dated May 21, 2018.

McVey, Lauren, "Final OA", U.S. Appl. No. 29/545,805, filed Nov. 16, 2015; dated May 17, 2018.

McVey, Lauren, "Final OA", U.S. Appl. No. 29/545,806, filed Nov. 16, 2015; dated May 17, 2018.

McVey, Lauren, "Final Office Action", U.S. Appl. No. 29/545,802, filed Nov. 16, 2015; dated May 17, 2018.

Country Living down under. <URL: http://countrylivingdownunder.yuku.com/topic/6395/How-to-attach-elastic-to-gather-andto-shit#.WQCbi_krJaQ> Jun. 2, 2014. Gathering with elastic.

Definition of Progressive. Merriam-Webster. Merriam-Webster, n.d. Web. May 17, 2016.

Lyst. <URL: <https://www.lyst.com/clothing/chritophe-lemaire-yak-hair-wool-thumbhole-sweater-moss-stone/>> Visited Apr. 26, 2017 by Examiner of U.S. Appl. No. 29/545,806; Chritophe Lemaire Thumbhole Sweater.

"Appeal Decision", U.S. Appl. No. 13/276,232, filed Oct. 18, 2011; dated May 31, 2016.

"BurdaStyle Women's Size Chart", http://www.burdastyle.com/downloads/SizeChart_Regular_inches.pdf; Publication Date Unknown.

Fitts, Carissa, "Final OA", U.S. Appl. No. 29/467,622, filed Sep. 20, 2013; dated Jul. 12, 2016.

Fitts, Carissa, "Final OA", U.S. Appl. No. 29/536,646, filed Aug. 18, 2015; dated Oct. 4, 2017.

Fitts, Carissa, "NonFinal OA", U.S. Appl. No. 29/467,622, filed Sep. 20, 2013; dated May 2, 2017.

Fitts, Carissa, "NonFinal OA", U.S. Appl. No. 29/536,646, filed Aug. 18, 2015; dated Jun. 27, 2017.

Fitts, Carissa, "Notice of Allowance", U.S. Appl. No. 29/404,296; filed Oct. 18, 2011; dated Oct. 7, 2016.

Fitts, Carissa, "Notice of Allowance", U.S. Appl. No. 29/467,622, filed Sep. 20, 2013; dated Sep. 26, 2017.

Fitts, Carissa C., "Notice of Allowance", U.S. Appl. No. 29/467,623, filed Sep. 20, 2013; dated Jan. 13, 2017.

(56)

References Cited

OTHER PUBLICATIONS

Haden, Sally, "Appeal Decision", U.S. Appl. No. 13/925,617, filed Jun. 24, 2013; dated Jun. 6, 2017.
Haden, Sally, "Final OA", U.S. Appl. No. 13/925,598, filed Jun. 24, 2013; dated Sep. 6, 2016.
Haden, Sally, "NonFinal OA", U.S. Appl. No. 13/276,232, filed Oct. 18, 2011; dated Aug. 11, 2016.
Haden, Sally, "Notice of Allowance", U.S. Appl. No. 13/925,617, filed Jun. 24, 2013; dated Sep. 12, 2017.
Haden, Sally C., "Final OA", U.S. Appl. No. 13/804,565, filed Mar. 14, 2013; dated May 19, 2016.
Haden, Sally C., "Final OA", U.S. Appl. No. 13/804,565, filed Mar. 14, 2013; dated May 8, 2017.
Haden, Sally C., "Final OA", U.S. Appl. No. 14/942,755, filed Nov. 16, 2015; dated Mar. 27, 2018.
Haden, Sally C., "Final Office Action", U.S. Appl. No. 13/276,232, filed Oct. 18, 2011; dated Jan. 13, 2017.
Haden, Sally C., "NonFinal OA", U.S. Appl. No. 14/679,628; filed Apr. 6, 2015; dated Sep. 5, 2017.
Haden, Sally Cline, "Final OA", U.S. Appl. No. 13/925,532, filed Jun. 24, 2013; dated Sep. 26, 2016.
Haden, Sally Cline, "NonFinal OA", U.S. Appl. No. 13/804,565, filed Mar. 14, 2013; dated Jan. 19, 2017.
Haden, Sally Cline, "NonFinal OA", U.S. Appl. No. 13/925,532, filed Jun. 24, 2013; dated Aug. 9, 2017.
Haden, Sally Cline, "NonFinal OA", U.S. Appl. No. 13/925,532, filed Jun. 24, 2013; dated May 23, 2016.
Haden, Sally Cline, "NonFinal OA", U.S. Appl. No. 13/925,598, filed Jun. 2013; dated May 24, 2016.
Haden, Sally Cline, "NonFinal OA", U.S. Appl. No. 14/942,755, filed Nov. 16, 2015; dated Sep. 8, 2017.

McVey, Lauren, "NonFinal OA", U.S. Appl. No. 29/545,802, filed Nov. 16, 2015; dated Jun. 1, 2017.
McVey, Lauren, "NonFinal OA", U.S. Appl. No. 29/545,805, filed Nov. 16, 2015; dated Jun. 2, 2017.
McVey, Lauren, "NonFinal OA", U.S. Appl. No. 29/545,806, filed Nov. 16, 2015; dated Jun. 1, 2017.
McVey, Lauren, "Notice of Allowance", U.S. Appl. No. 29/459,047, filed Jun. 2013; dated Aug. 10, 2016.
McVey, Lauren, "Notice of Allowance", U.S. Appl. No. 29/459,047, filed Jun. 25, 2013; dated Oct. 19, 2016.
McVey, Lauren, "Notice of Allowance", U.S. Appl. No. 29/467,616, filed Sep. 20, 2013; dated Aug. 10, 2016.
McVey, Lauren, "Notice of Allowance", U.S. Appl. No. 29/467,621, filed Sep. 20, 2013; dated Oct. 20, 2016.
McVey, Lauren, "Notice of Allowance", U.S. Appl. No. 29/467,623, filed Sep. 20, 2013; dated Aug. 30, 2016.
Walshon, Rashida, "Final OA", U.S. Appl. No. 29/506,290, filed Oct. 14, 2014; dated Jul. 28, 2016.
Walshon, Rashida, "NonFinal OA", U.S. Appl. No. 29/591,354, filed Jan. 19, 2017; dated Oct. 4, 2017.
Wright, Jennifer, "NonFinal OA", U.S. Appl. No. 29/506,294, filed Oct. 14, 2014; dated Sep. 23, 2016.
Haden, Sally, "Appeal Decision", U.S. Appl. No. 13/276,232, filed Oct. 18, 2011; dated Sep. 17, 2018.
Haden, Sally, "Appeal Decision", U.S. Appl. No. 13/925,598, filed Jun. 24, 2013; dated Sep. 7, 2018.
Haden, Sally, "Final OA", U.S. Appl. No. 13/925,617, filed Jun. 24, 2013; dated Oct. 25, 2018.
Haden, Sally C., "Final OA", U.S. Appl. No. 14/679,628, filed Apr. 6, 2015; dated Oct. 25, 2018.

* cited by examiner

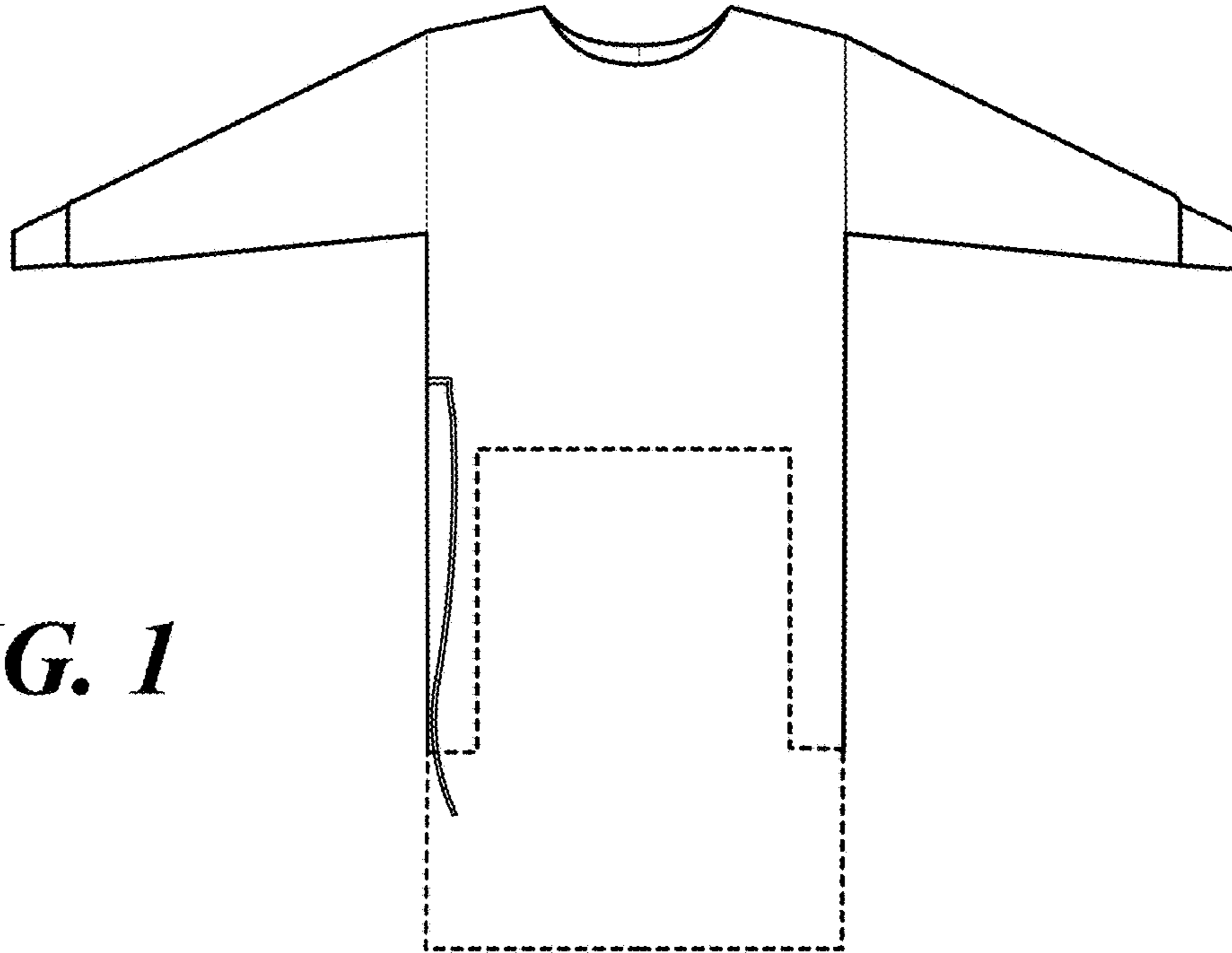


FIG. 1

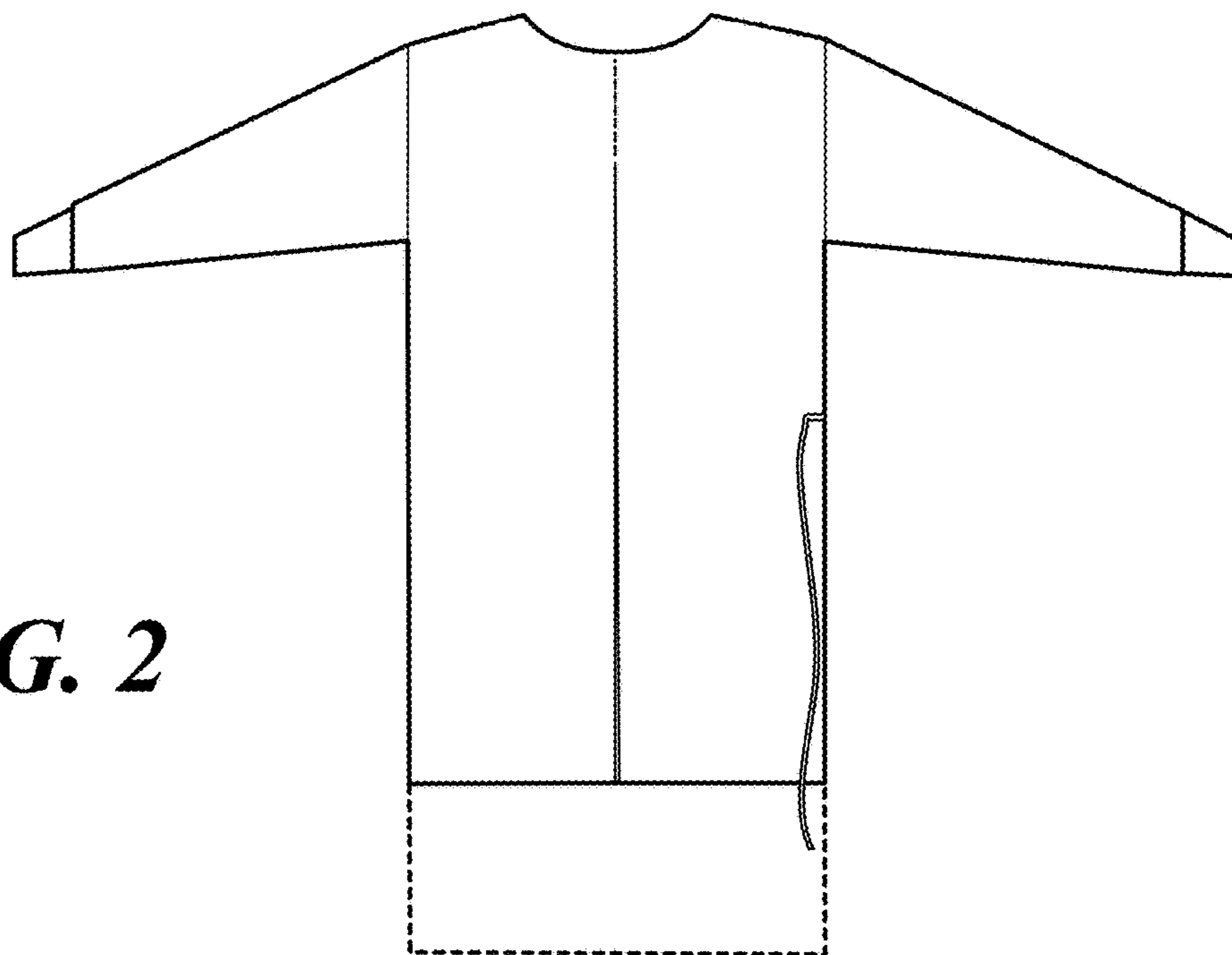


FIG. 2

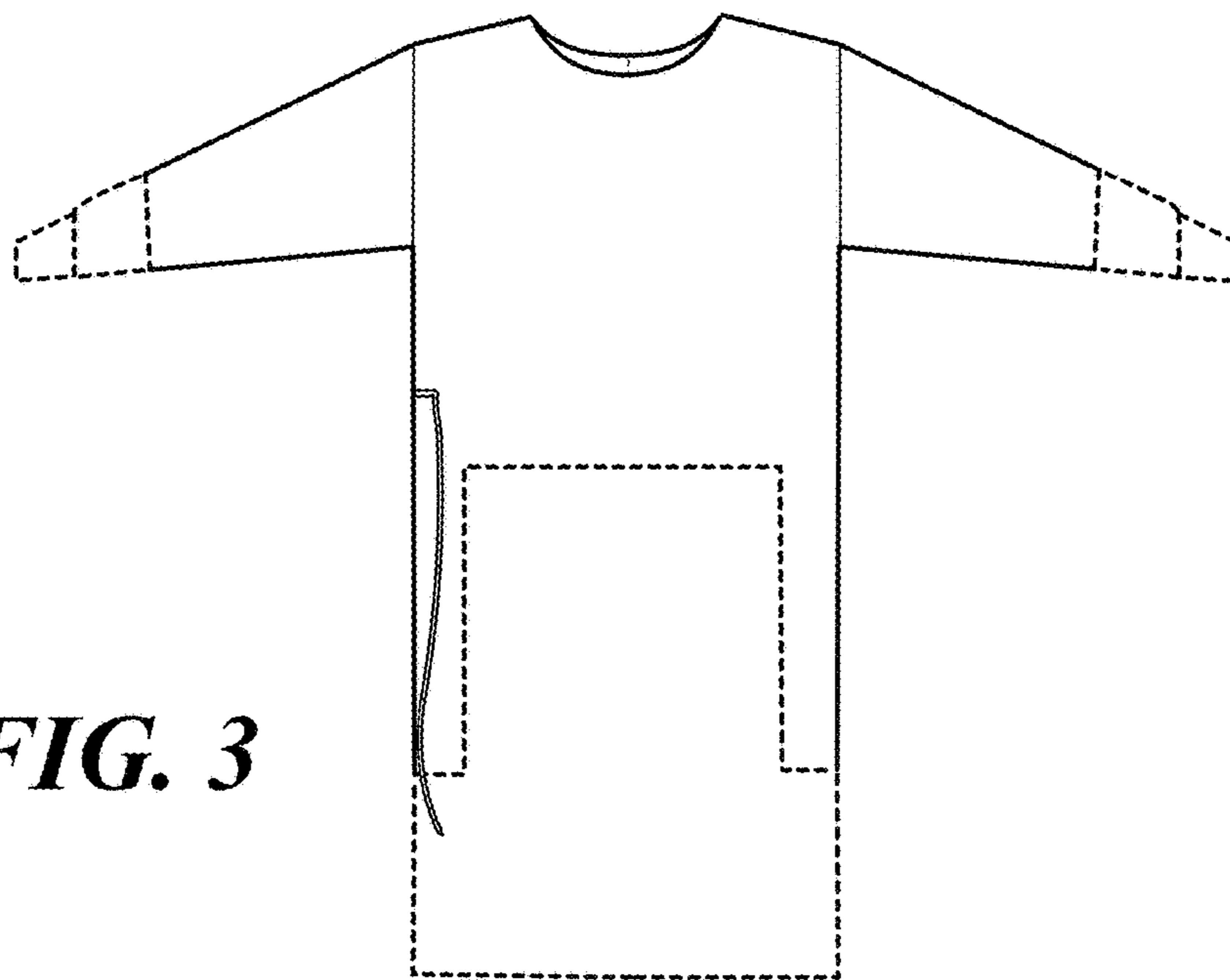


FIG. 3

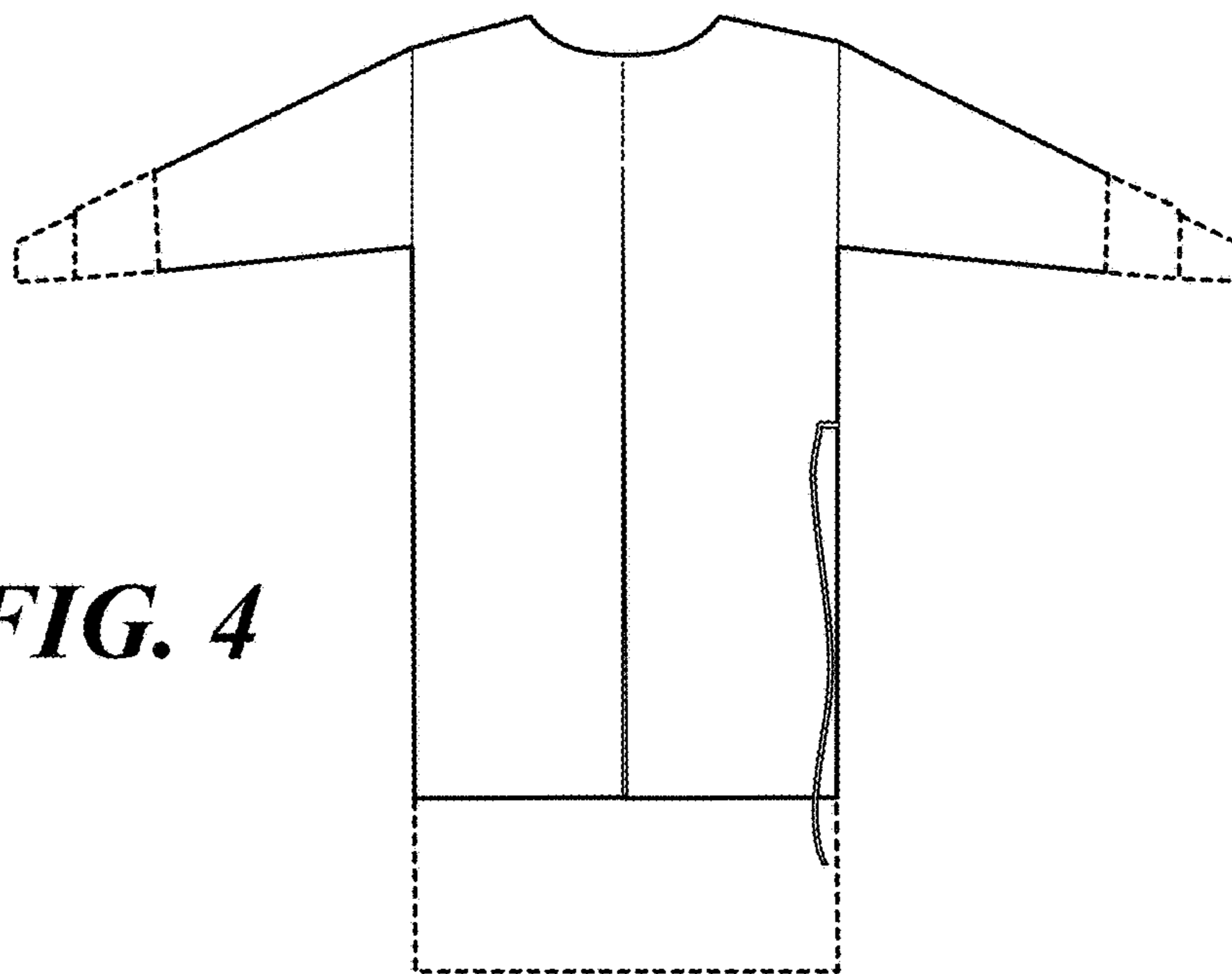


FIG. 4