



US00D836280S

(12) **United States Design Patent** (10) **Patent No.:** **US D836,280 S**
Lesina (45) **Date of Patent:** **** Dec. 25, 2018**

(54) **CONFECTIONERY PRODUCT**
(71) Applicant: **Italgelatine S.p.A.**, Santa Vittoria d'Alba (IT)
(72) Inventor: **Sandra Lesina**, Alba (IT)
(73) Assignee: **ITALGELATINE S.P.A.**, Santa Vittoria d'Alba (IT)

D416,121 S * 11/1999 Yang D1/106
D422,395 S * 4/2000 Robles 426/104
D459,052 S * 6/2002 Keller D1/115
D477,924 S * 8/2003 Say D6/358
D527,115 S * 8/2006 Ellsley D25/135
7,118,788 B1 * 10/2006 Turner A41G 1/00
428/17
D562,725 S * 2/2008 Keller D11/117
D601,294 S * 9/2009 Leon D26/94

(**) Term: **15 Years**
(21) Appl. No.: **29/542,950**
(22) Filed: **Oct. 19, 2015**
(51) **LOC (11) Cl.** **01-01**
(52) **U.S. Cl.**
USPC **D1/106; D1/109**
(58) **Field of Classification Search**
USPC D1/100-130, 199; 426/104, 108, 138,
426/391, 549, 808, 94, 143, 559, 560;
D11/12, 24, 40, 43, 79, 86, 95;
D24/101-104; 446/118, 128; D32/40;
D9/707, 756; D30/160
CPC A23G 3/50; A23G 3/54; A23J 3/26; A23L
1/0067
See application file for complete search history.

OTHER PUBLICATIONS

U.S. Appl. No. 29/543,058, filed Oct. 20, 2015, entitled Confectionery Products.
Election of Species dated Sep. 17, 2018 in U.S. Appl. No. 29/543,058.

* cited by examiner

Primary Examiner — Katie Jane Stofko
(74) *Attorney, Agent, or Firm* — Nixon & Vanderhye P.C.

(57) **CLAIM**

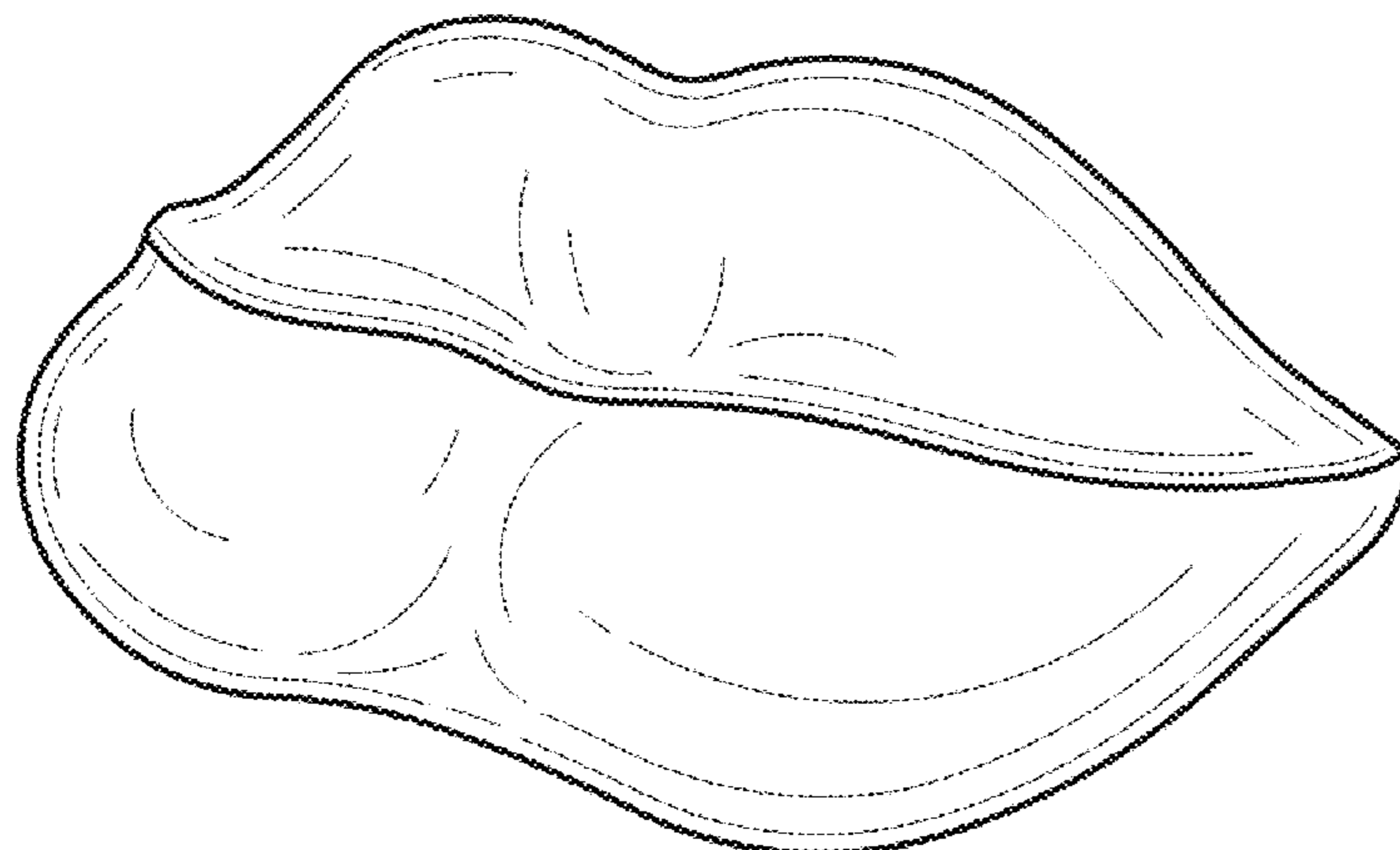
The ornamental design for a confectionery product, as shown and described.

DESCRIPTION

FIG. 1 is a front perspective view of a confectionery product;
FIG. 2 is a front elevation view of the confectionery product of FIG. 1;
FIG. 3 is a rear elevation view of the confectionery product of FIG. 1;
FIG. 4 is a left side view of the confectionery product of FIG. 1, the right side view being a mirror image thereof;
FIG. 5 is a top plan view of the confectionery product of FIG. 1; and,
FIG. 6 is a bottom plan view of the confectionery product of FIG. 1.

(56) **References Cited**
U.S. PATENT DOCUMENTS
691,635 A * 1/1902 Kennedy E04C 5/161
52/301
832,467 A * 10/1906 Ferg E04C 5/161
52/301
D282,464 S * 2/1986 Rivette D14/143
5,213,855 A * 5/1993 Buxton A41G 1/00
156/61
D347,307 S * 5/1994 Yang D1/106
D395,150 S * 6/1998 Yang D1/106
D403,136 S * 12/1998 Robles D1/106

1 Claim, 2 Drawing Sheets



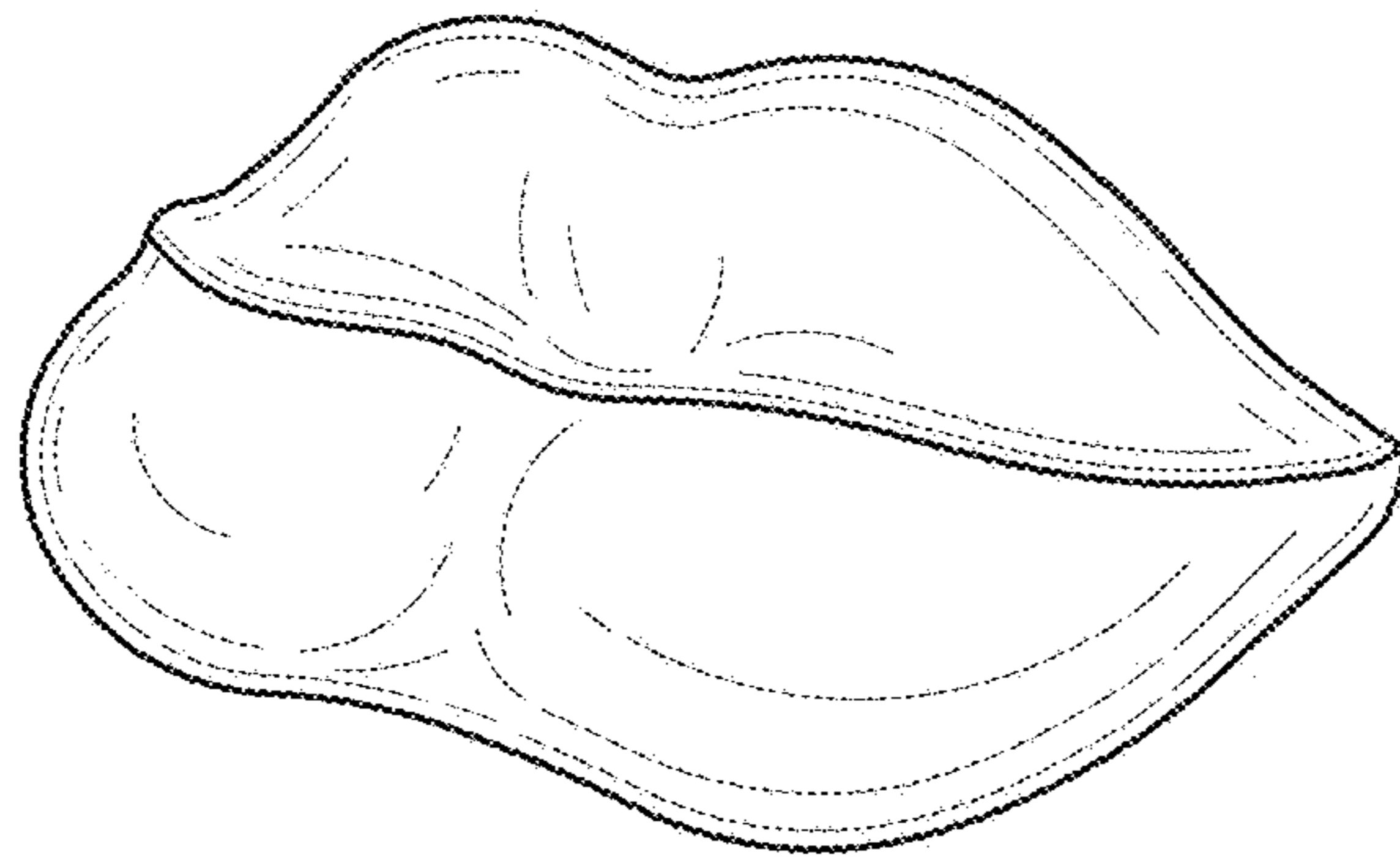


FIG. 1

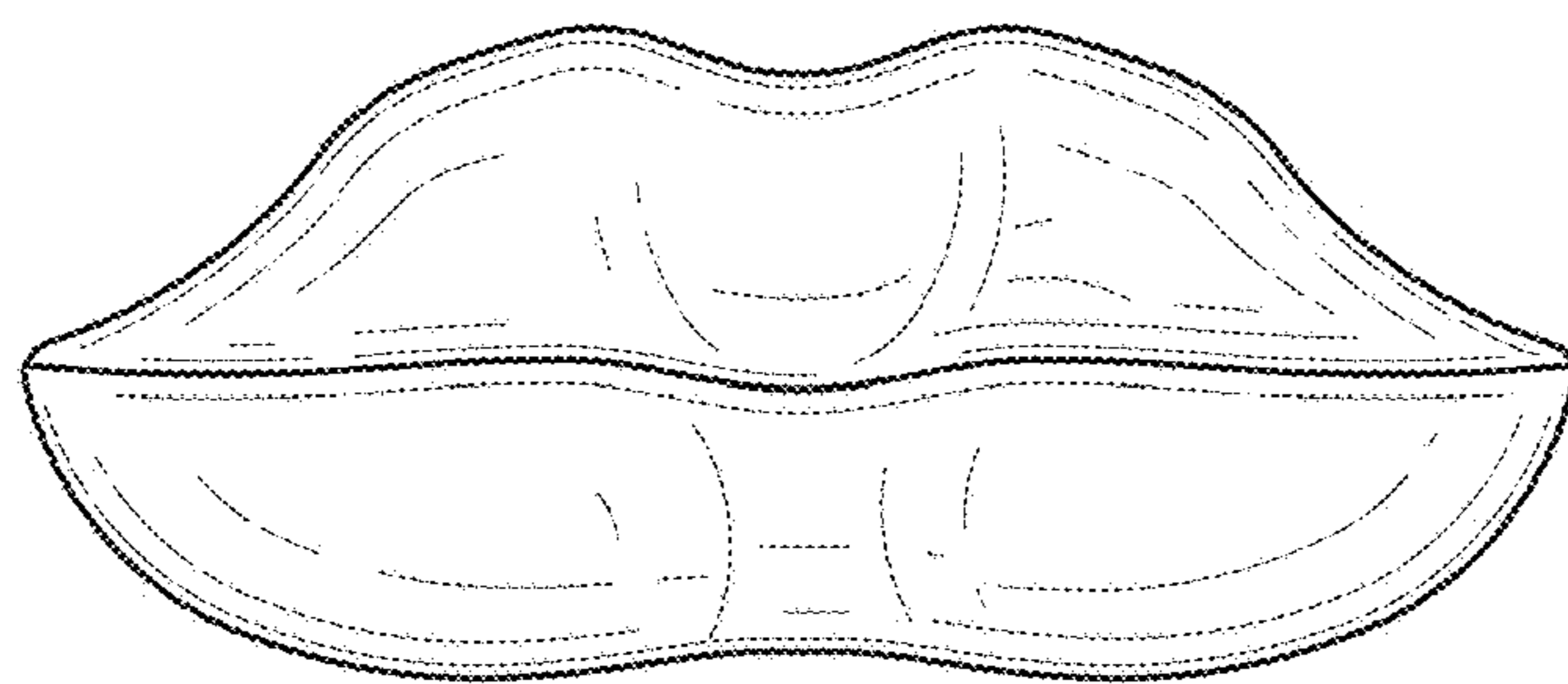


FIG. 2

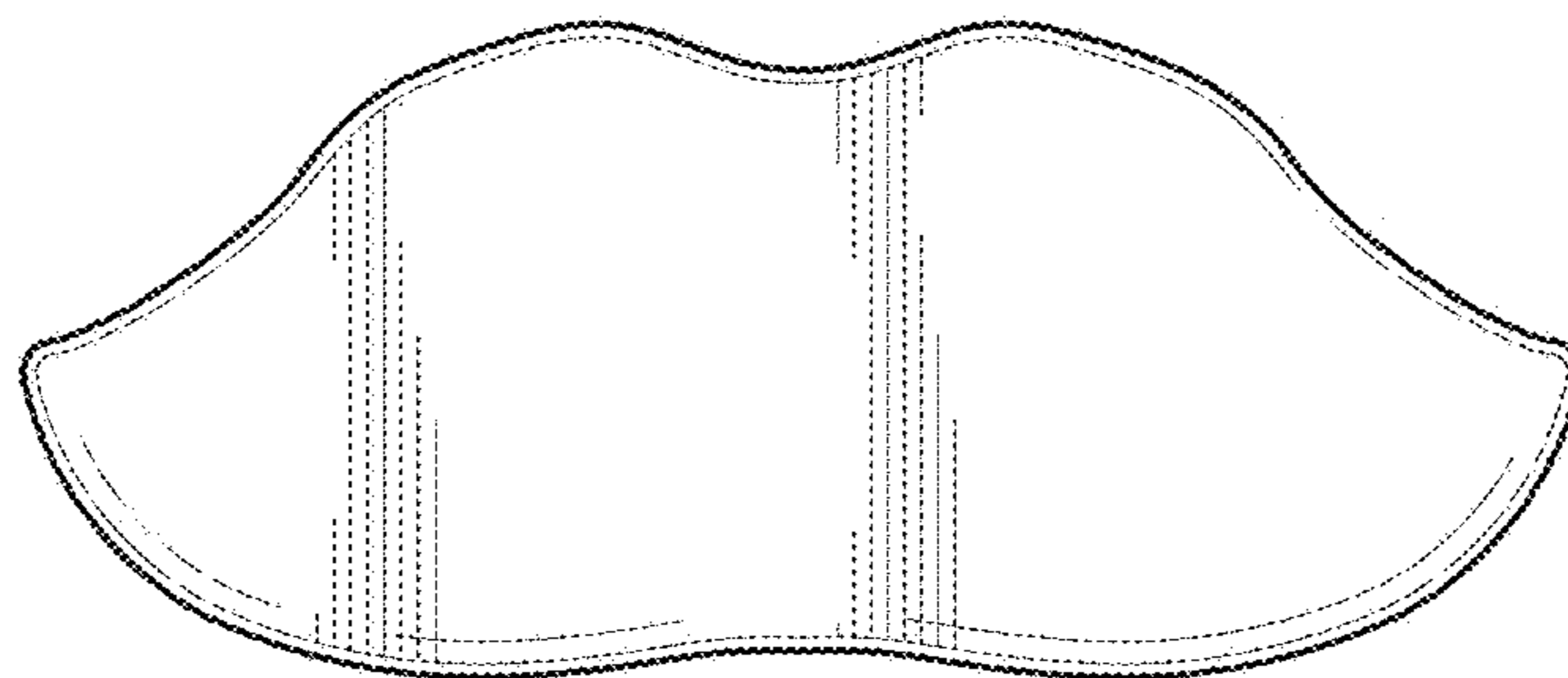


FIG. 3

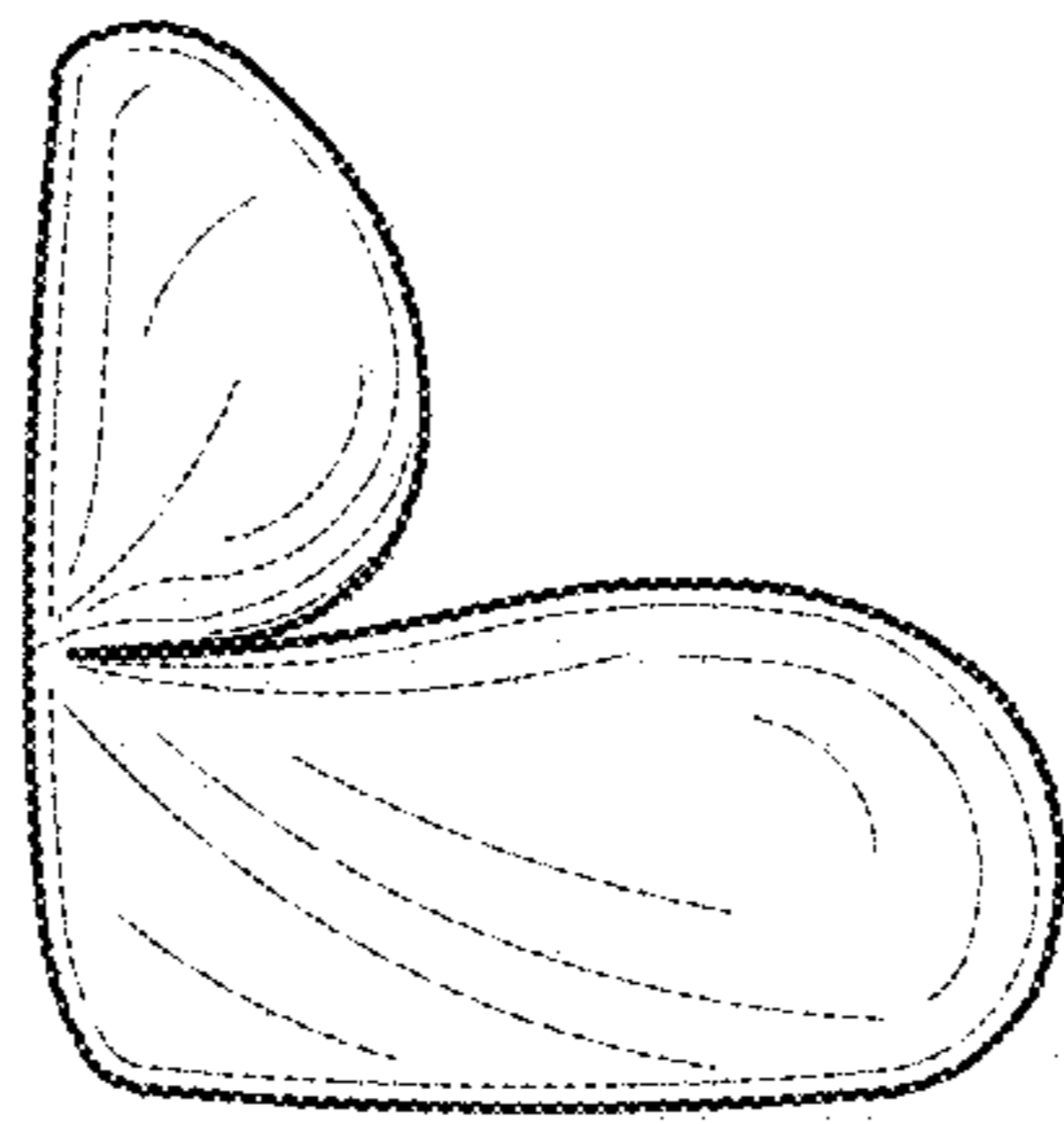


FIG. 4

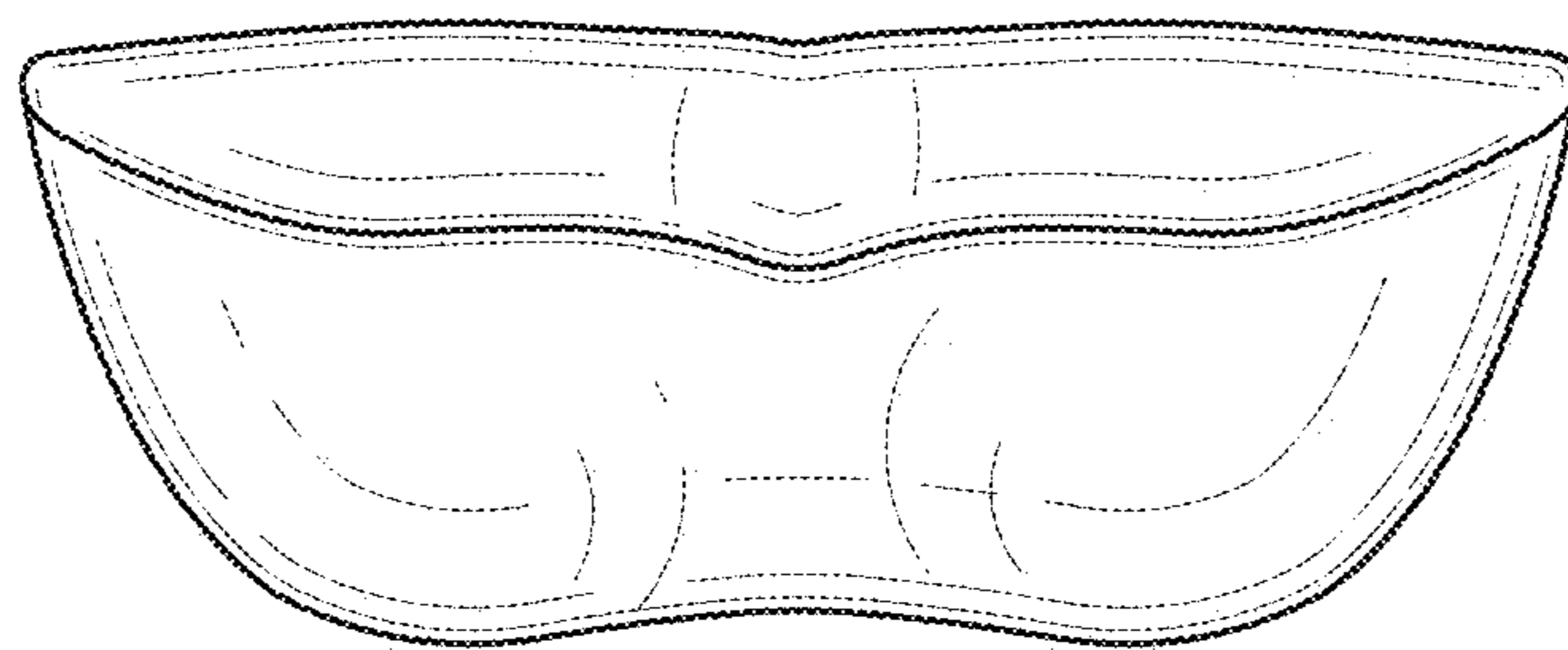


FIG. 5

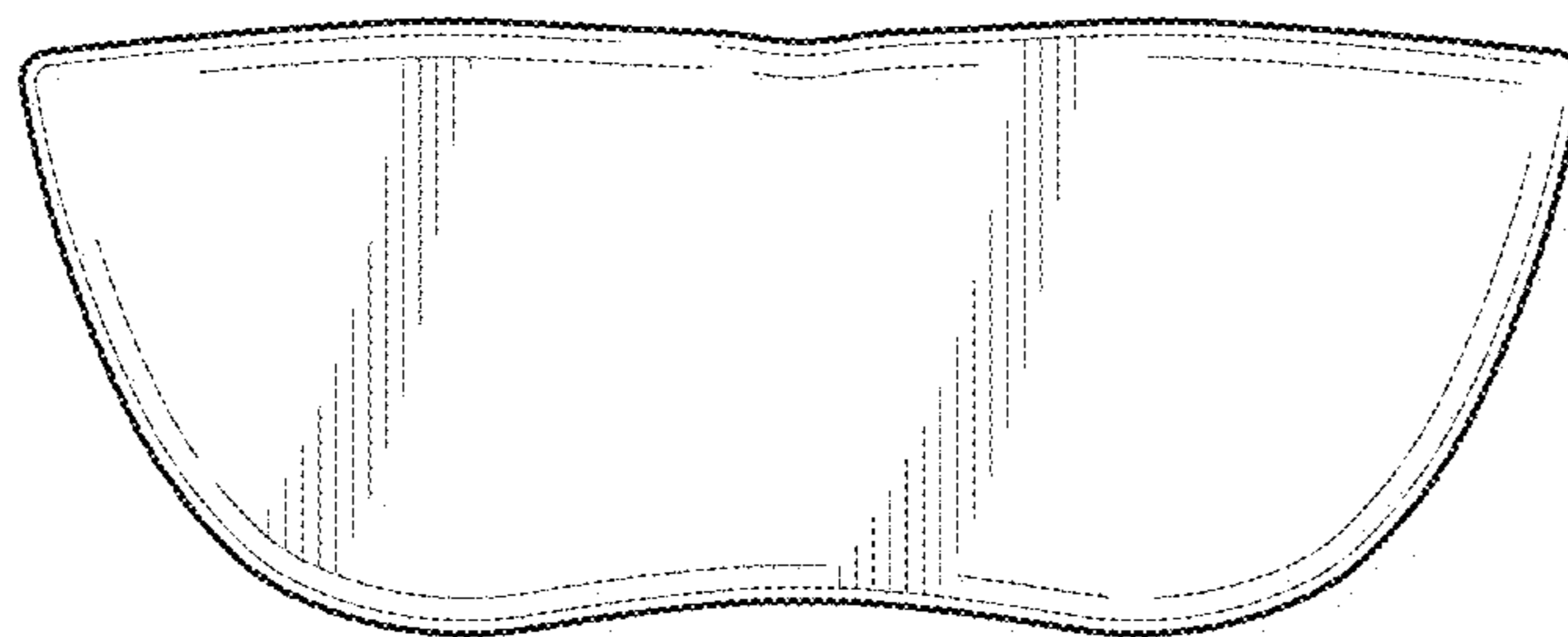


FIG. 6