



US00D836277S

(12) **United States Design Patent**
Re

(10) **Patent No.:** **US D836,277 S**

(45) **Date of Patent:** **** Dec. 18, 2018**

(54) **DUSTPAN**

(71) Applicant: **FRATELLI RE, S.p.A.**, Rho (MI) (IT)

(72) Inventor: **Marco Re**, Rho (IT)

(73) Assignee: **FRATELLI RE, S.P.A.**, Rho (MI) (IT)

(**) Term: **15 Years**

(21) Appl. No.: **29/642,367**

(22) Filed: **Mar. 29, 2018**

(30) **Foreign Application Priority Data**

Feb. 10, 2017 (EM) 004382653

(51) **LOC (11) Cl.** **07-05**

(52) **U.S. Cl.**
USPC **D32/74**

(58) **Field of Classification Search**
USPC D32/74, 41; D30/162; D7/691, 688;
D4/116; 15/257.5, 257.3, 257.2, 257.1;
134/6
CPC A47L 13/52; A47L 13/51; A46B 15/00;
A46B 15/0097; A46B 15/0095; A46B
17/04; A46B 5/00; A46B 2200/302
See application file for complete search history.

(56) **References Cited**

U.S. PATENT DOCUMENTS

D194,217 S * 12/1962 Bloch 15/257.1
D306,367 S * 2/1990 Vetter D32/74
D367,745 S * 3/1996 Feldman 15/257.1
D427,739 S * 7/2000 Demore D32/74
D466,262 S * 11/2002 Chemtob D32/74
D468,106 S * 1/2003 Robertson D32/74
D470,289 S * 2/2003 Petner D32/74

D475,828 S * 6/2003 Libman D32/74
D508,760 S * 8/2005 Berti D32/74
D510,165 S * 9/2005 Berti D32/74
D525,004 S * 7/2006 Berti D32/74
D586,970 S * 2/2009 Berti D32/74
D599,072 S * 8/2009 Meyer D32/74
D630,401 S * 1/2011 Libman D32/74
D633,267 S * 2/2011 Caleca D32/74
D667,191 S * 9/2012 Libman D32/74
D667,192 S * 9/2012 Libman D32/74
D687,204 S * 7/2013 Vasilakes D32/74
D711,609 S * 8/2014 Libman D32/74
D720,910 S * 1/2015 Seifts D32/74
D721,463 S * 1/2015 Kandasamy D32/74
D734,911 S * 7/2015 Williams D32/74
D819,913 S * 6/2018 Beyda D32/74

* cited by examiner

Primary Examiner — Austin Murphy

(74) *Attorney, Agent, or Firm* — King & Schickli, PLLC

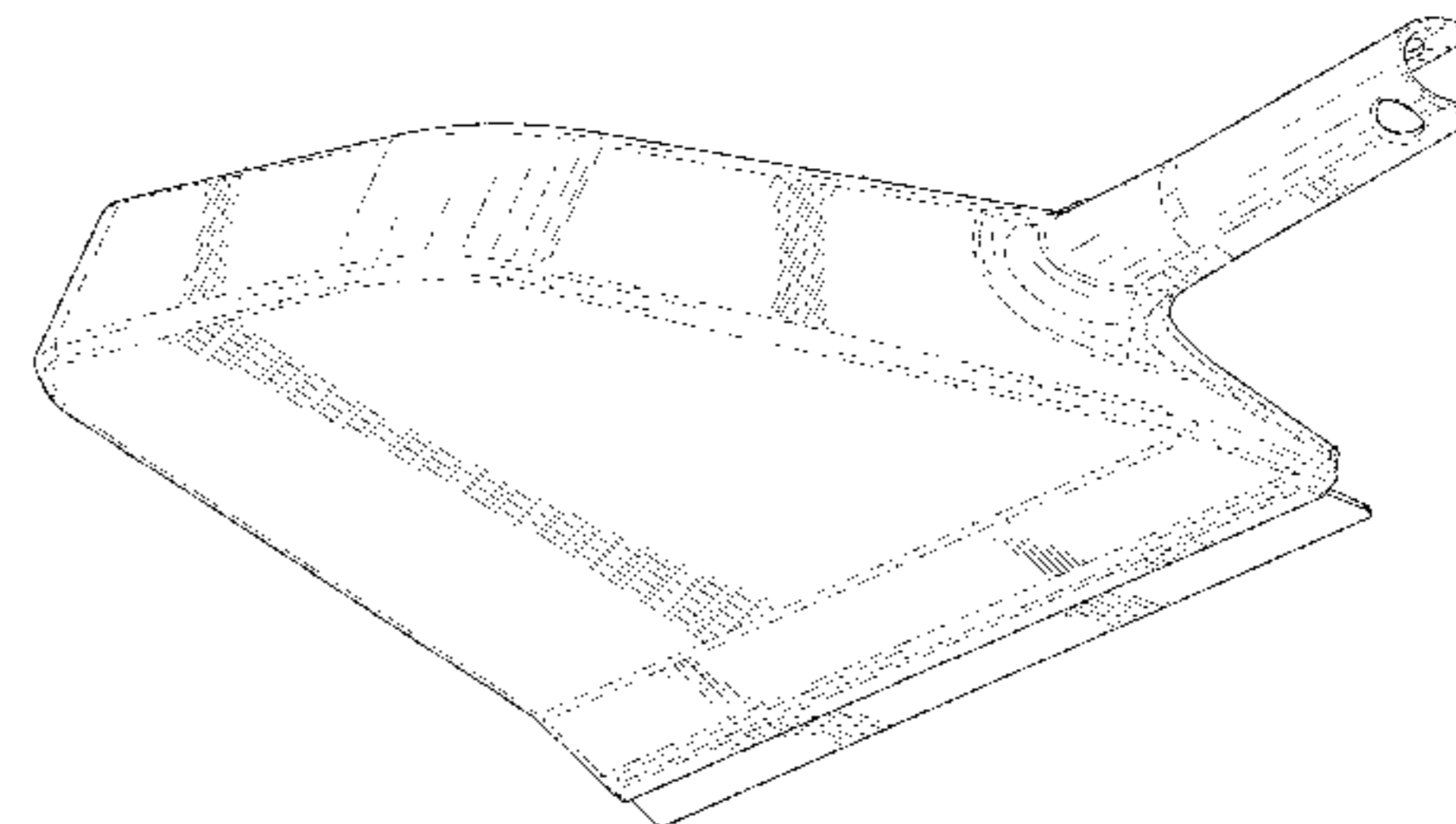
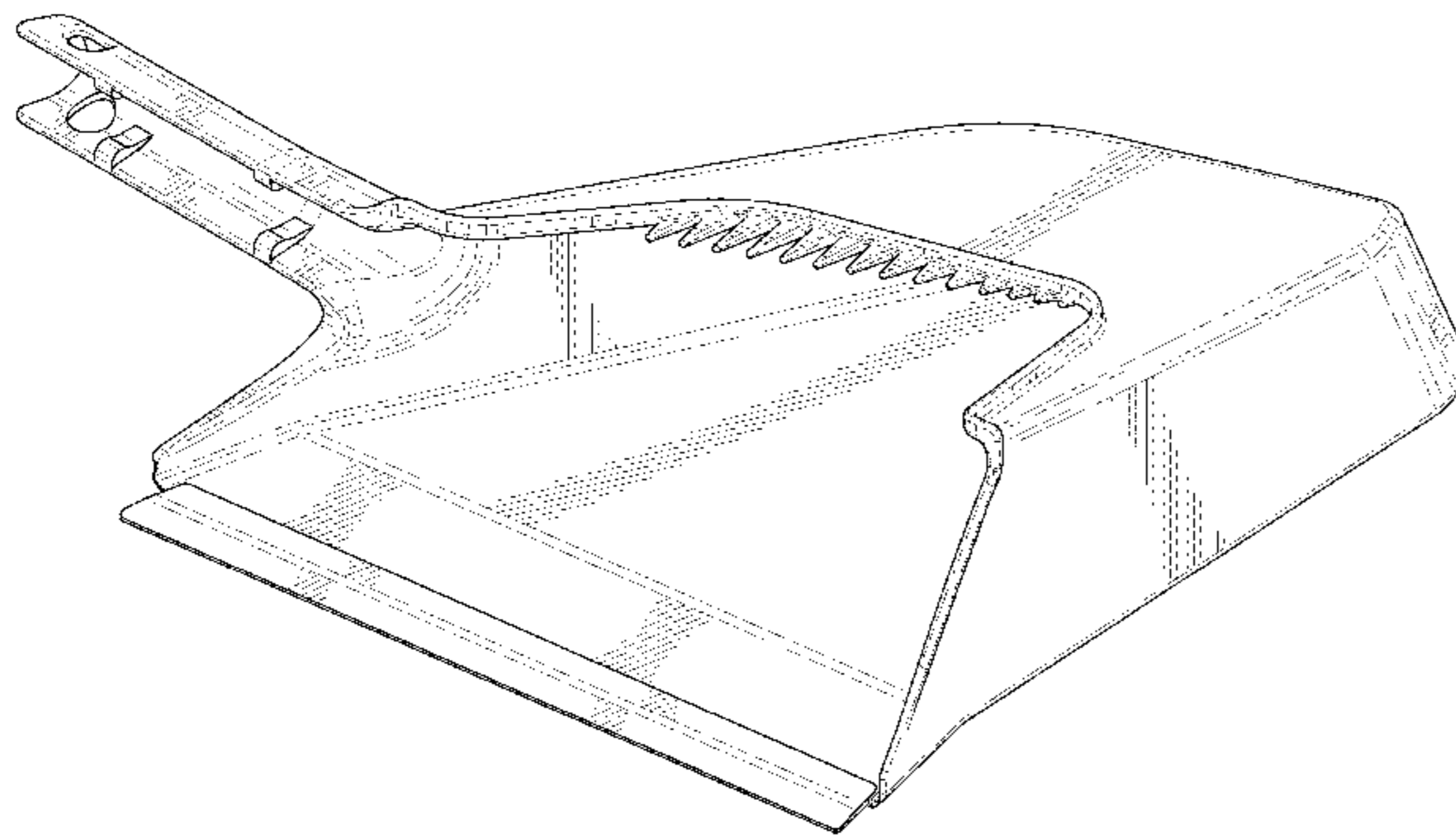
(57) **CLAIM**

The ornamental design for a dustpan, as shown and described.

DESCRIPTION

FIG. 1 is a front perspective view of my new design;
FIG. 2 is a bottom perspective view thereof;
FIG. 3 is a front view thereof;
FIG. 4 is a left side view thereof;
FIG. 5 is a rear view thereof;
FIG. 6 is a right side view thereof;
FIG. 7 is a top view thereof;
FIG. 8 is a bottom view thereof;
FIG. 9 is a cross-sectional view taken along line 9-9 of FIG. 3; and,
FIG. 10 is a cross-sectional view taken along line 10-10 of FIG. 3.

1 Claim, 9 Drawing Sheets



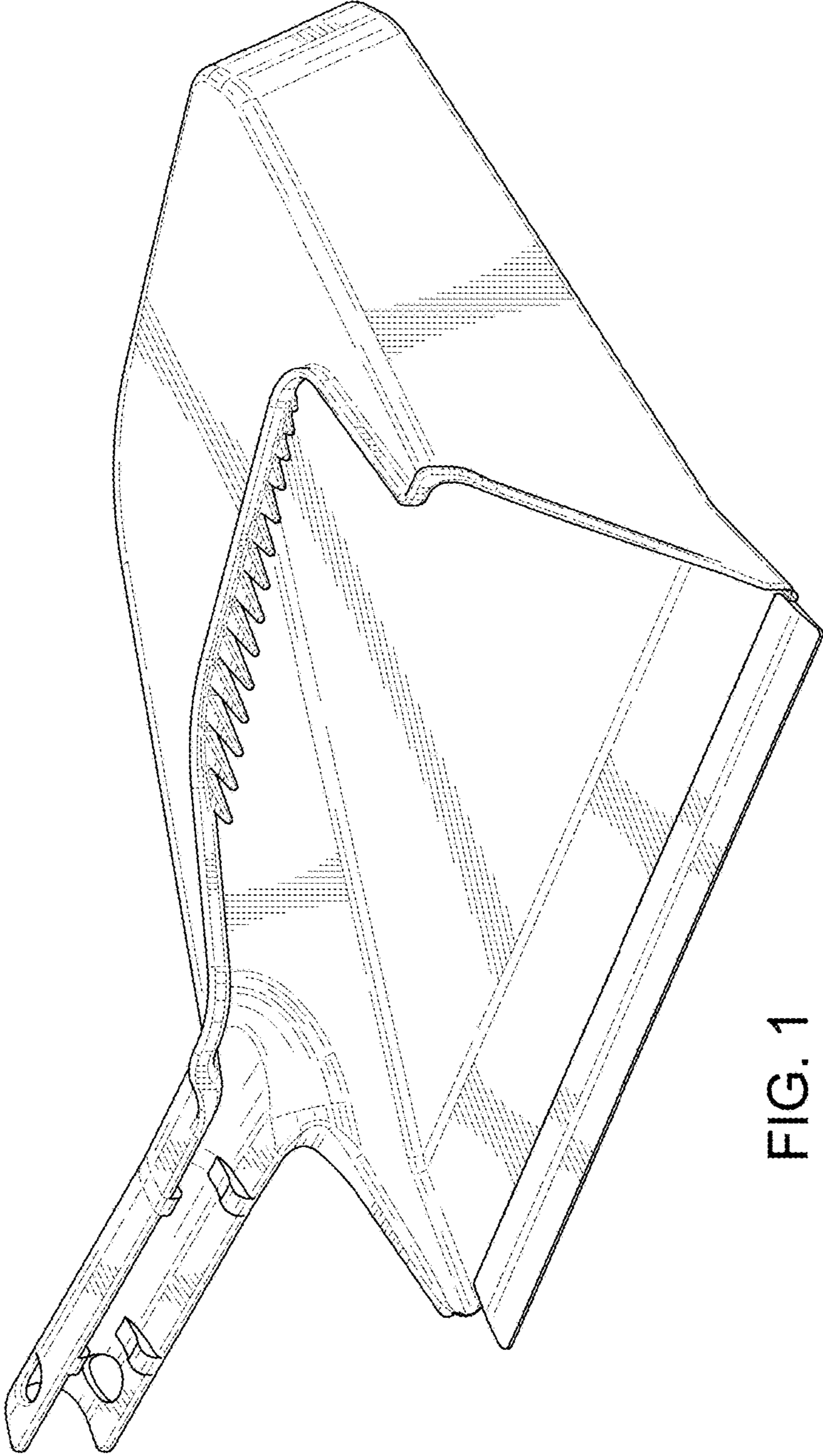


FIG. 1

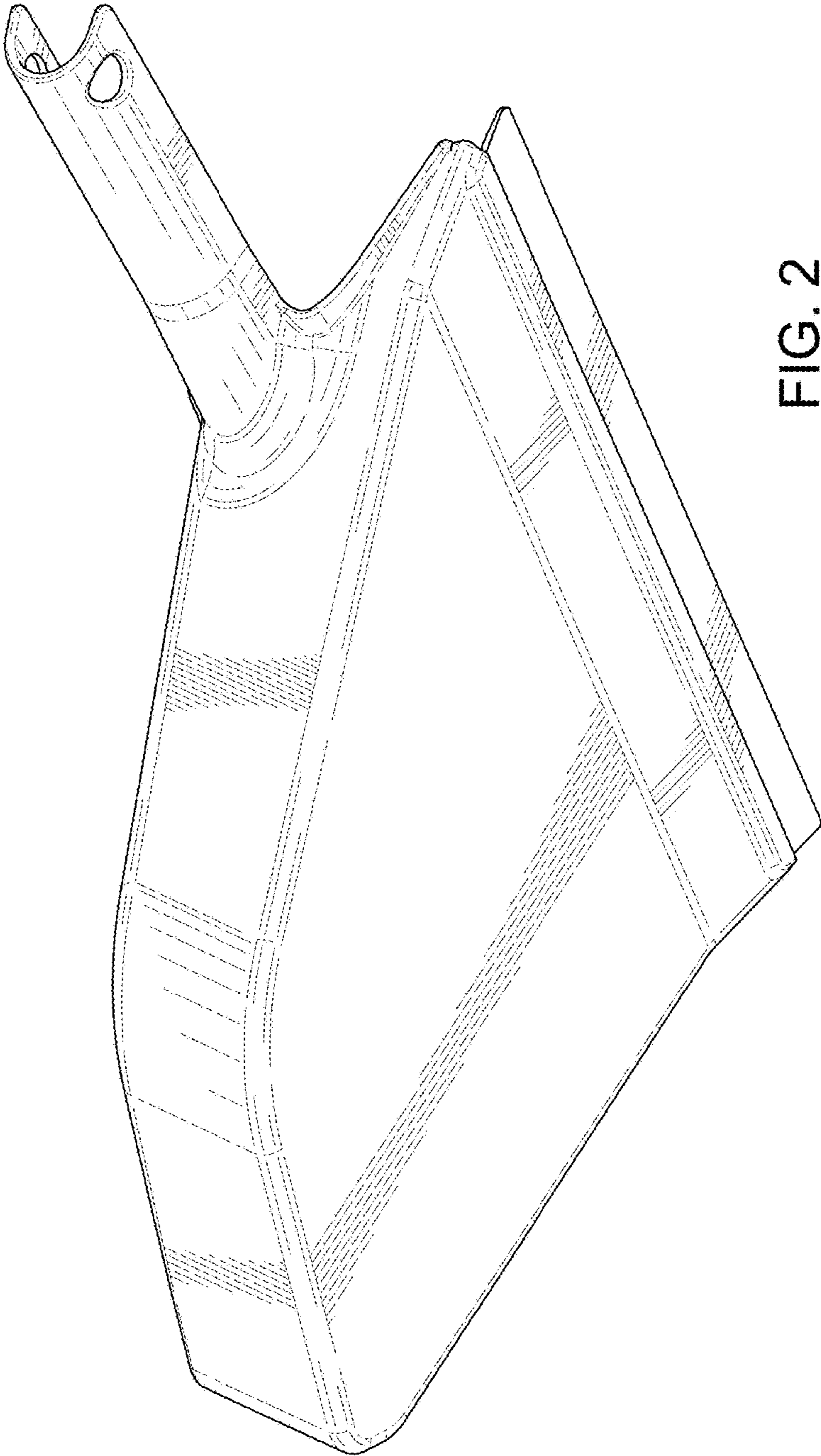


FIG. 2

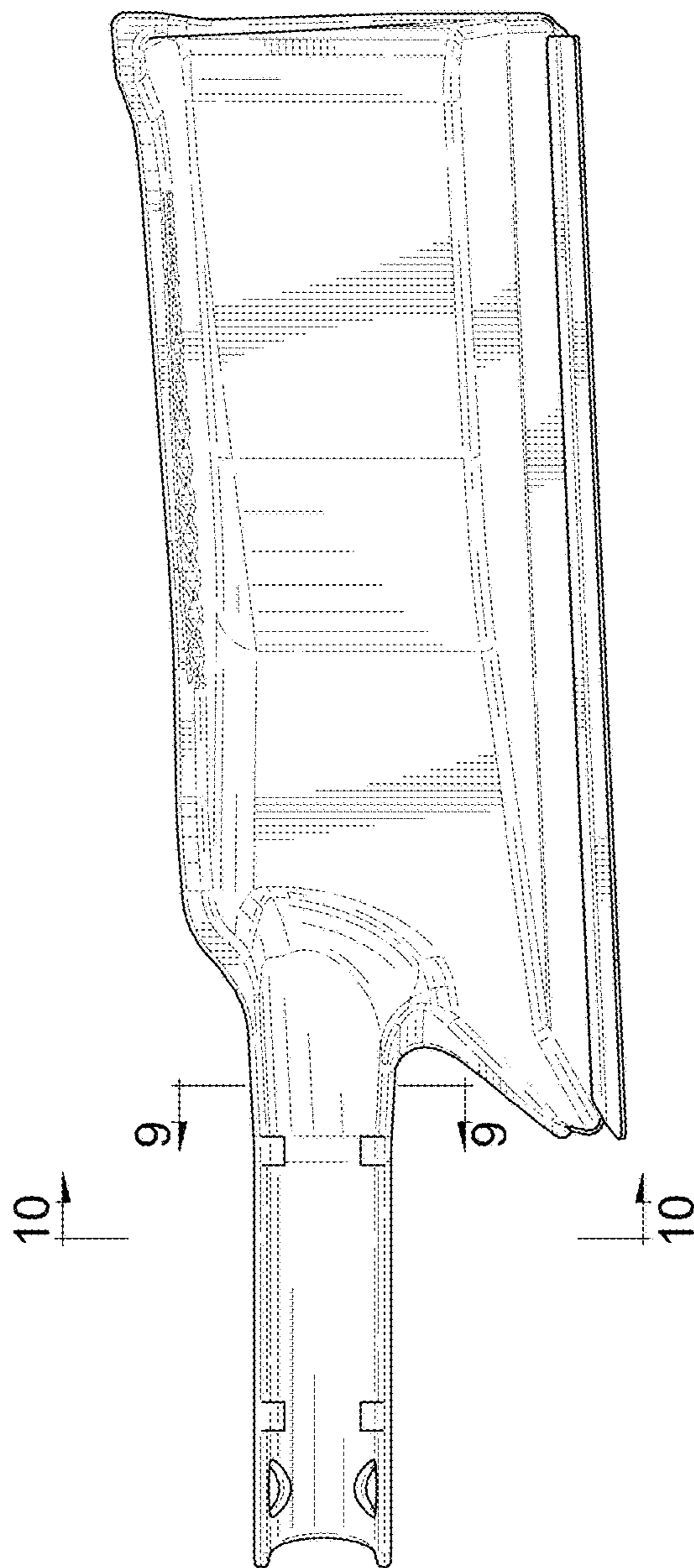


FIG. 3

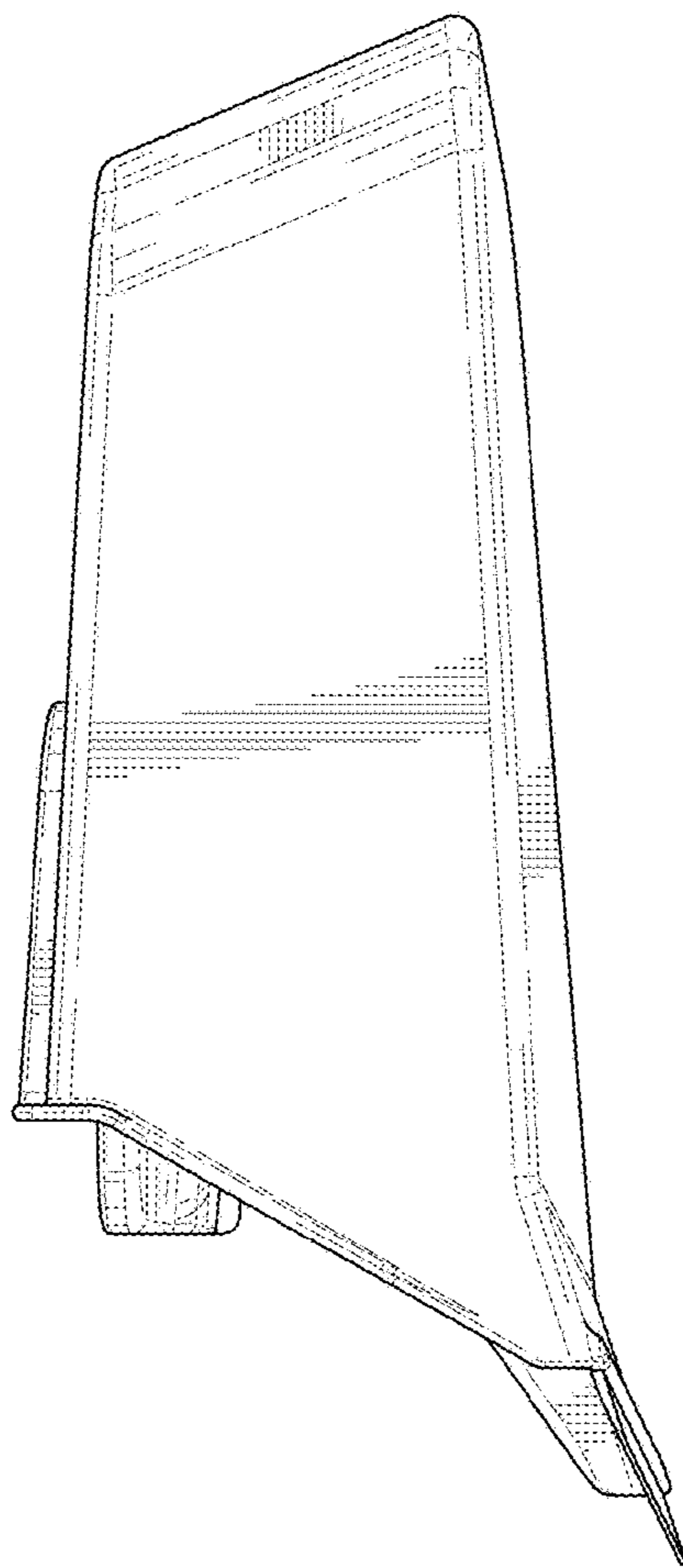


FIG. 4

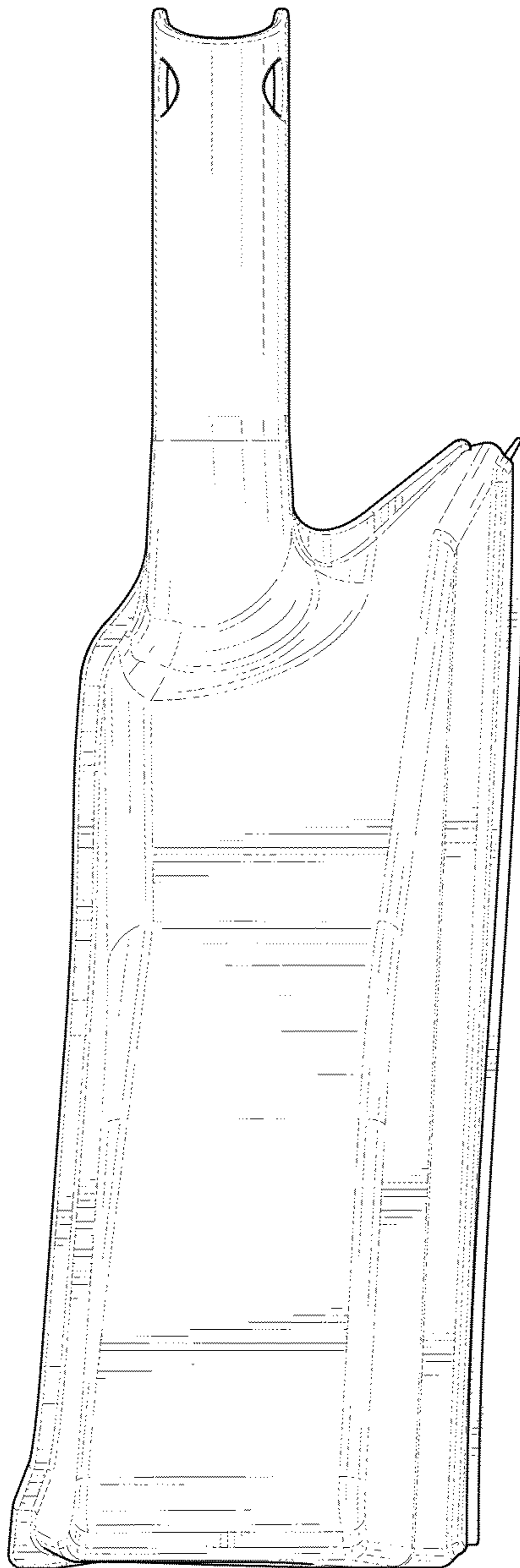


FIG. 5

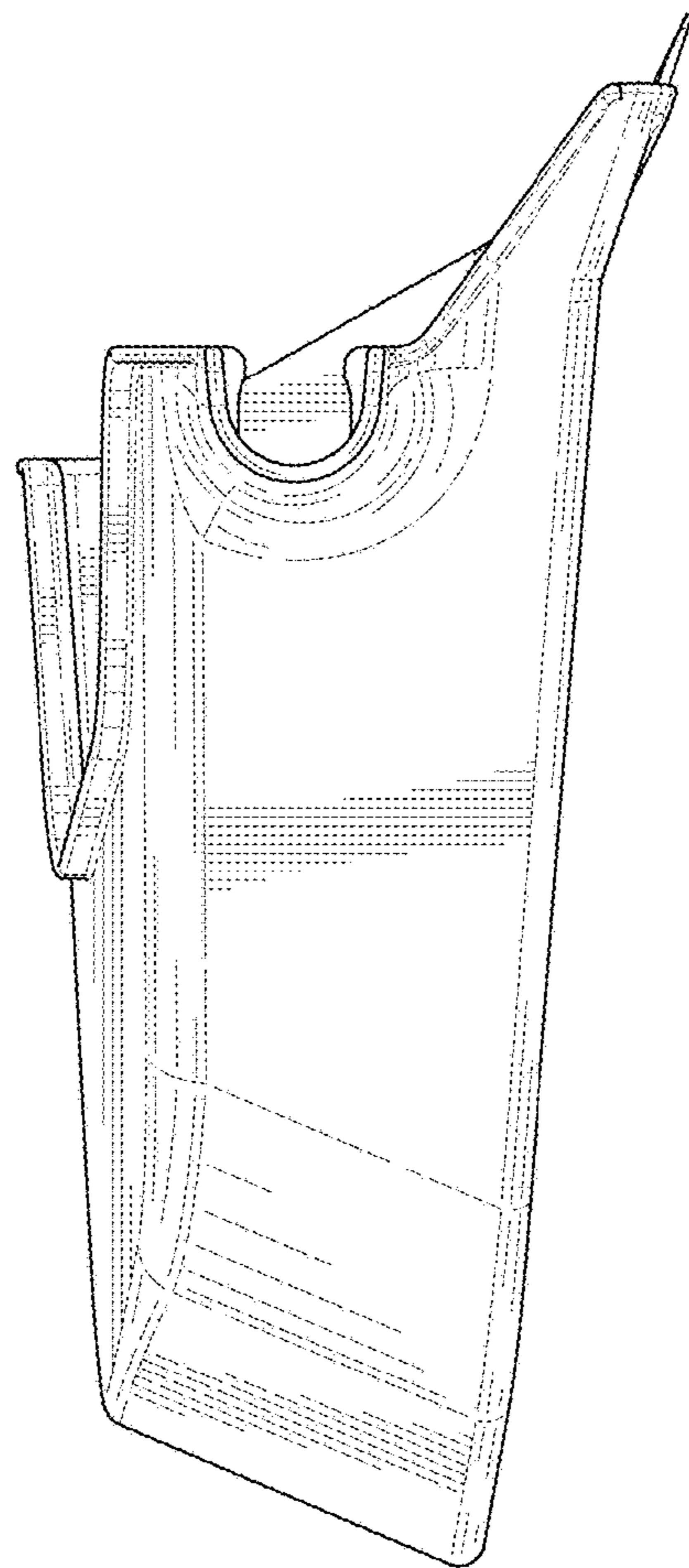


FIG. 6

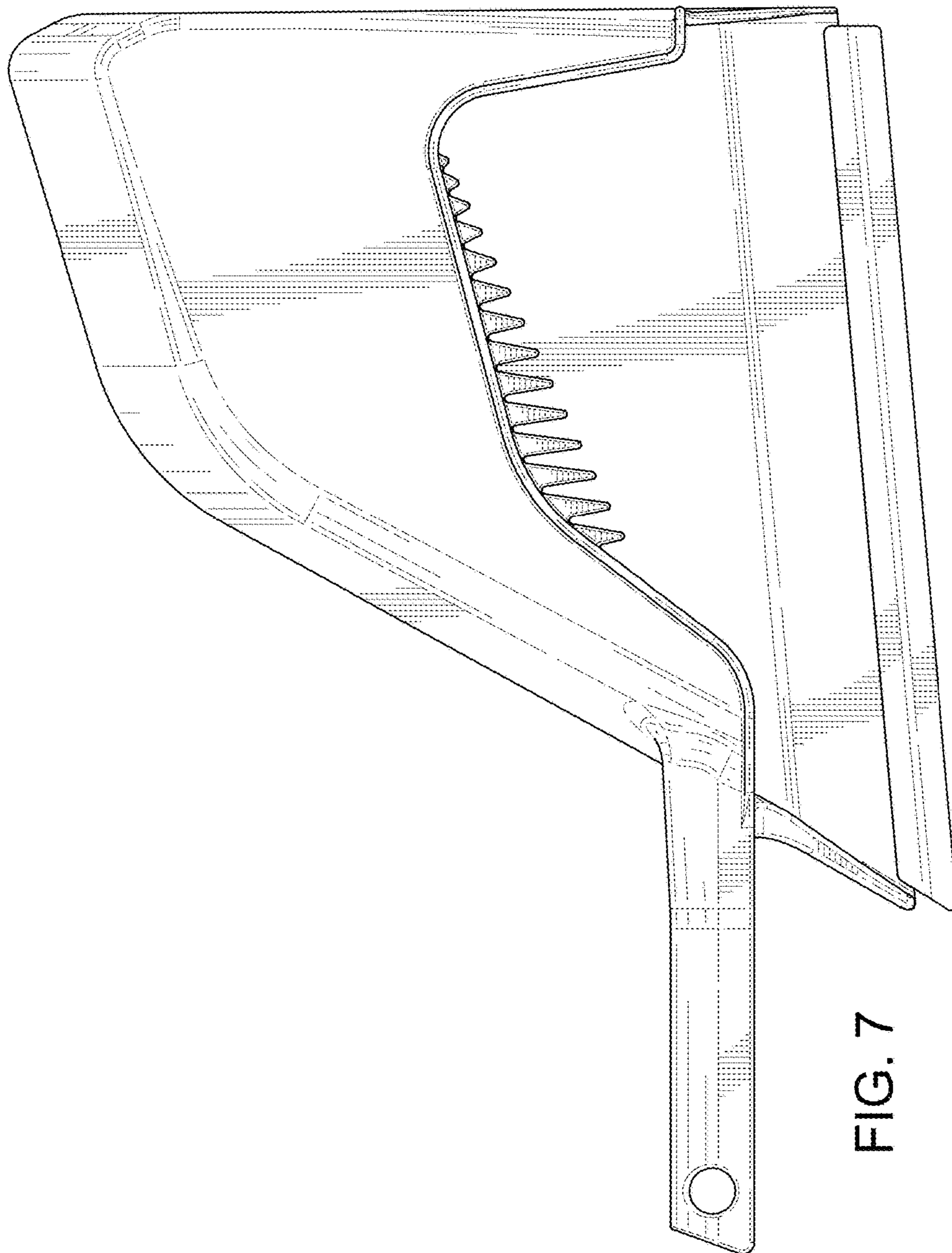


FIG. 7



FIG. 8

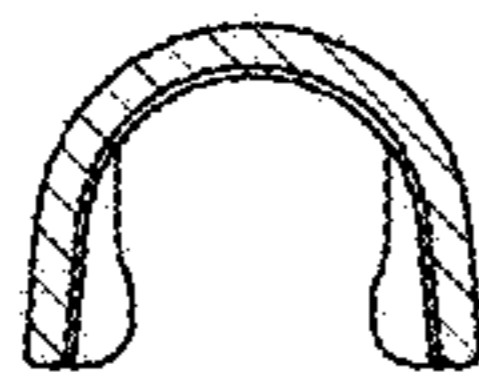


FIG. 9

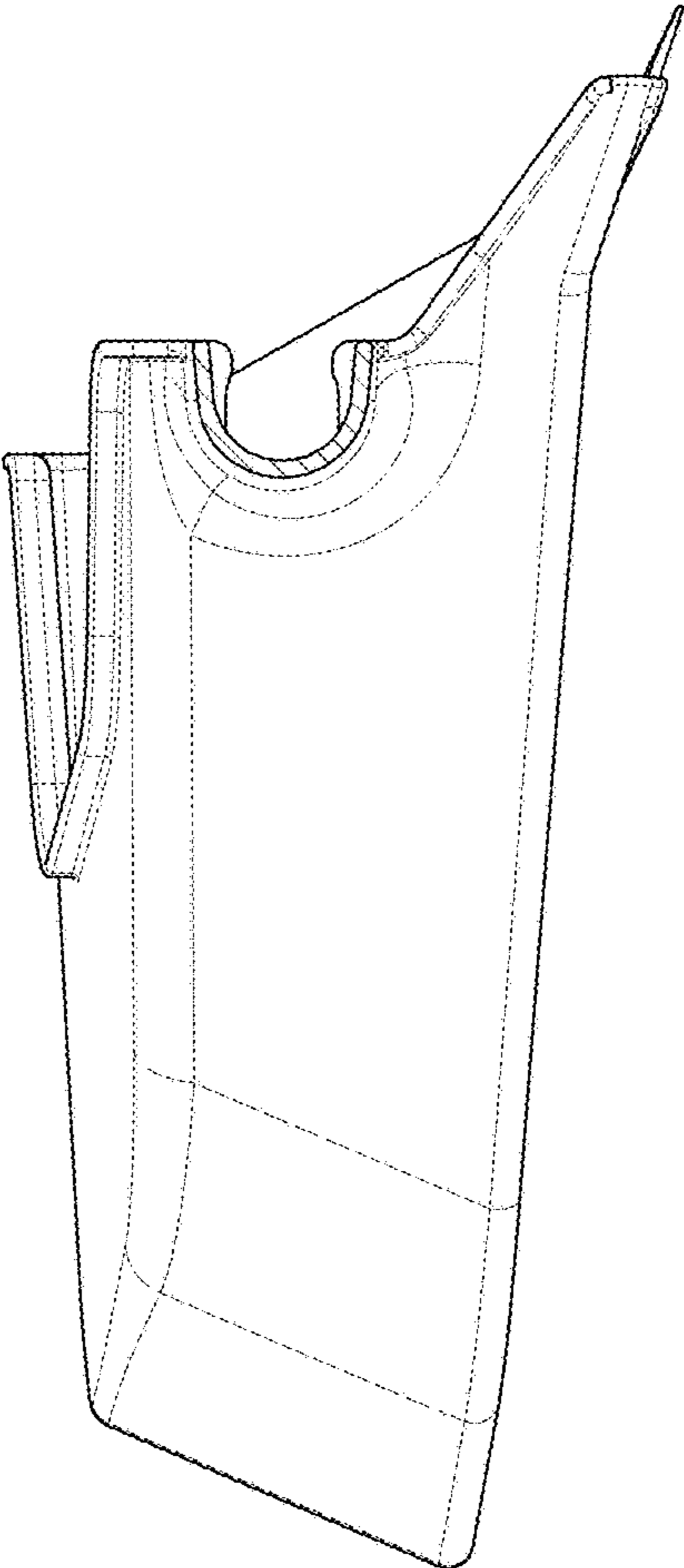


FIG. 10