

US00D836276S

(12) **United States Design Patent**
Pellegrino

(10) **Patent No.:** **US D836,276 S**

(45) **Date of Patent:** **** Dec. 18, 2018**

(54) **TILE AND GROUT CLEANING PAD**

(71) Applicant: **Leonard Pellegrino**, San Diego, CA
(US)

(72) Inventor: **Leonard Pellegrino**, San Diego, CA
(US)

(**) Term: **15 Years**

(21) Appl. No.: **29/582,099**

(22) Filed: **Oct. 25, 2016**

(51) **LOC (11) Cl.** **07-05**

(52) **U.S. Cl.**
USPC **D32/40**

(58) **Field of Classification Search**
USPC D32/40-45, 49-52, 21-25; D4/116, 118,
D4/137; D8/107, 10-11
CPC A47L 13/16-13/20; A47L 11/38; A47L
11/00; A01K 61/00; B25G 1/00; B25G
1/04; B25B 23/16; A46B 7/04; A46B
11/06; A46B 13/02; A46B 7/00; A46B
5/00; A46B 13/00

See application file for complete search history.

(56) **References Cited**

U.S. PATENT DOCUMENTS

- 62,347 A * 2/1867 Link A47L 13/20
15/229.1
- 4,053,053 A * 10/1977 Tumangday A61F 13/0203
206/229
- 4,140,409 A * 2/1979 DeVries A45D 34/04
401/132
- 4,148,953 A * 4/1979 Horton D04H 11/00
428/85
- D272,091 S * 1/1984 Kaufman D24/119
- D274,098 S * 5/1984 Kaufman
- 4,679,859 A * 7/1987 Wilson A47L 13/20
15/104.94
- 5,025,596 A * 6/1991 Heyer A47L 13/16
15/229.11
- 5,522,110 A * 6/1996 Borofsky

5,560,070 A * 10/1996 Reaume A47L 13/20
15/210.1

5,591,507 A * 1/1997 Jones A47L 13/16
15/114

D401,099 S 11/1998 Pawson et al.
D417,117 S 11/1999 Gerke

(Continued)

FOREIGN PATENT DOCUMENTS

CN 303924471 * 11/2016
WO WO D039948-002 * 6/1997

OTHER PUBLICATIONS

Cleaning.org, Cleaning Ceramic Tile Floors and Grout, <https://www.tilecleaning.org/cleaning-ceramic-tile-floor.htm>, site visited Feb. 2, 2018.*

Primary Examiner — John Windmuller

Assistant Examiner — John R Yeh

(74) *Attorney, Agent, or Firm* — Gary L. Eastman, Esq.;
Eastman & McCartney LLP

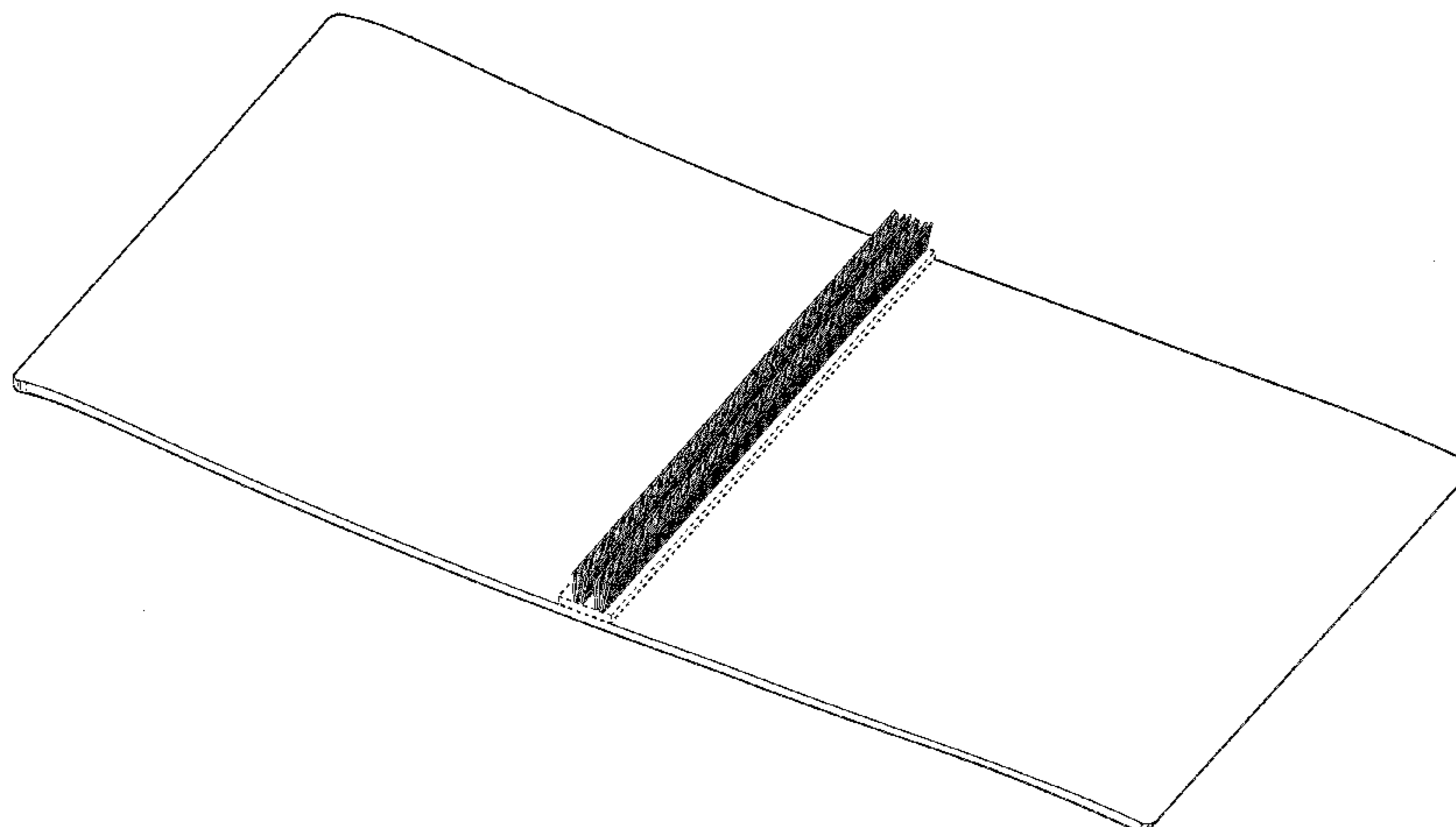
(57) **CLAIM**

The ornamental design for a tile and grout cleaning pad, as shown and described.

DESCRIPTION

FIG. 1 is a top perspective view of the tile and grout cleaning pad showing my new design;
FIG. 2 is a top plan view thereof;
FIG. 3 is a bottom plan view thereof;
FIG. 4 is a front elevational view thereof;
FIG. 5 is a back elevational view thereof;
FIG. 6 is a right side elevational view thereof; and,
FIG. 7 is a left side elevational view thereof.
The broken lines in the figures represent portions of the tile and grout cleaning pad that form no part of the claimed design.

1 Claim, 5 Drawing Sheets



(56)

References Cited

U.S. PATENT DOCUMENTS

5,996,164	A *	12/1999	Demetriades	A47L 13/20 15/229.1
6,023,809	A *	2/2000	Demetriades	A47L 13/20 15/229.1
D474,031	S	5/2003	Wassil et al.	
6,842,936	B2	1/2005	Policicchi et al.	
D523,274	S	6/2006	Miyoshi	
D549,030	S	8/2007	Kessler et al.	
D551,408	S *	9/2007	Pung	D32/40
D559,486	S *	1/2008	Kiyotomo	D32/40
D608,127	S	1/2010	Venugopal	
D612,118	S *	3/2010	Williams	D32/41
D623,882	S	9/2010	Oster	
7,895,699	B2 *	3/2011	Hutchins	A47L 13/20 15/228
D642,759	S	8/2011	Otsuka et al.	
D649,310	S *	11/2011	Colangelo	D32/40
D649,312	S *	11/2011	Adams	D32/40
D666,860	S	9/2012	Lubart	
D668,012	S *	9/2012	Seibert	D32/40
D674,566	S	1/2013	Colangelo	
D792,042	S *	7/2017	Parsons	D32/40
D797,460	S *	9/2017	Pellegrino	D4/120
D807,605	S *	1/2018	Kim	D32/40
2007/0107155	A1	5/2007	Kacher et al.	
2012/0042467	A1	2/2012	Mandhai et al.	

* cited by examiner

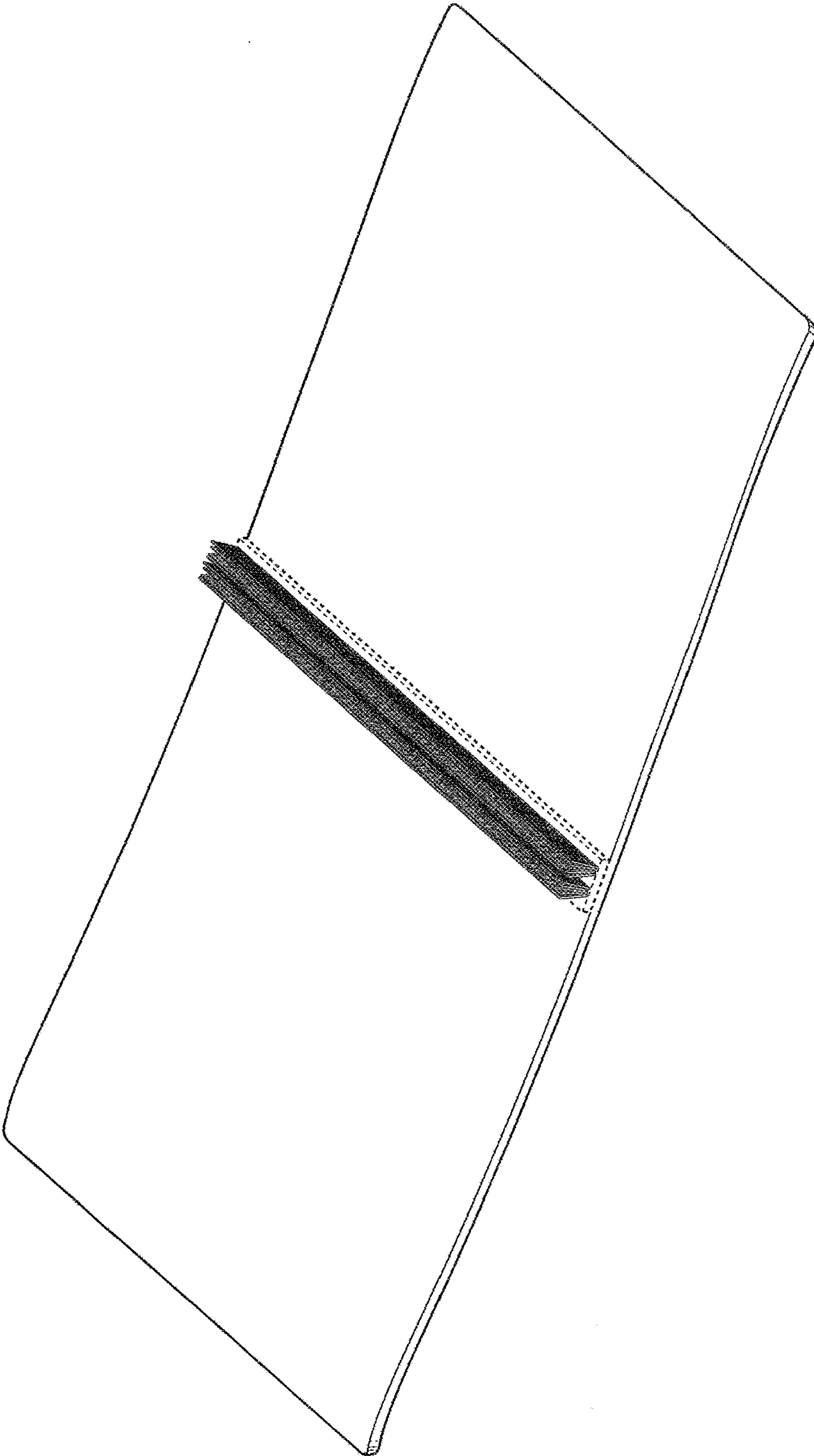


FIG. 1

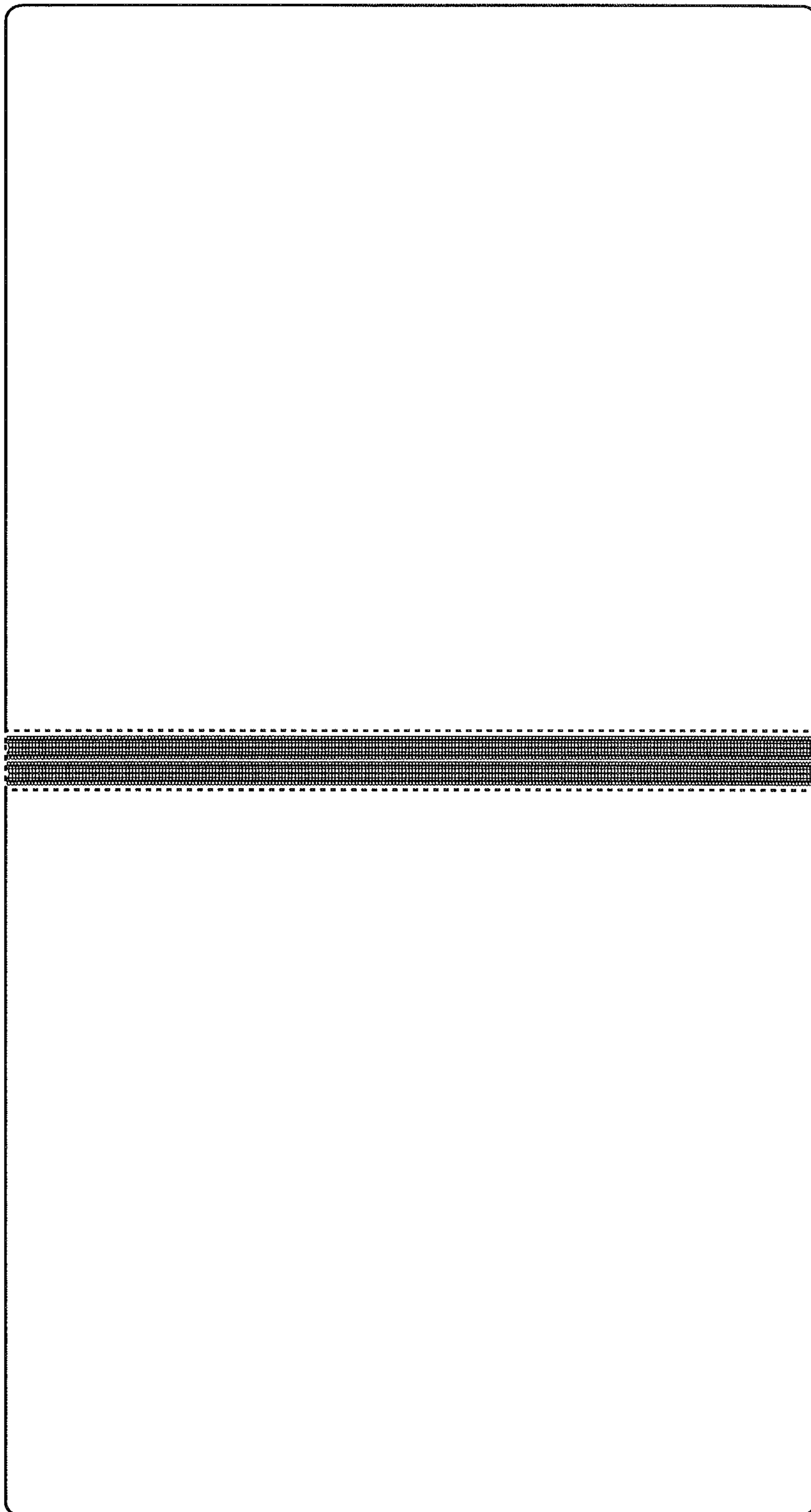


FIG. 2

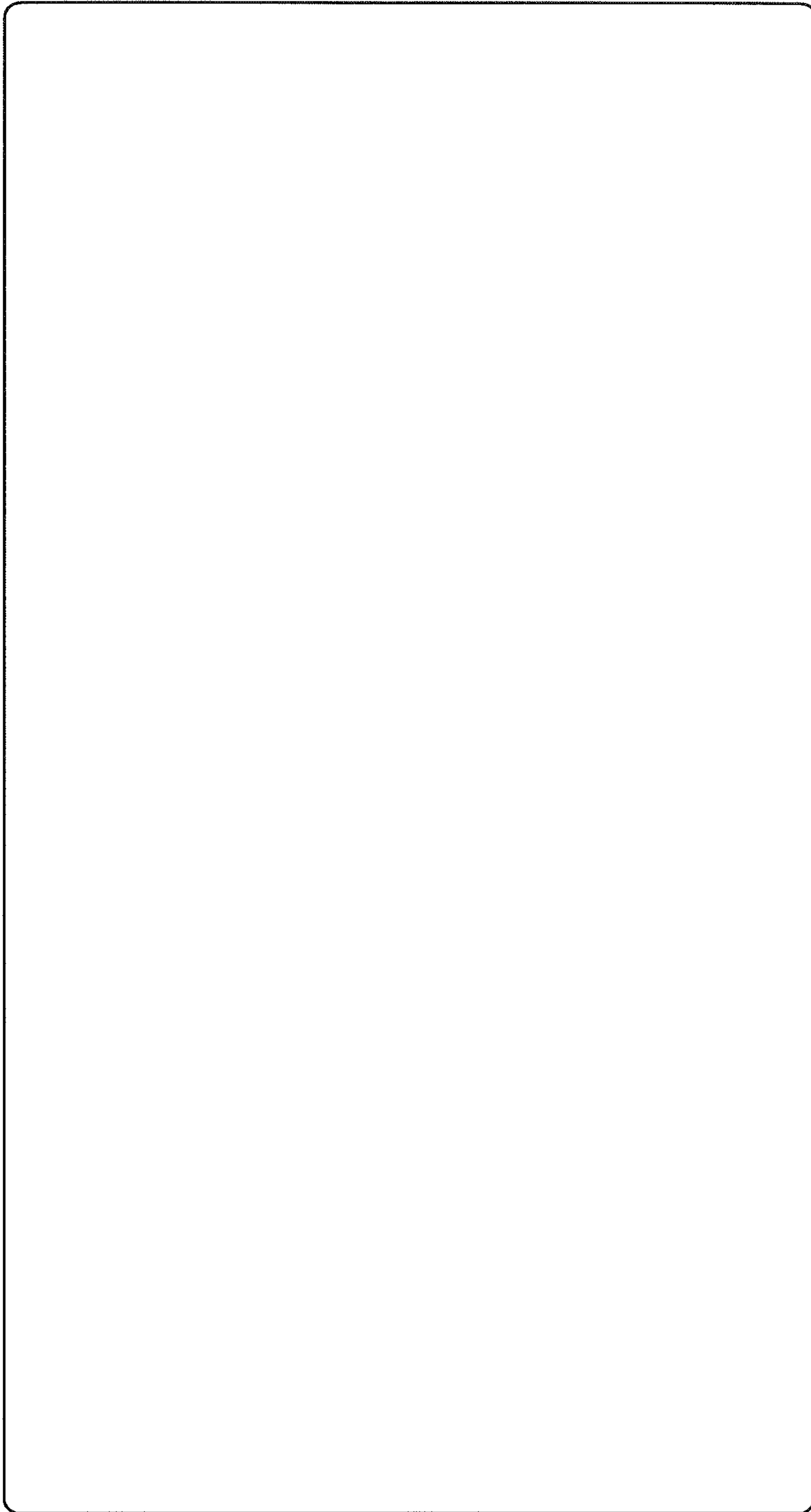


FIG. 3

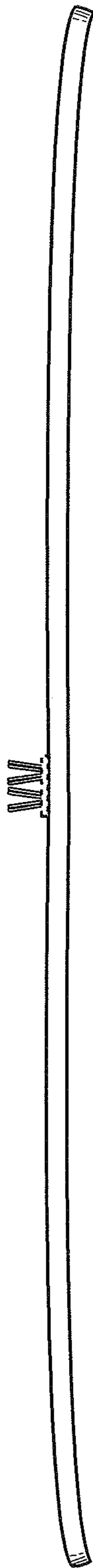


FIG. 4

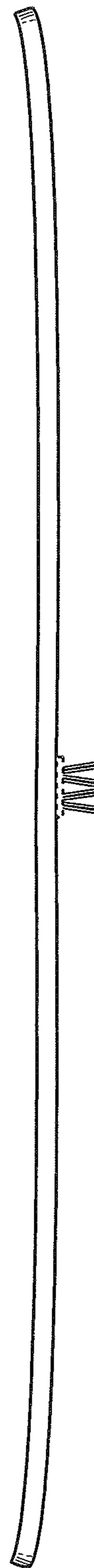


FIG. 5



FIG. 6



FIG. 7