

US00D836274S

(12) **United States Design Patent** (10) **Patent No.:** **US D836,274 S**
Nam et al. (45) **Date of Patent:** **** Dec. 18, 2018**

(54) **SUCTION NOZZLE FOR VACUUM CLEANER**

D01H 11/006; B60S 1/64; A46B 11/001;
A46B 11/002; B08B 3/026; B08B 3/028
See application file for complete search history.

(71) Applicant: **LG ELECTRONICS INC.**, Seoul (KR)

(56) **References Cited**

(72) Inventors: **Bohyun Nam**, Seoul (KR); **Seongmin Kim**, Seoul (KR); **Jaeyoung Kim**, Seoul (KR); **Hyeonjeong An**, Seoul (KR)

U.S. PATENT DOCUMENTS

(73) Assignee: **LG ELECTRONICS INC.**, Seoul (KR)

D524,498 S *	7/2006	Luebbering	D32/32
D541,499 S *	4/2007	Proud	D32/32
D575,467 S *	8/2008	Paredes	D32/32
D621,564 S *	8/2010	Kaffenberger	D32/32
D643,168 S *	8/2011	Dyson	D32/32
D649,725 S *	11/2011	Fjellman	D32/32
D738,583 S *	9/2015	Gidwell	D32/25
D752,301 S *	3/2016	Courtney	D32/32
D752,302 S *	3/2016	Courtney	D32/32
D787,766 S *	5/2017	Nam	D32/32
D807,603 S *	1/2018	Roschi	D32/32

(**) Term: **15 Years**

* cited by examiner

(21) Appl. No.: **35/502,654**

Primary Examiner — Michael A. Pratt

(22) Filed: **Sep. 22, 2016**

(74) *Attorney, Agent, or Firm* — Birch, Stewart, Kolasch & Birch, LLP

(80) **Hague Agreement Data**

Int. Filing Date: **Sep. 22, 2016**

Int. Reg. No.: **DM/092753**

Int. Reg. Date: **Sep. 22, 2016**

Int. Reg. Pub. Date: **Mar. 24, 2017**

(57) **CLAIM**

The ornamental design for a suction nozzle for vacuum cleaner, as shown and described.

(30) **Foreign Application Priority Data**

May 13, 2016 (KR) 30-2016-0022760

(51) **LOC (11) Cl.** **15-05**

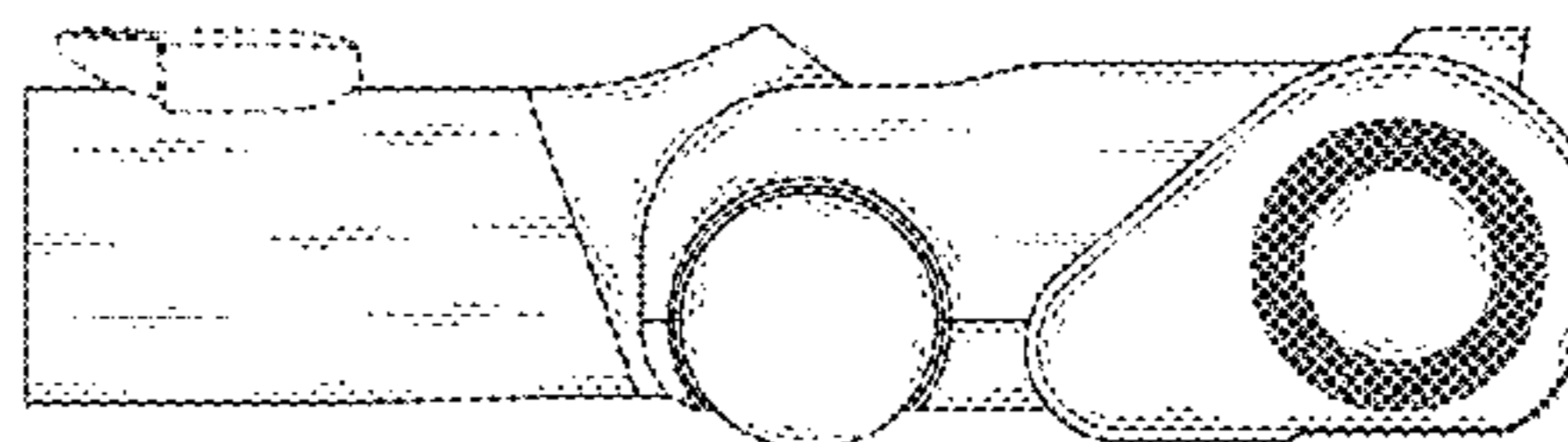
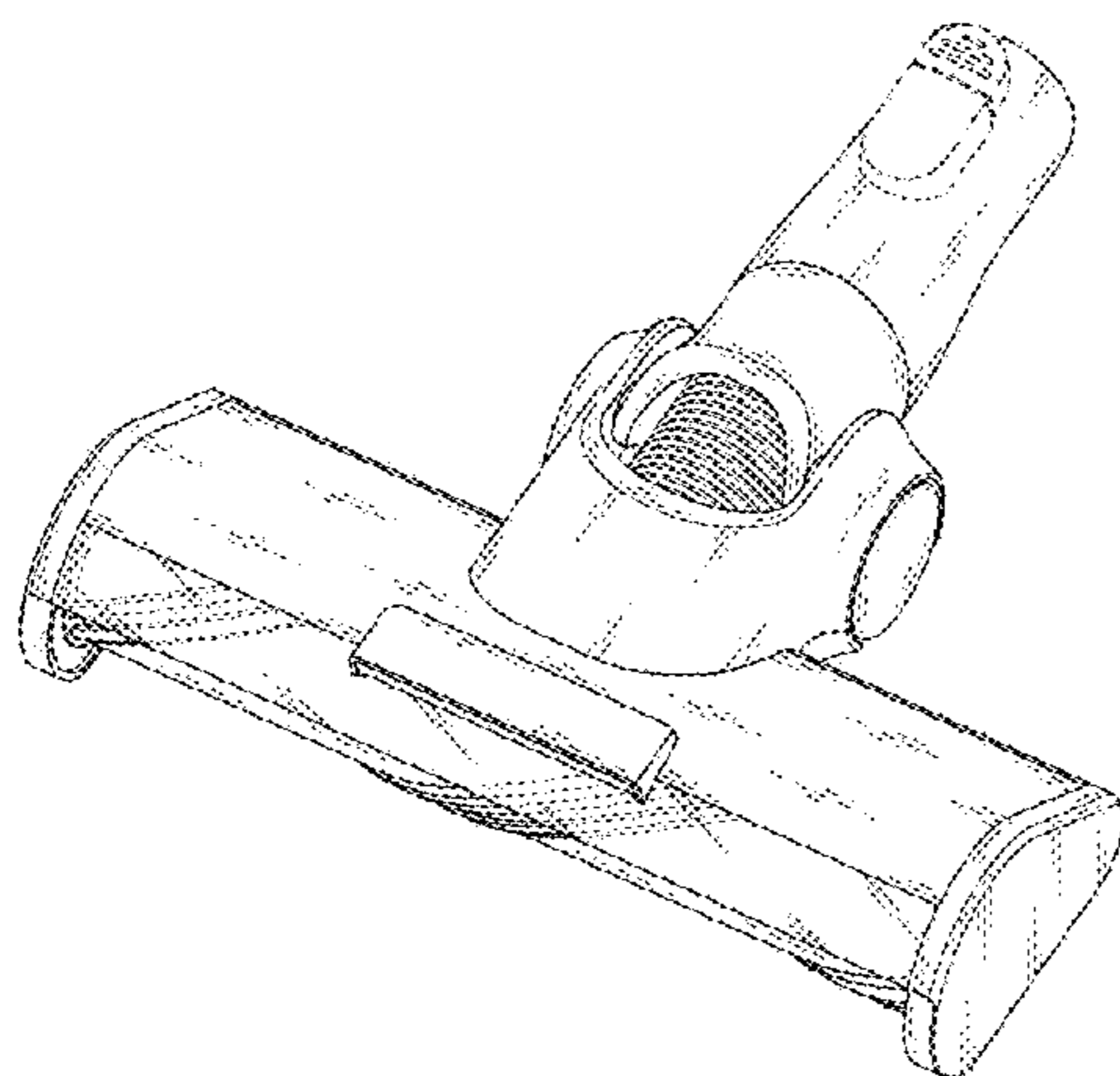
(52) **U.S. Cl.**
USPC **D32/32**

(58) **Field of Classification Search**
USPC D32/17-18, 21-22, 31-32, 34, 69-70, 72
CPC A47L 5/24; A47L 5/38; A47L 5/28; A47L 11/4044; A47L 11/34; A47L 7/0038; A47L 9/325; A47L 9/02; A47L 1/08;

DESCRIPTION

1. Suction nozzle for vacuum cleaner
- 1.1 is a perspective view of a suction nozzle for vacuum cleaner, showing our new design;
- 1.2 is a front elevation view thereof;
- 1.3 is a rear elevation view thereof;
- 1.4 is a left-side elevation view thereof;
- 1.5 is a right-side elevation view thereof;
- 1.6 is a top plan view thereof;
- 1.7 is a bottom plan view thereof; and
- 1.8 is a perspective view thereof, wherein the diagonal line at the center of the front lower face represents an LED lamp.

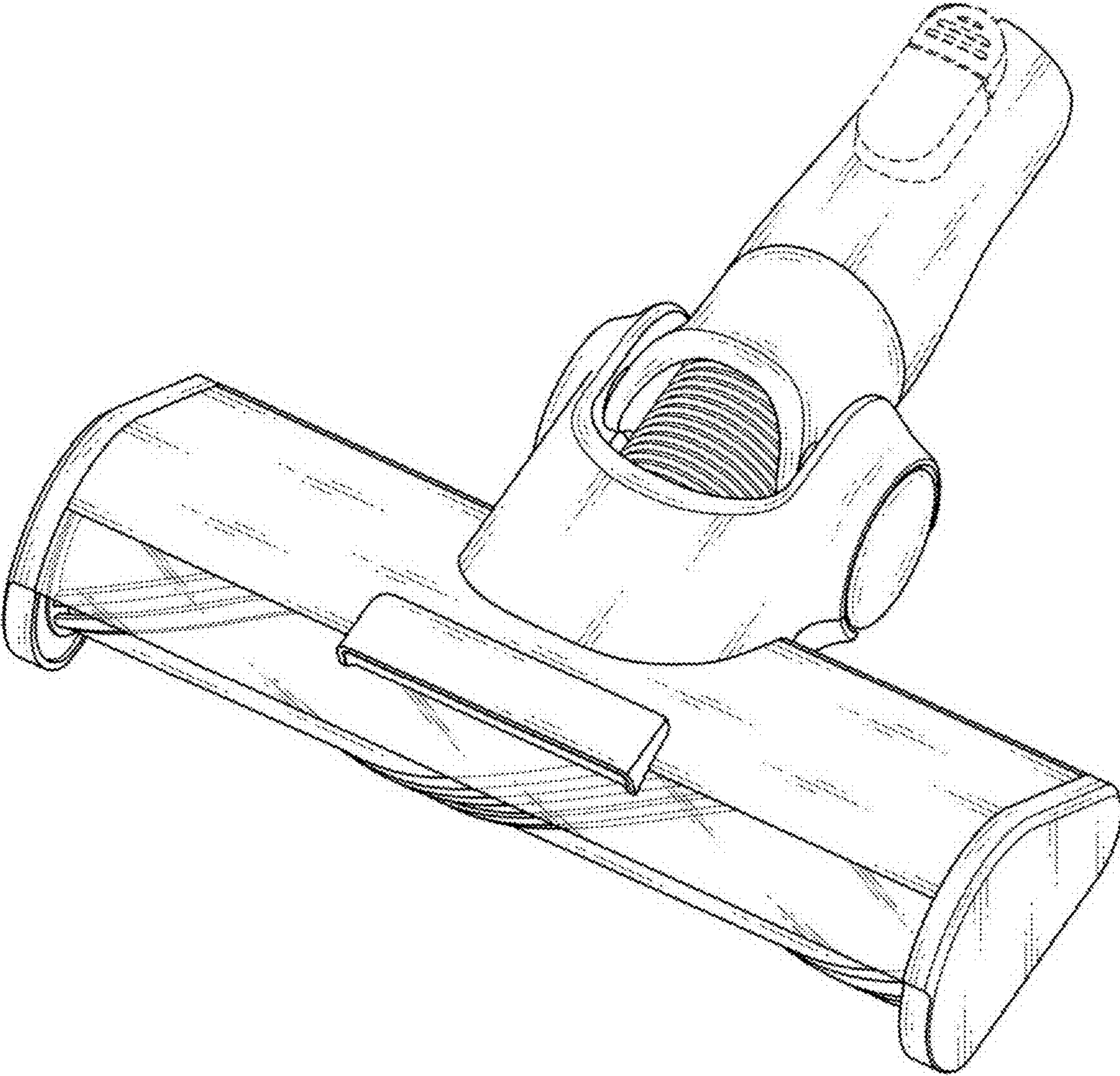
(Continued)



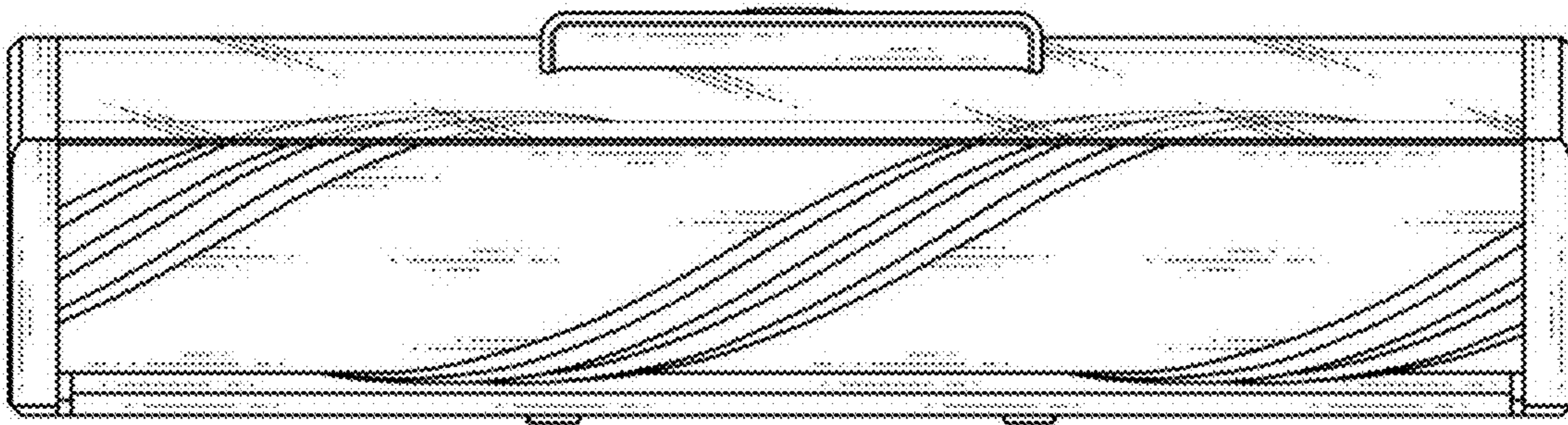
The broken line shown in figures 1.1 through 1.6 and 1.8 is for the purpose of illustrating portions that do not form a part of the claimed design.

1 Claim, 8 Drawing Sheets

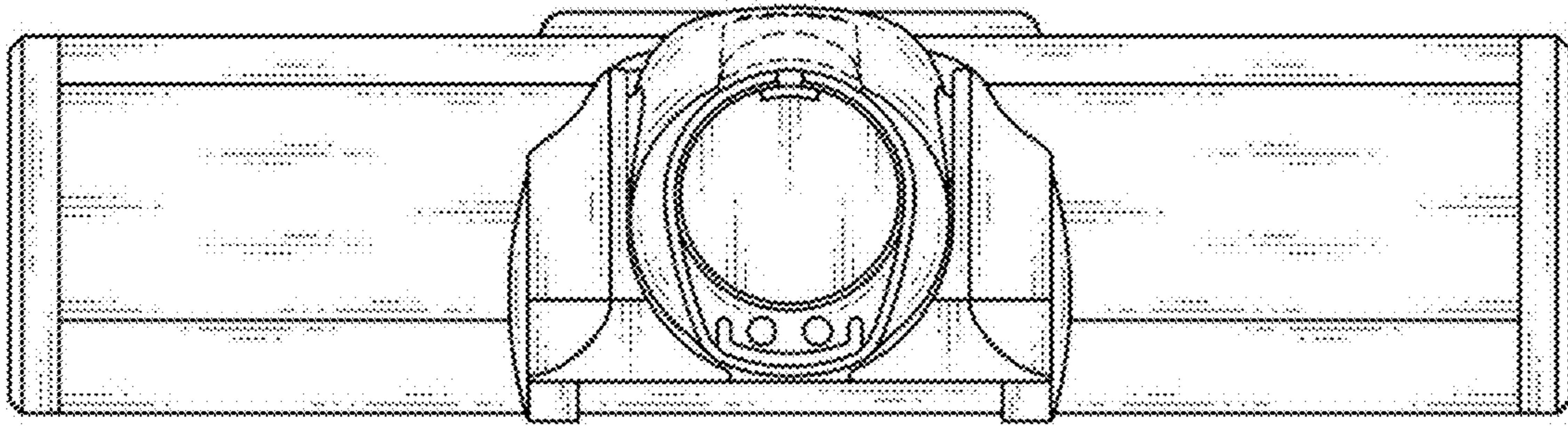
1.1



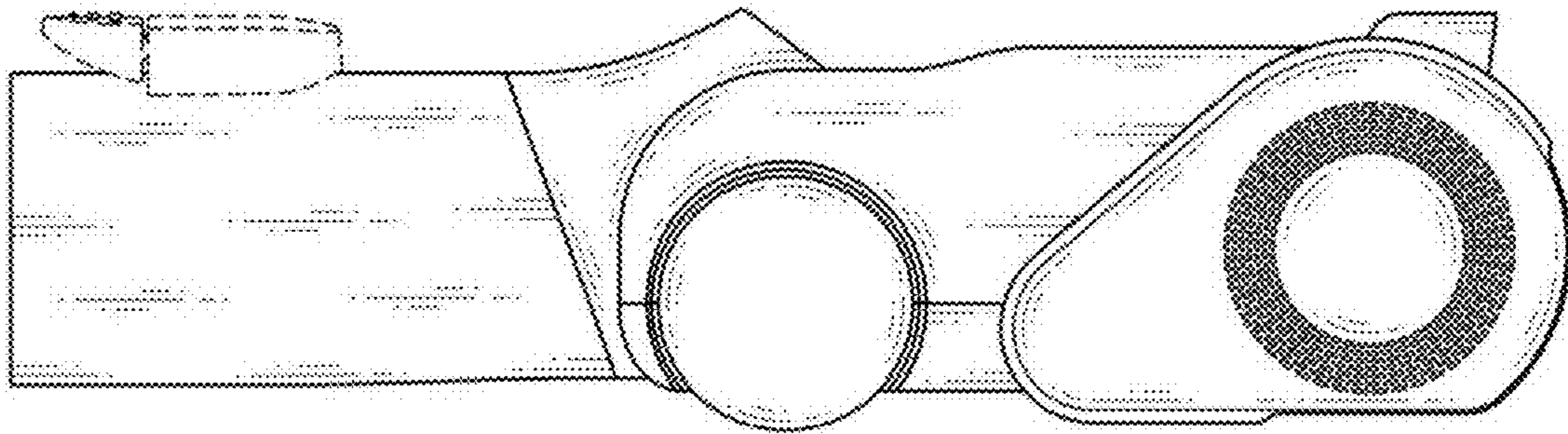
1.2



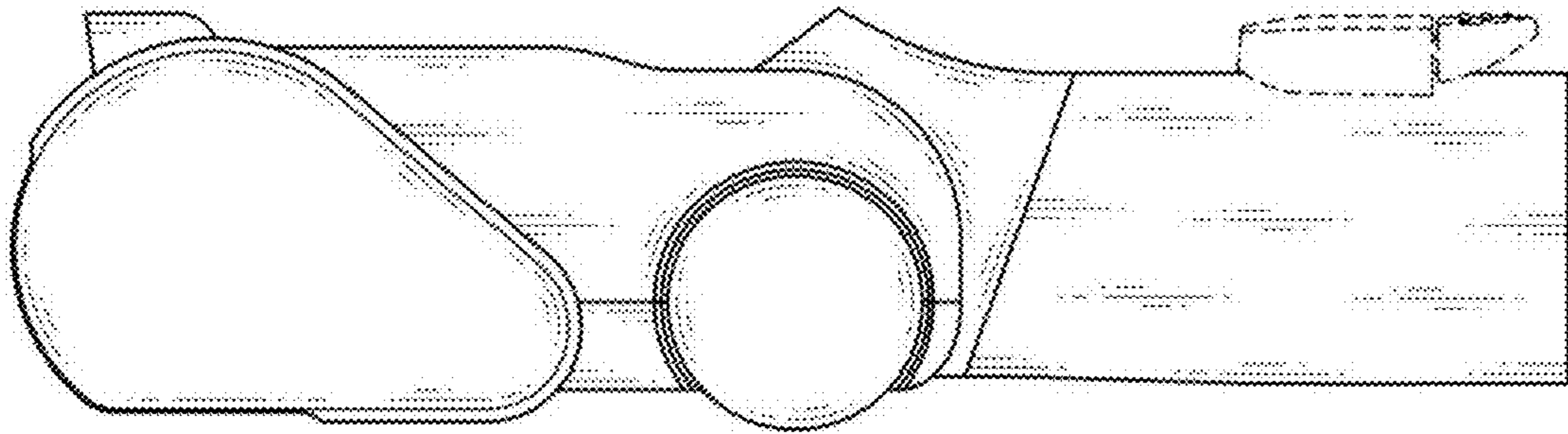
1.3



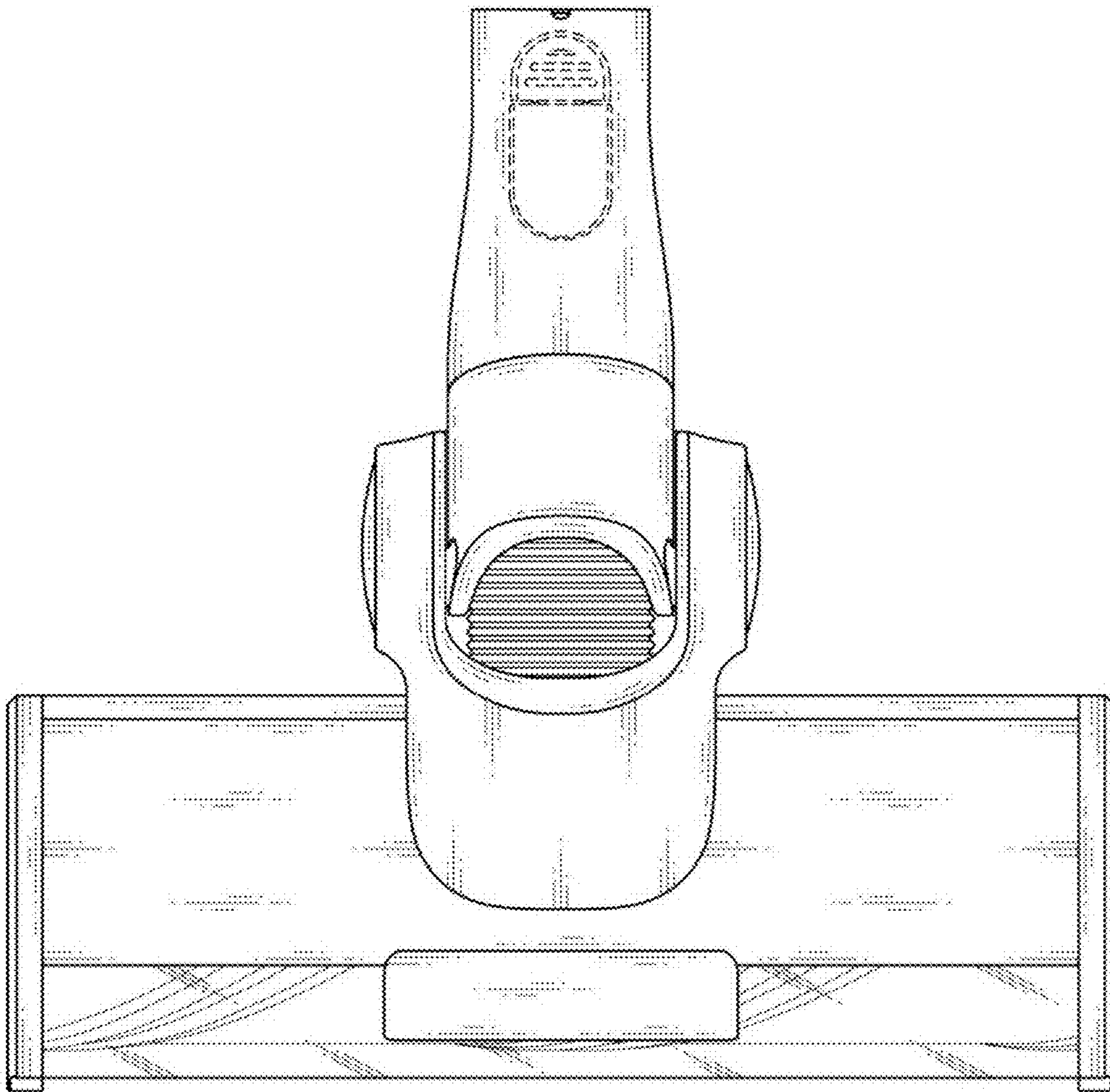
1.4



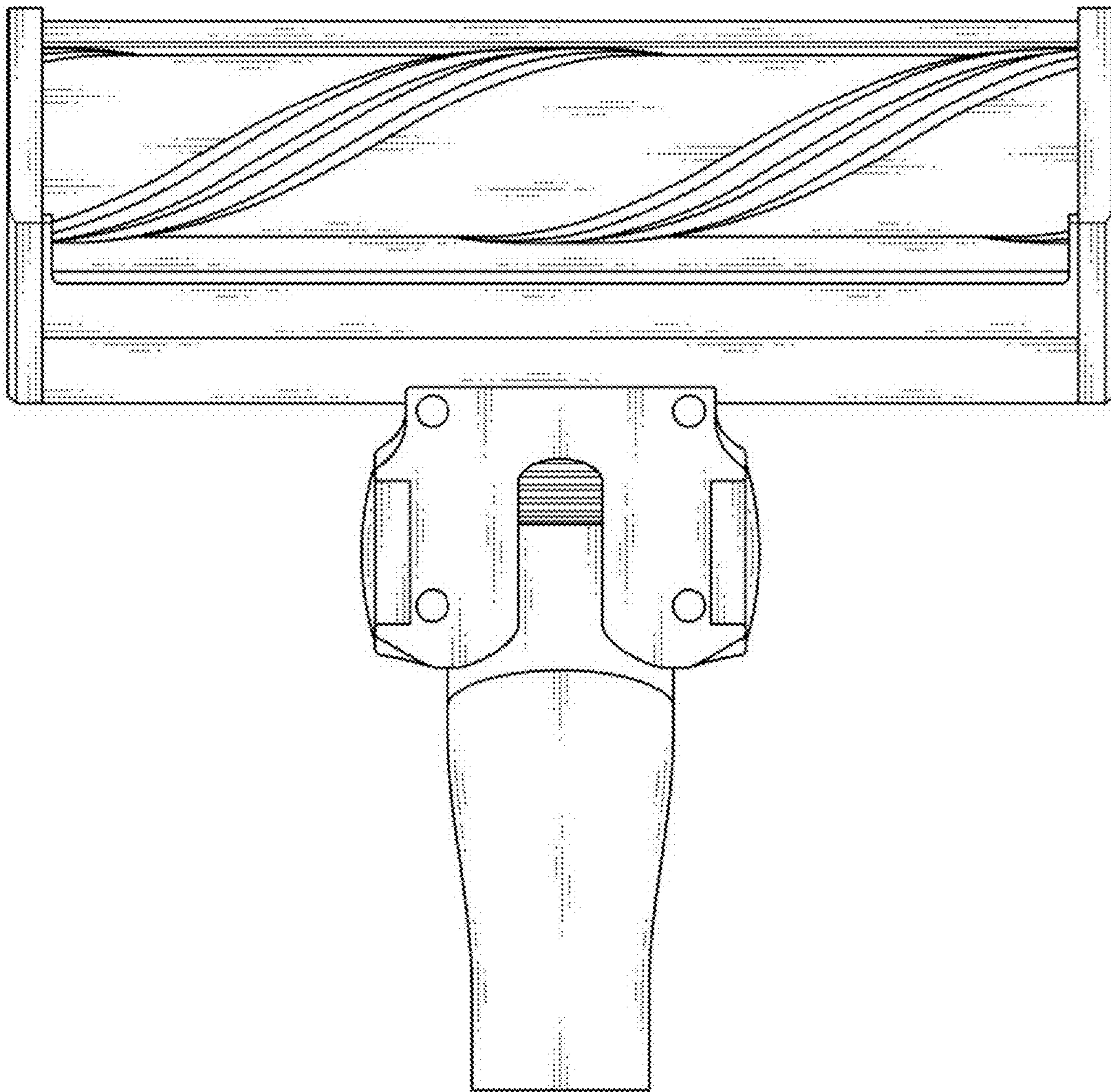
1.5



1.6



1.7



1.8

