



US00D836272S

(12) **United States Design Patent** (10) **Patent No.:** **US D836,272 S**
Janik et al. (45) **Date of Patent:** **** Dec. 18, 2018**

(54) **PRESSURE WASHER FRAME**
(71) Applicant: **Briggs & Stratton Corporation,**
Wauwatosa, WI (US)
(72) Inventors: **Paul Janik,** Saukville, WI (US);
Matthew Menzel, Wauwatosa, WI (US)
(73) Assignee: **Briggs & Stratton Corporation,**
Wauwatosa, WA (US)
(**) Term: **15 Years**

D622,471 S * 8/2010 Hernandez D34/12
D633,263 S * 2/2011 Fay D32/15
D634,083 S * 3/2011 Fay D32/15
D639,001 S * 5/2011 Alexander D32/15
D648,082 S * 11/2011 Alexander D32/15
D688,841 S * 8/2013 van Deursen D32/25
D702,900 S * 4/2014 Kahan D32/16
D703,888 S * 4/2014 Kahan D32/16
D732,764 S * 6/2015 Kennard D32/15
D733,373 S * 6/2015 Kahan D32/16
D742,080 S * 10/2015 Rigon D32/15
D749,805 S * 2/2016 Janik D32/16
D778,011 S * 1/2017 Alexander D32/16

(Continued)

(21) Appl. No.: **29/571,904**
(22) Filed: **Jul. 22, 2016**
(51) **LOC (11) Cl.** **15-05**
(52) **U.S. Cl.**
USPC **D32/15**
(58) **Field of Classification Search**
USPC D32/16, 21, 15; D34/14, 19, 12;
D23/359; D15/5
CPC B08B 3/026; B08B 3/028; B05B 1/12;
B05B 9/0855; B05B 1/00; B05B 1/1654;
B05B 9/007; B05B 9/0426; F04B 17/05;
F04B 49/24
See application file for complete search history.

OTHER PUBLICATIONS

U.S. Appl. No. 29/554,753, filed Feb. 15, 2016, Janik et al.
Primary Examiner — Michelle E. Wilson
(74) *Attorney, Agent, or Firm* — Foley & Lardner LLP

(57) **CLAIM**

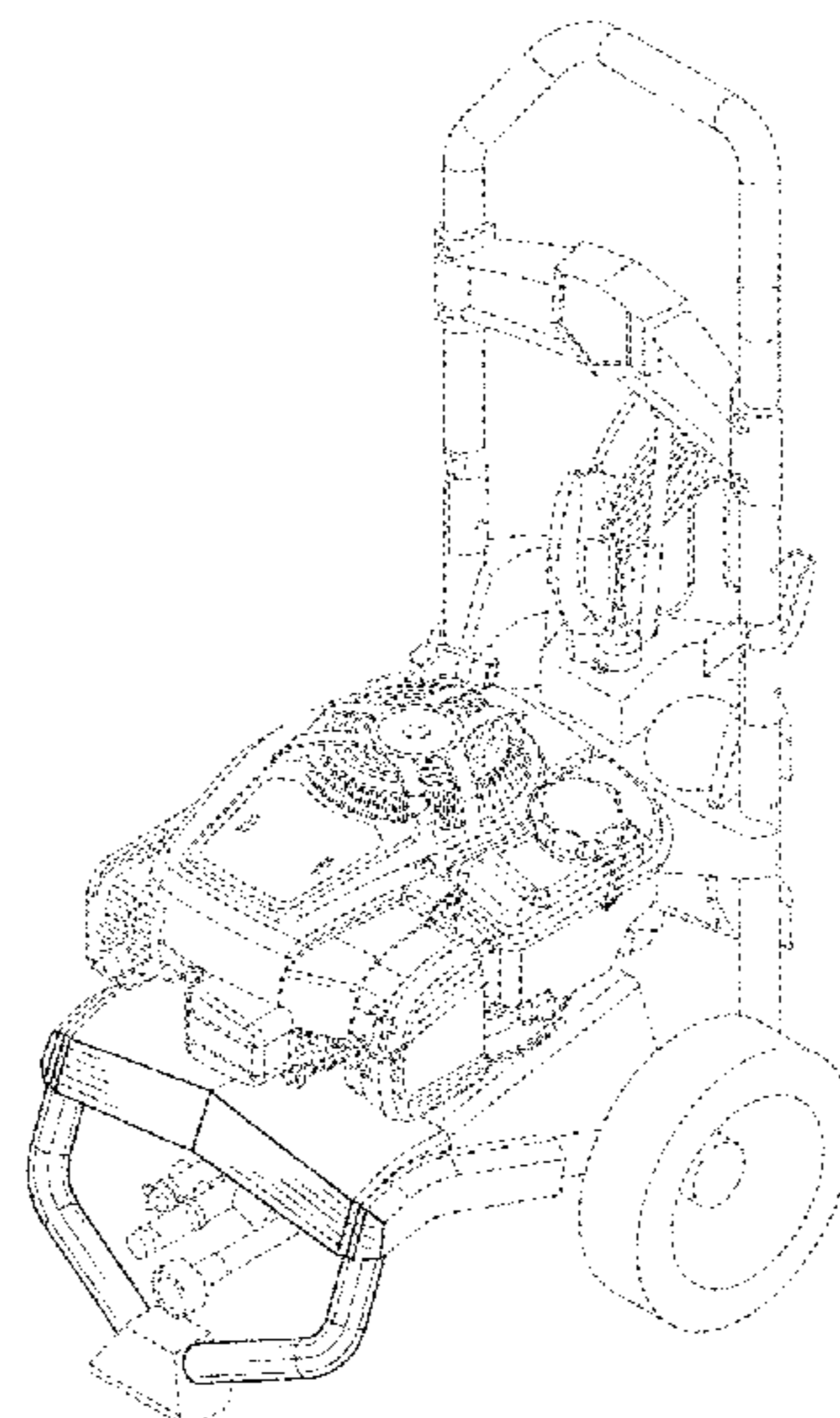
We claim the ornamental design for a pressure washer frame, as shown and described.

DESCRIPTION

FIG. 1 is a front perspective view from above of the claimed design;
FIG. 2 is a front view of the claimed design of FIG. 1;
FIG. 3 is a rear view of the claimed design of FIG. 1;
FIG. 4 is a left side view of the claimed design of FIG. 1;
FIG. 5 is a right side view of the claimed design of FIG. 1;
FIG. 6 is a top view of the claimed design of FIG. 1;
FIG. 7 is a bottom view of the claimed design of FIG. 1; and,
FIG. 8 is a front perspective view from below of the claimed design of FIG. 1.
The broken lines in the drawings form no part of the claimed design.

(56) **References Cited**
U.S. PATENT DOCUMENTS
5,494,414 A * 2/1996 Steinhart F02B 75/007
417/360
D375,590 S * 11/1996 Steinhart D32/15
5,902,094 A * 5/1999 Hoenisch B08B 3/026
137/540
D467,692 S * 12/2002 Morgan D32/15
D499,848 S * 12/2004 Leasure D32/15
D532,942 S * 11/2006 Busschaert D32/15
D580,610 S * 11/2008 Hawkins D32/25
D590,110 S * 4/2009 Hawkins D32/25
7,516,910 B1 * 4/2009 DeWall B05B 9/01
239/525

1 Claim, 8 Drawing Sheets



(56)

References Cited

U.S. PATENT DOCUMENTS

D779,744 S * 2/2017 Weinberg D32/16
 D779,745 S * 2/2017 Weinberg D32/16
 D779,746 S * 2/2017 Weinberg D32/16
 D804,750 S * 12/2017 Janik D32/16
 2002/0122730 A1* 9/2002 Dexter B08B 3/026
 417/299
 2006/0038034 A1* 2/2006 Hillary B05B 9/0855
 239/146
 2006/0102745 A1* 5/2006 Dexter B05B 9/0855
 239/146
 2006/0118498 A1* 6/2006 Gilpatrick B08B 3/026
 211/70.6
 2006/0131151 A1* 6/2006 Marchand B05B 9/01
 200/336
 2006/0196967 A1* 9/2006 Monty B05B 1/00
 239/73
 2008/0245899 A1* 10/2008 Parris F04B 17/05
 239/526
 2009/0317262 A1* 12/2009 Gilpatrick B08B 3/026
 417/34
 2010/0006668 A1* 1/2010 Alexander B08B 3/026
 239/129
 2010/0206964 A1* 8/2010 Li F04B 17/03
 239/398

2010/0282862 A1* 11/2010 Gilpatrick B08B 3/026
 239/88
 2011/0081260 A1* 4/2011 Klika F04B 17/05
 417/364
 2011/0081261 A1* 4/2011 Klika B08B 3/026
 417/364
 2011/0171045 A1* 7/2011 Gilpatrick F04B 9/042
 417/273
 2011/0315176 A1* 12/2011 Gilpatrick B08B 3/026
 134/57 R
 2012/0018534 A1* 1/2012 Gilpatrick B05B 7/0876
 239/310
 2014/0119949 A1* 5/2014 Wischstadt B08B 3/026
 417/34
 2014/0251390 A1* 9/2014 Khan B08B 3/026
 134/99.2
 2014/0252138 A1* 9/2014 Wischstadt B05B 1/12
 239/589
 2014/0263710 A1* 9/2014 Khan B05B 7/005
 239/11
 2014/0263754 A1* 9/2014 Nushart B05B 1/1654
 239/442
 2015/0306614 A1* 10/2015 Pierce B05B 9/007
 137/12
 2016/0067726 A1* 3/2016 Gilpatrick B05B 7/32
 239/526
 2018/0021800 A1* 1/2018 Janik B05B 7/2464
 2018/0021819 A1* 1/2018 Schaller B08B 3/026

* cited by examiner

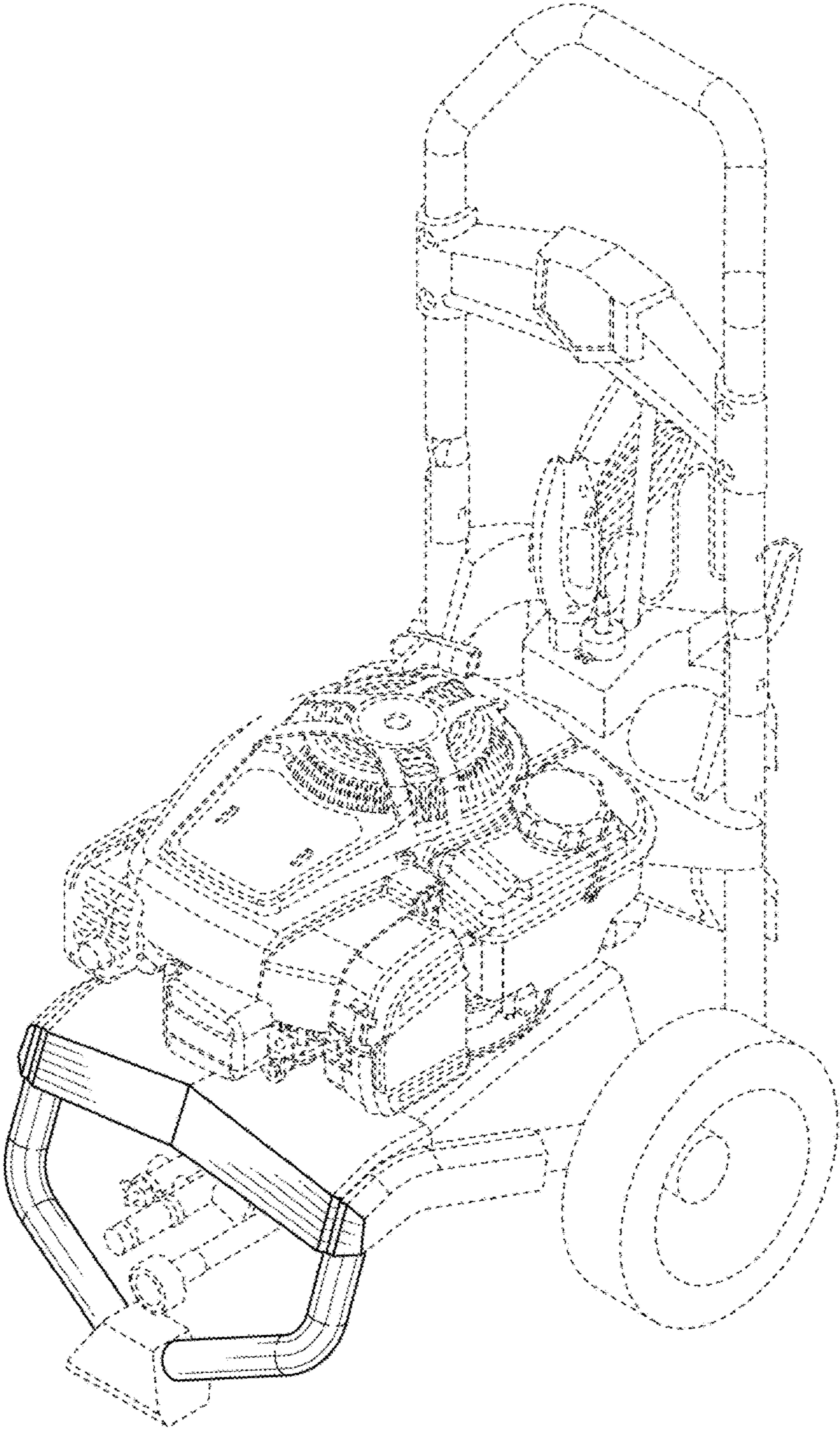


FIG. 1

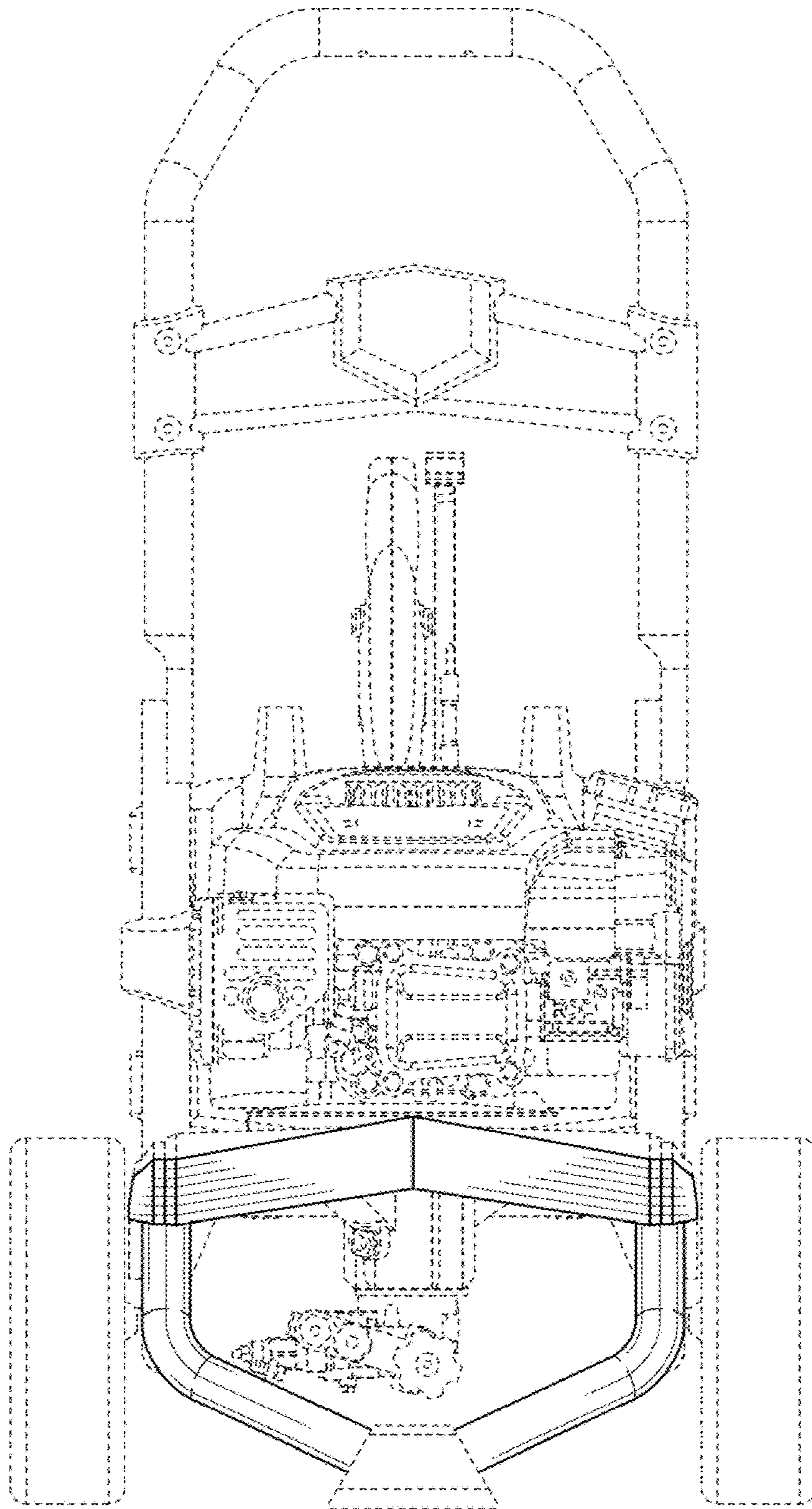


FIG. 2

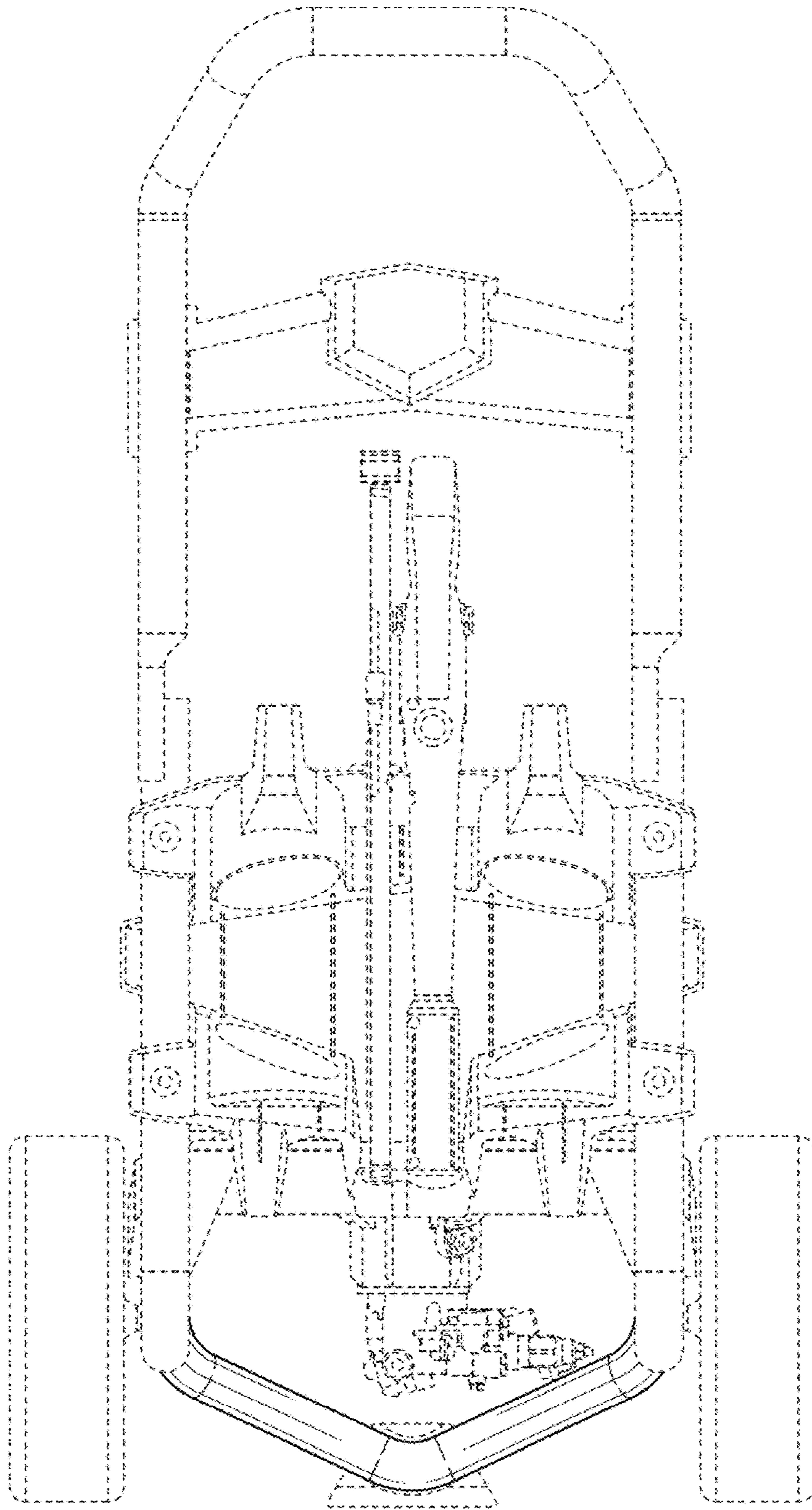


FIG. 3

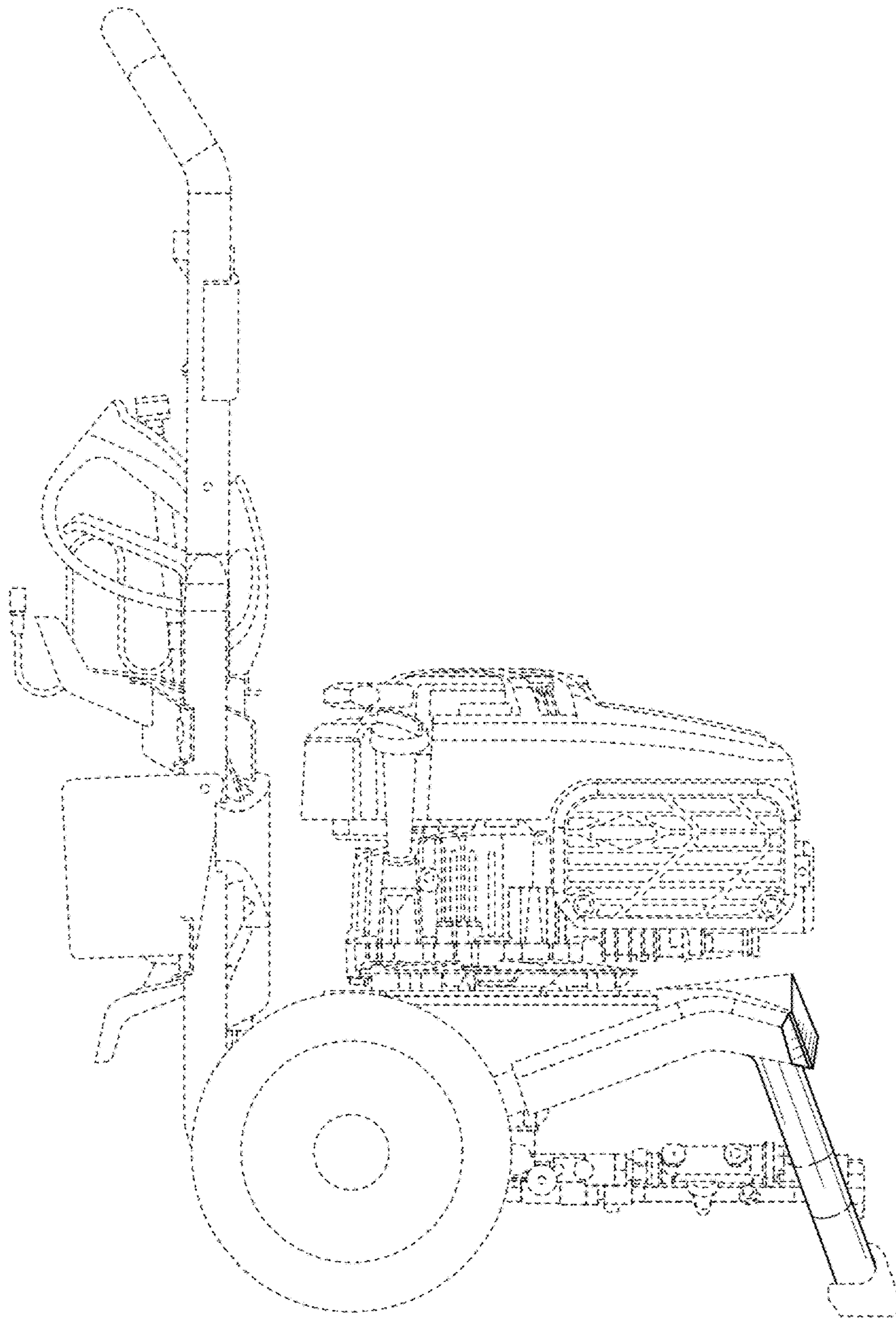


FIG. 4

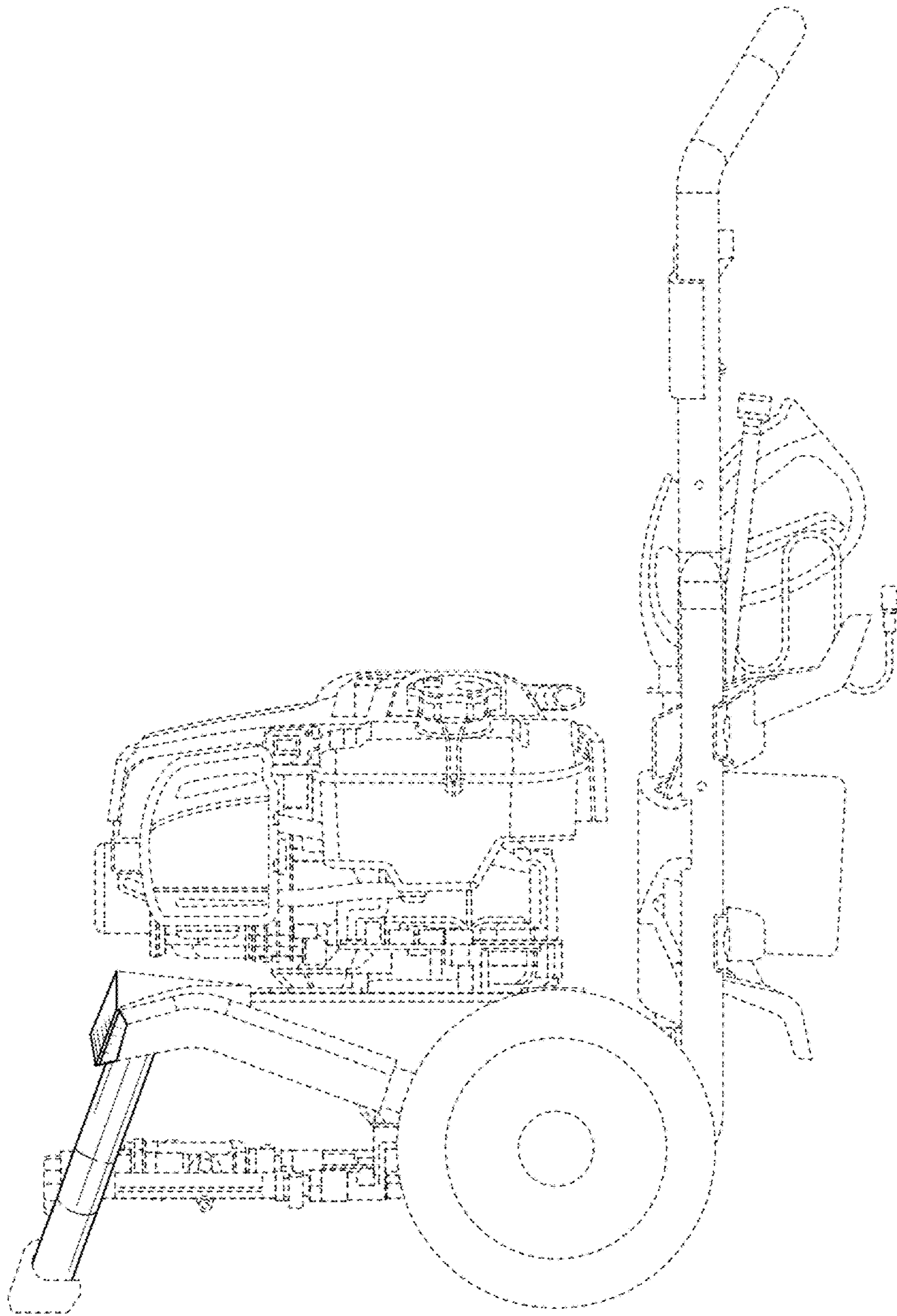


FIG. 5

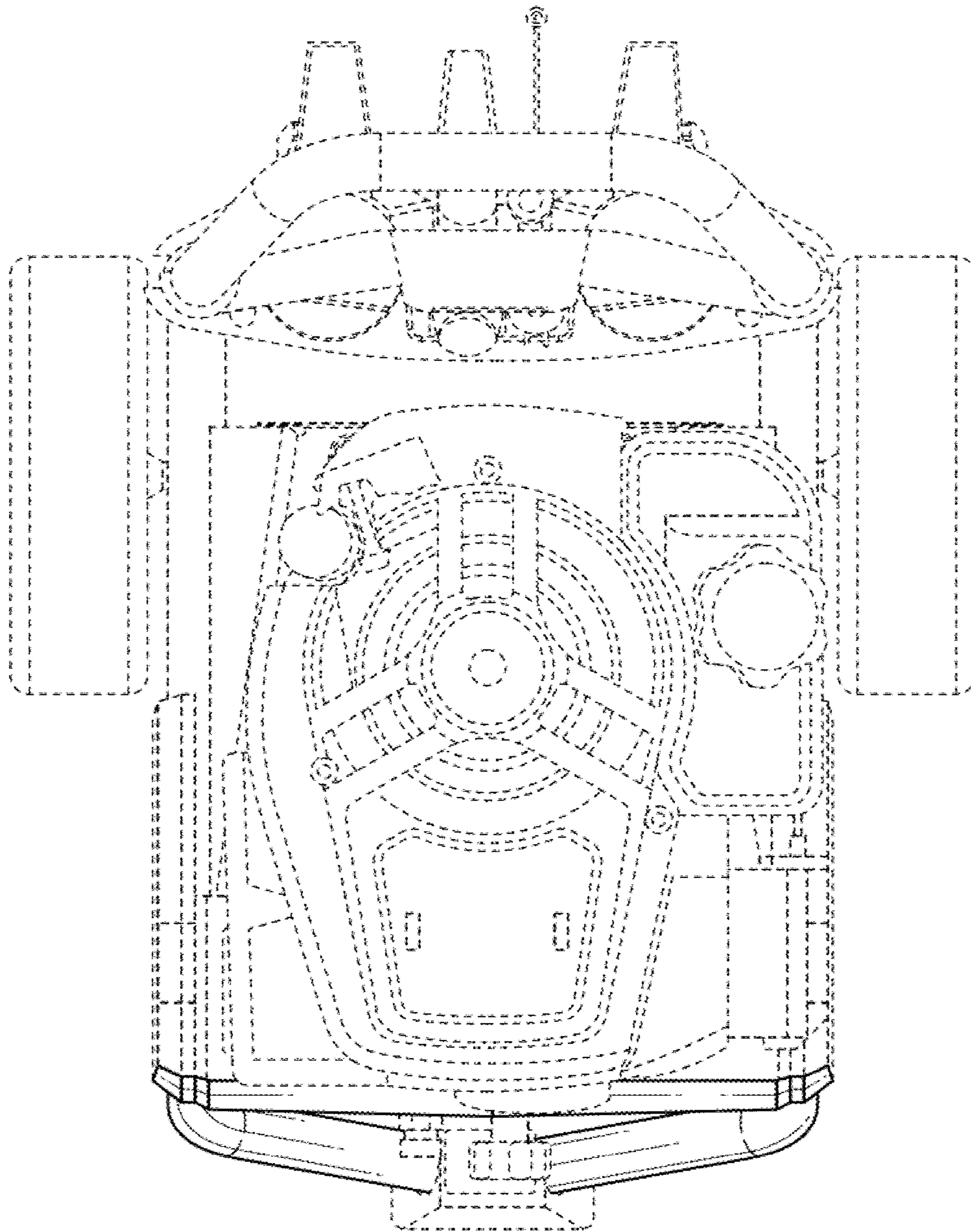


FIG. 6

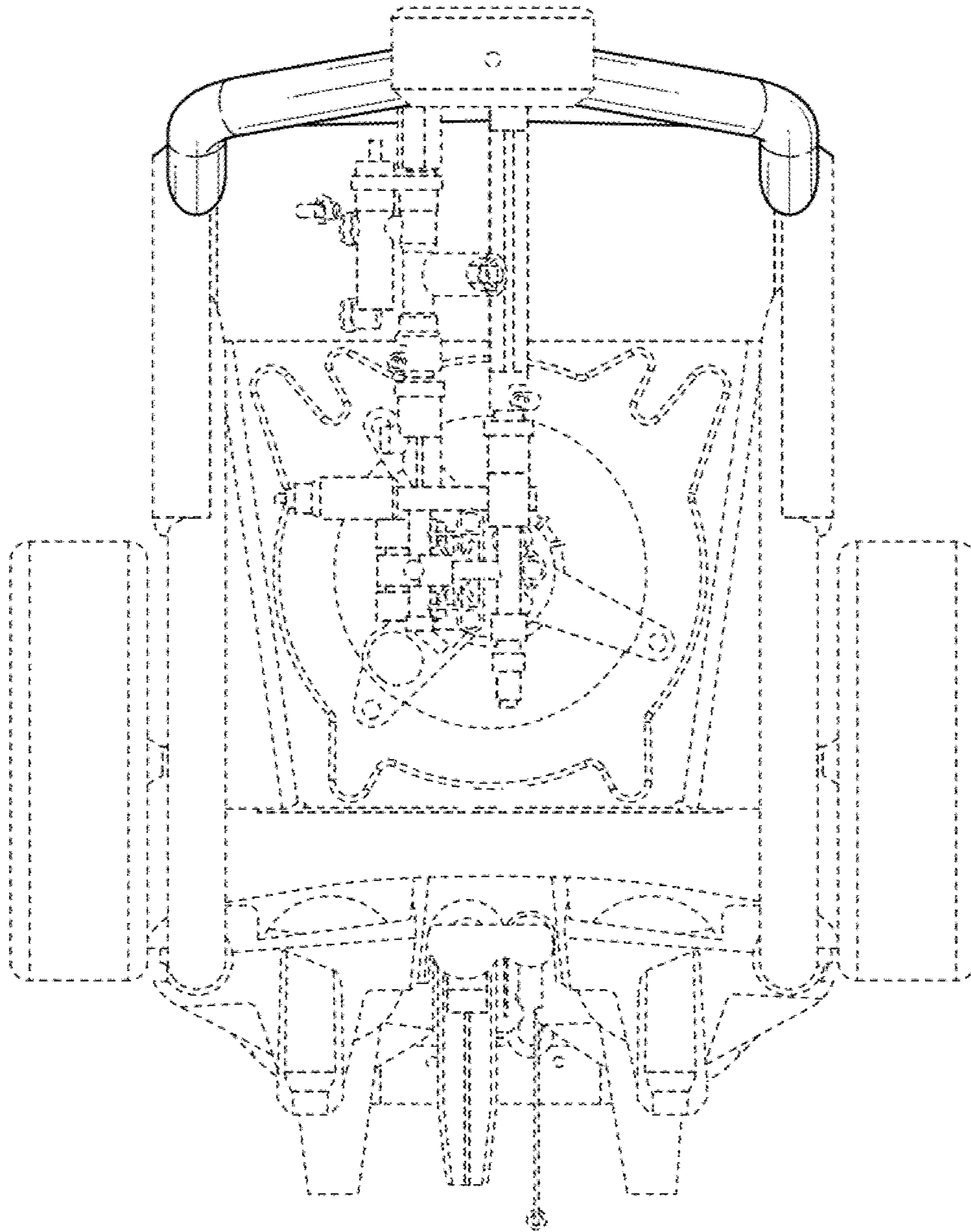


FIG. 7

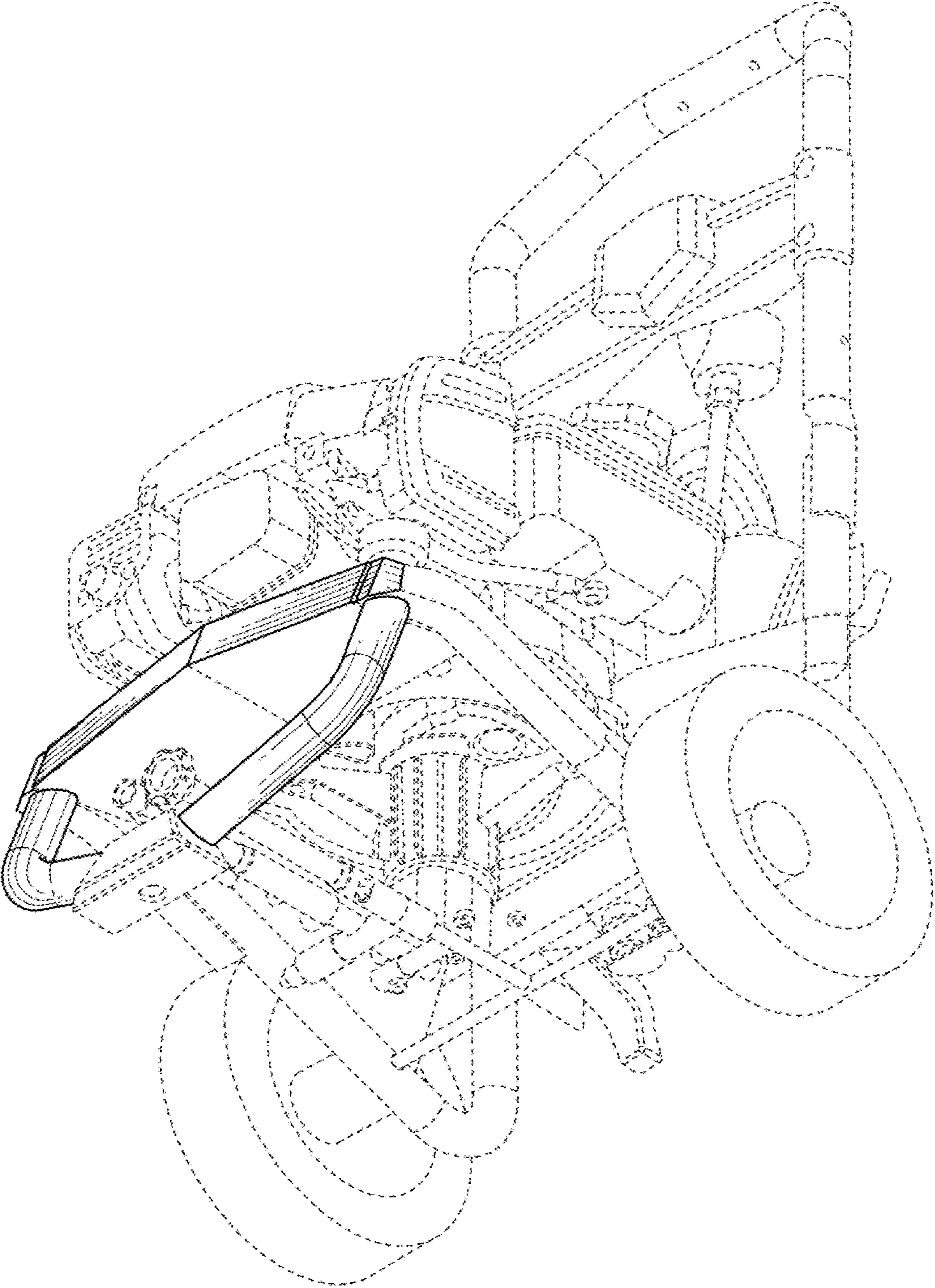


FIG. 8