



US00D836271S

(12) **United States Design Patent** (10) **Patent No.:** **US D836,271 S**  
**Chung et al.** (45) **Date of Patent:** **\*\* \*Dec. 18, 2018**

(54) **DOOR FOR CLOTHING CARE MACHINE**

(71) Applicant: **LG ELECTRONICS INC.**, Seoul (KR)

(72) Inventors: **Wookjun Chung**, Seoul (KR); **Junghoi Choi**, Seoul (KR); **Youjin Chung**, Seoul (KR)

(73) Assignee: **LG ELECTRONICS INC.**, Seoul (KR)

D432,281 S \* 10/2000 LaZar ..... D32/6  
D440,364 S \* 4/2001 LaZar ..... D32/6  
D443,118 S \* 5/2001 LaZar ..... D32/6  
6,427,365 B2 \* 8/2002 MacGregor ..... D06F 73/02  
38/1 A  
D476,782 S \* 7/2003 Huddleston ..... D32/6  
D532,563 S \* 11/2006 Kim ..... D32/6  
D640,430 S \* 6/2011 Jee ..... D32/6  
D643,165 S \* 8/2011 Song ..... D32/8  
8,037,626 B2 \* 10/2011 Moon ..... D06F 58/10  
38/1 A

(Continued)

(\*) Notice: This patent is subject to a terminal disclaimer.

(\*\*) Term: **15 Years**

(21) Appl. No.: **35/503,180**

(22) Filed: **Dec. 16, 2016**

(80) **Hague Agreement Data**

Int. Filing Date: **Dec. 16, 2016**  
Int. Reg. No.: **DM/094052**  
Int. Reg. Date: **Dec. 16, 2016**  
Int. Reg. Pub. Date: **Jun. 16, 2017**

(30) **Foreign Application Priority Data**

Jun. 21, 2016 (KR) ..... 30-2016-0030228

(51) **LOC (11) Cl.** ..... **15-05**

(52) **U.S. Cl.**  
USPC ..... **D32/6**

(58) **Field of Classification Search**  
USPC ..... D32/6, 10  
CPC ..... D06F 71/36; D06F 58/10; D06F 71/29;  
D06F 73/02  
See application file for complete search history.

(56) **References Cited**

**U.S. PATENT DOCUMENTS**

D197,085 S \* 12/1963 Bequette ..... D32/8  
D221,586 S \* 8/1971 Dison ..... D32/1

**OTHER PUBLICATIONS**

LG Styler Model No. s2rerb steam clothing chair system for home or hospitality use. Earliest date Nov. 27, 2016; 6 pages. Found online May 3, 2018 at [https://www.amazon.com/LG-Styler-Number-clothing-hospitality/dp/B018UPJWKU/ref=sr\\_1\\_1?s=home-garden&ie=UTF8&qid=1525434754&sr=1-1&keywords=LG+Styler](https://www.amazon.com/LG-Styler-Number-clothing-hospitality/dp/B018UPJWKU/ref=sr_1_1?s=home-garden&ie=UTF8&qid=1525434754&sr=1-1&keywords=LG+Styler) (Year: 2016).\*

*Primary Examiner* — Robert M. Spear  
(74) *Attorney, Agent, or Firm* — Birch, Stewart, Kolasch & Birch, LLP

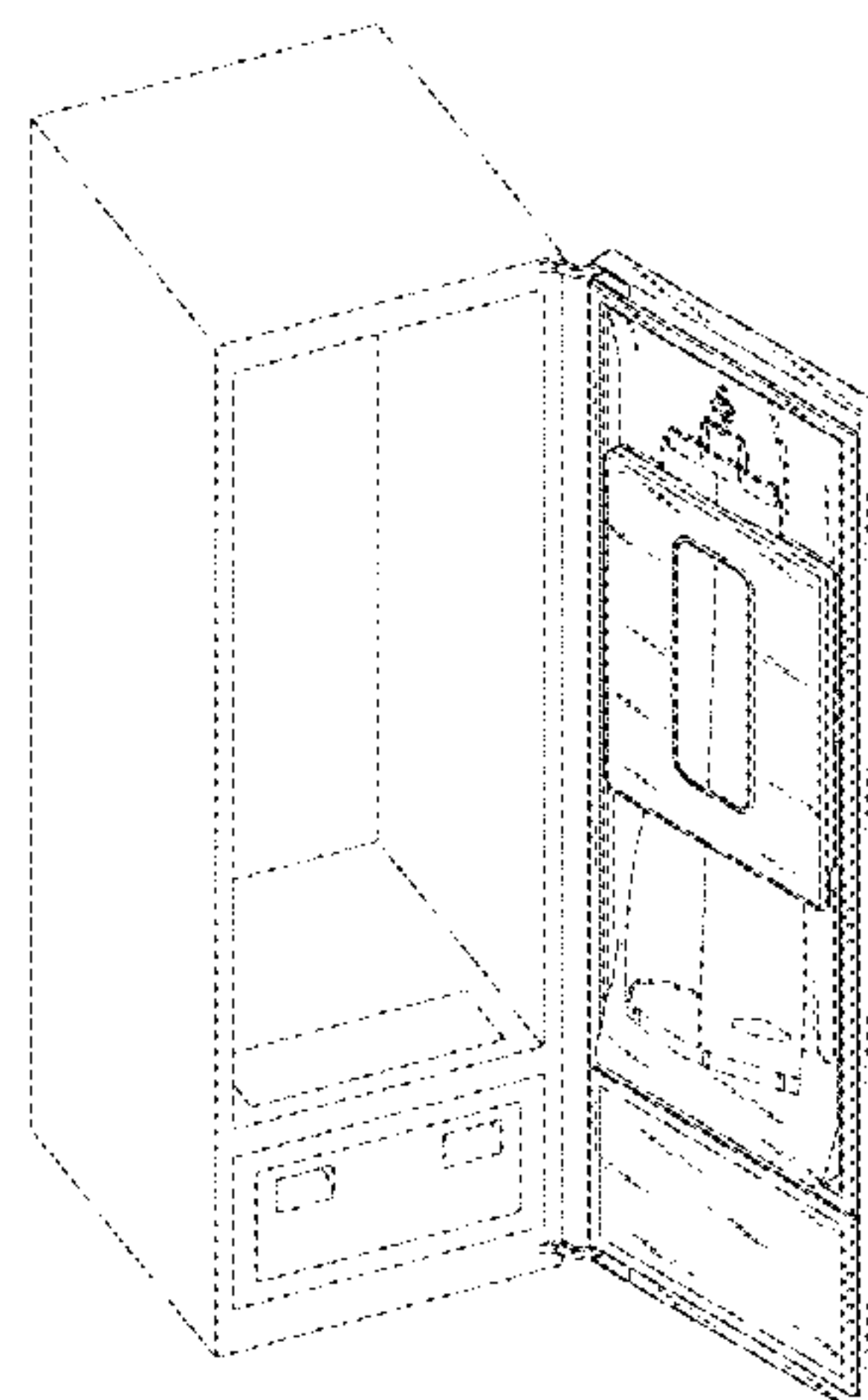
(57) **CLAIM**

The ornamental design for a door for clothing care machine, as shown and described.

**DESCRIPTION**

- 1. Door for clothing care machine
- 1.1 - Perspective view
- 1.2 - Front view
- 1.3 - Rear view
- 1.4 - Left view
- 1.5 - Right view
- 1.6 - Top plan view
- 1.7 - Bottom plan view
- 1.8 - Perspective view
- 1.9 - Perspective view
- 1.10 - Perspective view

(Continued)



In reproductions 1.8 through 1.10, the broken lines illustrate a clothing care machine and trousers.

**1 Claim, 10 Drawing Sheets**

(56)

**References Cited**

U.S. PATENT DOCUMENTS

D659,917	S *	5/2012	Jeon	.....	D32/10
D663,495	S *	7/2012	Song	.....	D32/8
8,215,133	B2 *	7/2012	Kim	.....	D06F 58/10 34/528
D671,282	S *	11/2012	Jeon	.....	D32/10
8,424,141	B2 *	4/2013	Yoo	.....	D06F 39/008 34/389
8,484,868	B2 *	7/2013	Kim	.....	D06F 58/12 211/124
D732,769	S *	6/2015	Chung	.....	D32/25
D732,770	S *	6/2015	Choi	.....	D32/25
D732,771	S *	6/2015	Chung	.....	D32/25
D732,772	S *	6/2015	Chung	.....	D32/25
D732,773	S *	6/2015	Chung	.....	D32/25

D732,774	S *	6/2015	Chung	.....	D32/25
D732,775	S *	6/2015	Chung	.....	D32/25
D732,776	S *	6/2015	Chung	.....	D32/25
D743,127	S *	11/2015	Chung	.....	D32/25
D743,128	S *	11/2015	Chung	.....	D32/25
D743,129	S *	11/2015	Chung	.....	D32/25
D743,130	S *	11/2015	Choi	.....	D32/25
D743,652	S *	11/2015	Chung	.....	D32/25
D743,653	S *	11/2015	Chung	.....	D32/25
D743,654	S *	11/2015	Chung	.....	D32/25
9,359,717	B2 *	6/2016	Lim	.....	D06F 71/36
D768,942	S *	10/2016	Luang	.....	D32/6
2004/0134087	A1 *	7/2004	Meyer	.....	D06F 58/10 34/90
2007/0151302	A1 *	7/2007	Kendall	.....	D06F 29/00 68/3 R
2008/0136295	A1 *	6/2008	Aizpuru Borda	.....	D06F 58/10 312/31
2010/0058813	A1 *	3/2010	Moon	.....	D06F 73/02 68/6
2012/0018461	A1 *	1/2012	Azizian	.....	D06F 73/02 223/66
2012/0240425	A1 *	9/2012	Park	.....	D06F 73/02 34/202

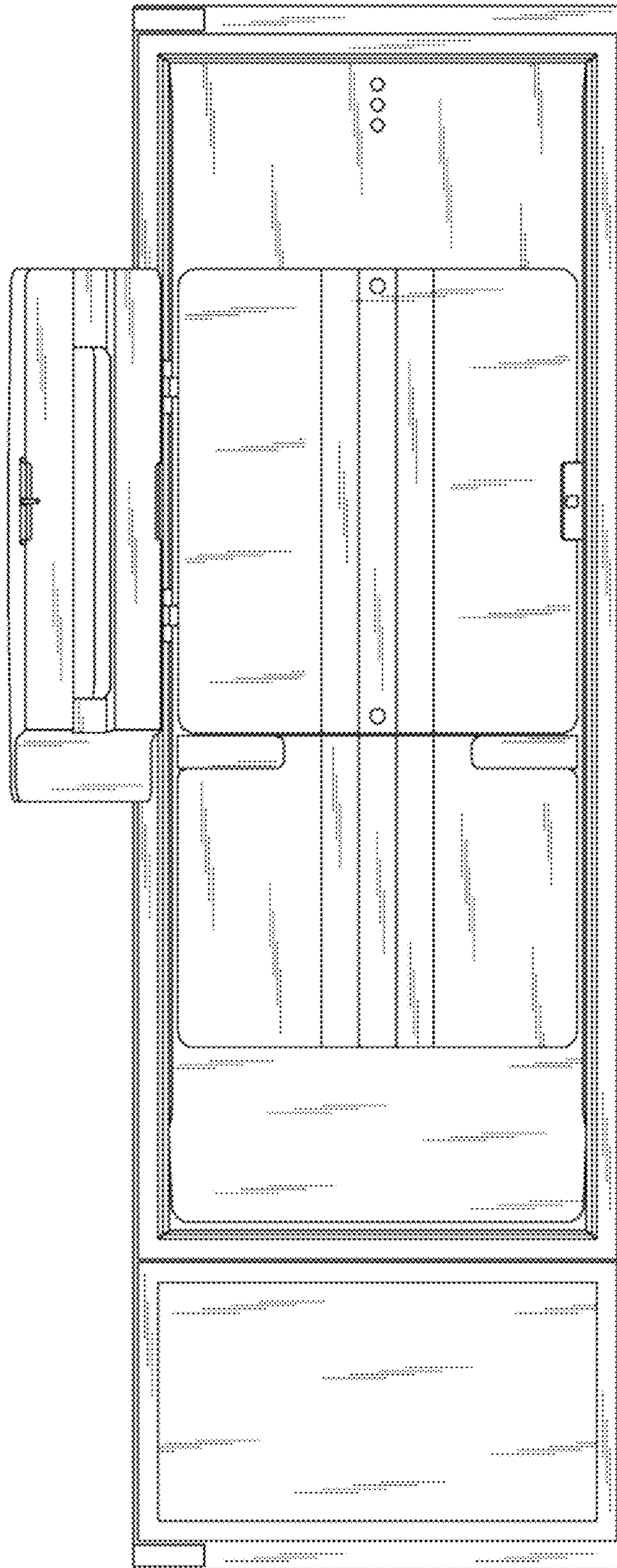
\* cited by examiner

1.1

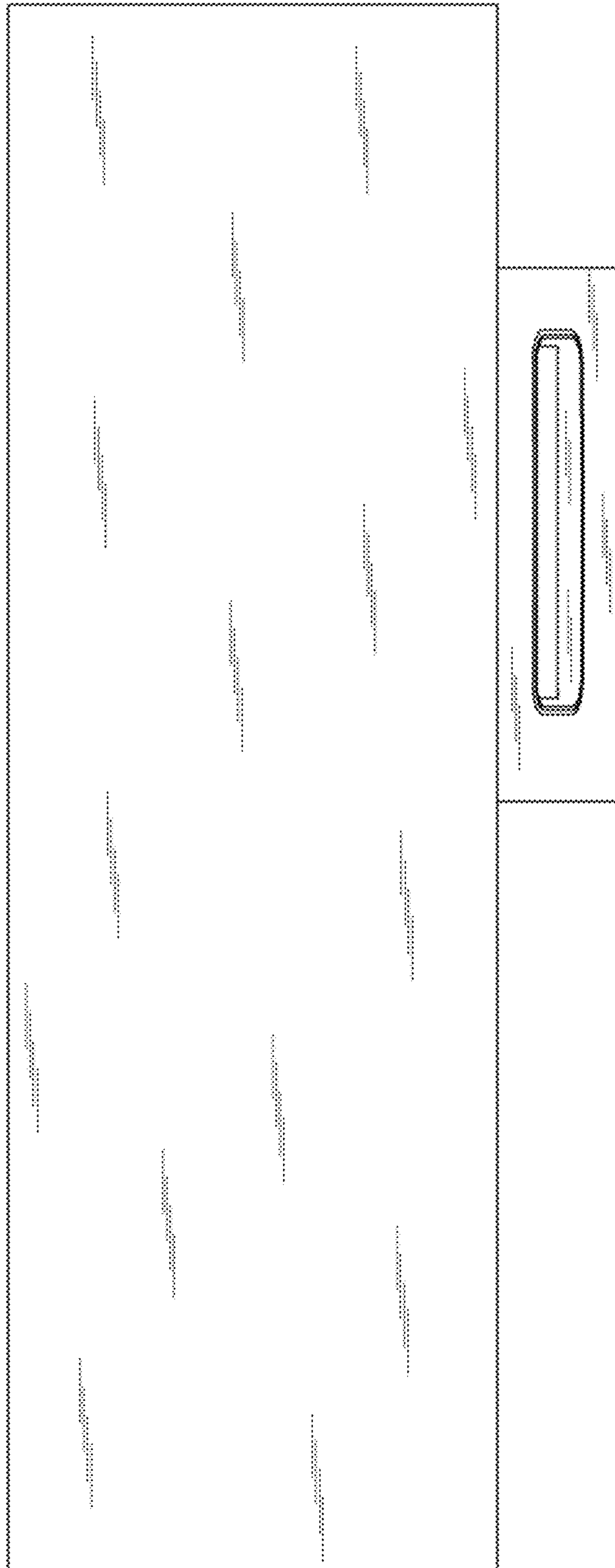




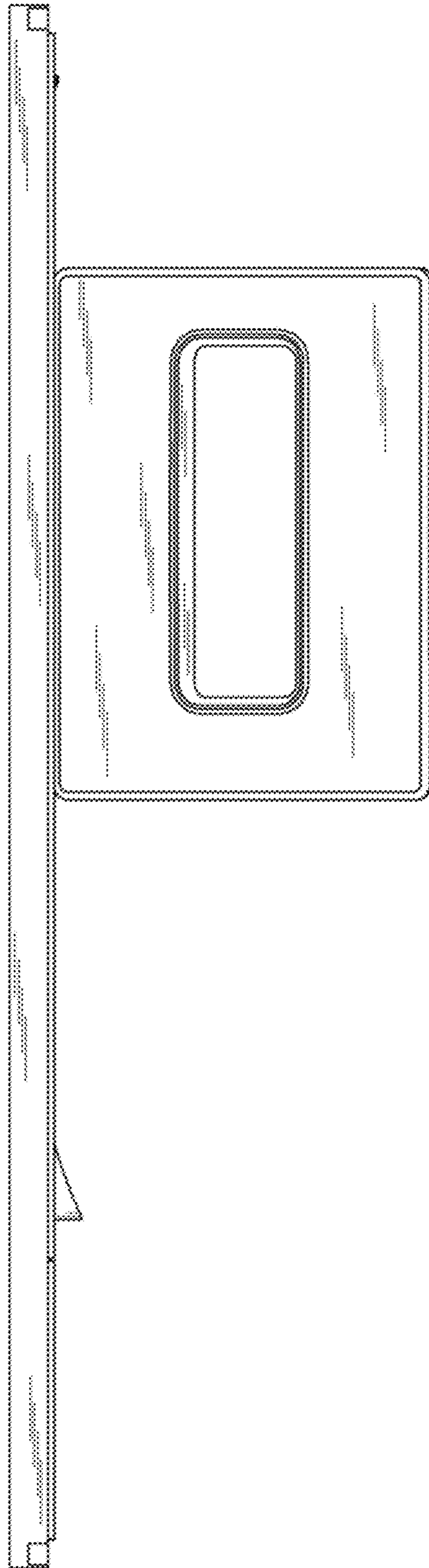
1.2



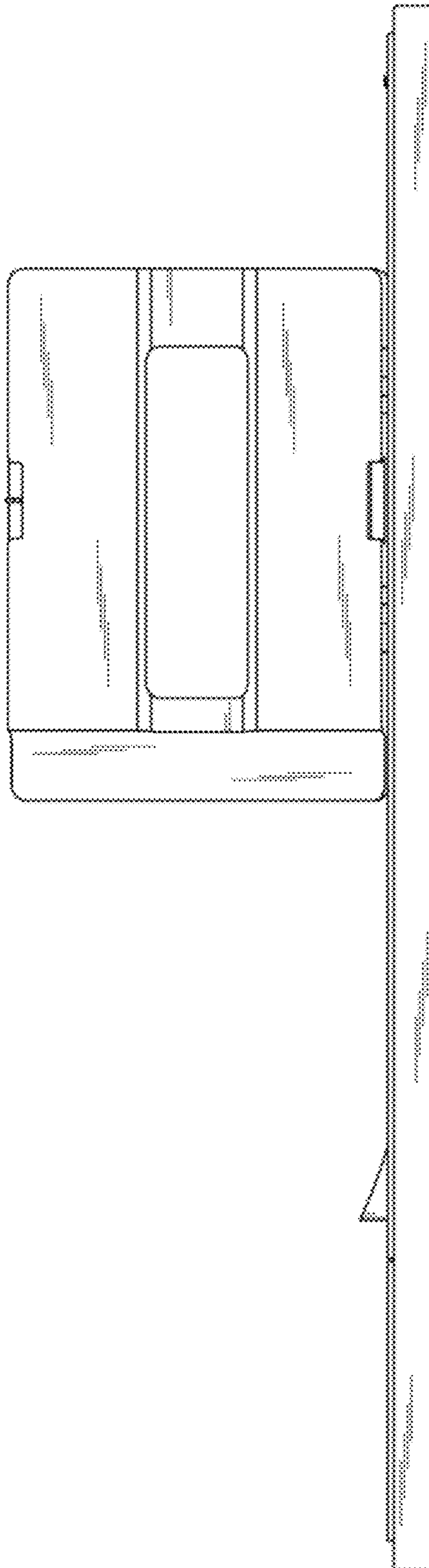
1.3



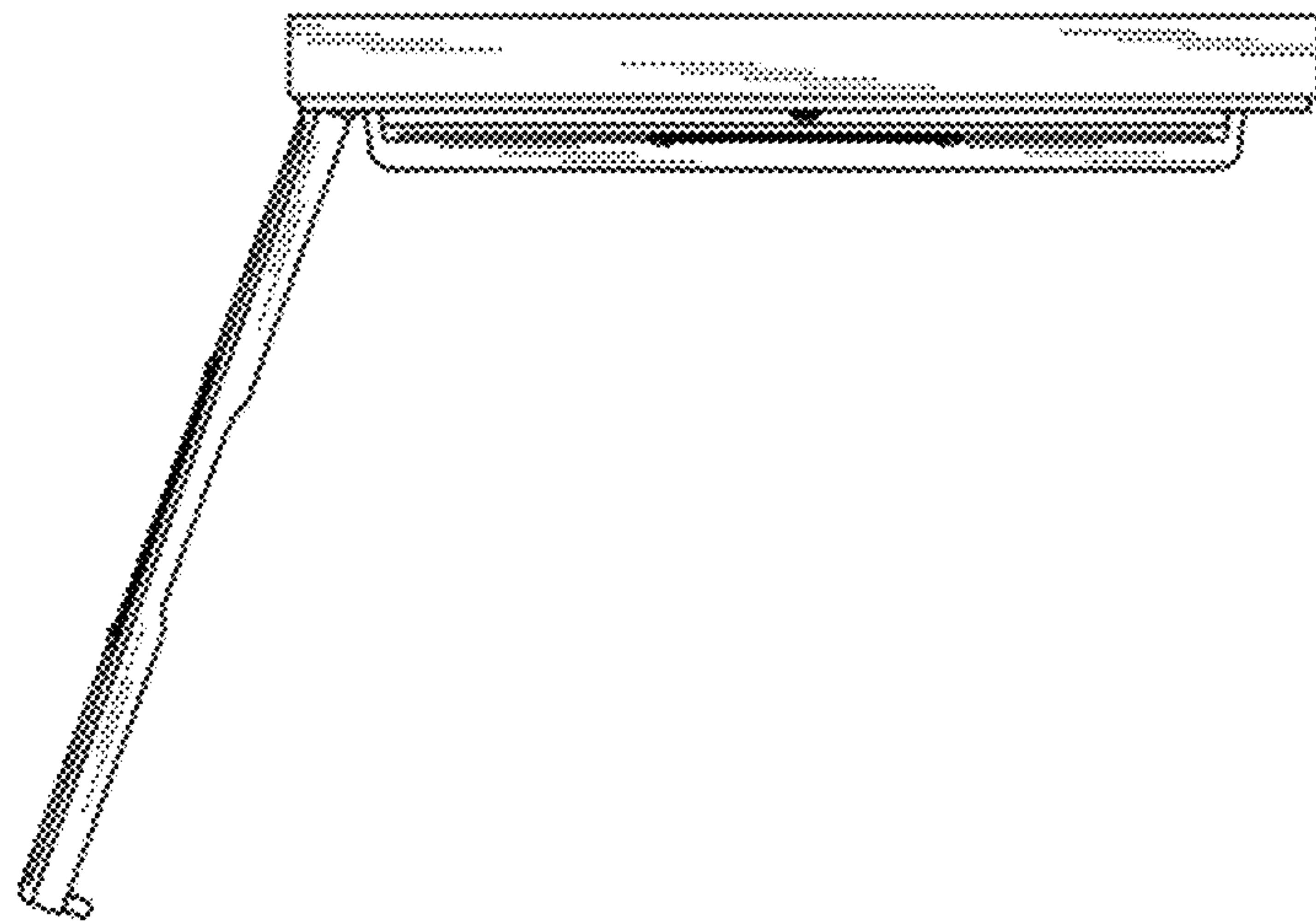
1.4



1.5

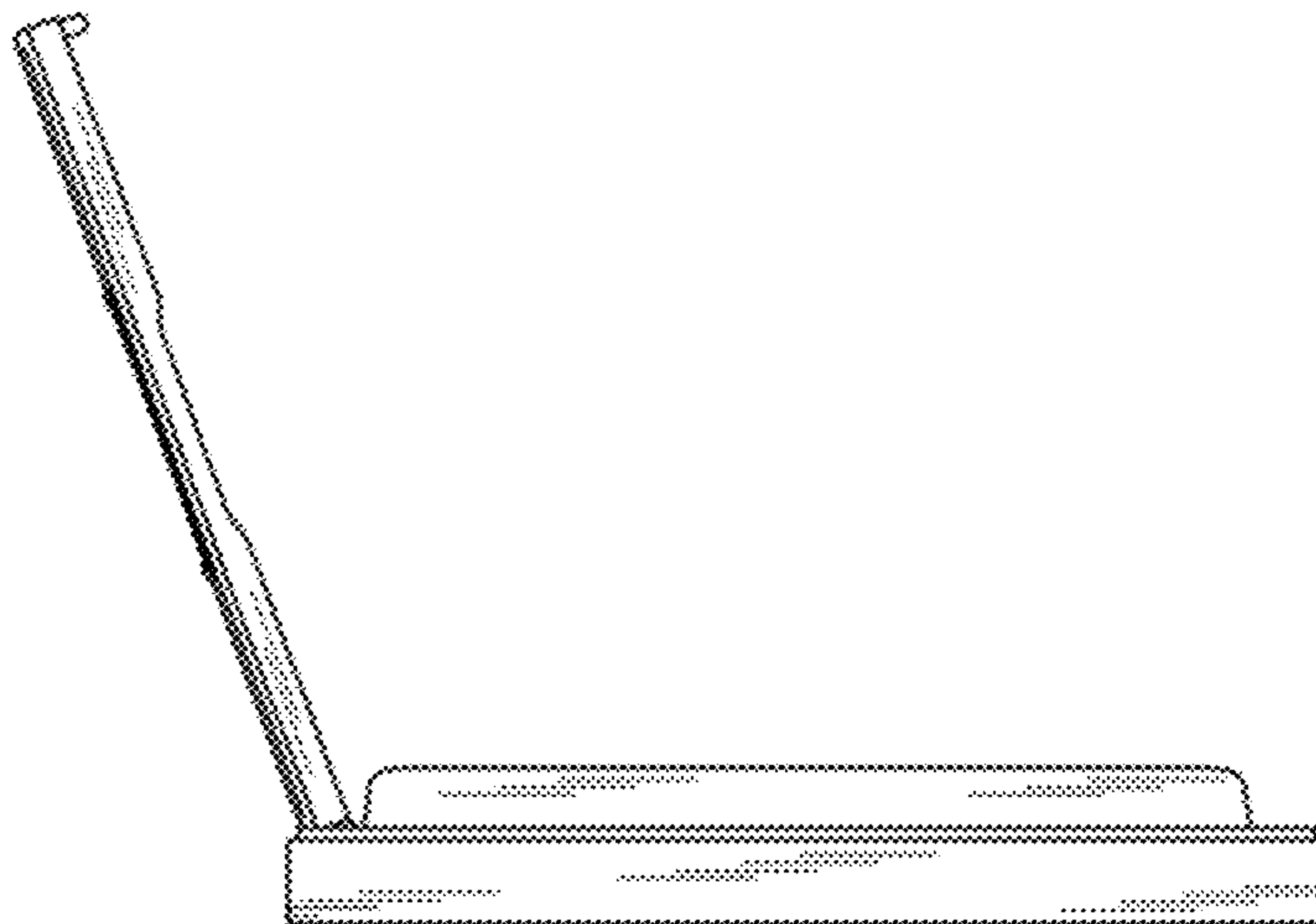


1.6

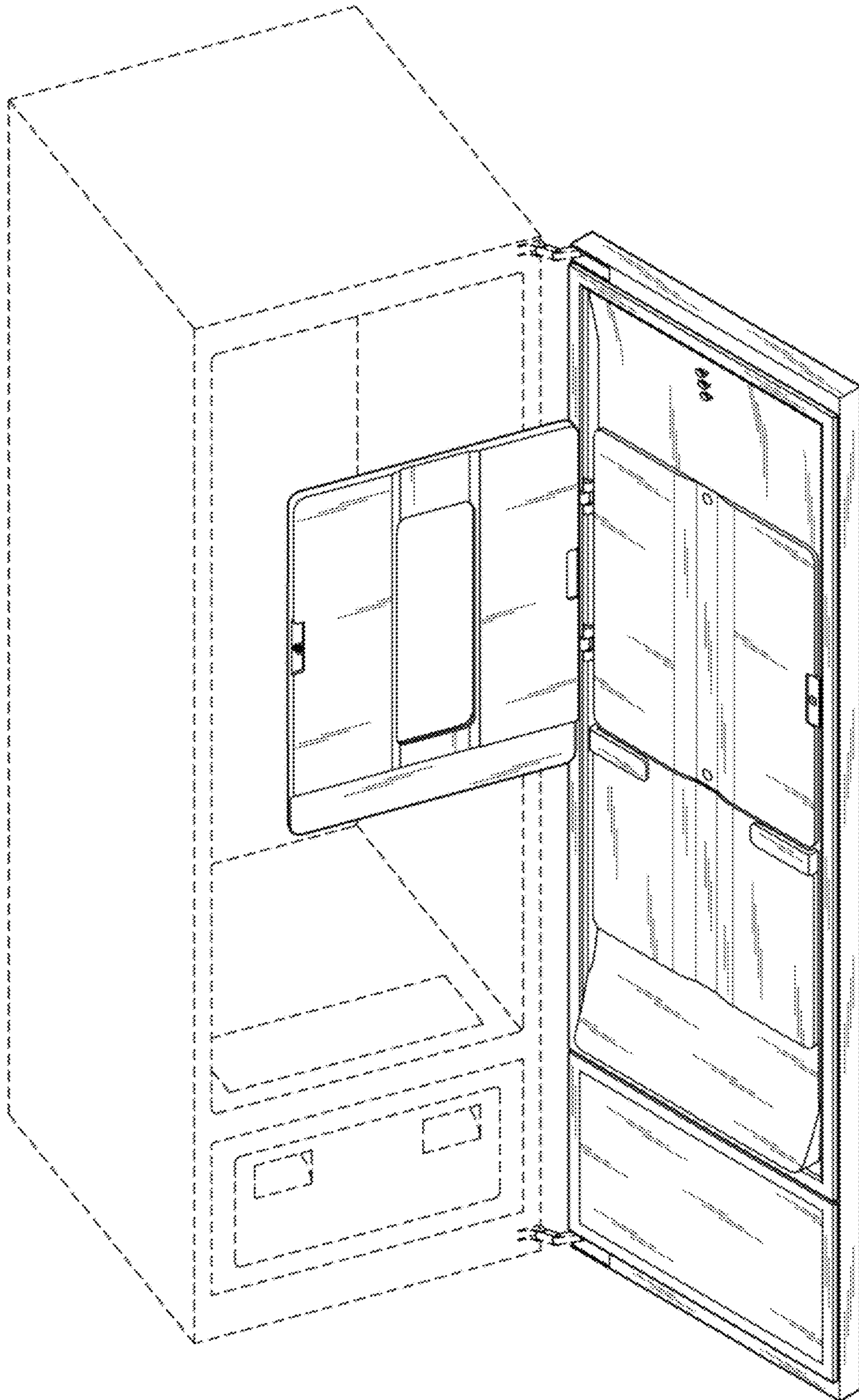




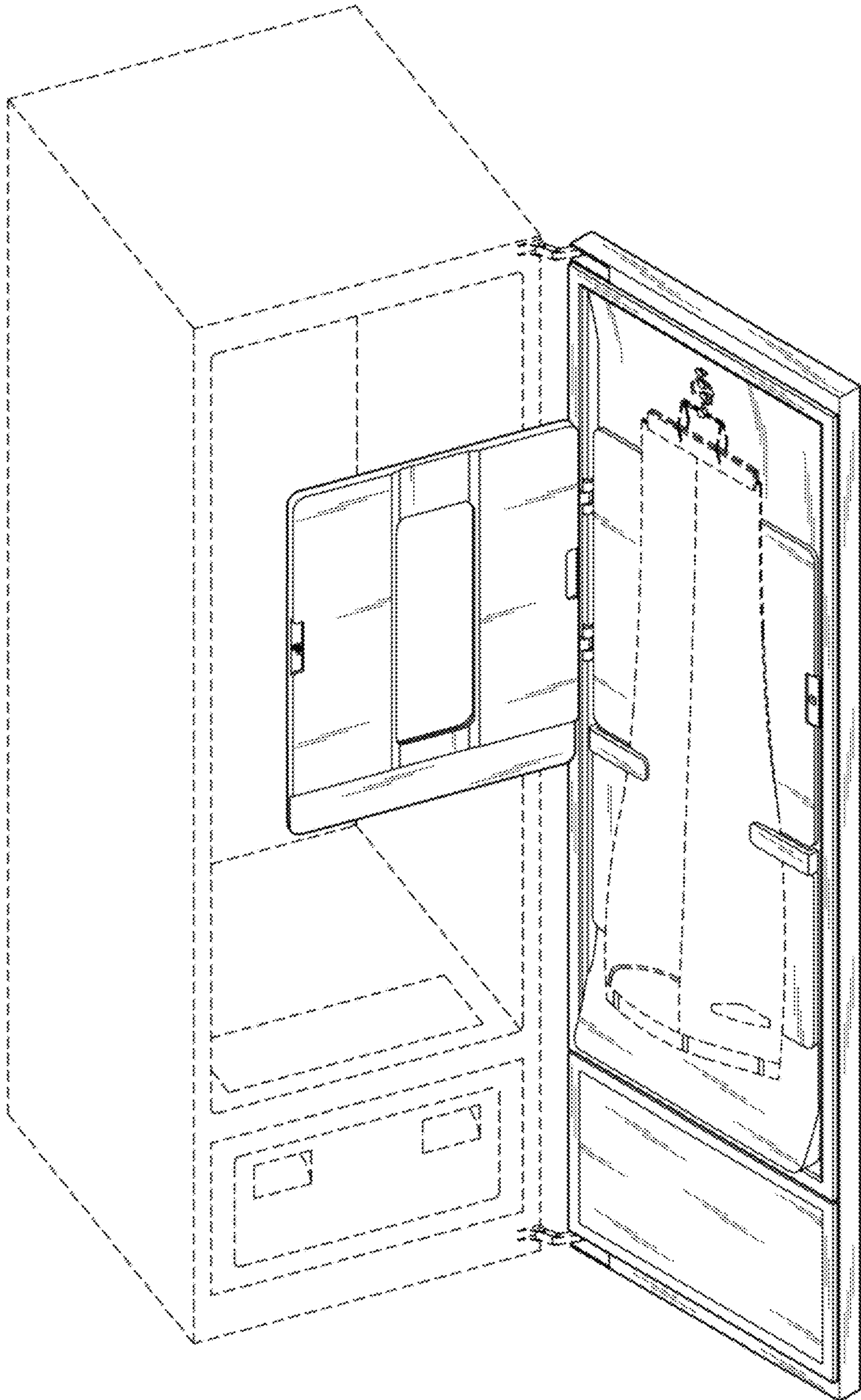
1.7



1.8



1.9





1.10

