



US00D836264S

(12) **United States Design Patent**  
**Chung et al.**

(10) **Patent No.:** **US D836,264 S**

(45) **Date of Patent:** **\*\* Dec. 18, 2018**

(54) **WASHING MACHINE**

(71) Applicant: **LG ELECTRONICS INC.**, Seoul (KR)

(72) Inventors: **Wookjun Chung**, Seoul (KR); **Myungshik Kim**, Seoul (KR); **Yeji Um**, Seoul (KR); **Nerry Son**, Seoul (KR); **Byeongkook Kim**, Seoul (KR)

(73) Assignee: **LG ELECTRONICS INC.**, Seoul (KR)

(\*\*) Term: **15 Years**

(21) Appl. No.: **29/605,348**

(22) Filed: **May 25, 2017**

(30) **Foreign Application Priority Data**

Nov. 28, 2016 (KR) ..... 30-2016-0057227

(51) **LOC (11) Cl.** ..... **15-05**

(52) **U.S. Cl.**  
USPC ..... **D32/6**

(58) **Field of Classification Search**  
USPC ..... D32/1, 5-6, 8, 25, 28, 29  
CPC .... D06F 33/02; D06F 2204/065; D06F 25/00;  
D06F 35/006; D06F 37/28; D06F 39/14;  
D06F 58/203

See application file for complete search history.

(56) **References Cited**

**U.S. PATENT DOCUMENTS**

D474,566 S *	5/2003	Baldwin	.....	D32/25
D521,702 S *	5/2006	No	.....	D32/25
D549,408 S *	8/2007	Lee	.....	D32/25
D569,065 S *	5/2008	Ritterling	.....	D32/25
D620,211 S *	7/2010	Shail	.....	D32/25
D629,168 S *	12/2010	Park	.....	D32/25
8,215,136 B2 *	7/2012	Kim	.....	D06F 17/04
				68/11

D665,544 S *	8/2012	Jeon	.....	D32/6
D667,179 S *	9/2012	Jeon	.....	D32/6
D701,657 S *	3/2014	Chung	.....	D32/6
D701,658 S *	3/2014	Chung	.....	D32/6
D704,909 S *	5/2014	Jeon	.....	D32/25
D759,910 S *	6/2016	Chung	.....	D32/6
D759,911 S *	6/2016	Chung	.....	D32/6

(Continued)

*Primary Examiner* — Michelle E. Wilson

(74) *Attorney, Agent, or Firm* — Birch, Stewart, Kolasch & Birch, LLP

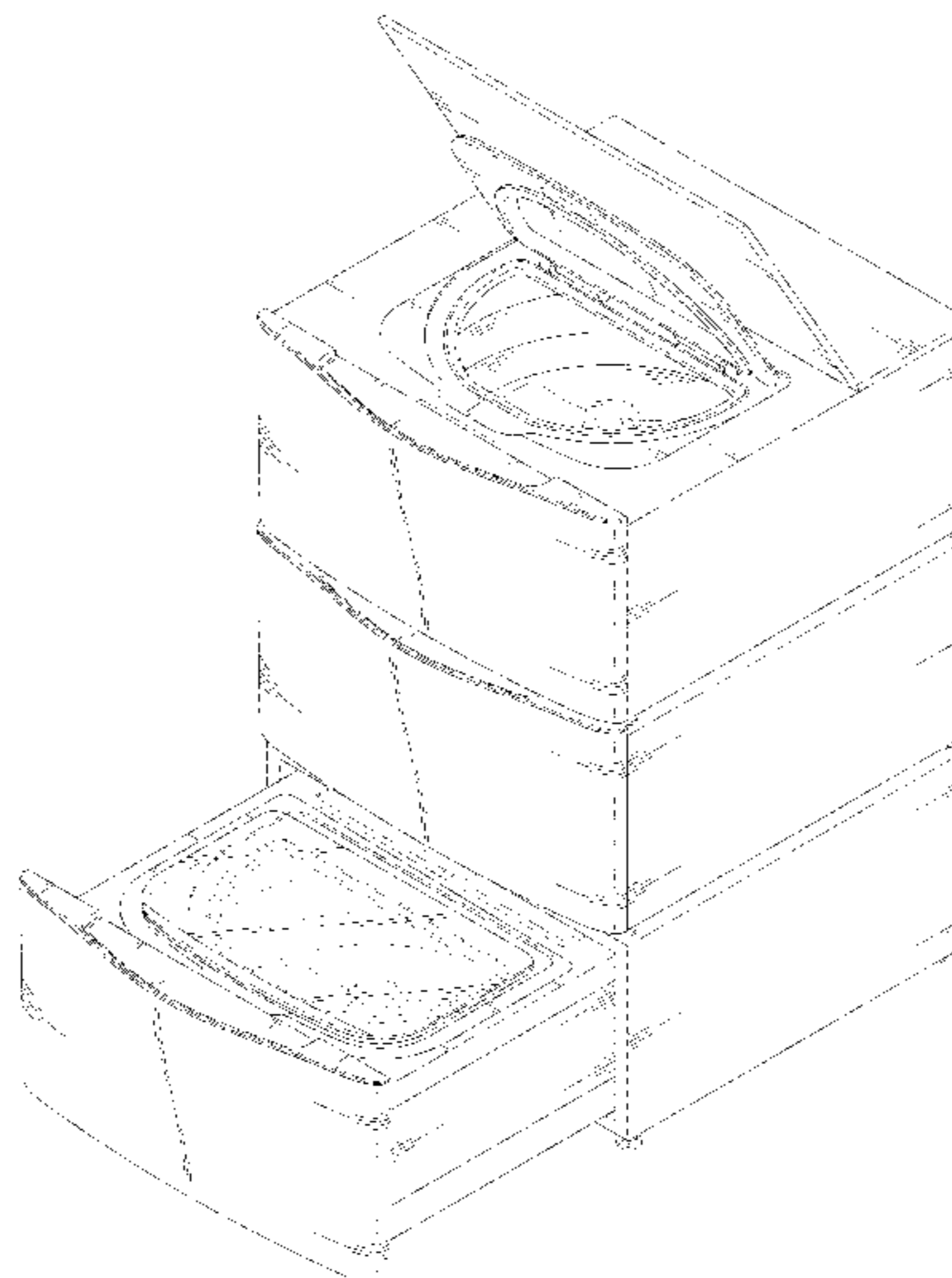
(57) **CLAIM**

The ornamental design for a washing machine, as shown and described.

**DESCRIPTION**

FIG. 1 is a front perspective view of a washing machine showing our new design;  
 FIG. 2 is a front view thereof;  
 FIG. 3 is a rear view thereof;  
 FIG. 4 is a left side view thereof where the right side view is a mirror image;  
 FIG. 5 is a top plan view thereof;  
 FIG. 6 is a bottom plan view thereof;  
 FIG. 7 is a front perspective view thereof in a condition that the cover of the uppermost washing machine has been open;  
 FIG. 8 is a front view of FIG. 7;  
 FIG. 9 is a rear view of FIG. 7;  
 FIG. 10 is a left side view of FIG. 7 where the right side view is a mirror image;  
 FIG. 11 is a top plan view of FIG. 7;  
 FIG. 12 is a bottom plan view of FIG. 7; and,  
 FIG. 13 is a reference view of FIG. 7 showing the state in which the drawer washing machine at the bottom part has been open as well.  
 The broken lines depict portions of the washing machine that form no part of the claimed design.

**1 Claim, 13 Drawing Sheets**



(56)

**References Cited**

U.S. PATENT DOCUMENTS

D792,035 S \* 7/2017 Chung ..... D32/6  
D794,265 S \* 8/2017 Chung ..... D32/6  
D801,604 S \* 10/2017 Lee ..... D32/9  
D811,028 S \* 2/2018 Ha ..... D32/25

\* cited by examiner

FIG. 1

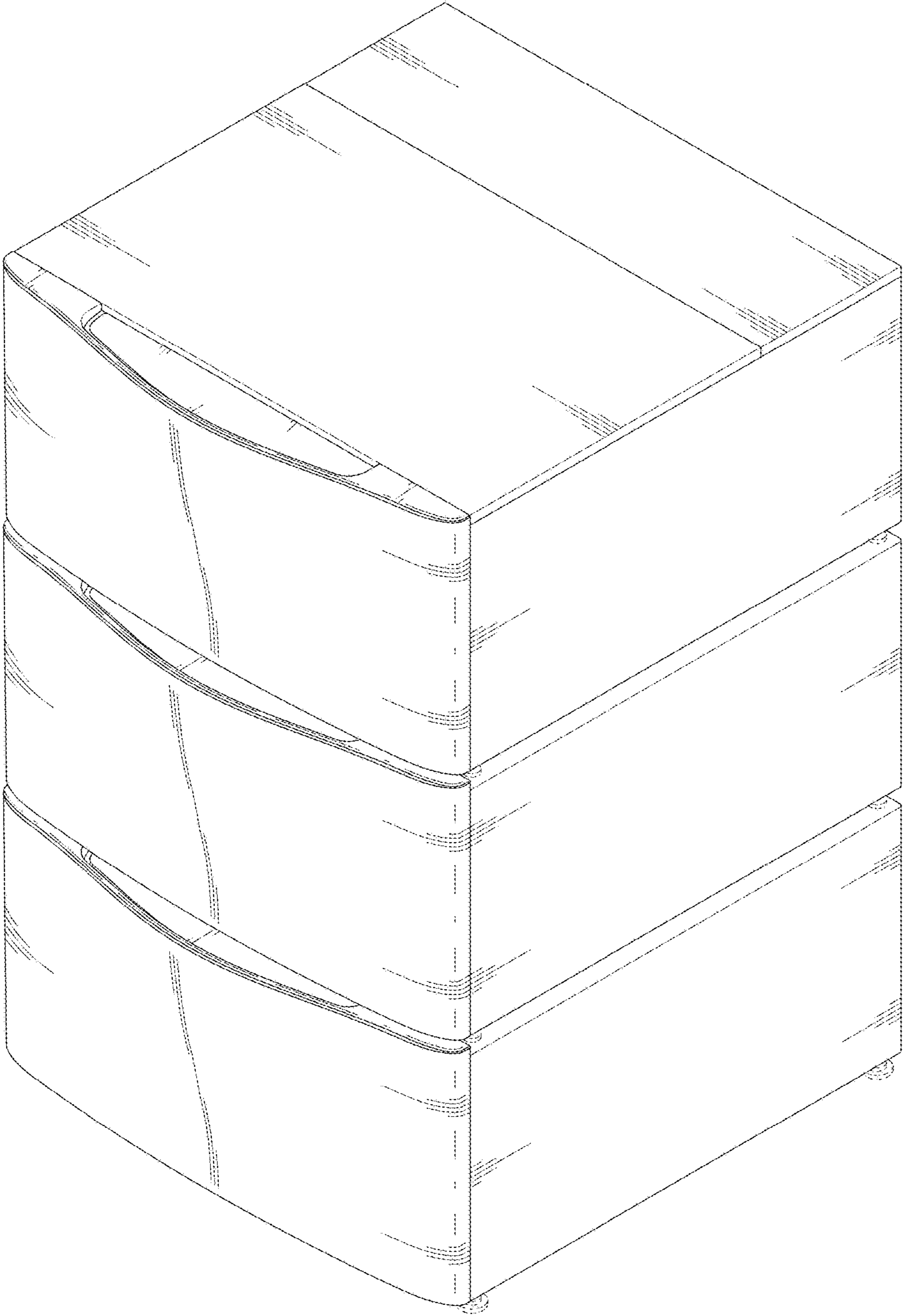


FIG. 2

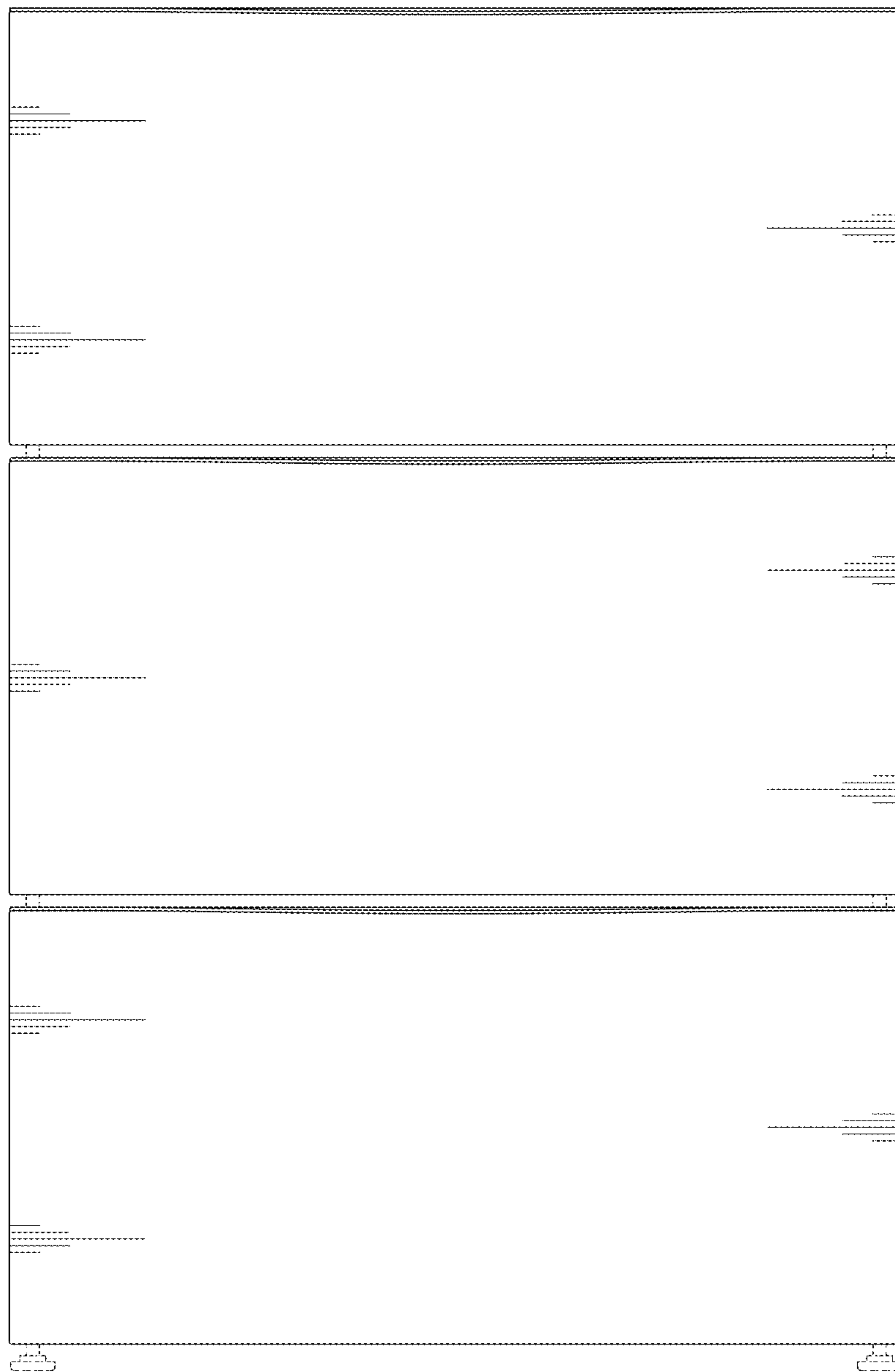


FIG. 3

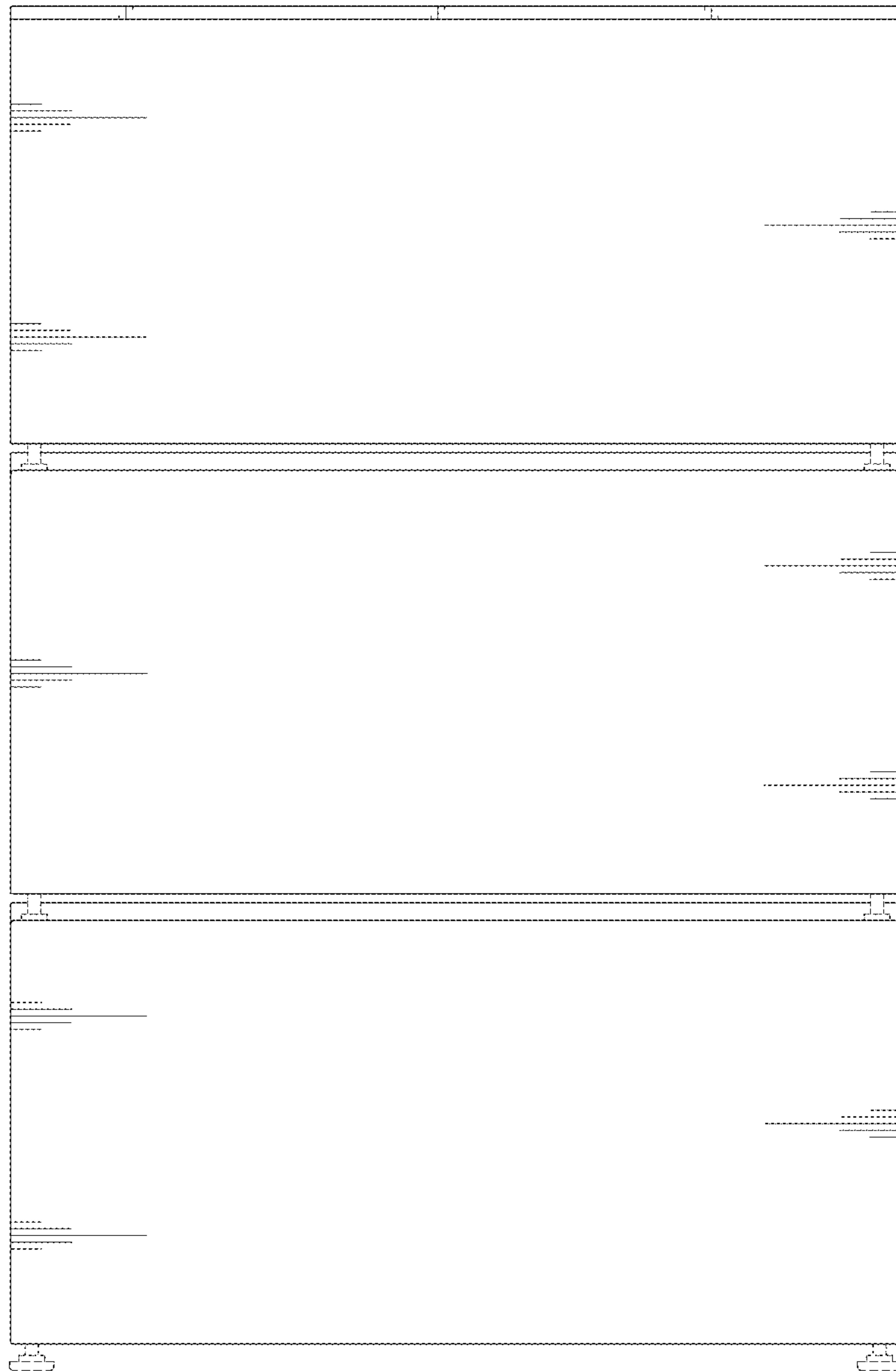


FIG. 4

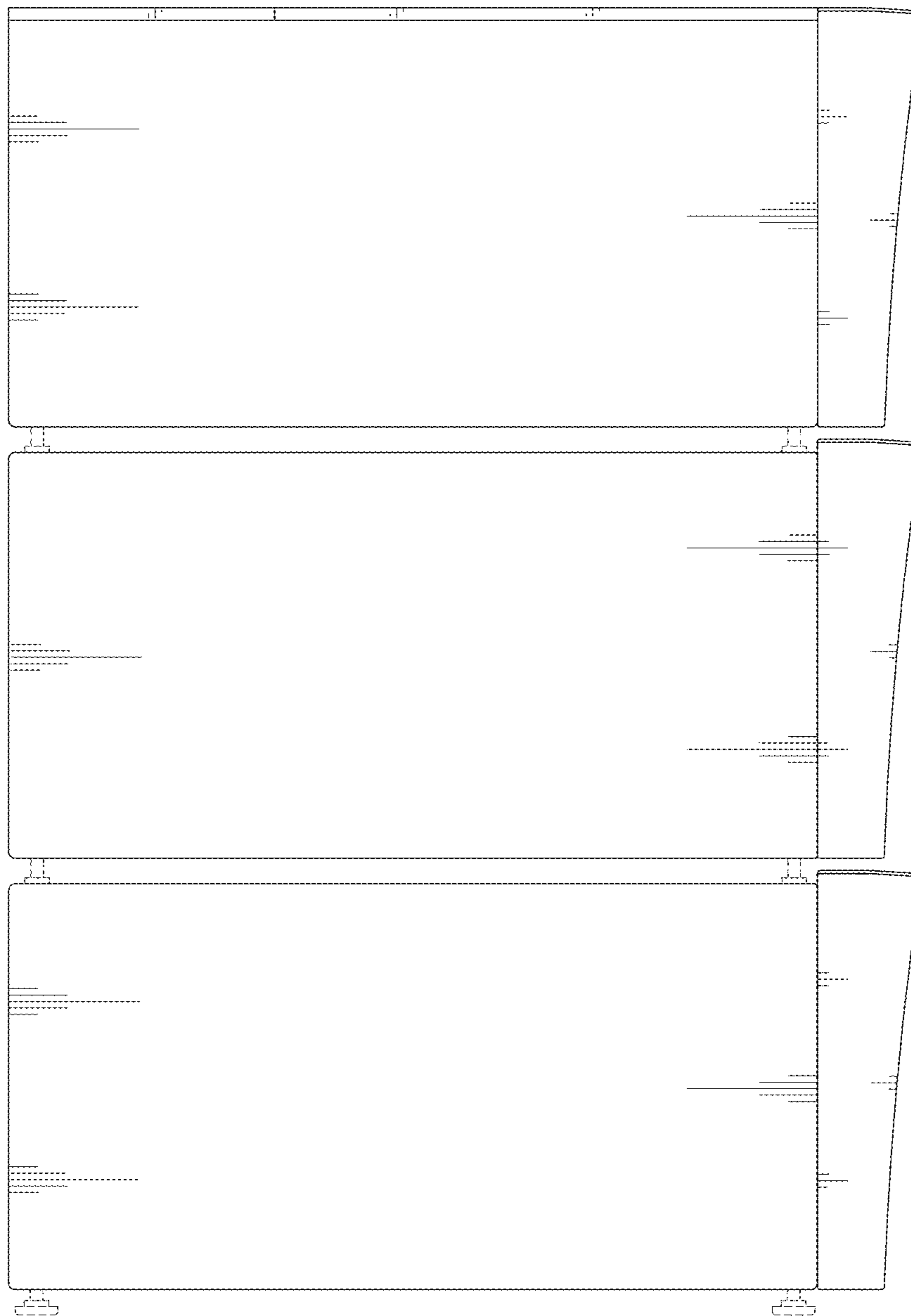


FIG. 5

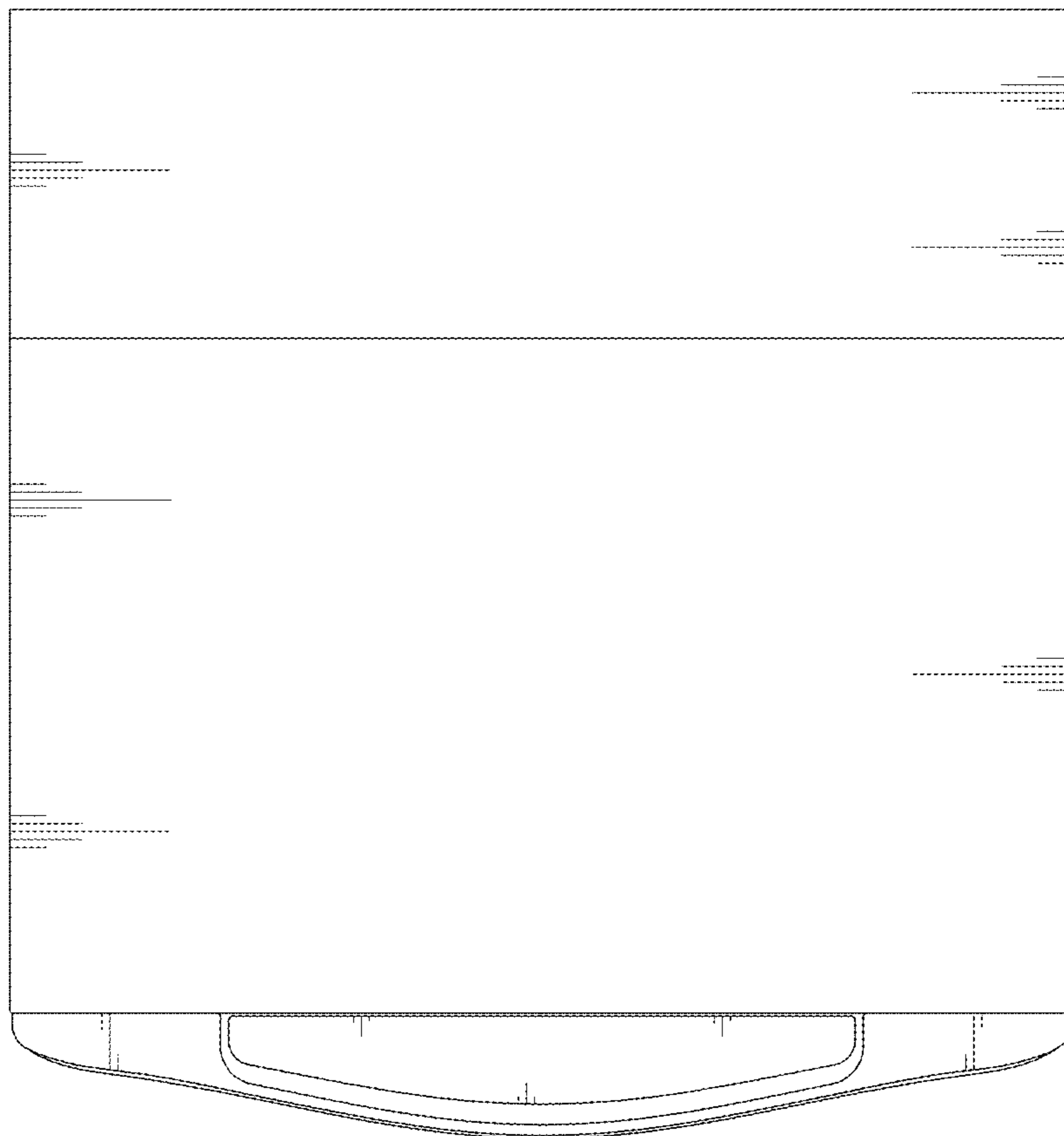


FIG. 6

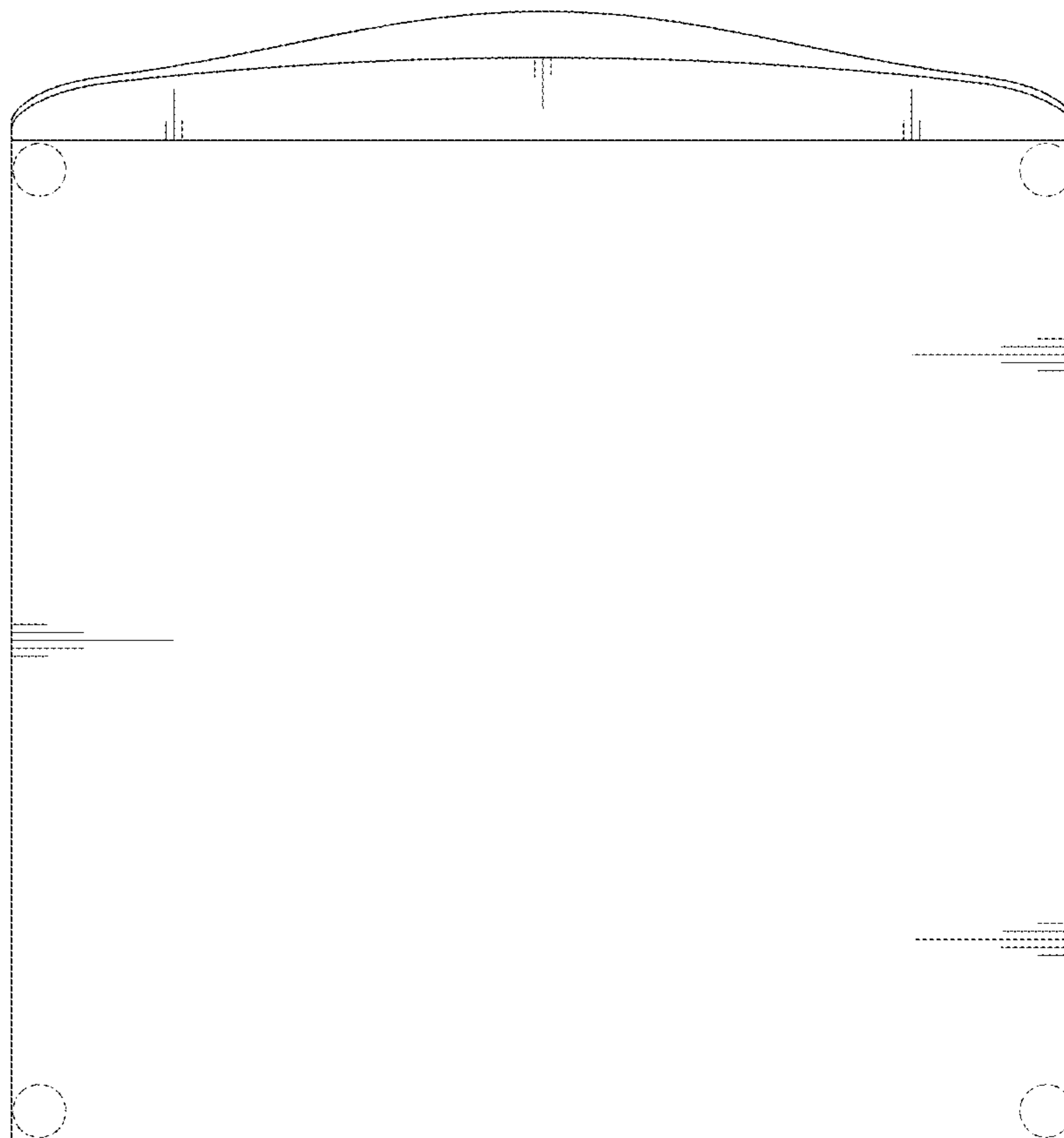




FIG. 7

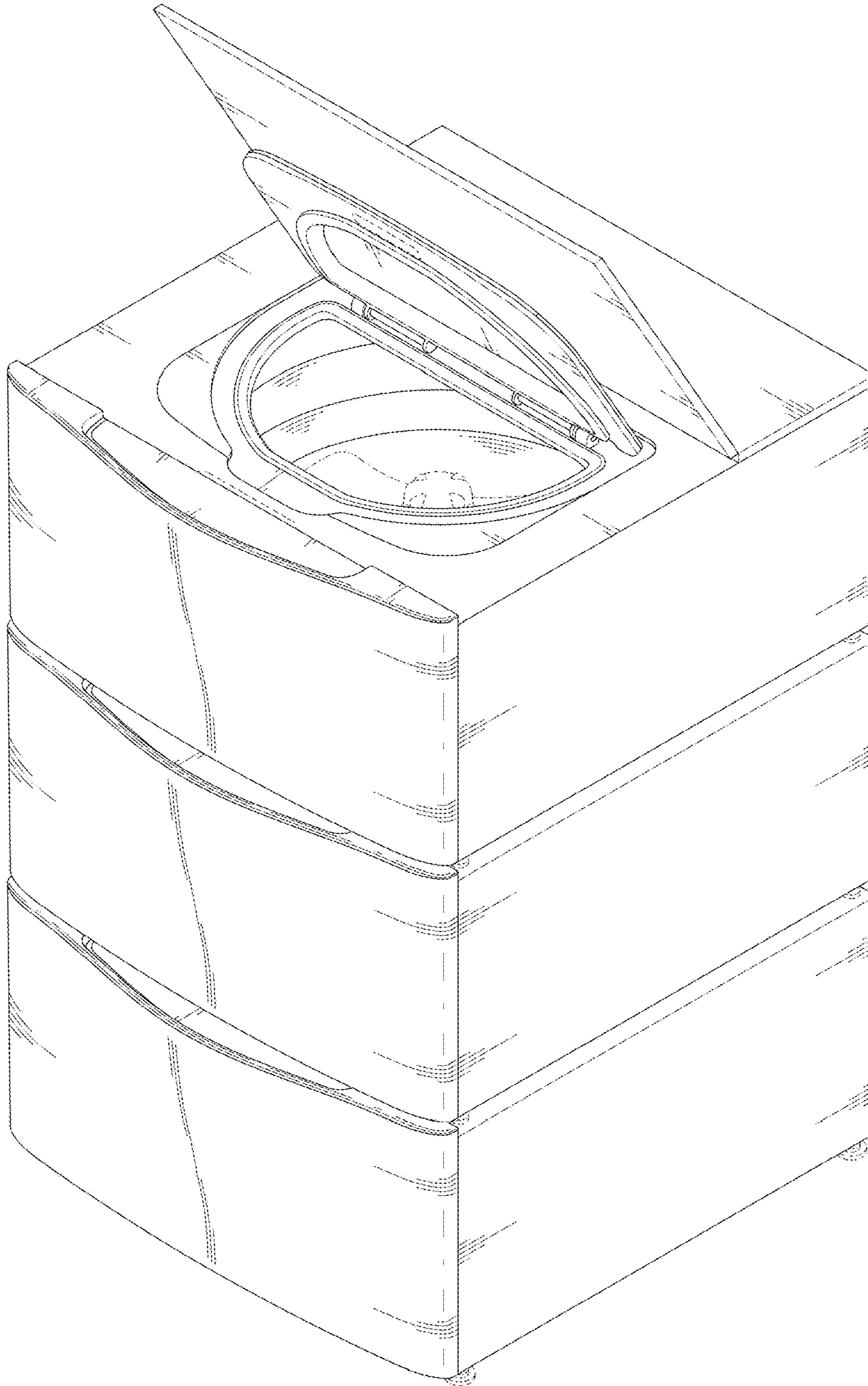


FIG. 8

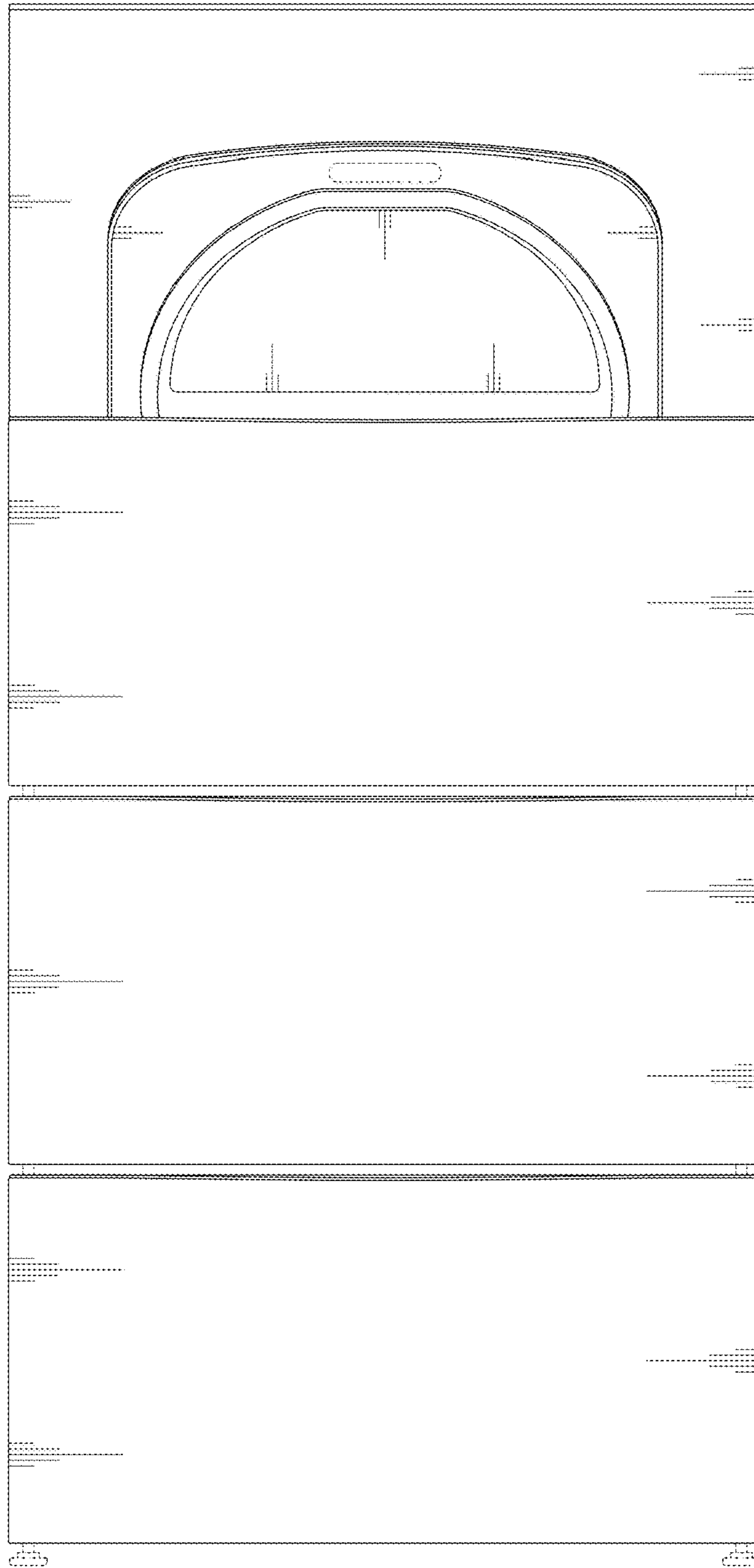


FIG. 9

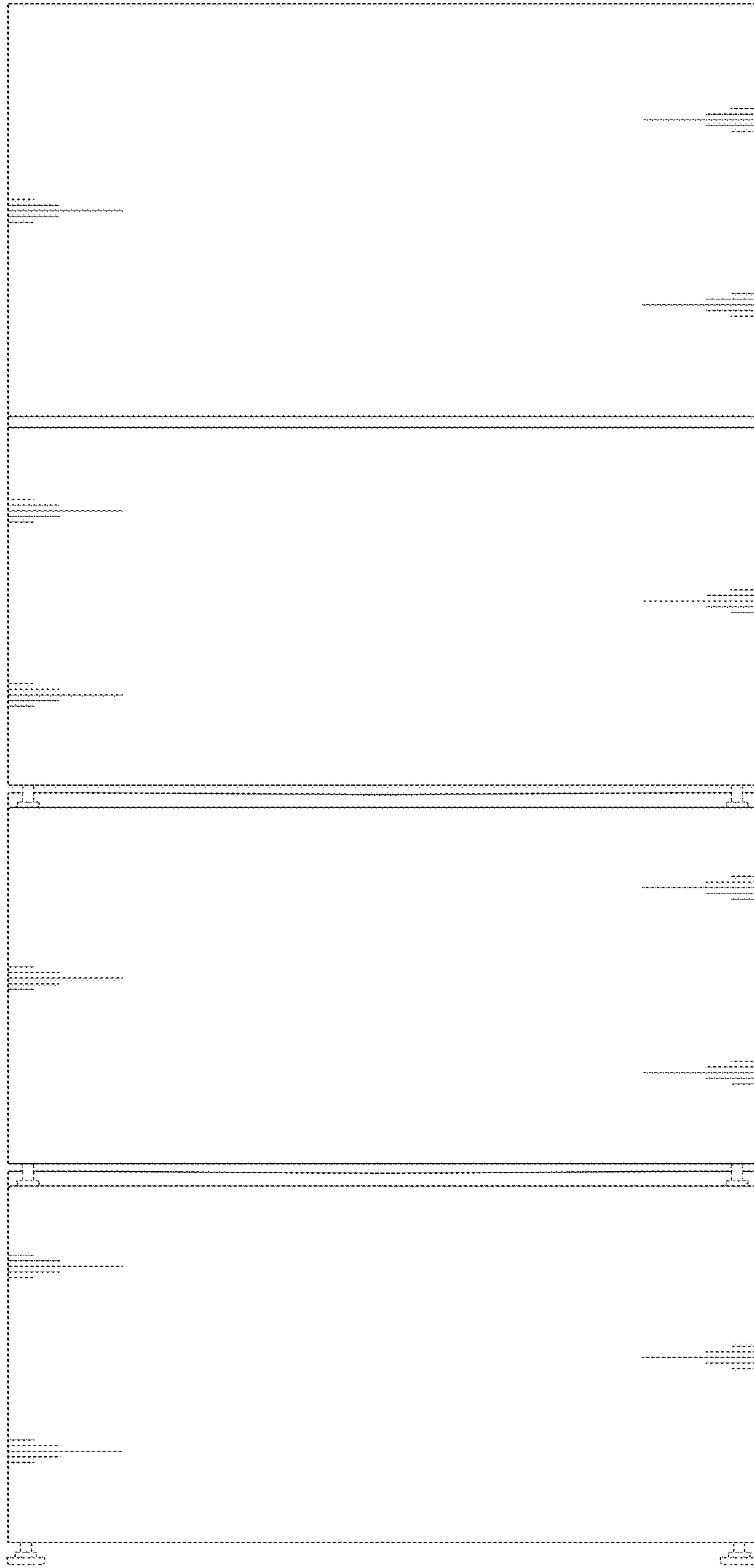


FIG. 10

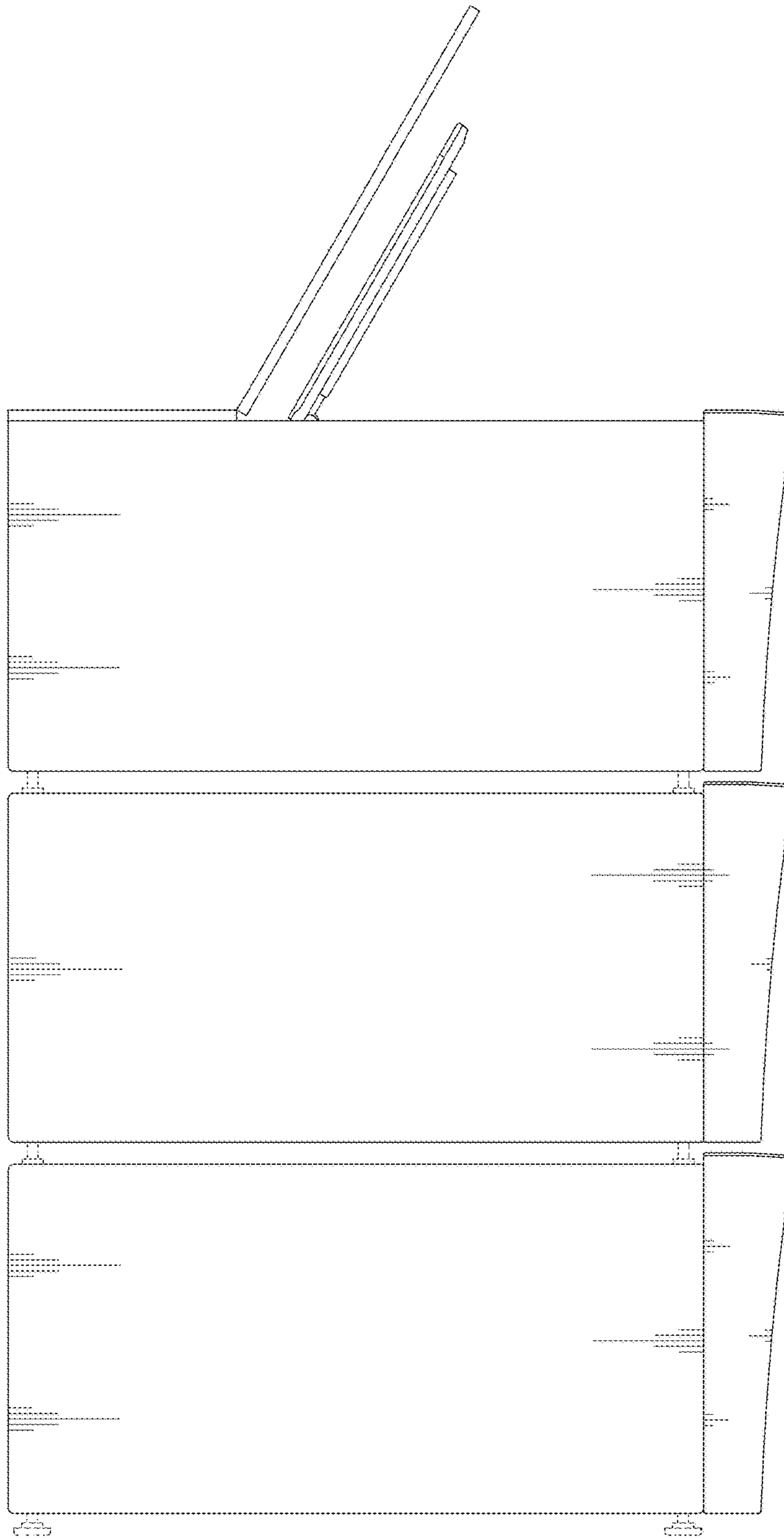


FIG. 11

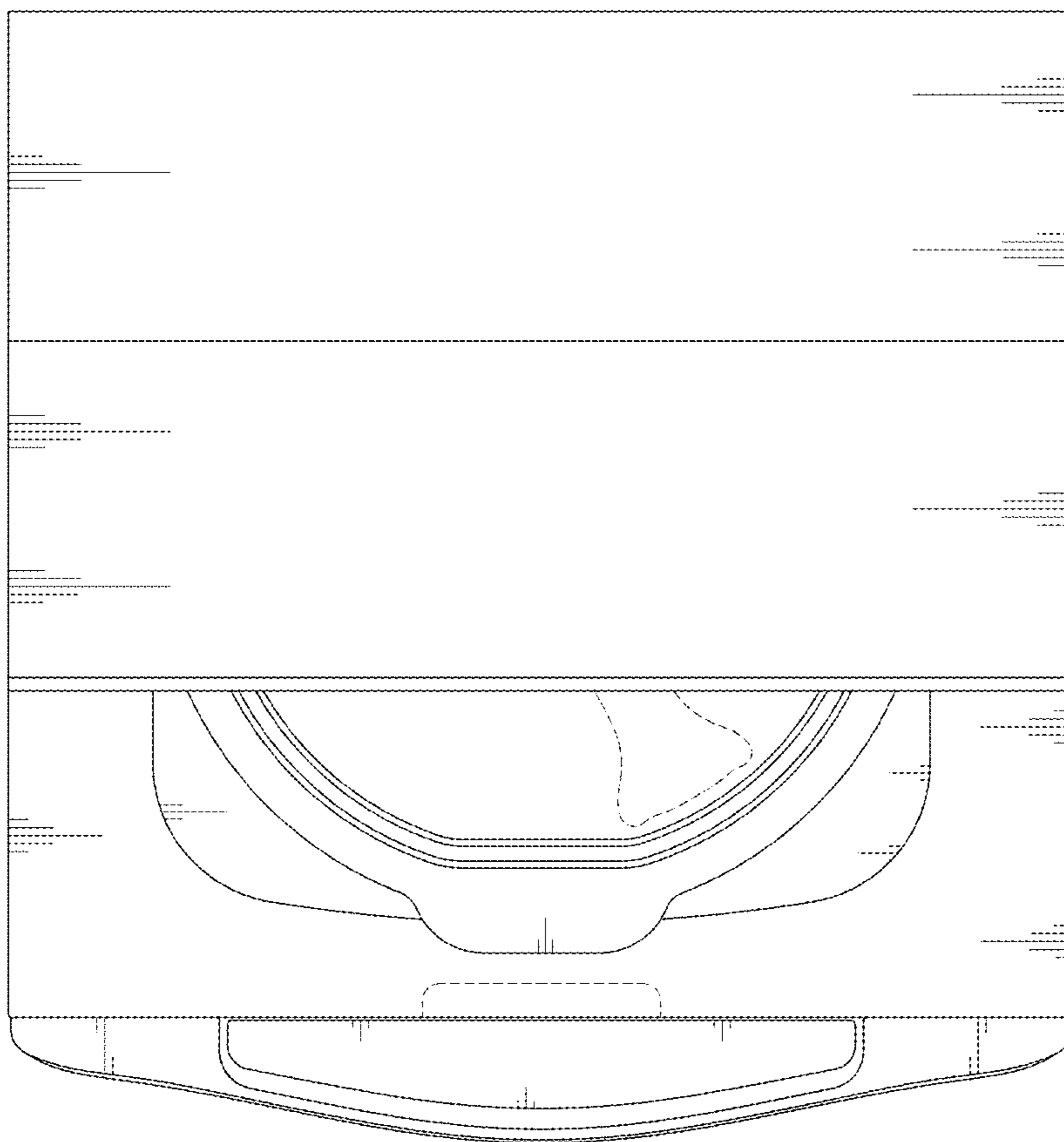


FIG. 12

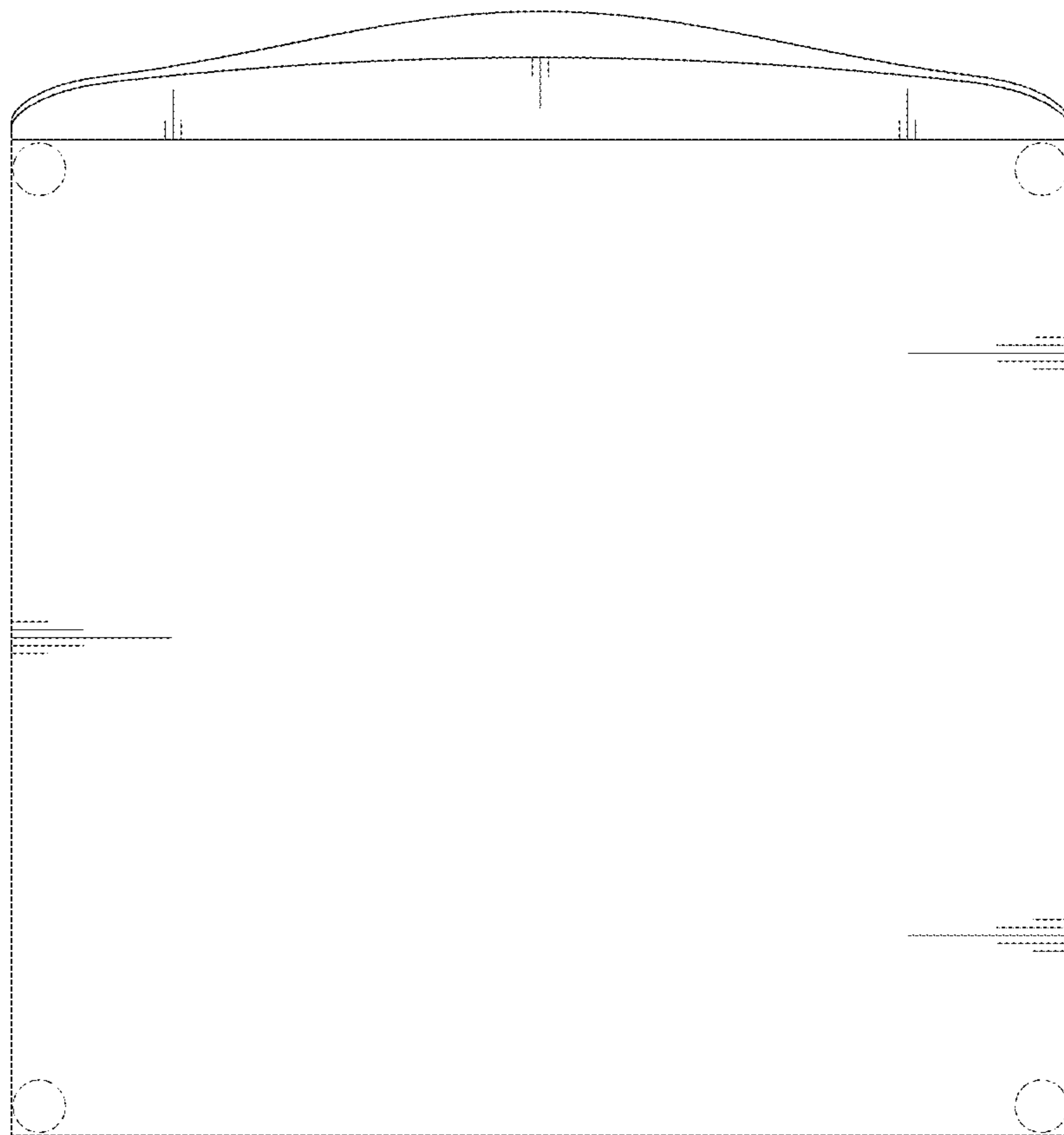


FIG. 13

