



US00D836263S

(12) **United States Design Patent** (10) **Patent No.:** **US D836,263 S**  
**Bixby et al.** (45) **Date of Patent:** **\*\* Dec. 18, 2018**

(54) **FRONTLOAD WASHING/DRYING APPLIANCE**

(71) Applicant: **Whirlpool Corporation**, Benton Harbor, MI (US)

(72) Inventors: **Seth E. Bixby**, Saint Joseph, MI (US); **Andrew C. Kubasiak**, Saint Joseph, MI (US)

(73) Assignee: **Whirlpool Corporation**, Benton Harbor, MI (US)

(\*\*) Term: **14 Years**

(21) Appl. No.: **29/498,834**

(22) Filed: **Aug. 8, 2014**

(51) **LOC (11) Cl.** ..... **15-05**

(52) **U.S. Cl.**  
USPC ..... **D32/6**

(58) **Field of Classification Search**  
USPC ..... D32/1, 5-6, 8, 25, 28, 29  
(Continued)

(56) **References Cited**

U.S. PATENT DOCUMENTS

D429,393 S \* 8/2000 Rief ..... D32/25  
D479,373 S \* 9/2003 Silva ..... D32/25  
(Continued)

*Primary Examiner* — Michelle E. Wilson

(74) *Attorney, Agent, or Firm* — Price Heneveld LLP

(57) **CLAIM**

We claim the ornamental design for a frontload washing/drying appliance, as shown and described.

**DESCRIPTION**

FIG. 1 is a top perspective view of the frontload washing/drying appliance of an alternative embodiment of the present invention;

FIG. 2 is a first side elevation view of the frontload washing/drying appliance of an alternative embodiment of the present invention;

FIG. 3 is a second side elevation view of the frontload washing/drying appliance of an alternative embodiment of the present invention;

FIG. 4 is a third side elevation view of the frontload washing/drying appliance of an alternative embodiment of the present invention;

FIG. 5 is a fourth side elevation view of the frontload washing/drying appliance of an alternative embodiment of the present invention;

FIG. 6 is a top plan view of the frontload washing/drying appliance of an alternative embodiment of the present invention;

FIG. 7 is a bottom plan view of the frontload washing/drying appliance of an alternative embodiment of the present invention;

FIG. 8 is a second top perspective view of the frontload washing/drying appliance of an alternative embodiment of the present invention; and

FIG. 9 is a top perspective view of the frontload washing/drying appliance of a second alternative embodiment of the present invention;

FIG. 10 is a first side elevation view of the frontload washing/drying appliance of a second alternative embodiment of the present invention;

FIG. 11 is a second side elevation view of the frontload washing/drying appliance of a second alternative embodiment of the present invention;

FIG. 12 is a third side elevation view of the frontload washing/drying appliance of a second alternative embodiment of the present invention;

FIG. 13 is a fourth side elevation view of the frontload washing/drying appliance of a second alternative embodiment of the present invention;

FIG. 14 is a top plan view of the frontload washing/drying appliance of a second alternative embodiment of the present invention;

FIG. 15 is a bottom plan view of the frontload washing/drying appliance of a second alternative embodiment of the present invention; and,

(Continued)

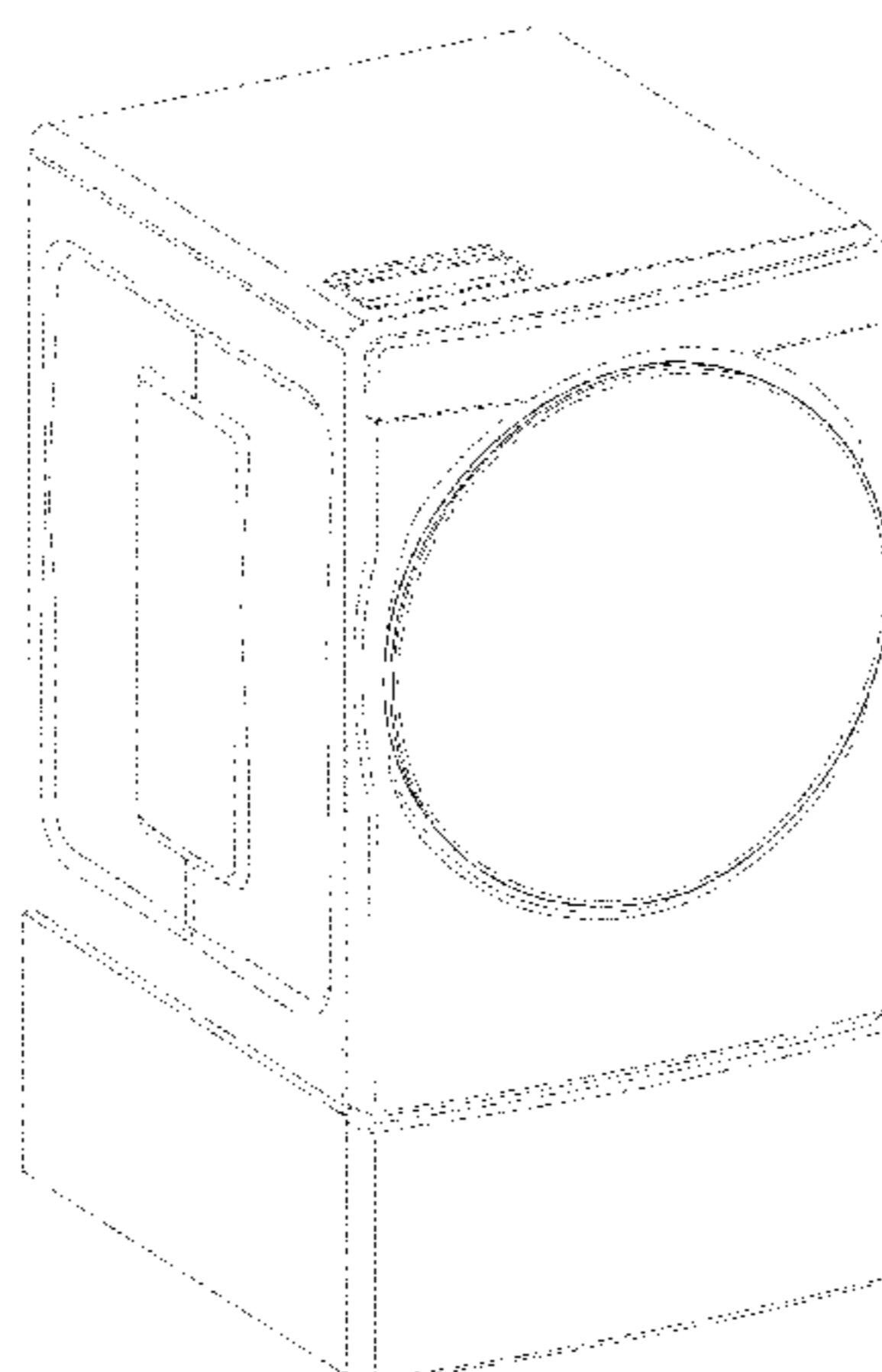


FIG. 16 is second top perspective view of the frontload washing/drying appliance of a second alternative embodiment of the present invention.

The dot-dash lines shown in the embodiment of FIGS. 17-24 are boundary lines that form a part of the claim.

The broken line showing of the frontload washing/drying appliance illustrates the environment of the claimed design and form no part thereof.

With specific reference to FIGS. 4 and 12, the scope of the claim, as exemplified therein, is limited to the claimed portions that are visible in FIGS. 4 and 12. This statement does not serve to limit the scope of the claim with respect to FIGS. 1-3, 5-11 and 13-16.

**1 Claim, 16 Drawing Sheets**

(58) **Field of Classification Search**

CPC ..... D06F 58/00; D06F 58/02; D06F 58/04;  
D06F 58/20; D06F 23/04; D06F 33/02;  
D06F 2204/065; D06F 25/00; D06F  
35/006; D06F 37/28; D06F 39/14; G05B  
19/042

See application file for complete search history.

(56) **References Cited**

U.S. PATENT DOCUMENTS

D501,966 S \* 2/2005 Hwang ..... D32/25  
D517,262 S \* 3/2006 Ha ..... D32/25  
D517,263 S \* 3/2006 Ha ..... D32/25  
D518,256 S \* 3/2006 Kim ..... D32/25  
D544,157 S \* 6/2007 Crookshanks ..... D32/25  
D592,367 S \* 5/2009 Crookshanks ..... D32/25

D616,163 S \* 5/2010 Nam ..... D32/25  
D617,512 S \* 6/2010 DeSalvo ..... D32/25  
D622,918 S \* 8/2010 Choi ..... D32/25  
D631,624 S \* 1/2011 Chung ..... D32/6  
D698,508 S \* 1/2014 Cho ..... D32/25  
D700,409 S \* 2/2014 Takahashi ..... D32/25  
D730,602 S \* 5/2015 Choi ..... D32/25  
D731,131 S \* 6/2015 Ha ..... D32/25  
D732,767 S \* 6/2015 Ha ..... D32/25  
D732,768 S \* 6/2015 Choi ..... D32/25  
D739,097 S \* 9/2015 Qin ..... D32/6  
D746,521 S \* 12/2015 Ha ..... D32/6  
D749,806 S \* 2/2016 Hwang ..... D32/25  
D758,031 S \* 5/2016 Bixby ..... D32/25  
D758,032 S \* 5/2016 Bixby ..... D32/25  
D758,682 S \* 6/2016 Kim ..... D32/25  
D759,909 S \* 6/2016 Kim ..... D32/6  
D759,913 S \* 6/2016 Jeon ..... D32/25  
D760,456 S \* 6/2016 Jeon ..... D32/25  
D762,021 S \* 7/2016 Qin ..... D32/6  
D762,025 S \* 7/2016 Joo ..... D32/6  
D764,722 S \* 8/2016 Jo ..... D32/6  
D767,836 S \* 9/2016 Ha ..... D32/25  
D767,837 S \* 9/2016 Chee ..... D32/25  
D769,553 S \* 10/2016 Lee ..... D32/6  
D770,103 S \* 10/2016 Ha ..... D32/6  
D770,698 S \* 11/2016 Lee ..... D32/6  
D770,707 S \* 11/2016 Ha ..... D32/6  
D771,330 S \* 11/2016 Ha ..... D32/6  
D771,886 S \* 11/2016 Hwang ..... D32/25  
D772,503 S \* 11/2016 Yun ..... D32/25  
D772,506 S \* 11/2016 Bixby ..... D32/25  
D772,507 S \* 11/2016 Bixby ..... D32/25  
D773,755 S \* 12/2016 Hwang ..... D32/6  
D773,757 S \* 12/2016 Hwang ..... D32/6  
D774,715 S \* 12/2016 Kim ..... D32/6  
D774,716 S \* 12/2016 Kim ..... D32/6  
D796,130 S \* 8/2017 Ha ..... D32/25  
D796,131 S \* 8/2017 Ha ..... D32/25

\* cited by examiner

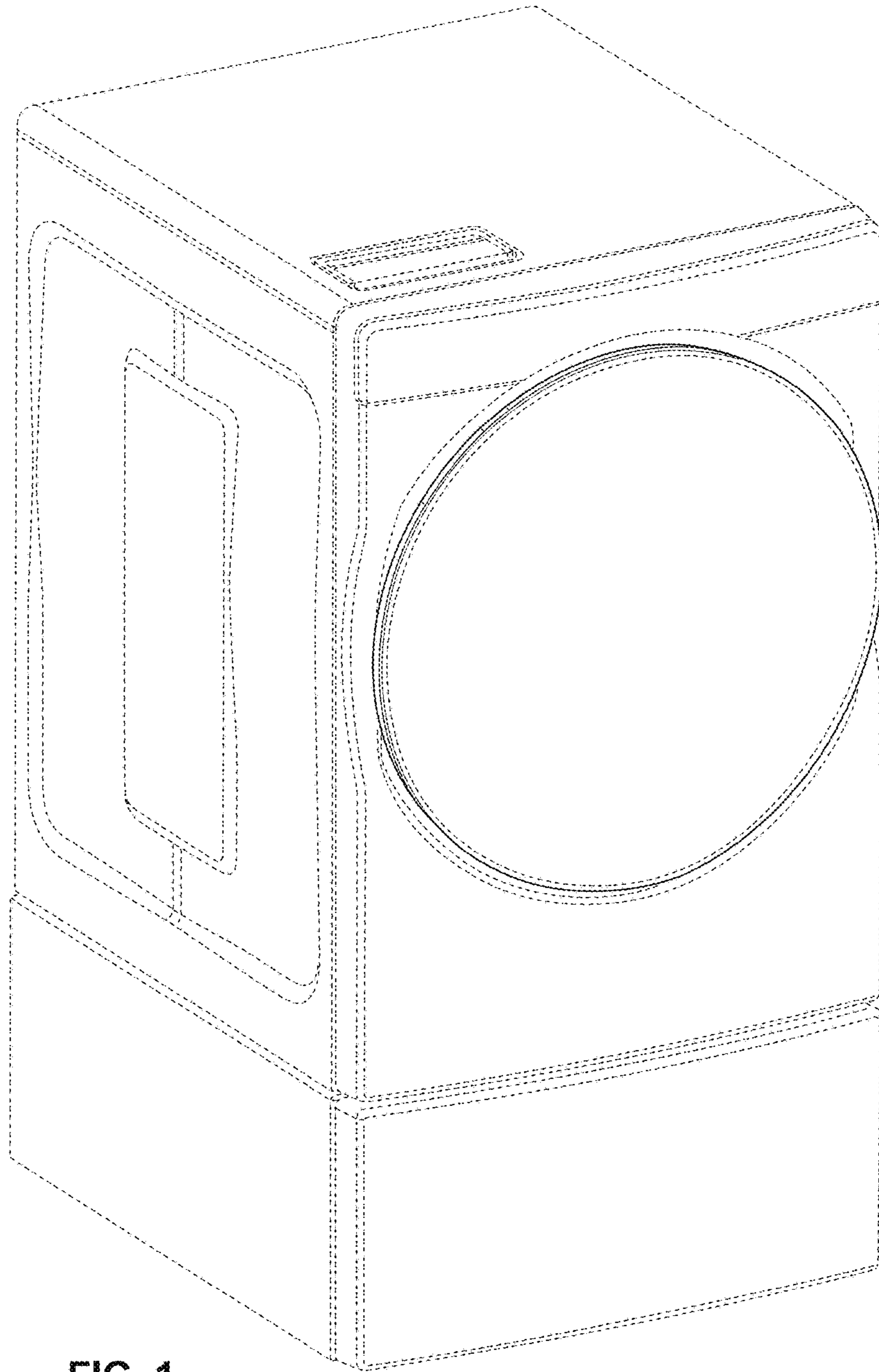


FIG. 1



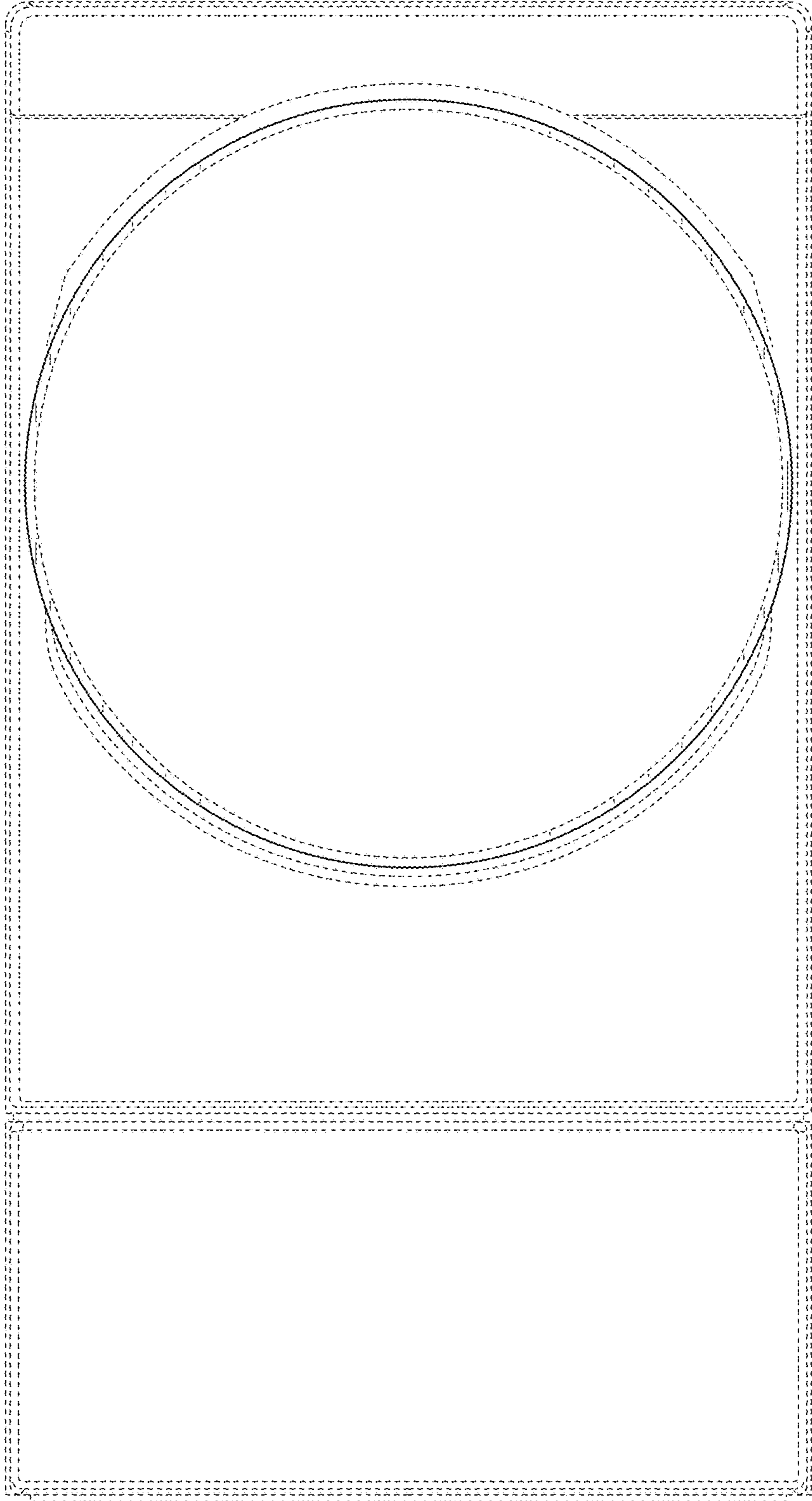


FIG. 2

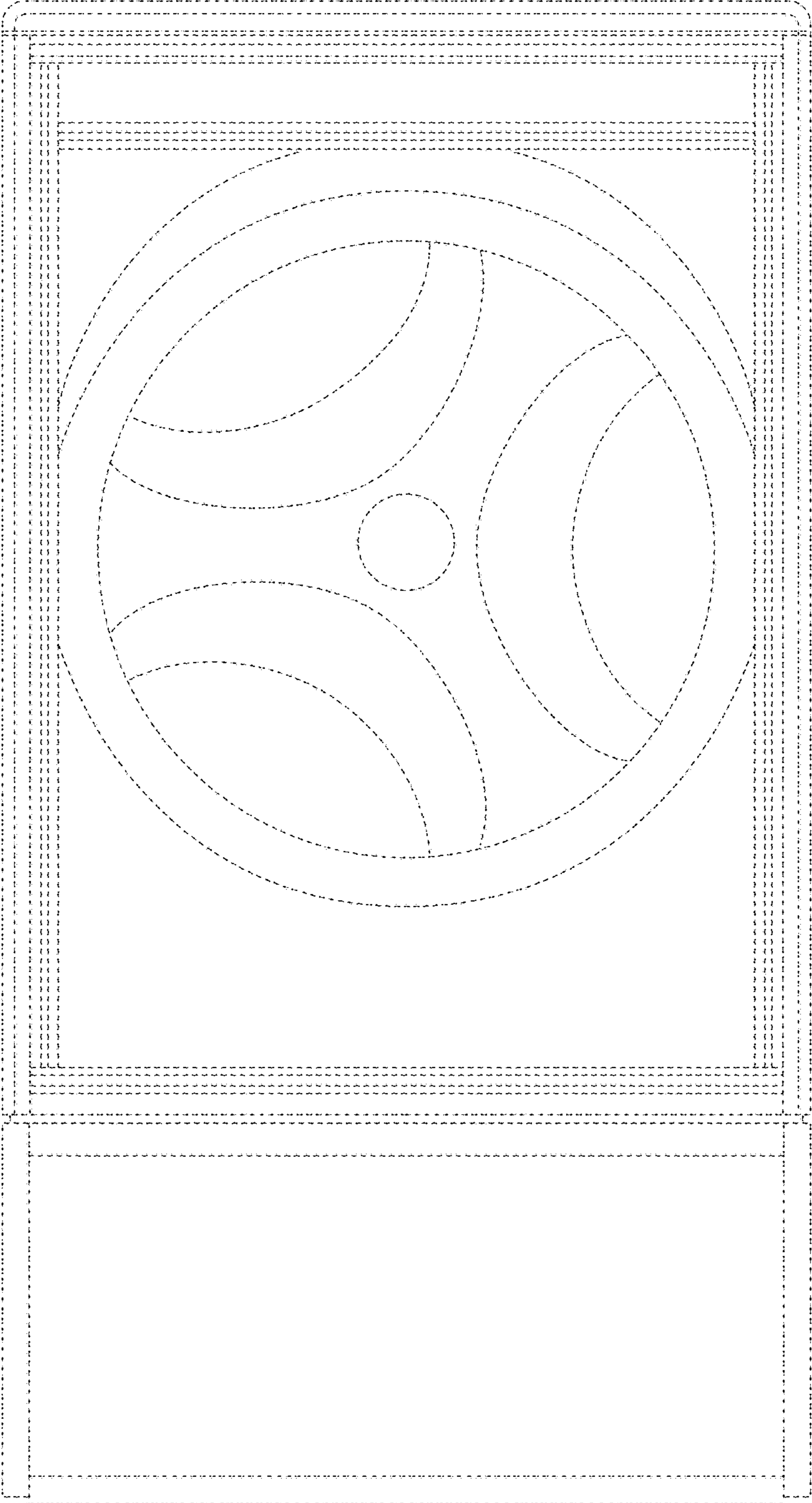


FIG. 3

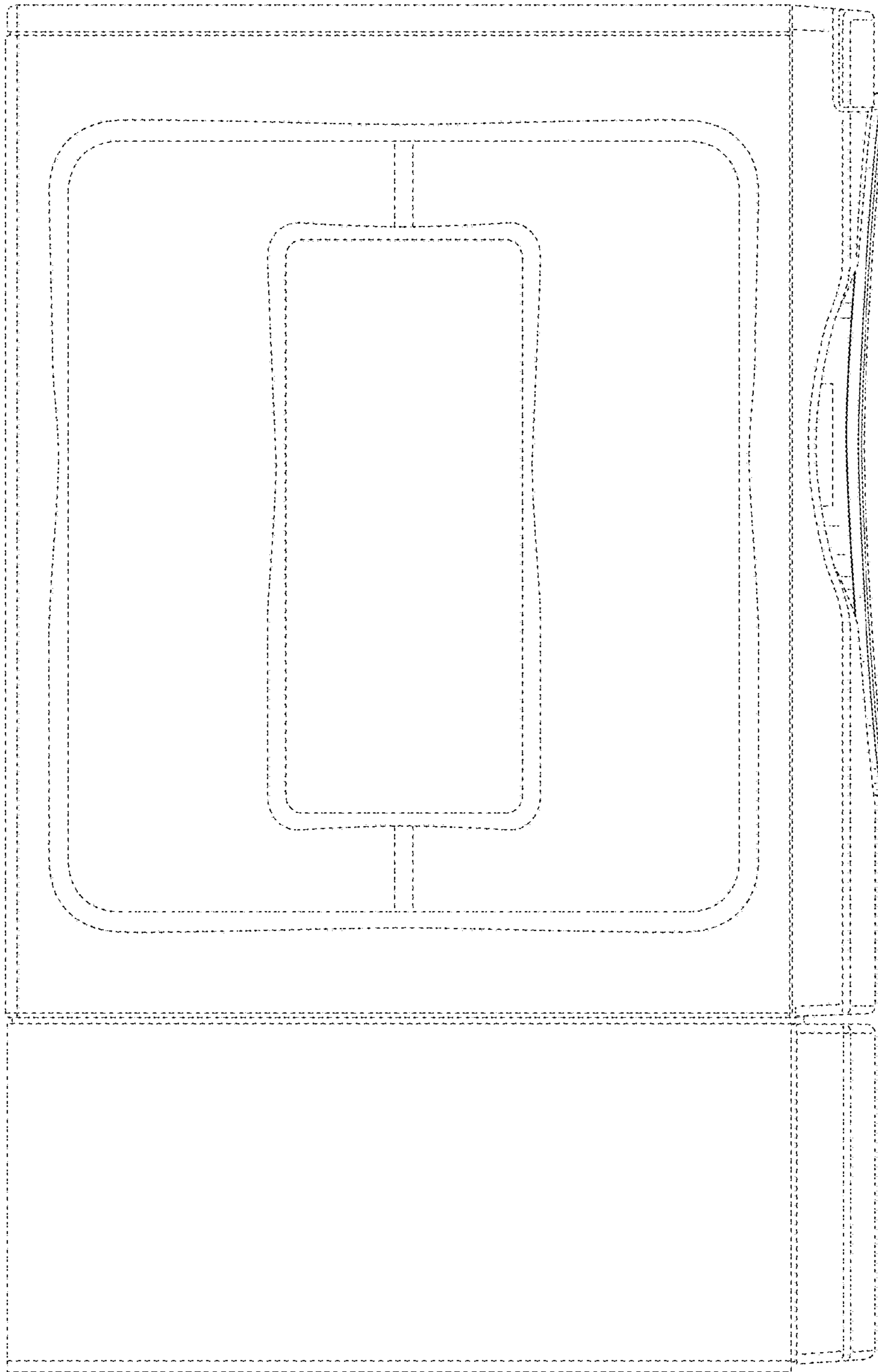


FIG. 4

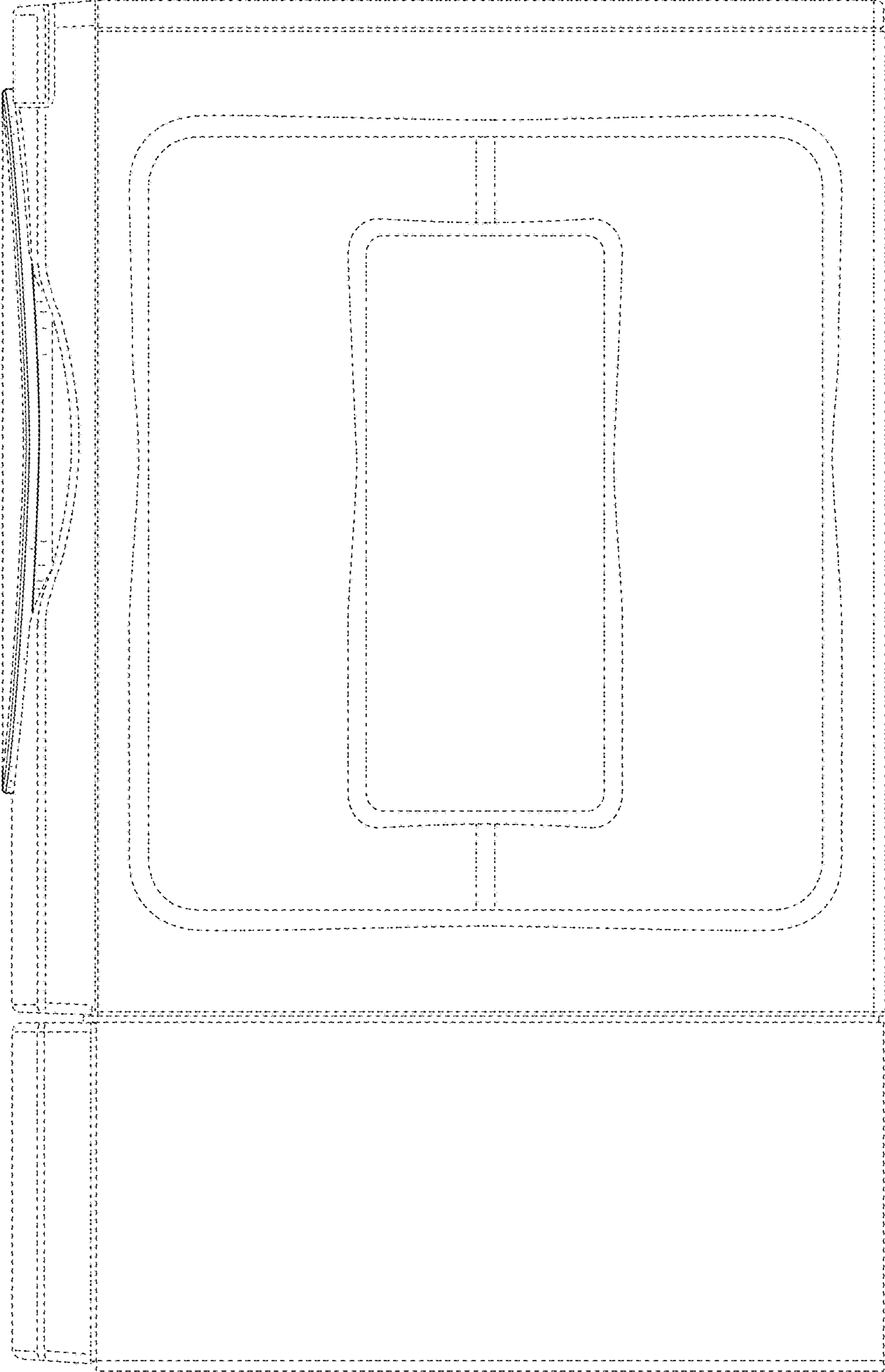
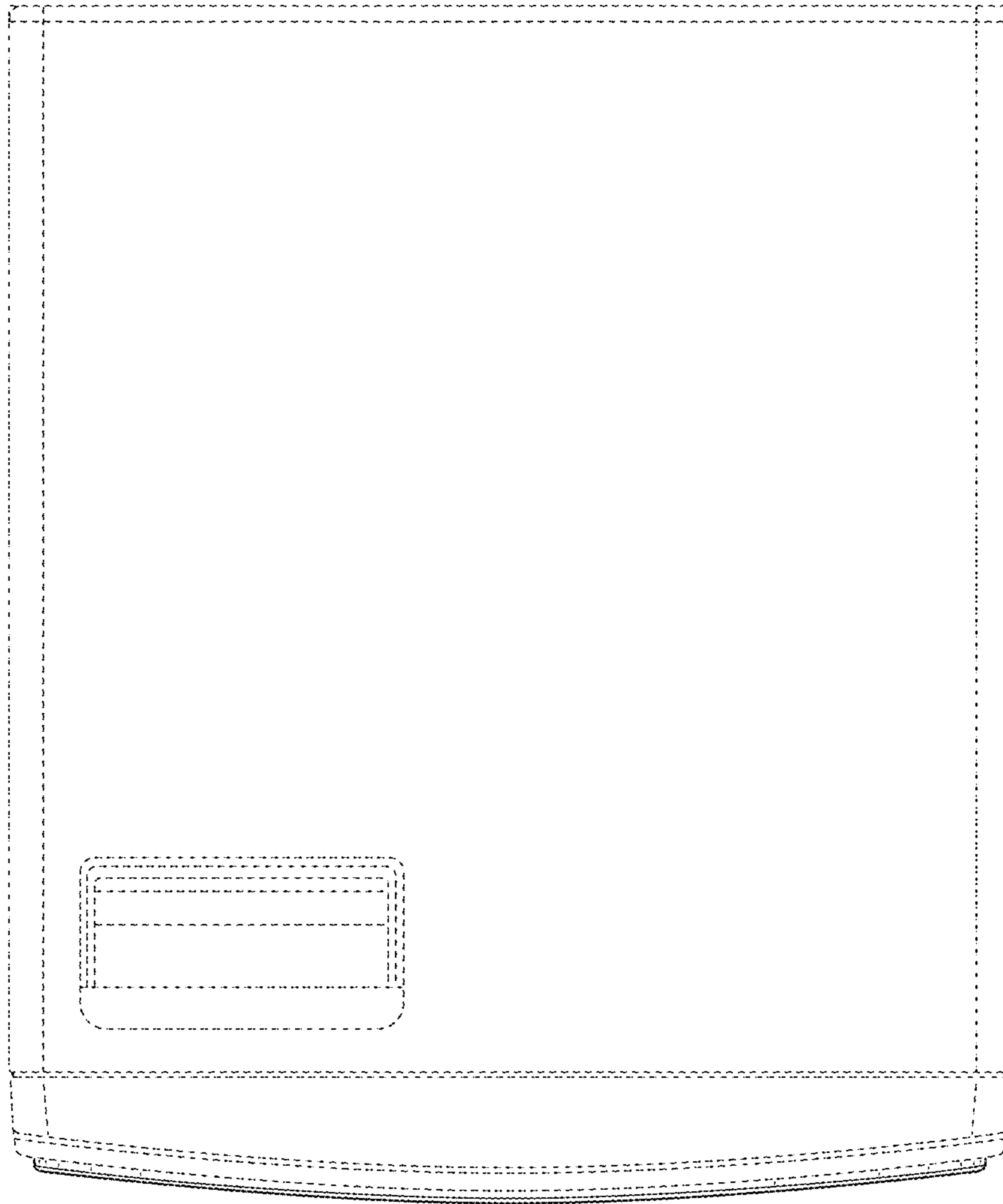


FIG. 5



**FIG. 6**



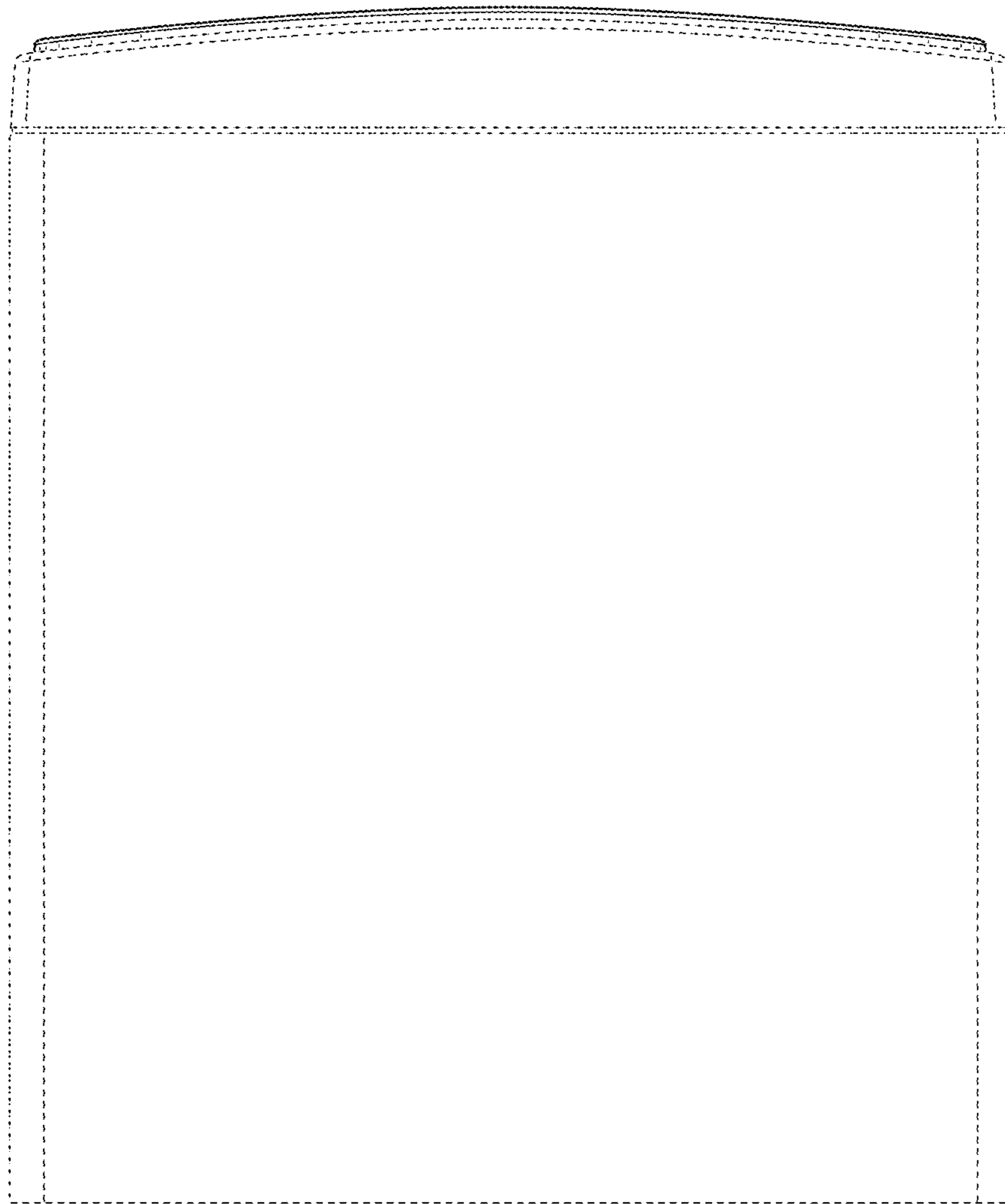


FIG. 7

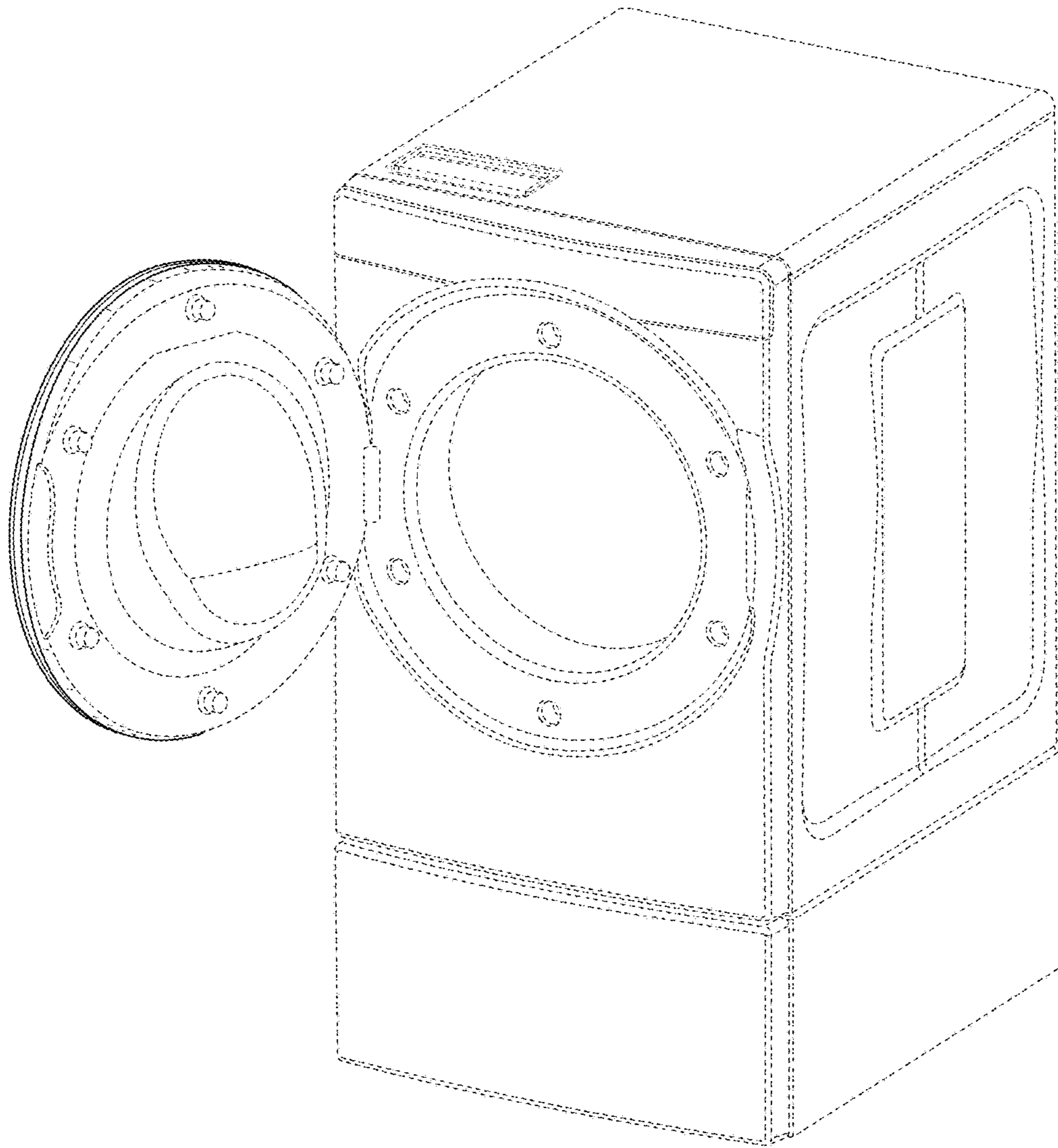


FIG. 8

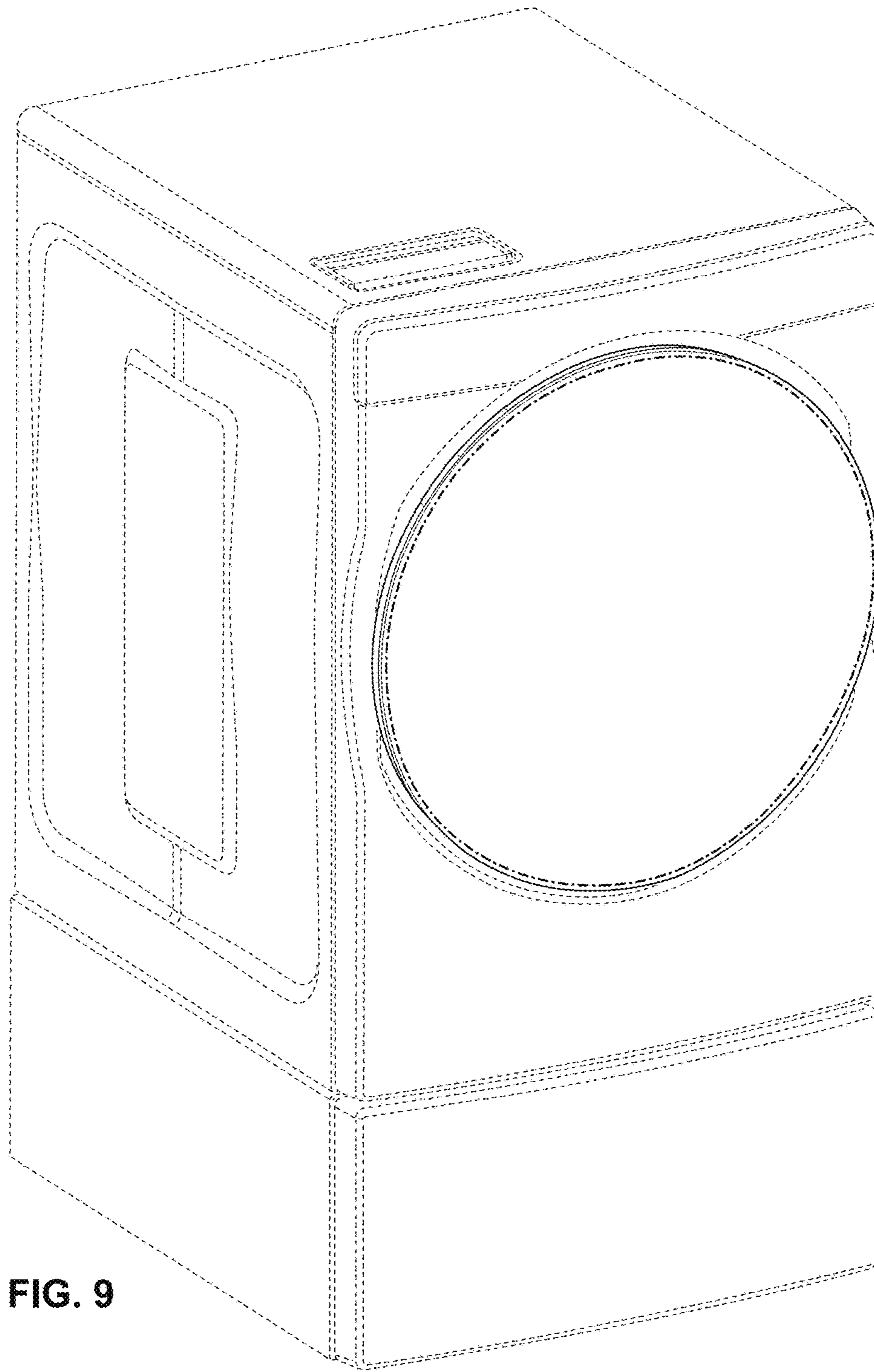


FIG. 9

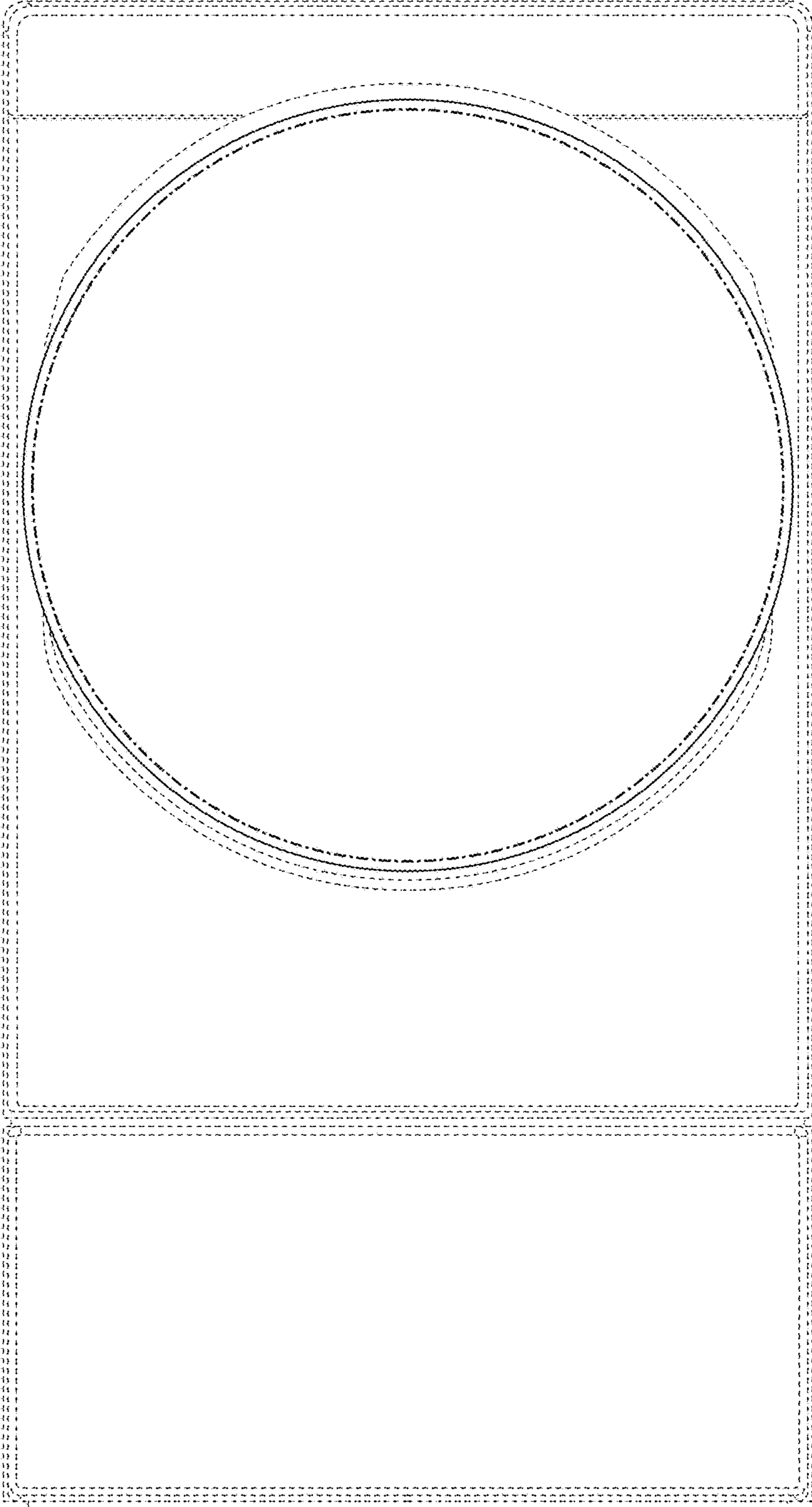


FIG. 10



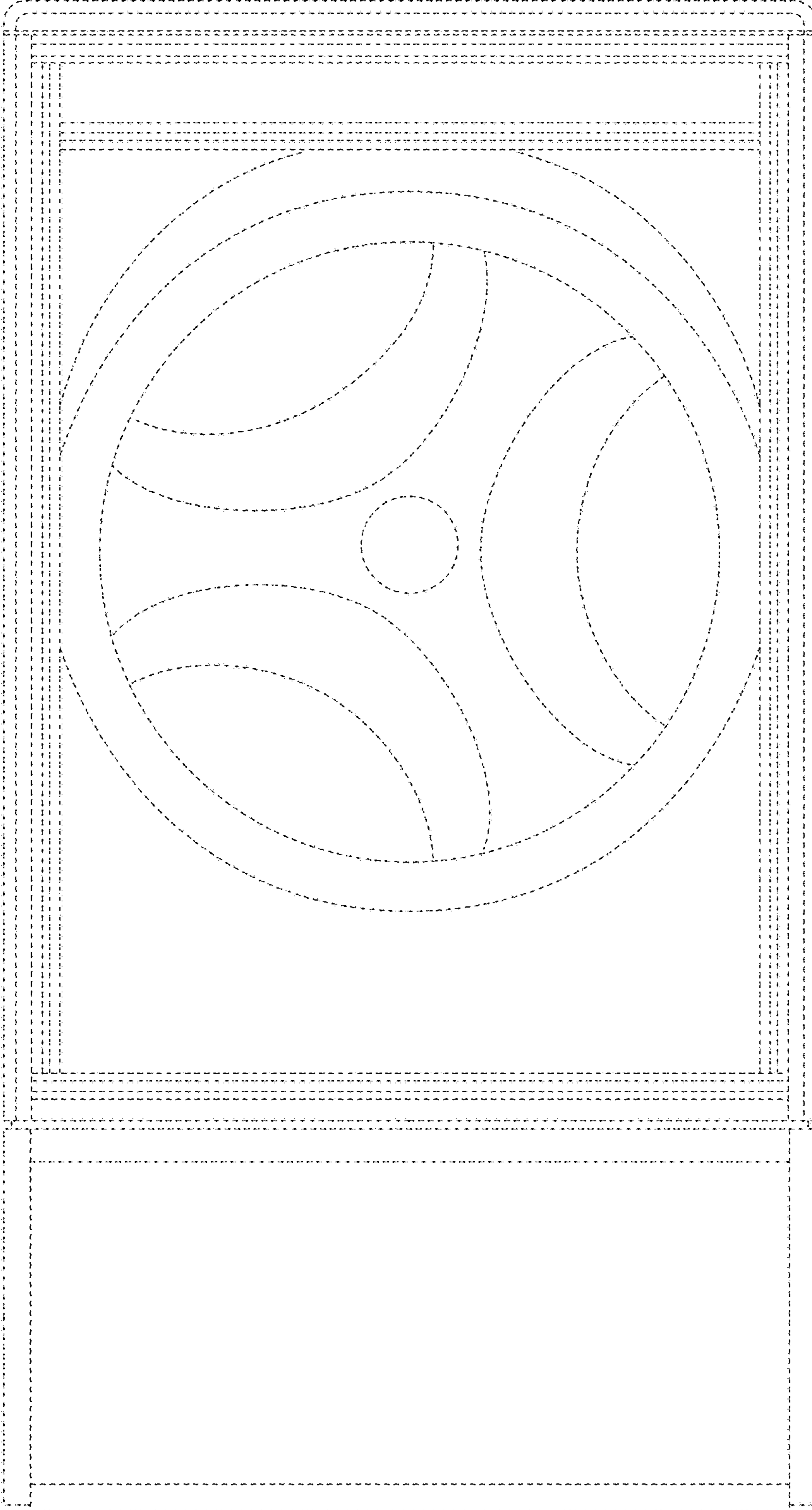


FIG. 11

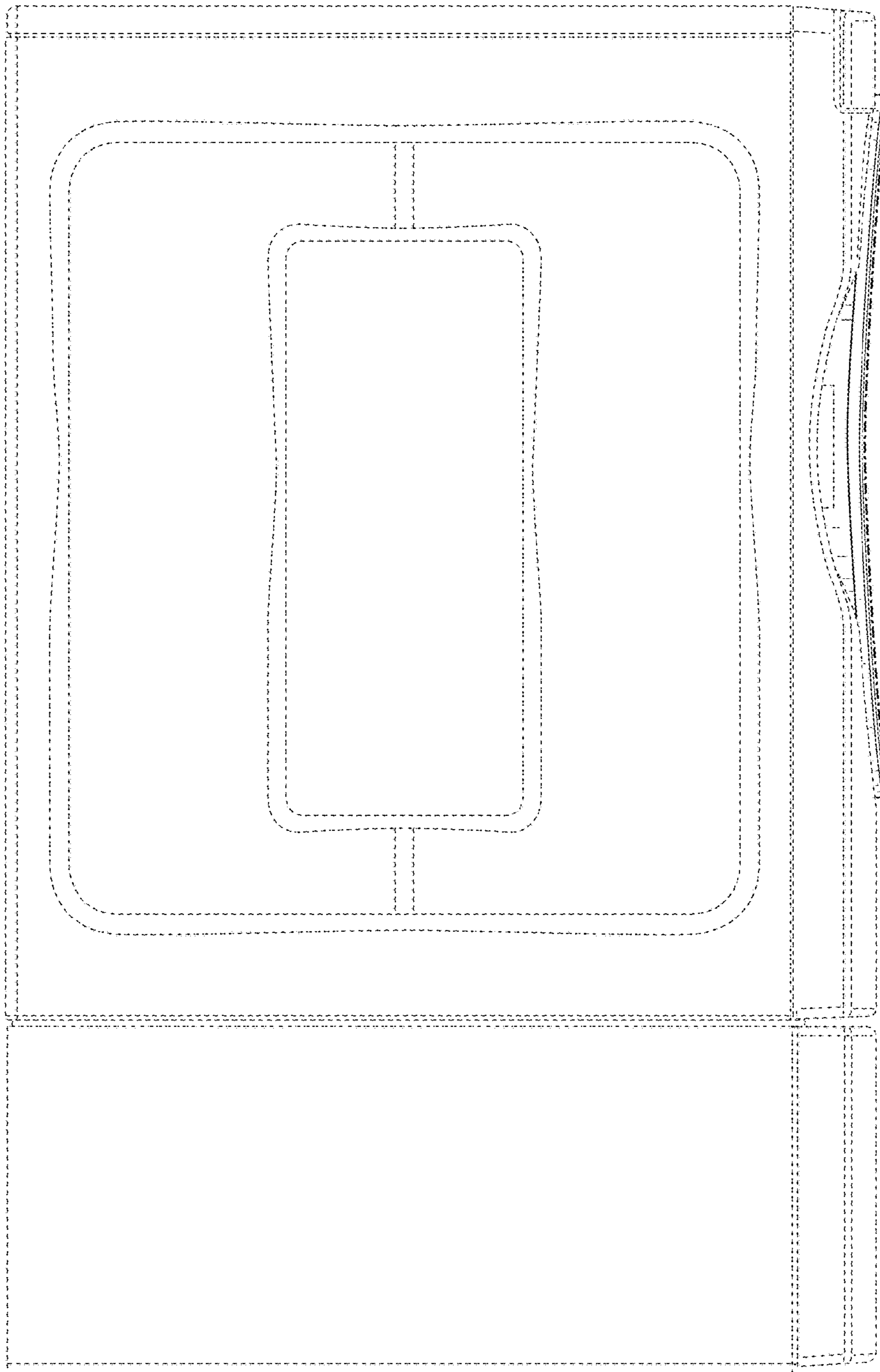


FIG. 12

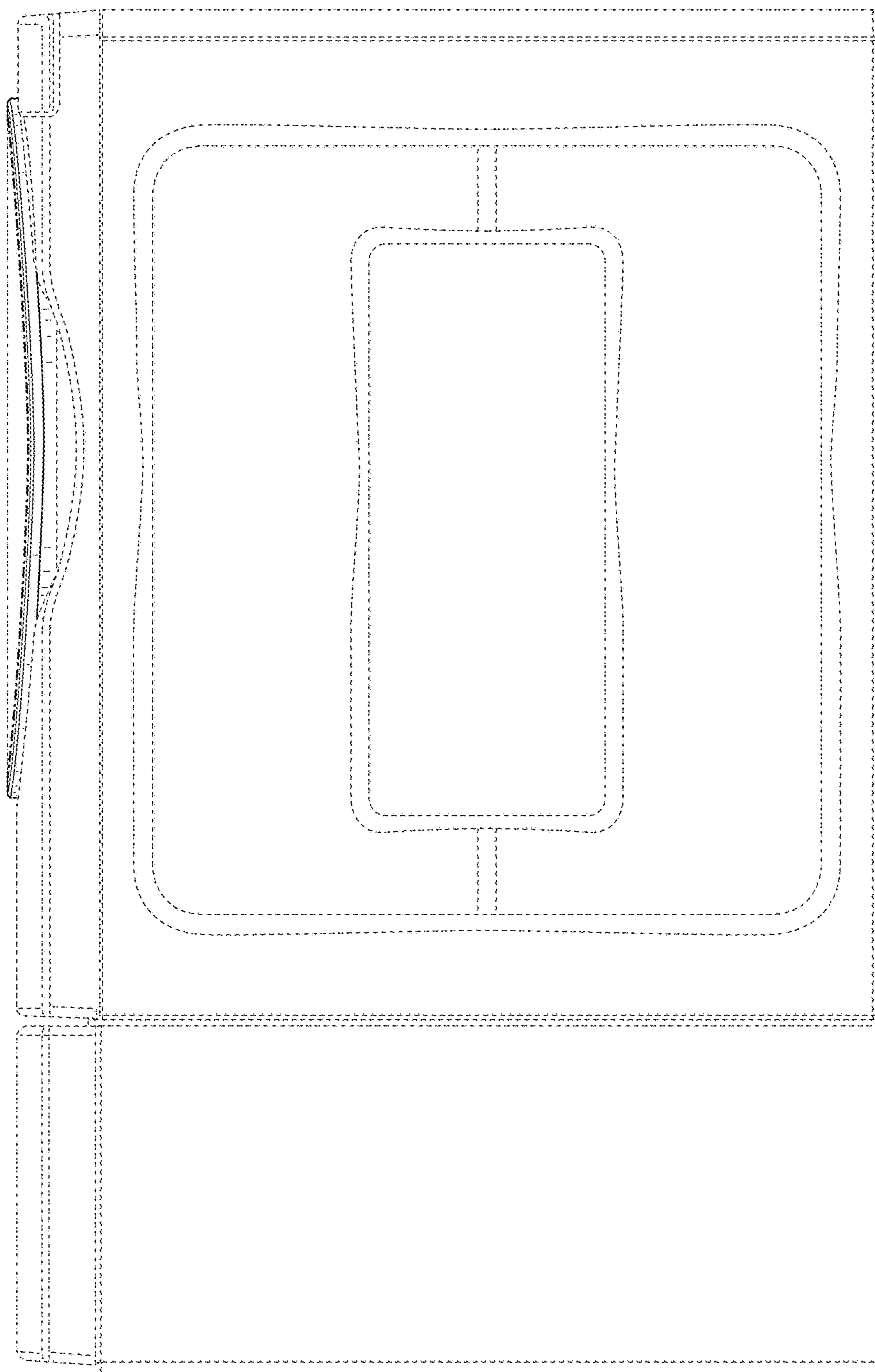


FIG. 13

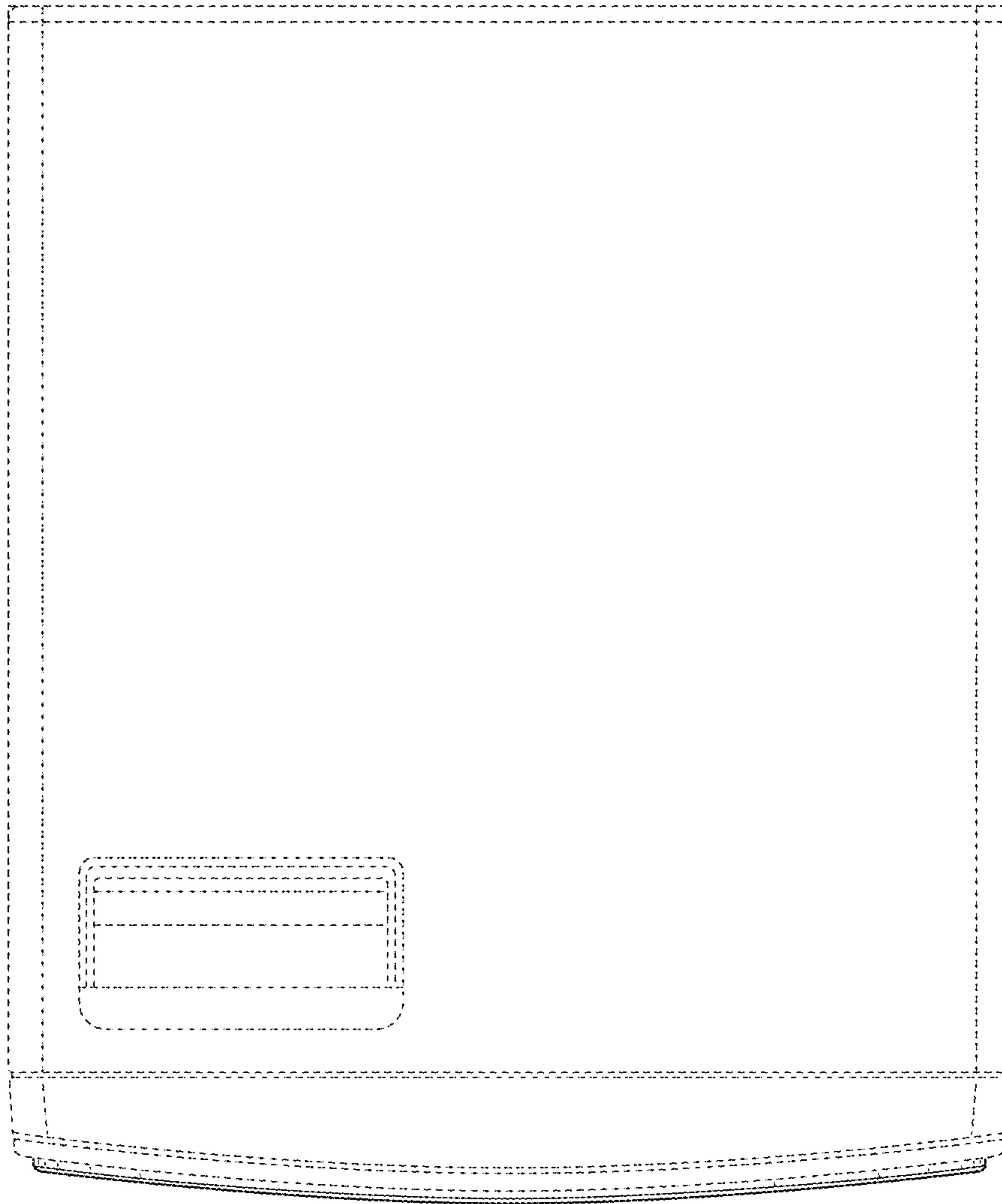
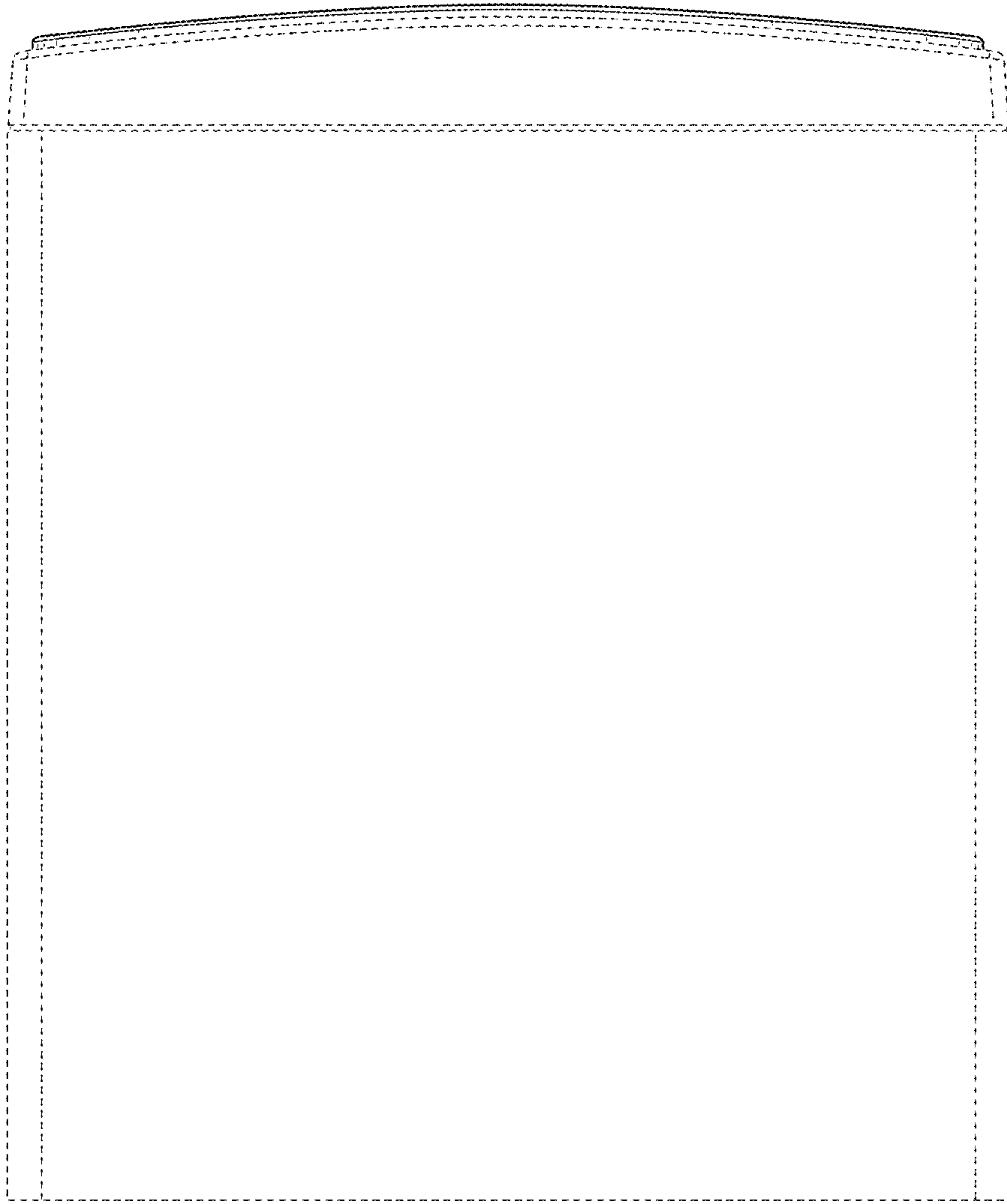


FIG. 14





**FIG. 15**

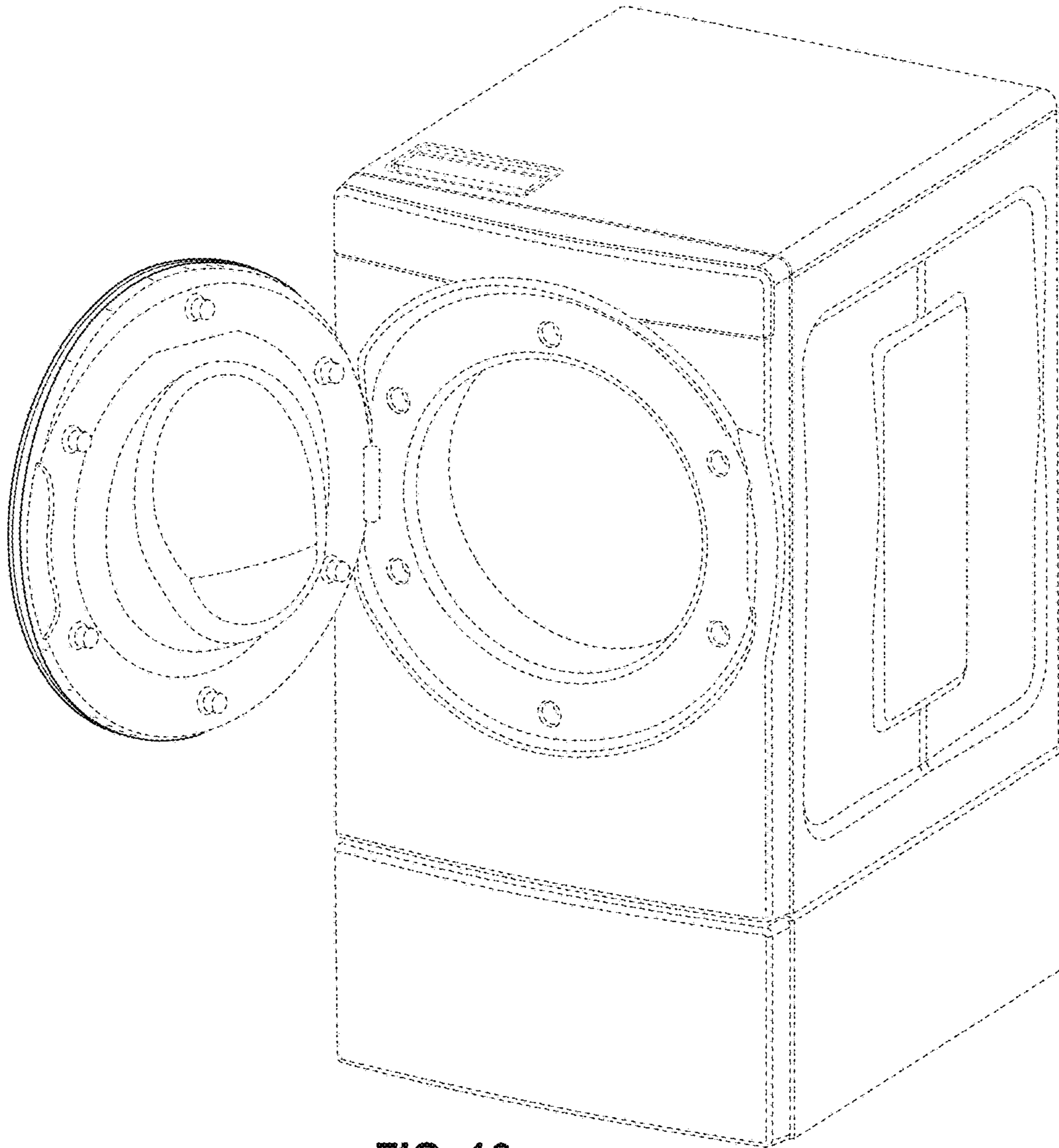


FIG. 16