



US00D836261S

(12) **United States Design Patent** (10) **Patent No.:** **US D836,261 S**  
**Ni** (45) **Date of Patent:** **\*\* Dec. 18, 2018**

(54) **RECEIVER FOR PET TRAINING**

(71) Applicant: **SHENZHEN DOGCARE INNOVATION & TECHNOLOGY CO., LTD.**, Shenzhen (CN)

(72) Inventor: **Xunyang Ni**, Shenzhen (CN)

(\*\*) Term: **15 Years**

(21) Appl. No.: **29/590,996**

(22) Filed: **Jan. 16, 2017**

(30) **Foreign Application Priority Data**

Aug. 9, 2016 (CN) ..... 2016 3 0376849

(51) **LOC (11) Cl.** ..... **30-99**

(52) **U.S. Cl.**  
USPC ..... **D30/199; D10/104.1**

(58) **Field of Classification Search**  
USPC ..... D30/199, 152, 144, 151, 155;  
D10/104.1, 104.2, 106.1, 106.3, 106.2;  
119/856, 859, 720, 721, 719, 718, 712,  
119/653, 654, 760-765, 792, 793, 822,  
119/855, 858, 860-863, 772, 776, 795;  
340/573.3, 573.1, 384.2, 825.76, 538.16,  
340/539.1, 539.11, 539.14, 539.15,  
340/539.16, 539.17, 539.18, 539.19,  
340/572.7, 572.8, 572.9, 573.2, 573.4;  
D13/103, 168, 162-164; 42/90;  
D14/137, 496, 218, 159, 217, 188, 225,  
D14/205, 155, 174, 388, 511; D21/566,  
D21/333, 516; 715/738; 434/350;  
600/323; 348/211.99, 14.05, 114, 734;  
341/175-176; 455/575.1; 343/788, 718,  
343/728, 895  
CPC .... A01K 15/021; A01K 15/02; A01K 15/022;  
A01K 15/023; A01K 15/029; A01K  
15/04; A01K 15/00; A01K 15/006; A01K  
12/022; A01K 27/009; A01K 27/00;  
A01K 27/001; A01K 27/006-27/008;  
A01K 29/005; A01K 29/00; H05K 5/03;

H04B 10/00; H01H 9/02; G09G 5/00;  
G09D 1/10; G08C 23/04; G08C 19/12;  
G08C 19/00; H04N 5/44; H04N 5/445;  
H04N 7/00; H04L 17/02; G05B 11/01;  
G06F 3/02; H01Q 1/273; H01Q 1/362;  
H01Q 11/08; H01Q 7/08

See application file for complete search history.

(56) **References Cited**

U.S. PATENT DOCUMENTS

D427,060	S	*	6/2000	Lluch	.....	D14/163
D522,187	S	*	5/2006	Nottingham	.....	D30/152
D523,998	S	*	6/2006	Nottingham	.....	D10/104.1
D683,915	S	*	6/2013	So	.....	D30/152
D706,500	S	*	6/2014	Hu	.....	D30/152
D709,780	S	*	7/2014	Hogg	.....	D10/104.1

(Continued)

*Primary Examiner* — Susan Moon Lee

(74) *Attorney, Agent, or Firm* — Prakash Nama; Global IP Services, PLLC

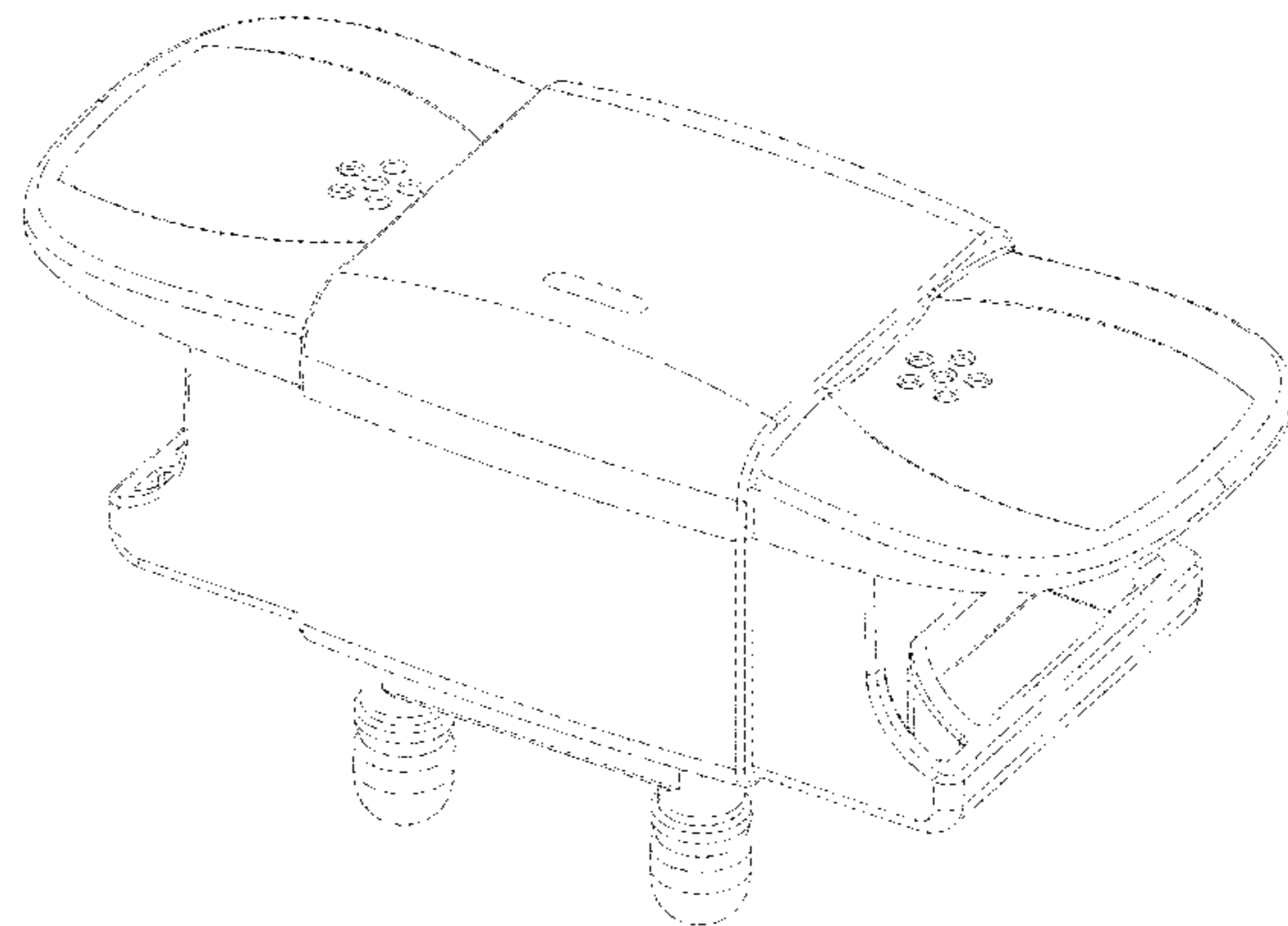
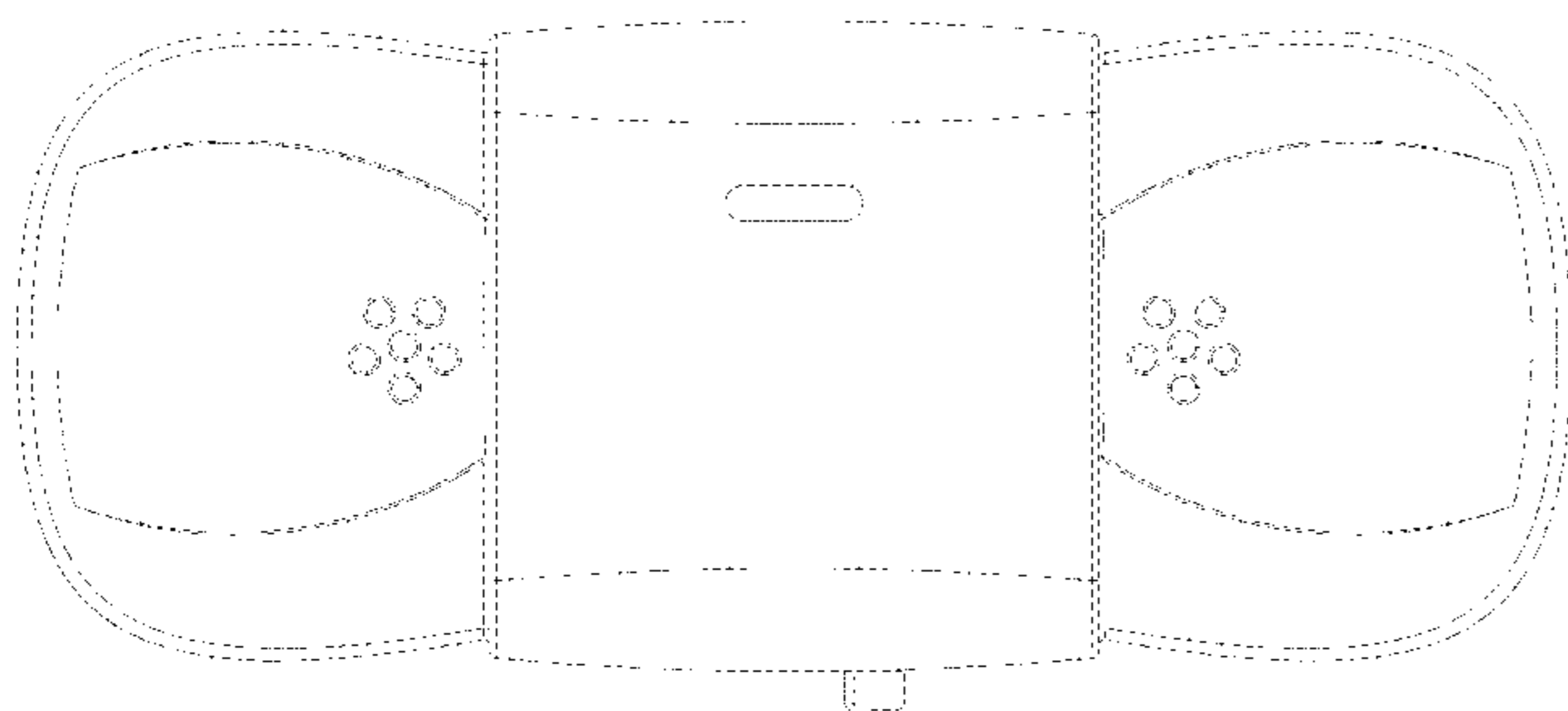
(57) **CLAIM**

The ornamental design for a receiver for pet training, as shown and described.

**DESCRIPTION**

FIG. 1 is a front elevational view of a receiver for pet training showing my new design;  
FIG. 2 is a rear elevational view thereof;  
FIG. 3 is a left side view thereof;  
FIG. 4 is a right side view thereof;  
FIG. 5 is a top plan view thereof;  
FIG. 6 is a bottom plan view thereof; and  
FIG. 7 is a front perspective view thereof; and,  
FIG. 8 is a back perspective view thereof.  
The broken lines in FIG. 2 depict unclaimed features of the receiver for pet training that form no part of the claimed design but are shown for purposes of illustration.

**1 Claim, 8 Drawing Sheets**



(56)

**References Cited**

U.S. PATENT DOCUMENTS

D715,746 S *	10/2014	Schmelling .....	D13/174
D793,262 S *	8/2017	Geskin Zinovi .....	D10/104.1
D798,003 S *	9/2017	Dong .....	D30/199
D811,016 S *	2/2018	Liu .....	D30/152
D819,280 S *	5/2018	Li .....	D30/199
D822,921 S *	7/2018	Wen .....	D30/199
2013/0233252 A1 *	9/2013	Bellon .....	A01K 15/021 119/720

\* cited by examiner

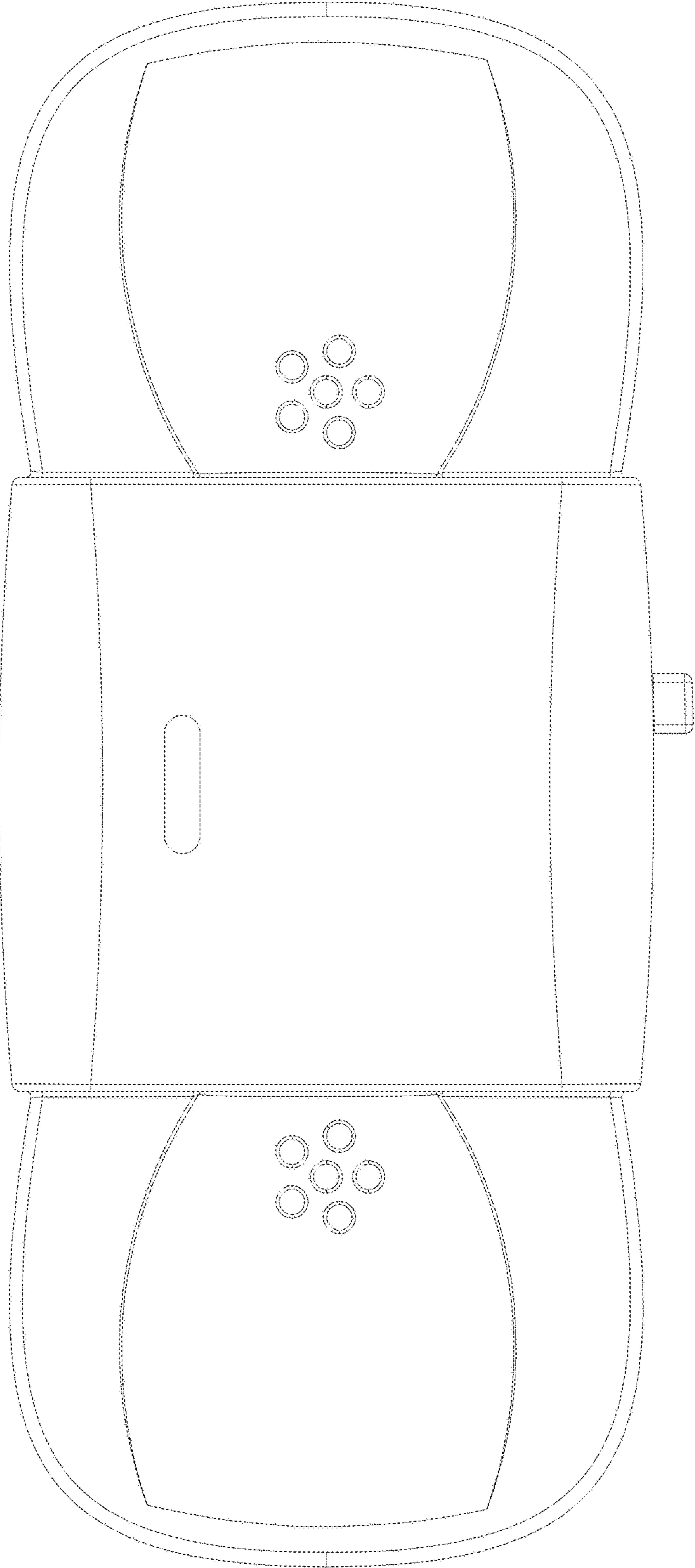


FIG. 1

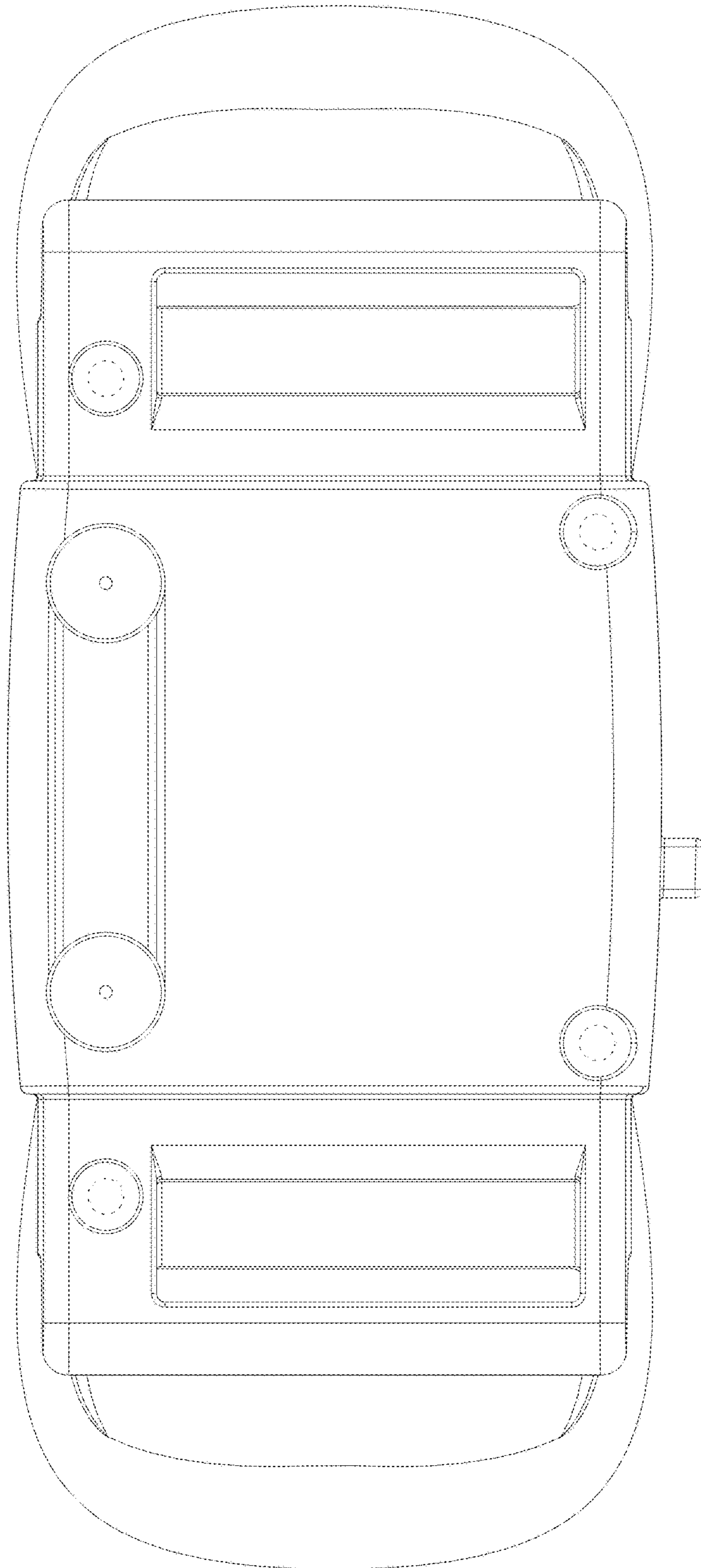


FIG. 2

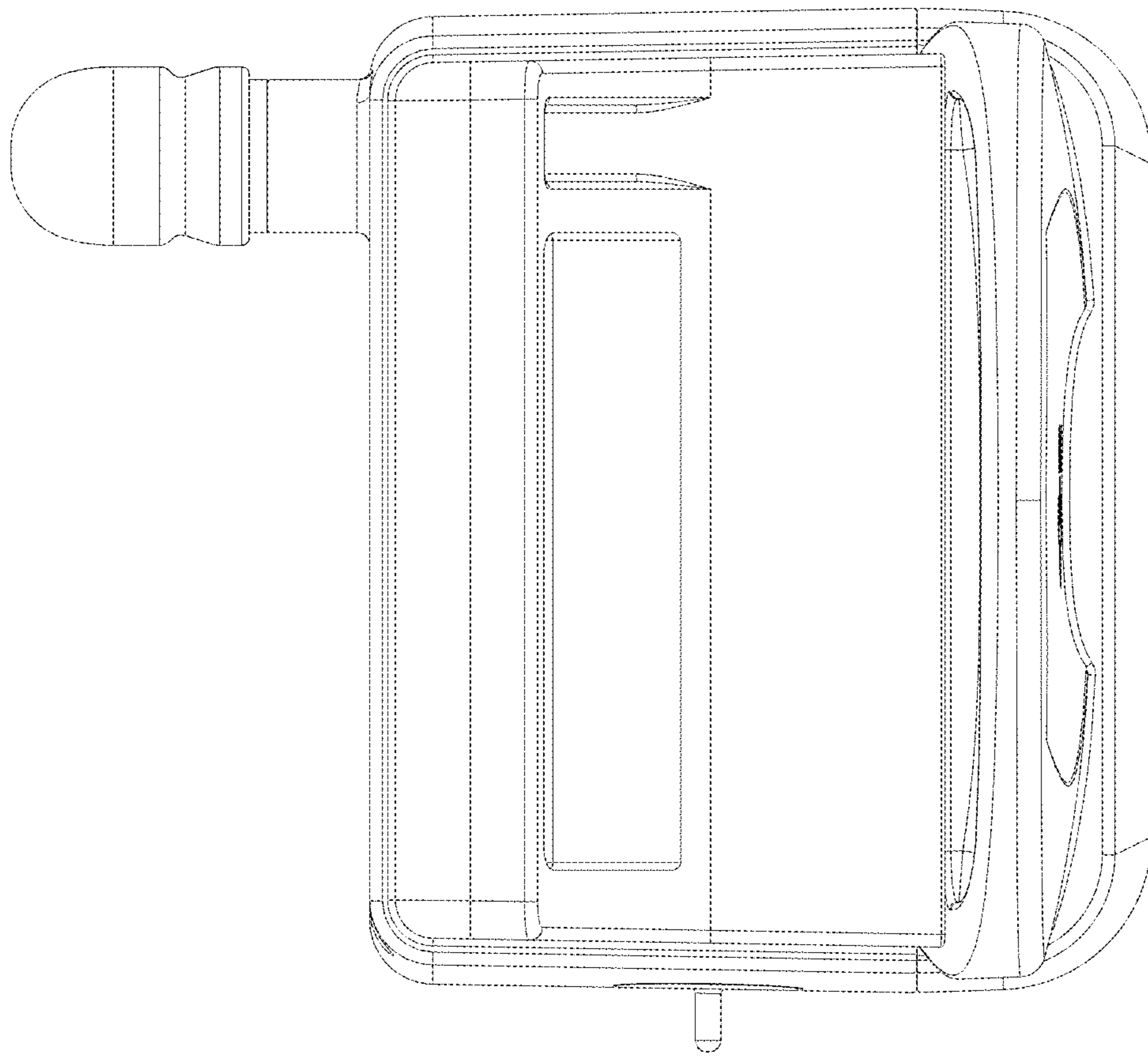


FIG. 3



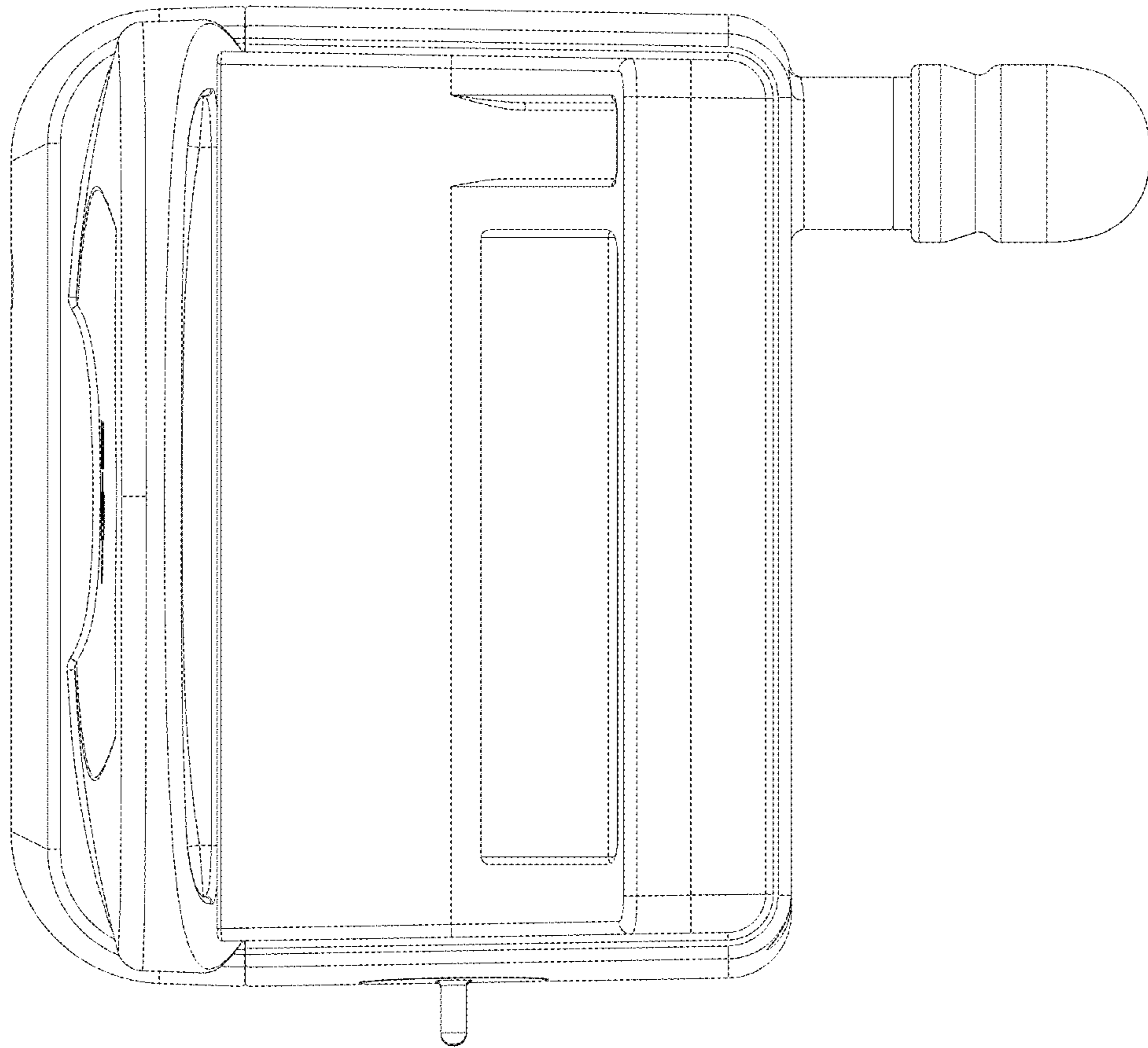


FIG. 4

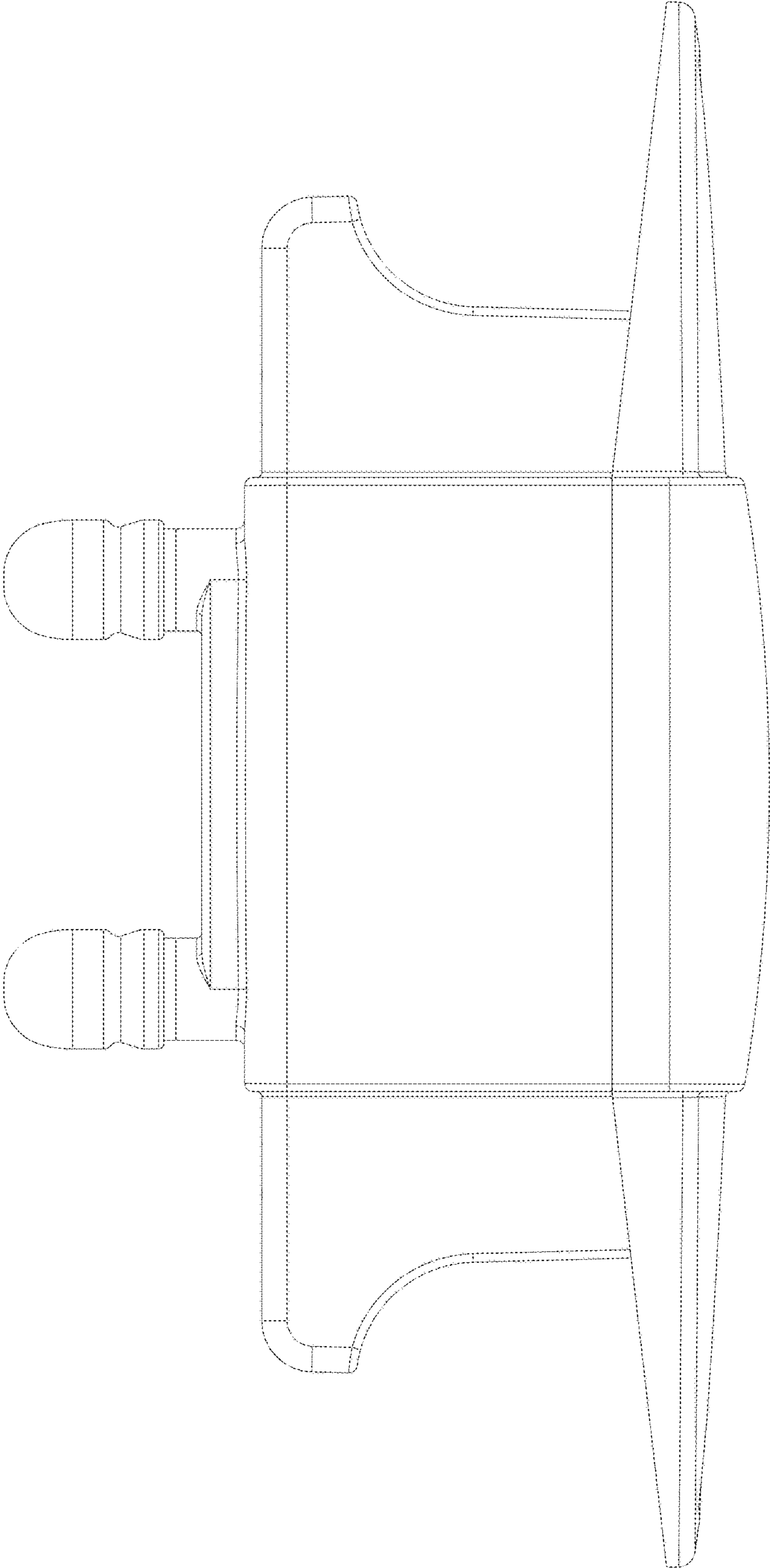


FIG. 5

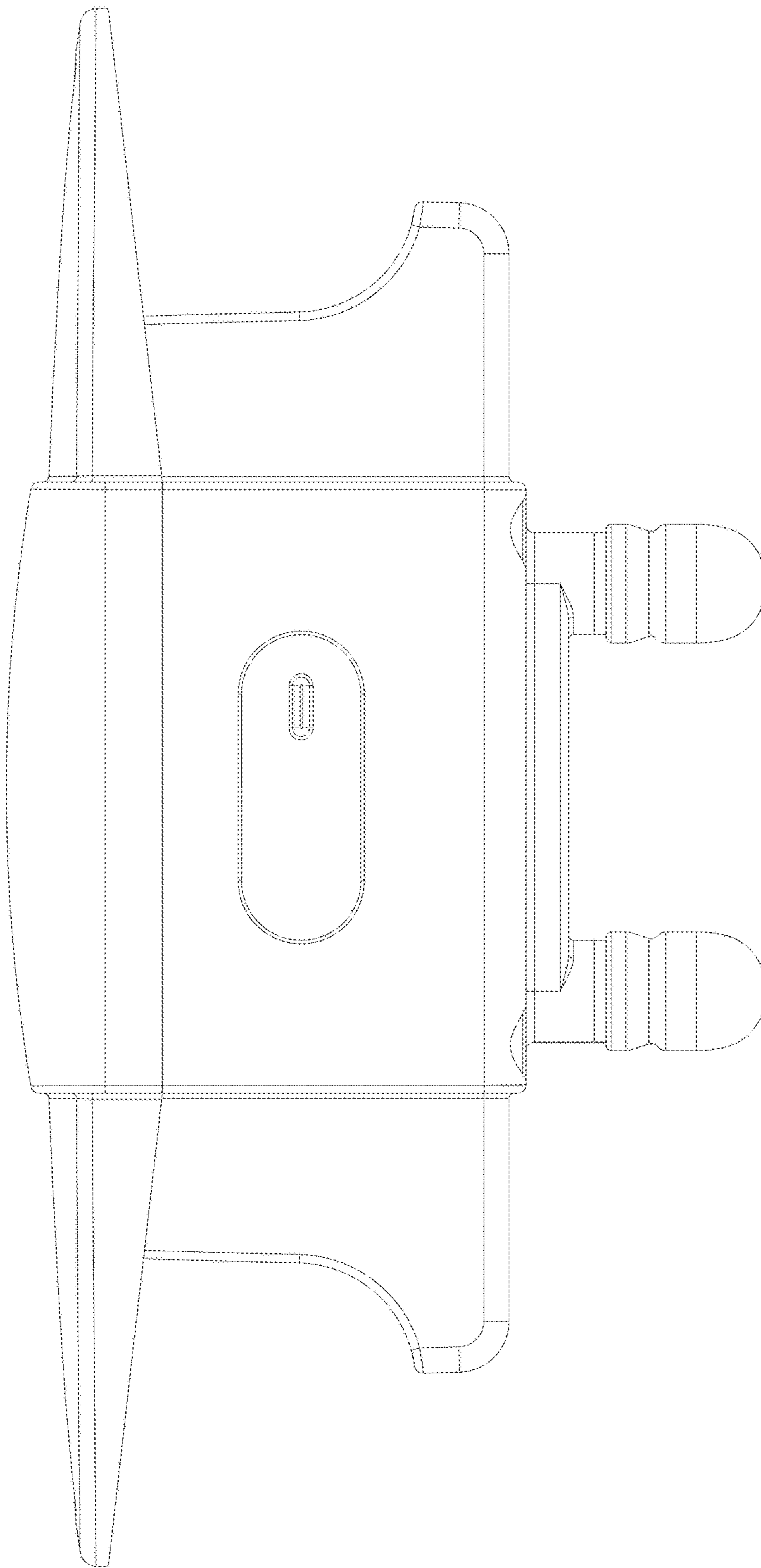


FIG. 6



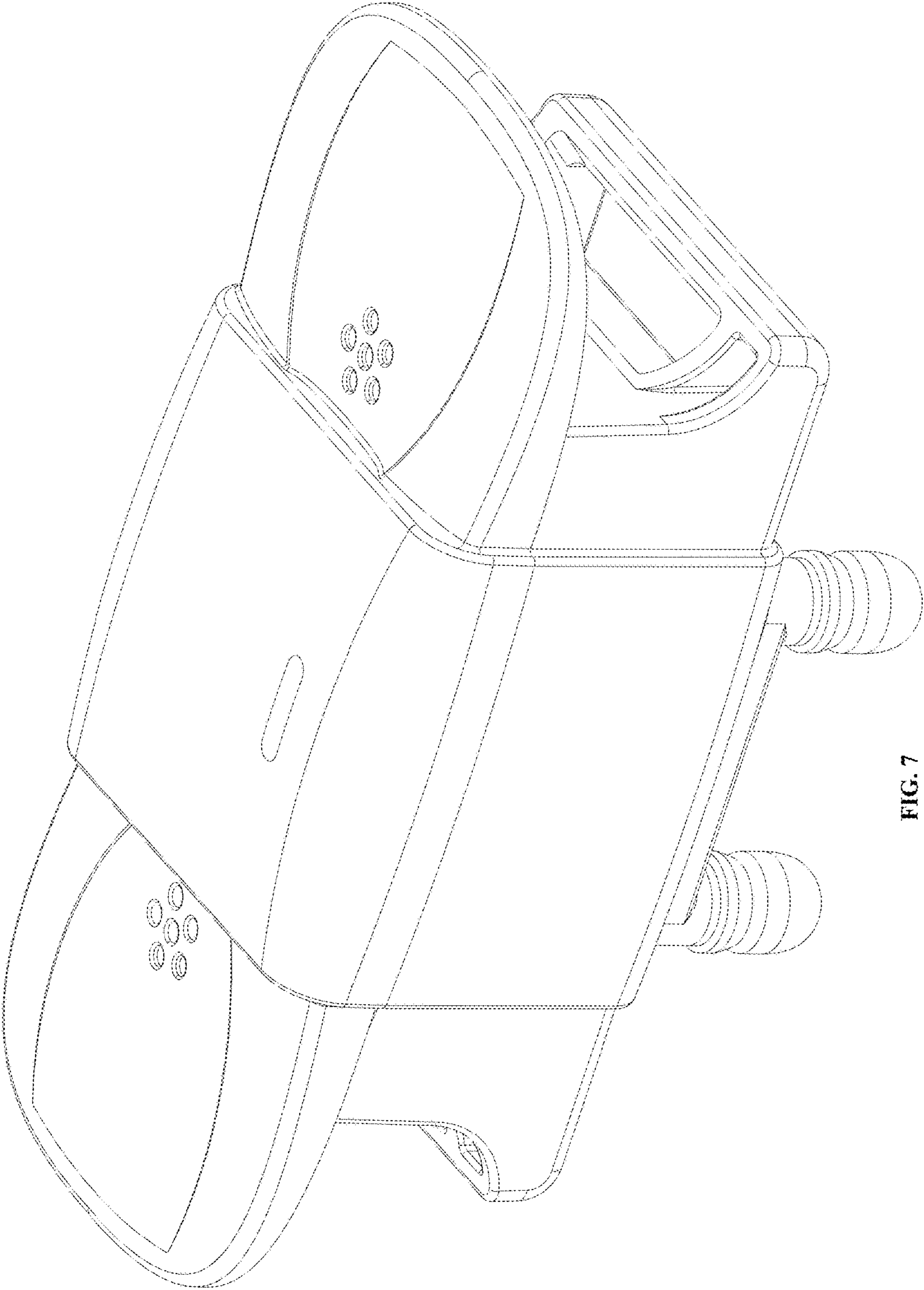


FIG. 7

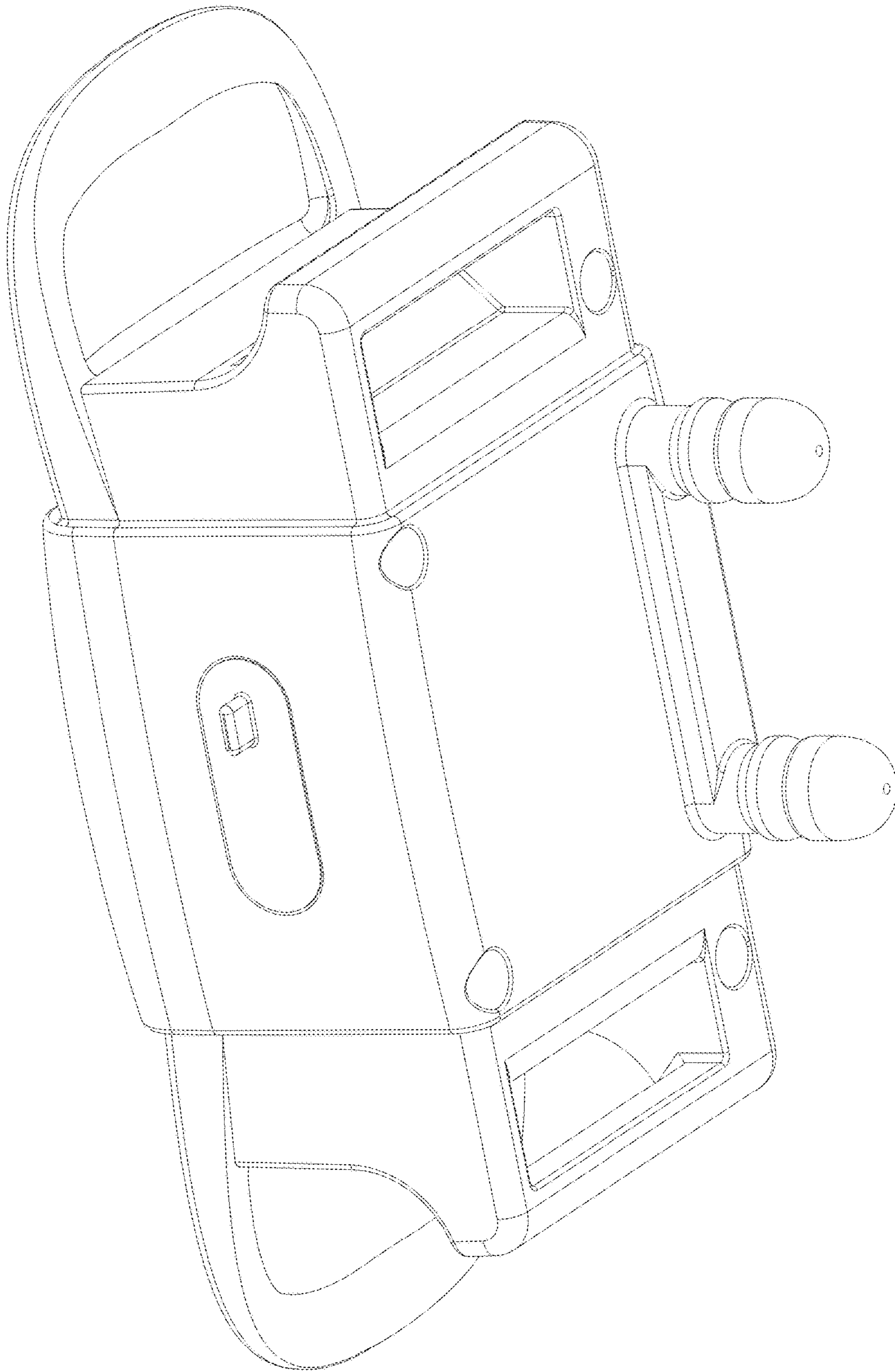


FIG. 8