



US00D836258S

(12) **United States Design Patent**
Loibl et al.

(10) **Patent No.:** **US D836,258 S**
(45) **Date of Patent:** **** Dec. 18, 2018**

- (54) **PET TOY**
- (71) Applicant: **HYPER PET LLC**, Wichita, KS (US)
- (72) Inventors: **Byron Loibl**, Wichita, KS (US); **Sonia S. Cox**, Andover, KS (US)
- (73) Assignee: **Hyper Pet LLC**, Wichita, KS (US)
- (**) Term: **15 Years**
- (21) Appl. No.: **29/584,013**
- (22) Filed: **Nov. 10, 2016**
- (51) **LOC (11) Cl.** **30-03**
- (52) **U.S. Cl.**
USPC **D30/160**
- (58) **Field of Classification Search**
USPC D30/160, 121; D21/406, 408, 436, 444,
D21/798, 346, 398, 347; D11/89, 90
CPC A01K 15/025; A01K 5/0114; A63B
2043/00; A63B 2043/001
See application file for complete search history.

D724,156 S *	3/2015	Fisher	D21/444
D729,322 S *	5/2015	Fisher	D21/437
D779,776 S *	2/2017	Petersen	D1/120
D783,743 S *	4/2017	Wills	D21/707
D803,327 S *	11/2017	Gaus	D21/436
2014/0202396 A1*	7/2014	Hansen	A01K 15/025 119/710

OTHER PUBLICATIONS

“Spy Gear Ninga-attack,Ninja star” , Page dated Jan. 6, 2017, [Online], [retrieved Dec. 19, 2017]. Retrived from <https://www.target.com/p/spy-gear-ninja-attack-ninja-stars/-/A-51306938>.*

* cited by examiner

Primary Examiner — Barbara Fox
Assistant Examiner — Mehri F Bajoul
(74) *Attorney, Agent, or Firm* — Hovey Williams LLP

(57) **CLAIM**

The ornamental design for a pet toy, as shown and described.

DESCRIPTION

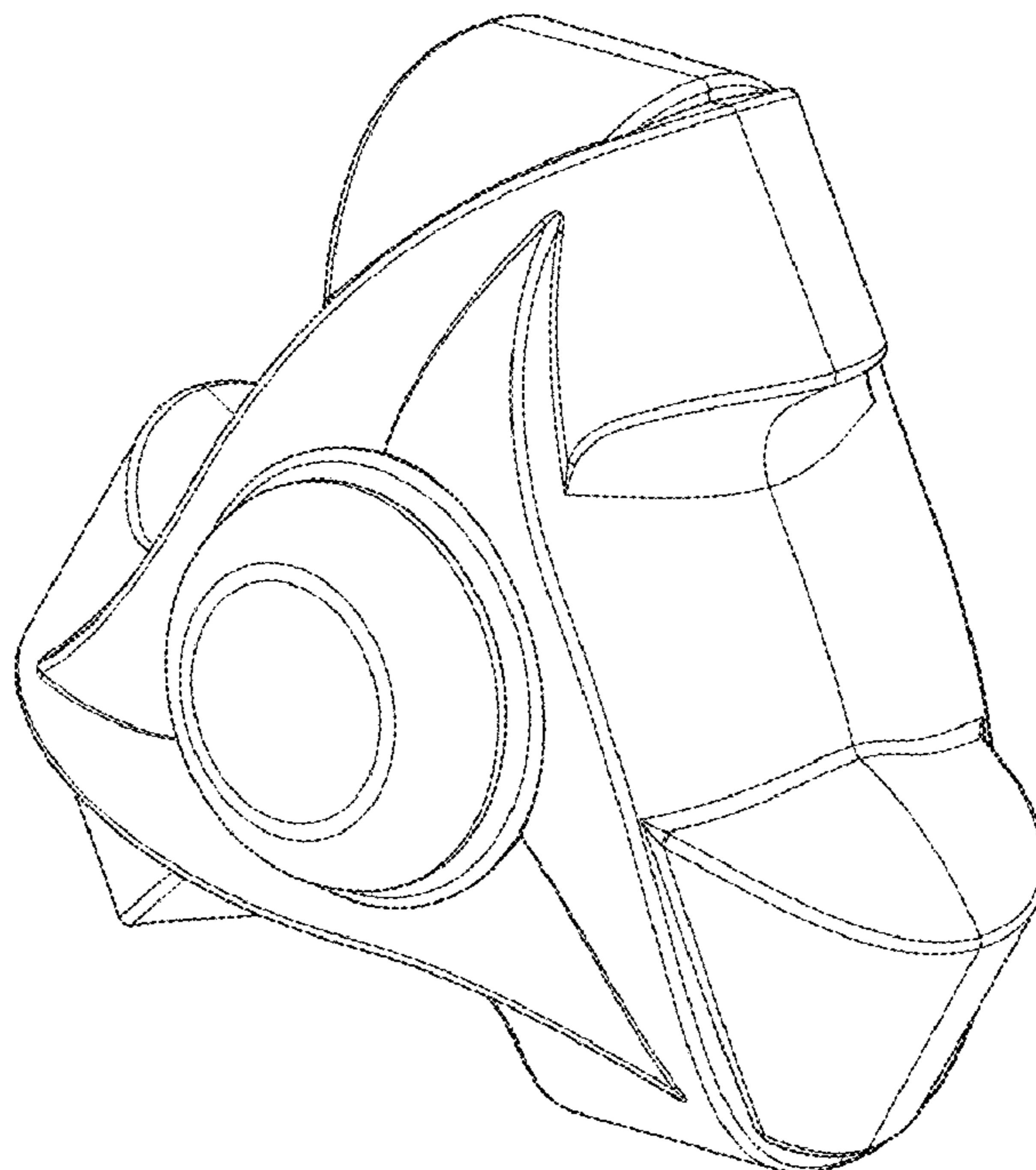
FIG. 1 is a front perspective view of a pet toy of the present invention;
FIG. 2 is a rear perspective view of the pet toy of FIG. 1;
FIG. 3 is a front elevational view of the pet toy of FIG. 1;
FIG. 4 is left side elevational view of the pet toy of FIG. 1;
FIG. 5 is a right side elevational view of the pet toy of FIG. 1;
FIG. 6 is a top plan view of the pet toy of FIG. 1;
FIG. 7 is a bottom plan view of the pet toy of FIG. 1; and,
FIG. 8 is a rear elevational view of the pet toy of FIG. 1.

1 Claim, 3 Drawing Sheets

(56) **References Cited**

U.S. PATENT DOCUMENTS

D233,906 S *	12/1974	Richards	D11/90
D528,461 S *	9/2006	Siman-Tov	D11/90
D577,468 S *	9/2008	Rutherford	D21/659
D584,988 S *	1/2009	Meyer	D11/89
D613,913 S *	4/2010	Watson	D30/160
D614,365 S *	4/2010	Watson	D30/160
D627,254 S *	11/2010	Gersh	D11/89
D652,181 S *	1/2012	Lee	D30/160
D662,851 S *	7/2012	Siman-Tov	D11/89



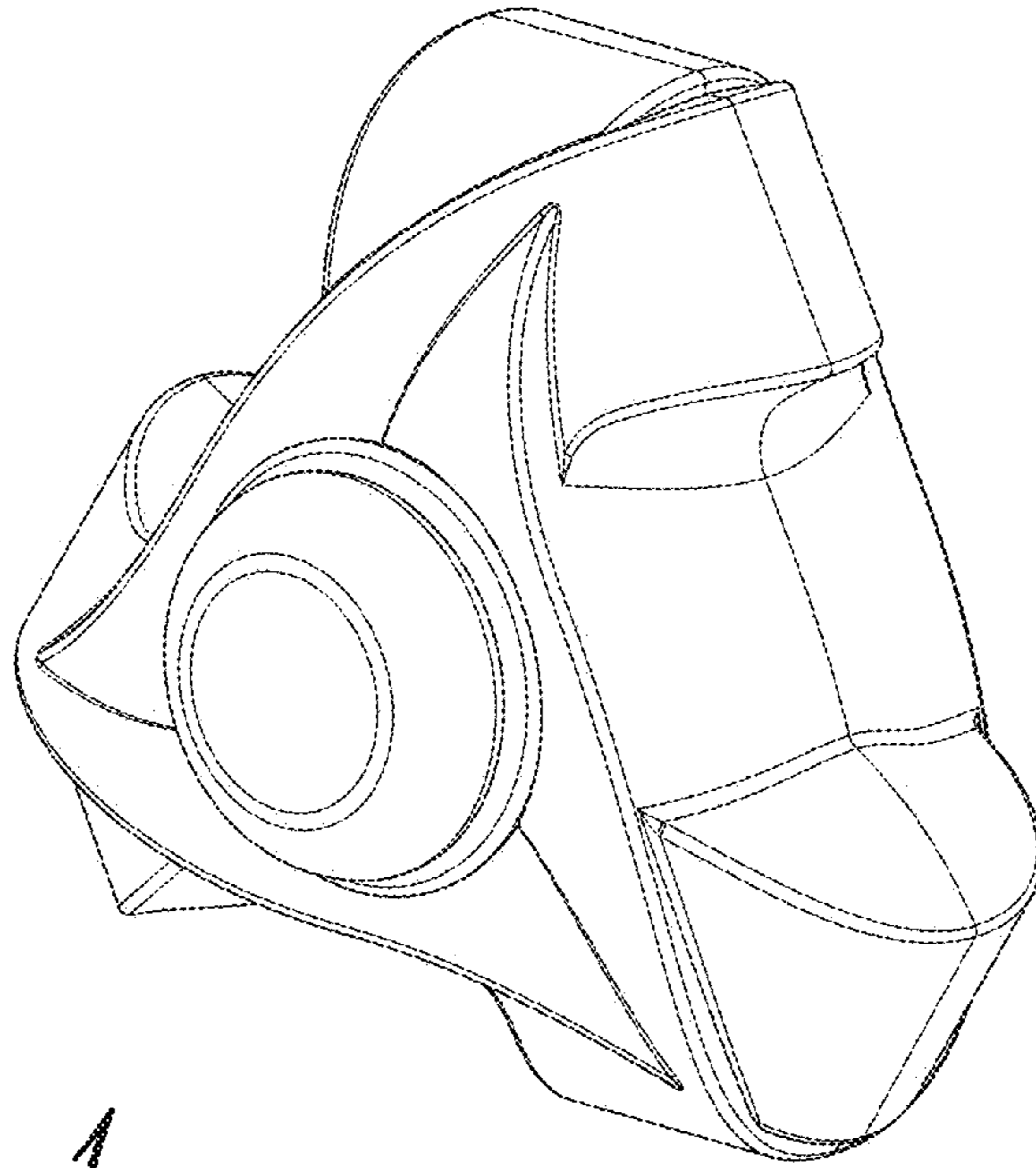


Fig. 1.

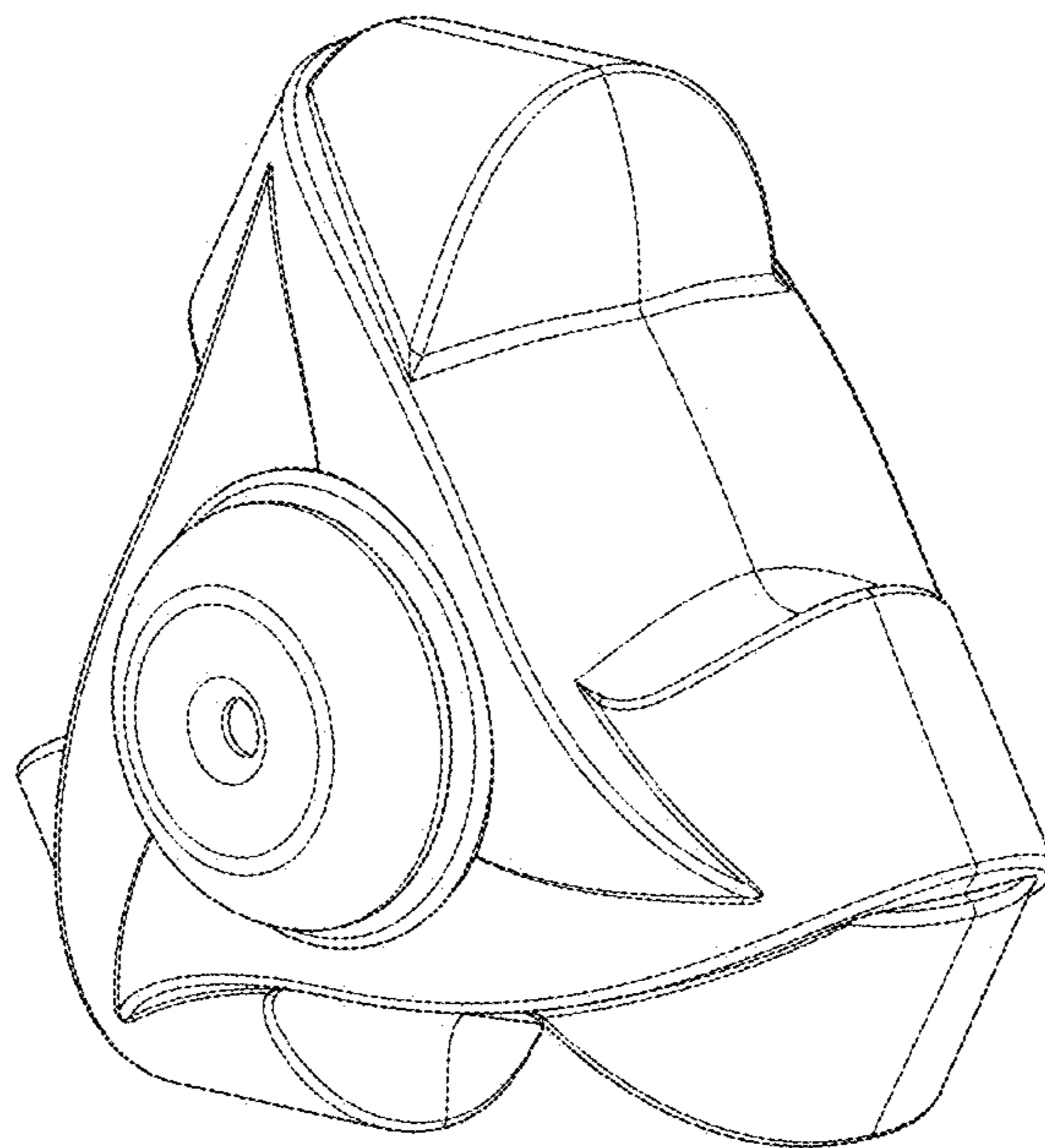


Fig. 2.

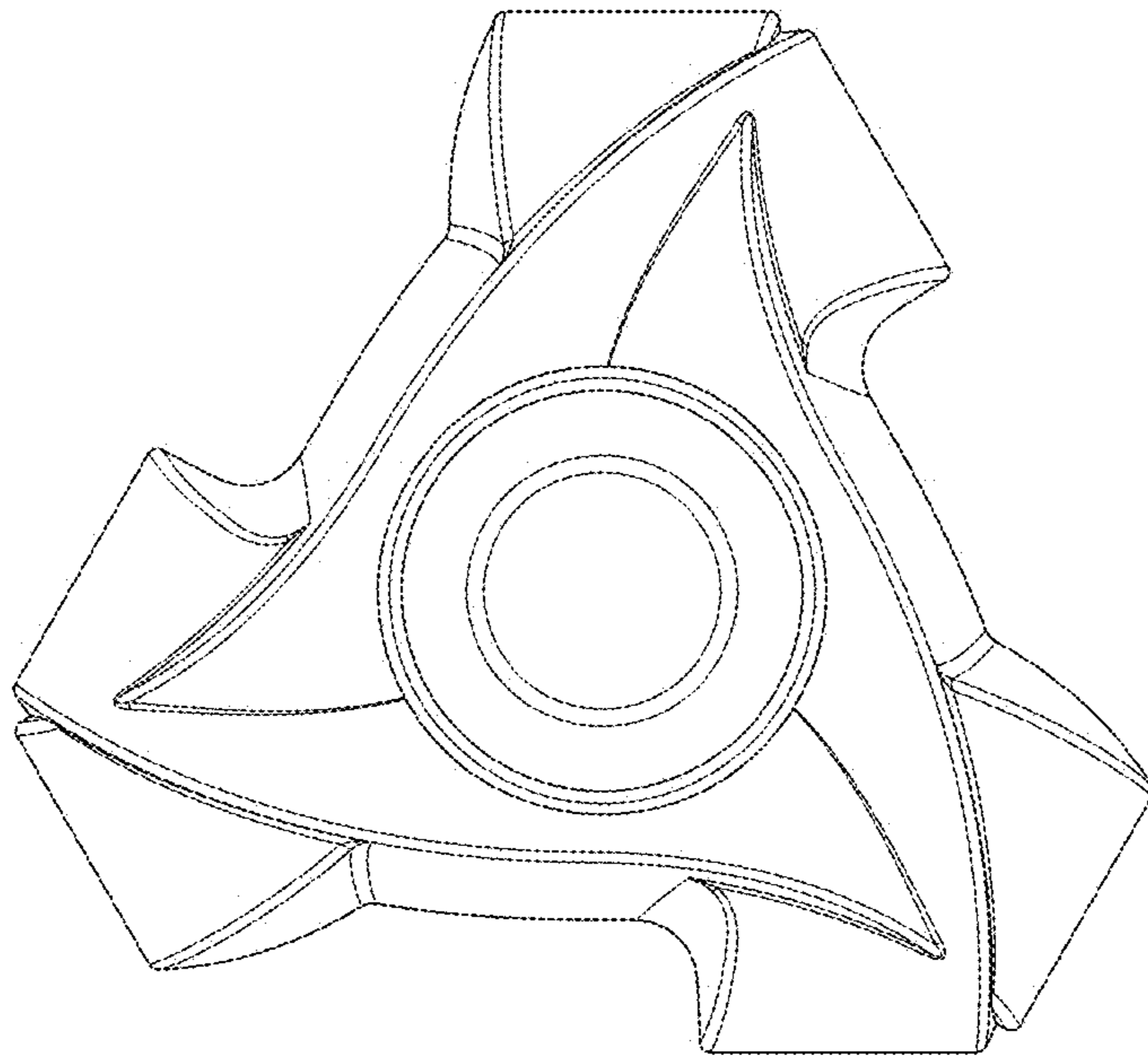


Fig. 3.

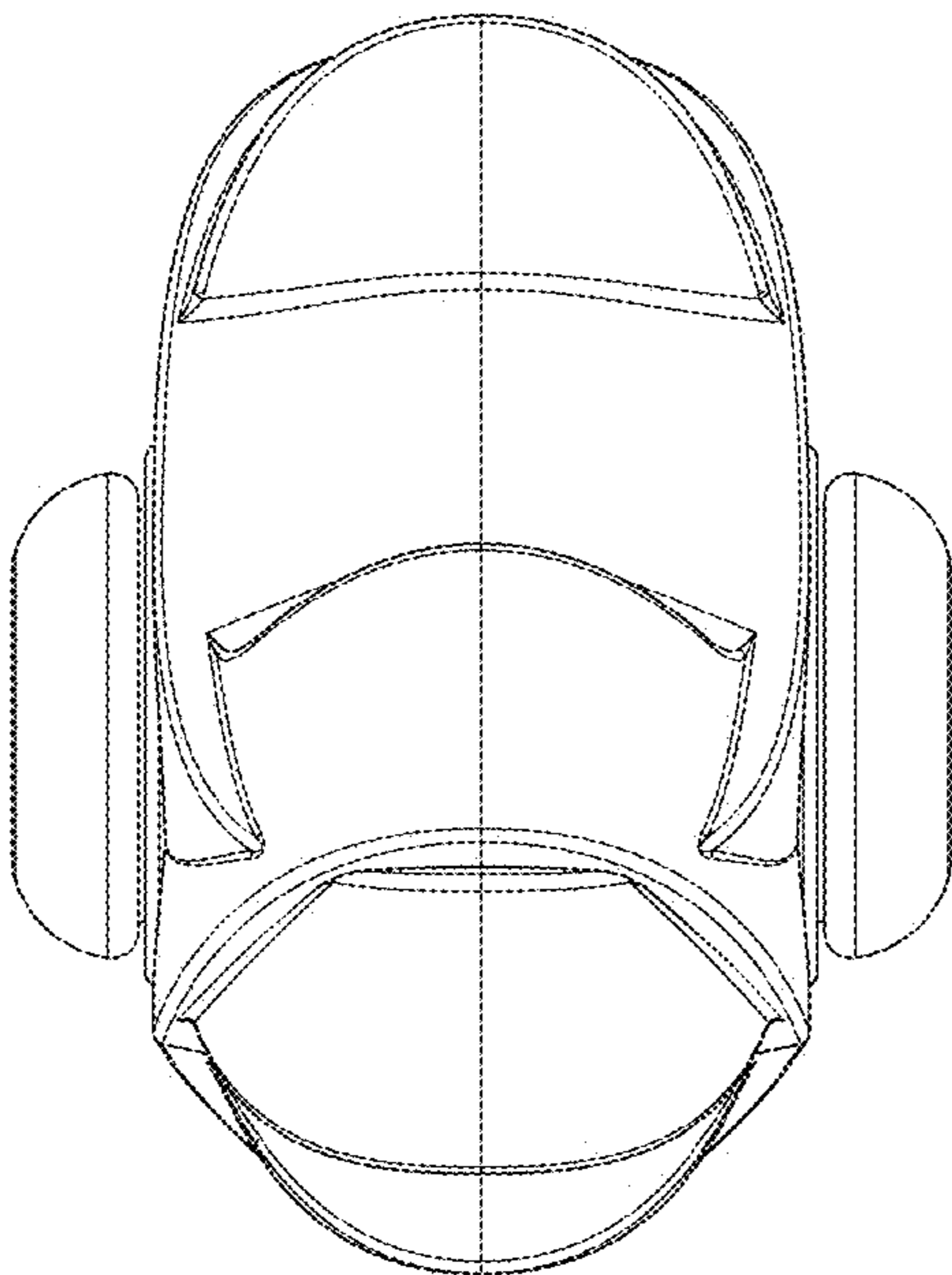


Fig. 4.

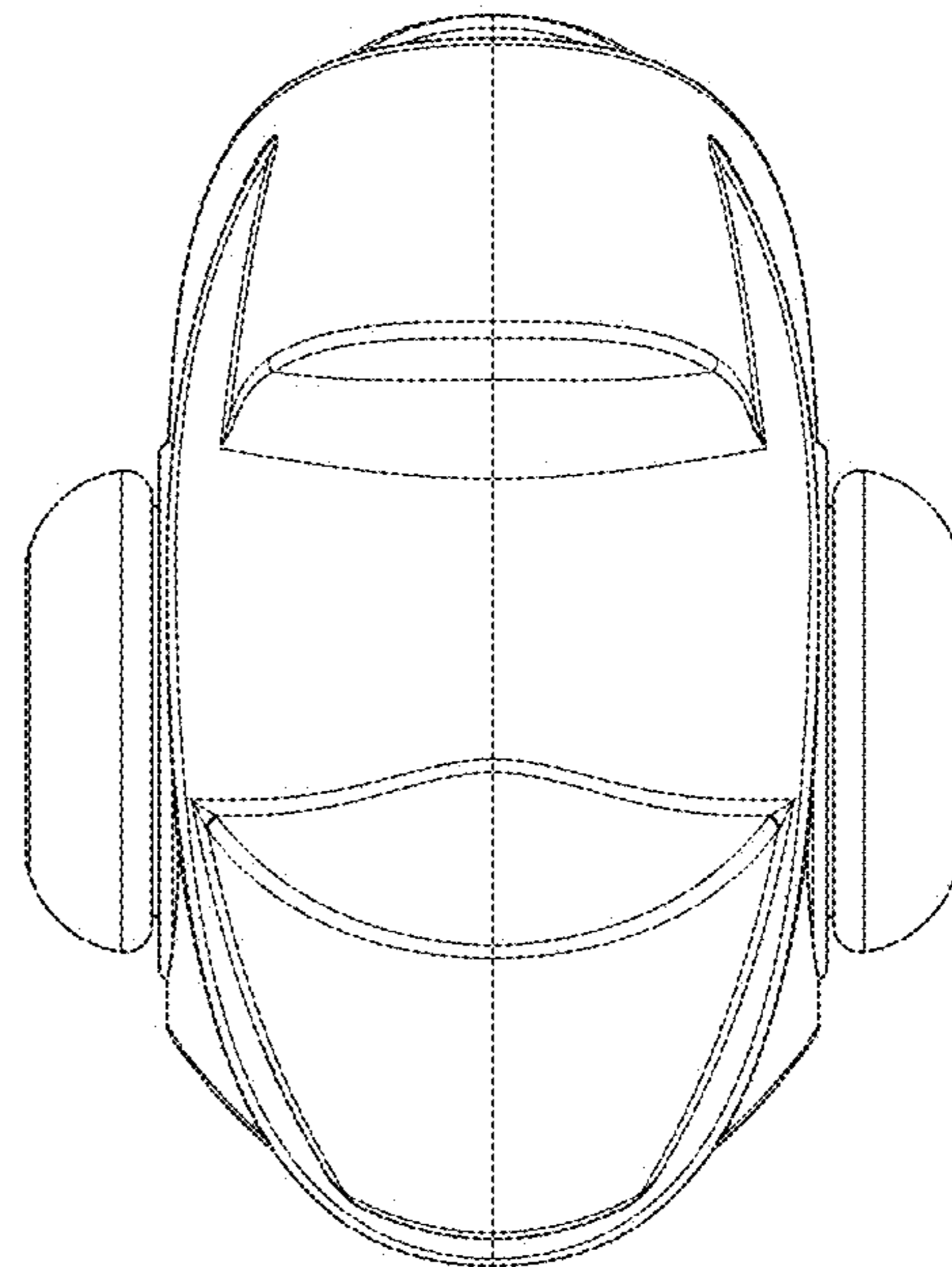


Fig. 5.

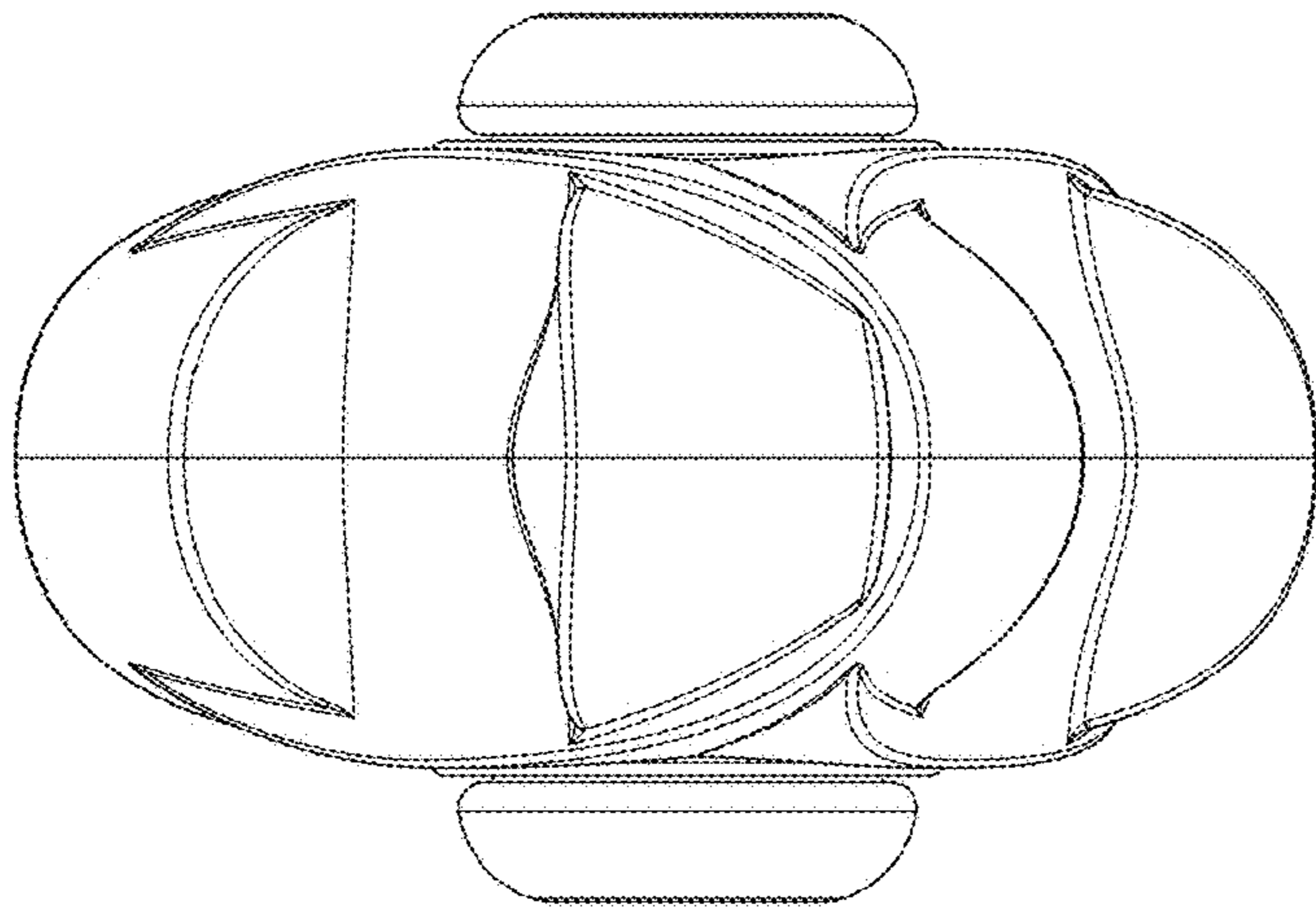


Fig. 6.

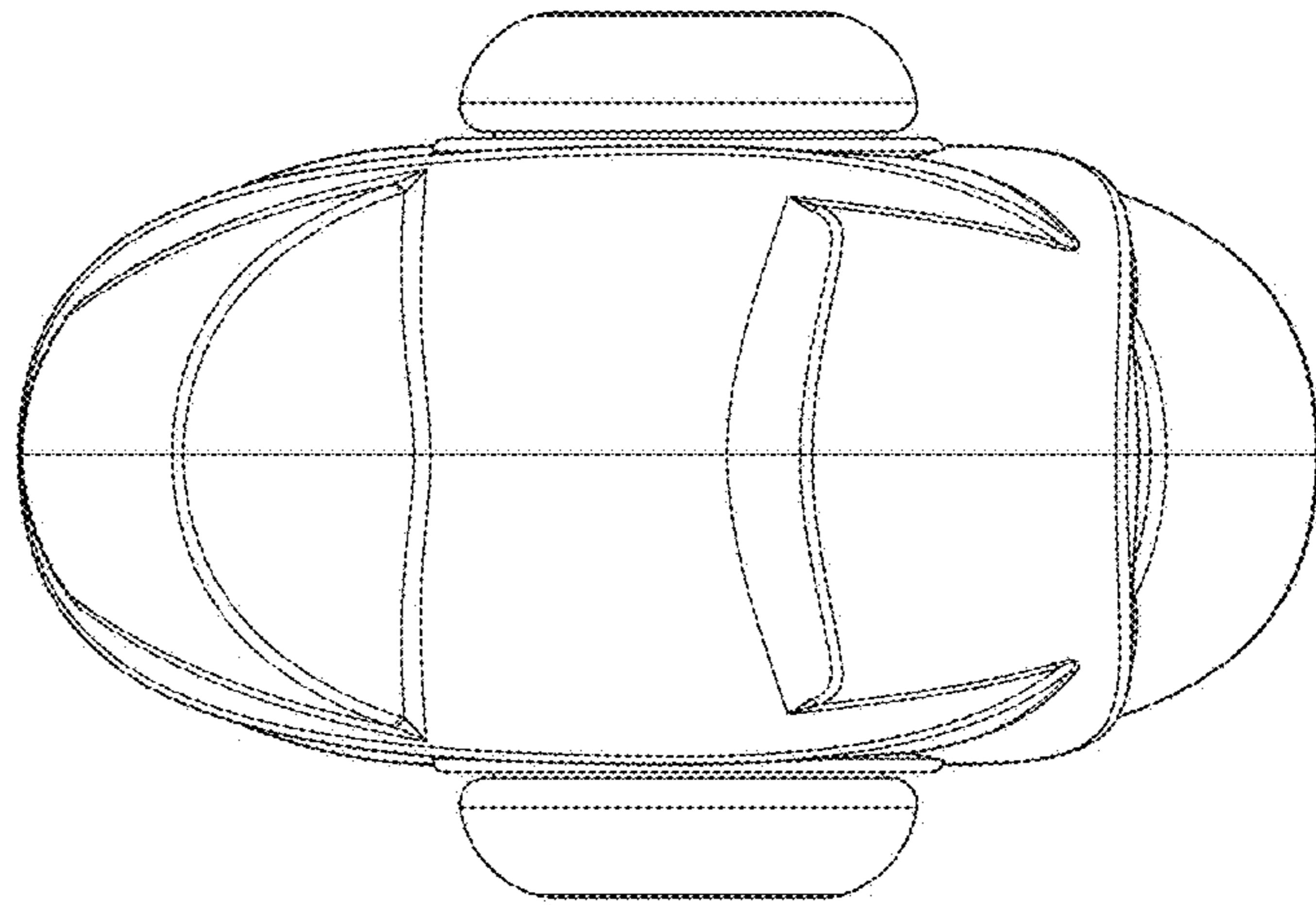


Fig. 7.

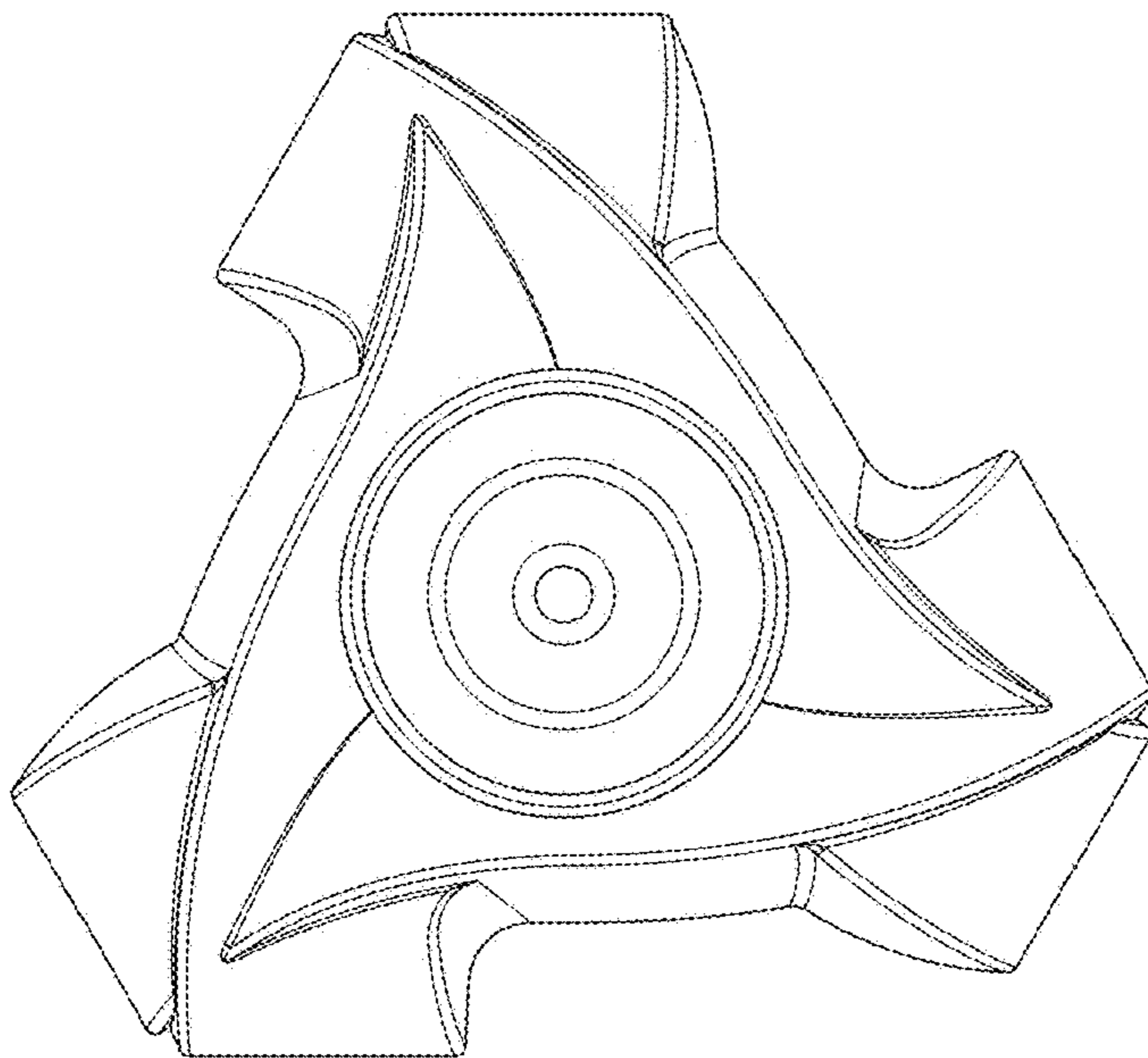


Fig. 8.