



US00D836256S

(12) **United States Design Patent** (10) **Patent No.:** **US D836,256 S**
Woods et al. (45) **Date of Patent:** **** Dec. 18, 2018**

(54) **PET TOY**
(71) Applicant: **HYPER PET LLC**, Wichita, KS (US)
(72) Inventors: **Randall J. Woods**, Goddard, KS (US);
Sonia S. Cox, Andover, KS (US)
(73) Assignee: **Hyper Pet LLC**, Wichita, KS (US)
(**) Term: **15 Years**

D624,712 S * 9/2010 McCann D30/160
D629,056 S * 12/2010 Grimm D21/707
D646,343 S * 10/2011 Chapa, Jr. D21/707
D664,722 S * 7/2012 McCann D30/160
D700,755 S * 3/2014 Reiss D30/121
D708,817 S * 7/2014 Axelrod D1/106
D712,602 S * 9/2014 Chen D30/160
D719,707 S * 12/2014 Axelrod D1/199
D751,258 S * 3/2016 Setser D30/160
D754,934 S * 4/2016 Guthrie D30/160
D758,024 S * 5/2016 Setser D30/160

(Continued)

(21) Appl. No.: **29/583,994**
(22) Filed: **Nov. 10, 2016**
(51) **LOC (11) Cl.** **30-99**
(52) **U.S. Cl.**
USPC **D30/160**
(58) **Field of Classification Search**
USPC D30/160, 162, 460-464, 721-723, 121;
D1/129, 126-127; 119/702, 706-711, 29;
D21/204, 373, 391, 498, 703
CPC A01K 15/026; A01K 15/02
See application file for complete search history.

OTHER PUBLICATIONS

Hyper Pet Hyper Chewz Chew Toys for Dogs. Posted Jun. 28, 2013 [online], [retrived Dec. 12, 2017]. Retrived from internet: https://www.amazon.com/Hyper-Pet-Chewz-Bumpy-Ball/product-reviews/B00BIGLFOK/ref=cm_cr_getr_d_paging_btm_68?ie=UTF8&reviewerType=all_reviews&sortBy=recent&pageNumber=68.*

(Continued)

Primary Examiner — Barbara Fox
Assistant Examiner — Mehri F Bajoul
(74) *Attorney, Agent, or Firm* — Hovey Williams LLP

(56) **References Cited**

U.S. PATENT DOCUMENTS

D317,805 S * 6/1991 Swan D21/707
D337,398 S * 7/1993 Axelrod D30/160
D358,858 S * 5/1995 McGreevy D21/707
D396,253 S * 7/1998 Beecher D21/406
D431,848 S * 10/2000 Hubbard D21/398
D433,777 S * 11/2000 Simon D30/160
D439,378 S * 3/2001 Loomis D30/160
D456,570 S * 4/2002 Tsengas D30/160
D516,640 S * 3/2006 Shore D21/707
D532,113 S * 11/2006 Huang D21/386
D554,811 S * 11/2007 Rutherford D30/160
D585,162 S * 1/2009 Partain D30/160
D601,645 S * 10/2009 Chapa, Jr. D21/707
7,694,653 B2 * 4/2010 Axelrod A01K 15/026
119/707
D617,395 S * 6/2010 Colangelo D21/492

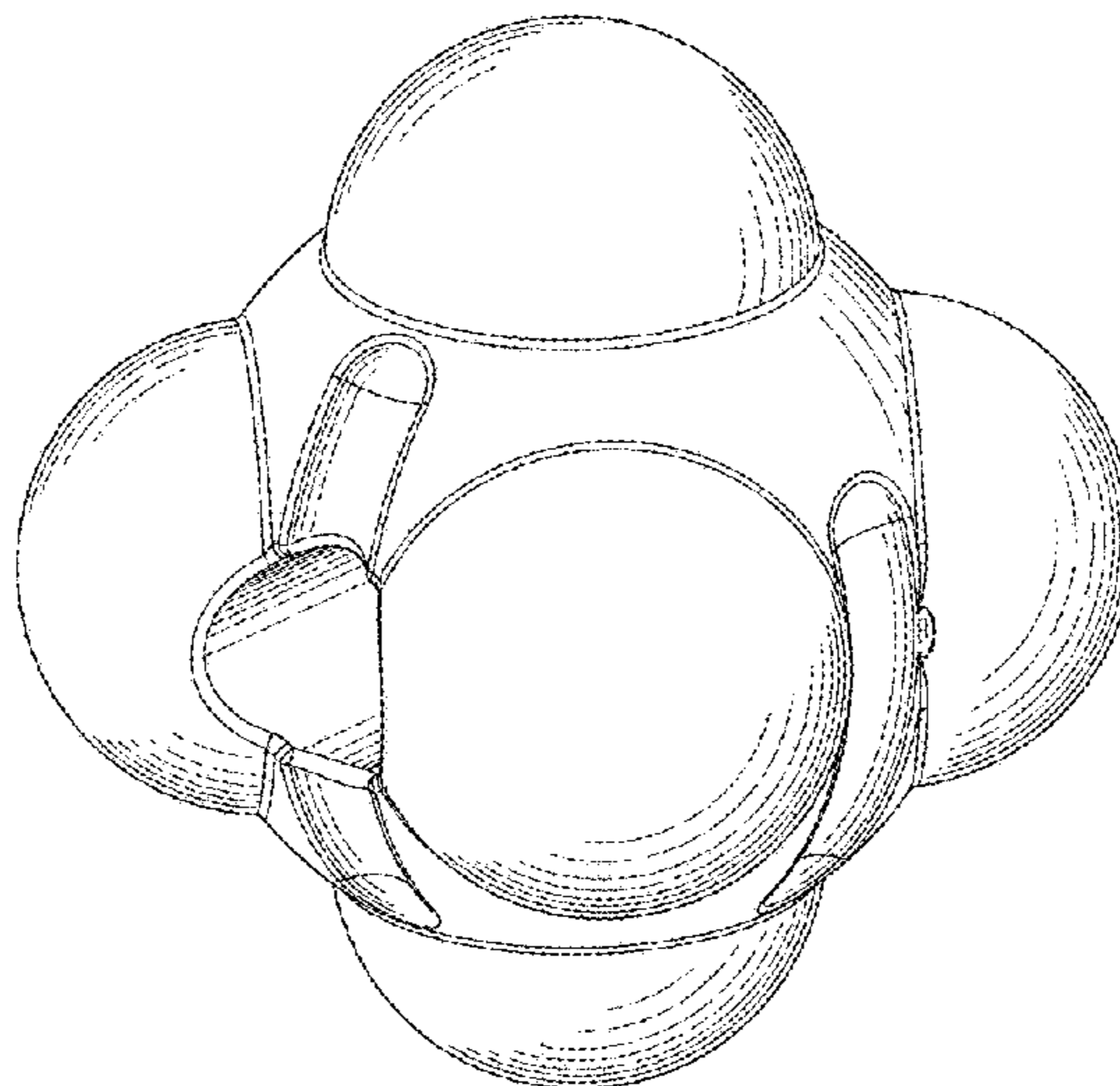
(57) **CLAIM**

The ornamental design for a pet toy, as shown and described.

DESCRIPTION

FIG. 1 is a top, front, right perspective view of a pet toy, showing our new design;
FIG. 2 is a front elevational view of the pet toy of FIG. 1;
FIG. 3 is a left side elevational view of the pet toy of FIG. 1;
FIG. 4 is a right side elevational view of the pet toy of FIG. 1;
FIG. 5 is a top plan view of the pet toy of FIG. 1; and,
FIG. 6 is a bottom plan view of the pet toy of FIG. 1.

1 Claim, 2 Drawing Sheets



(56)

References Cited

U.S. PATENT DOCUMENTS

D779,136 S * 2/2017 Eisenbarth D30/160
2011/0028063 A1 * 2/2011 Colangelo A63H 33/062
446/120

OTHER PUBLICATIONS

“Hyper Pet Hyper Chewz Chew Toys for Dogs”. POsted Nov. 22, 2014 [online], [retrived Online Dec. 12, 2017]. Retrived from internet: <https://www.walmart.com/ip/Hyper-Pet-Hyper-Chewz-Bumpy-Ball/26103030>.*

* cited by examiner

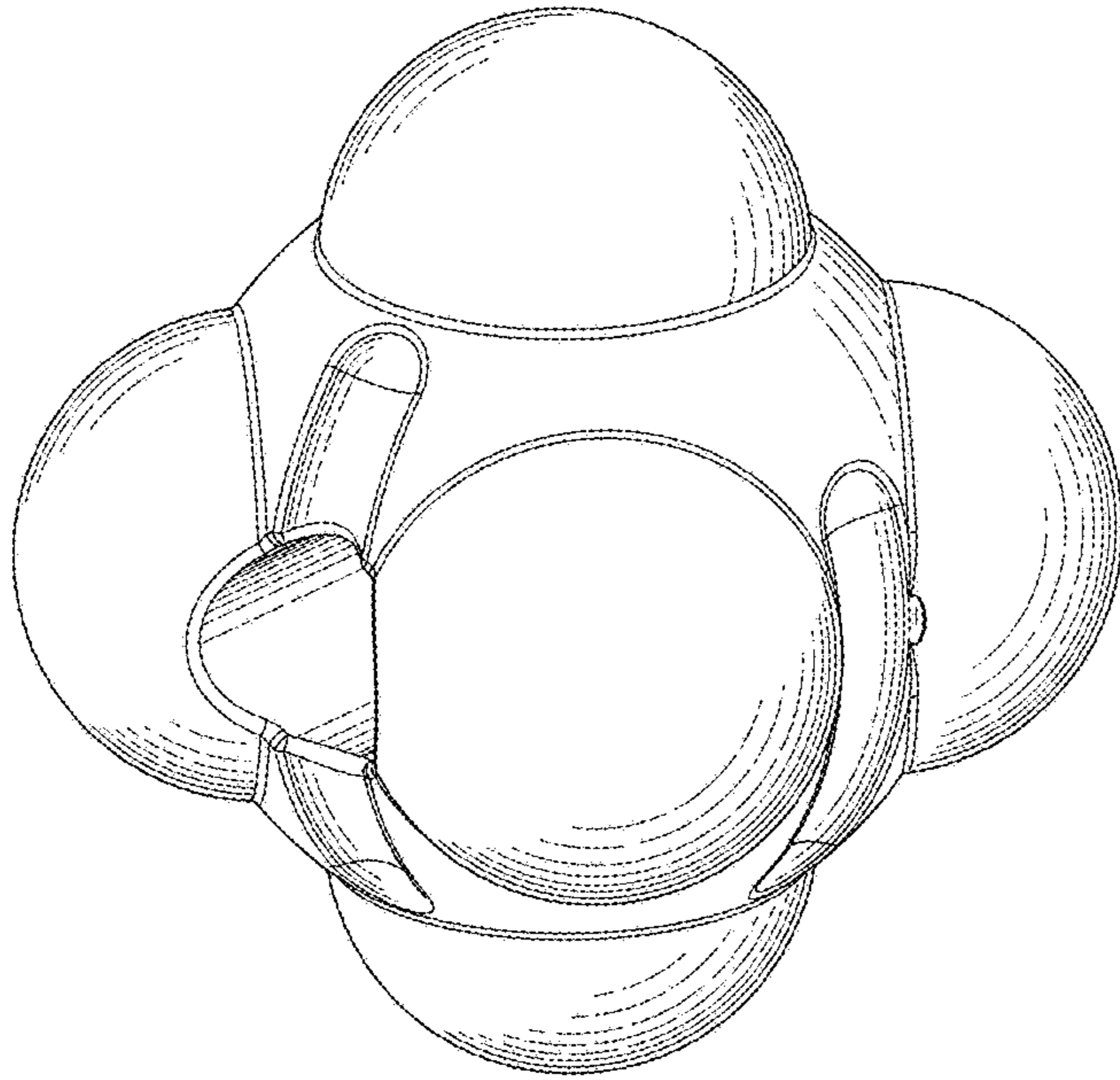


Fig. 1.

Fig. 2.

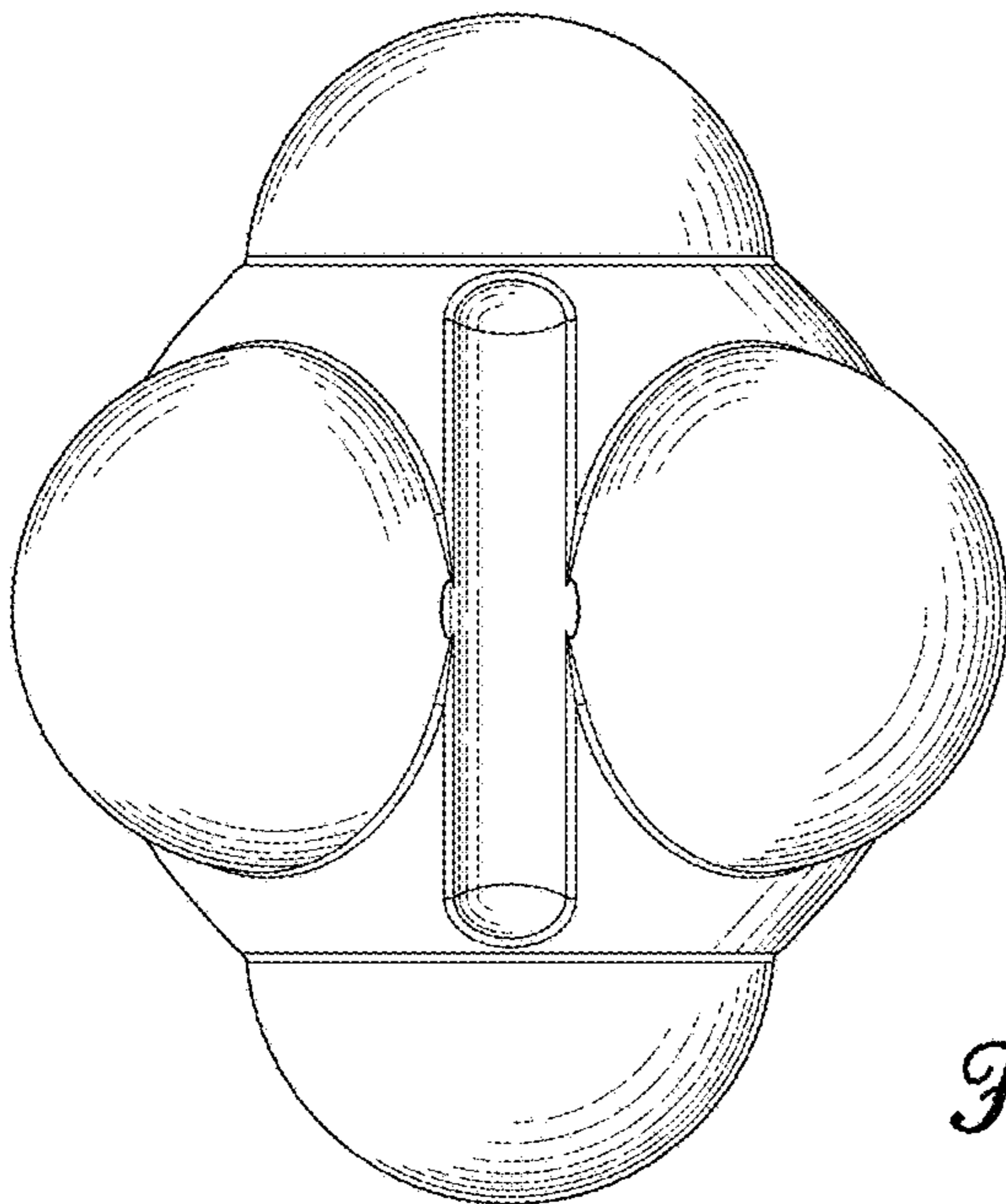
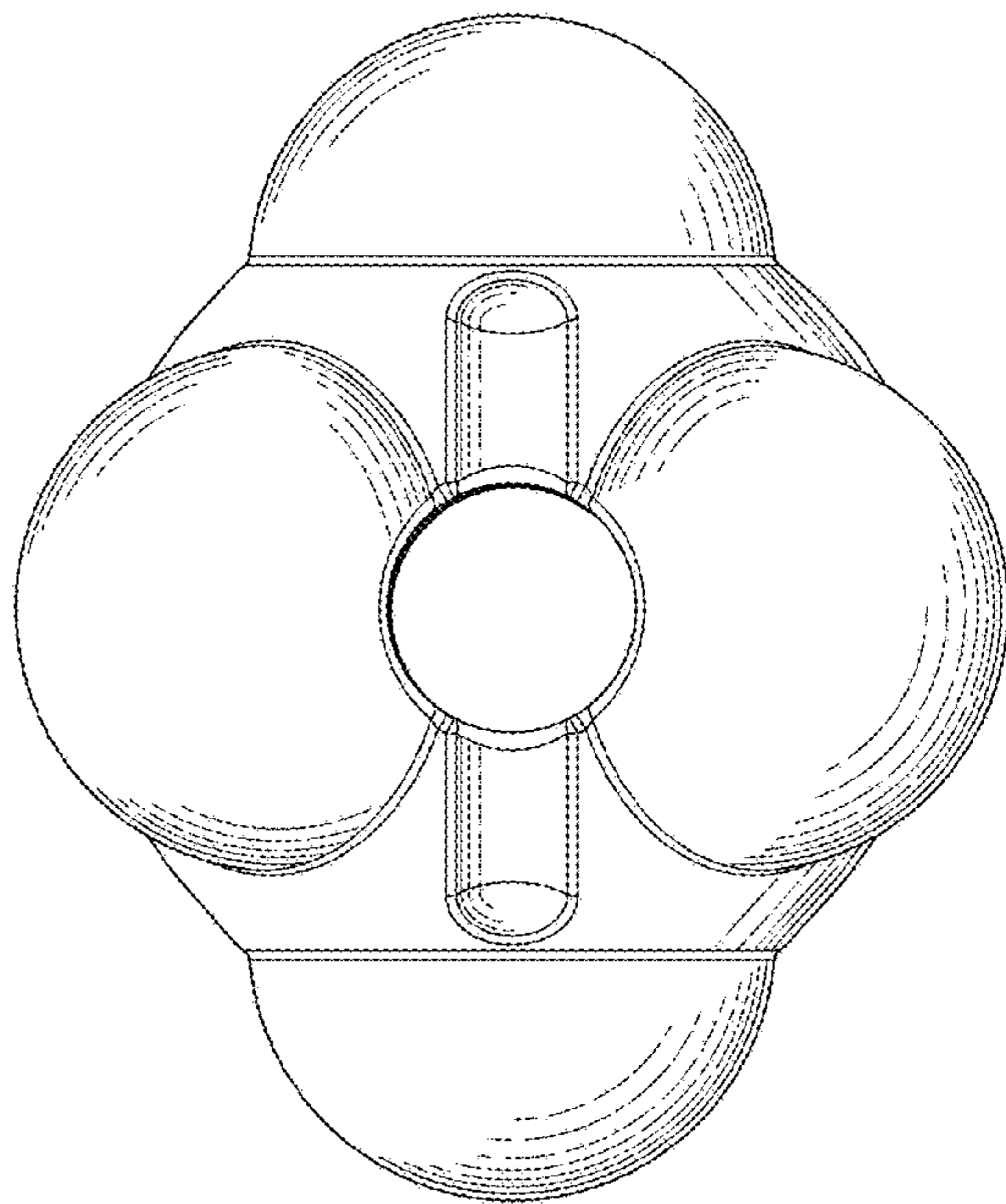


Fig. 3.

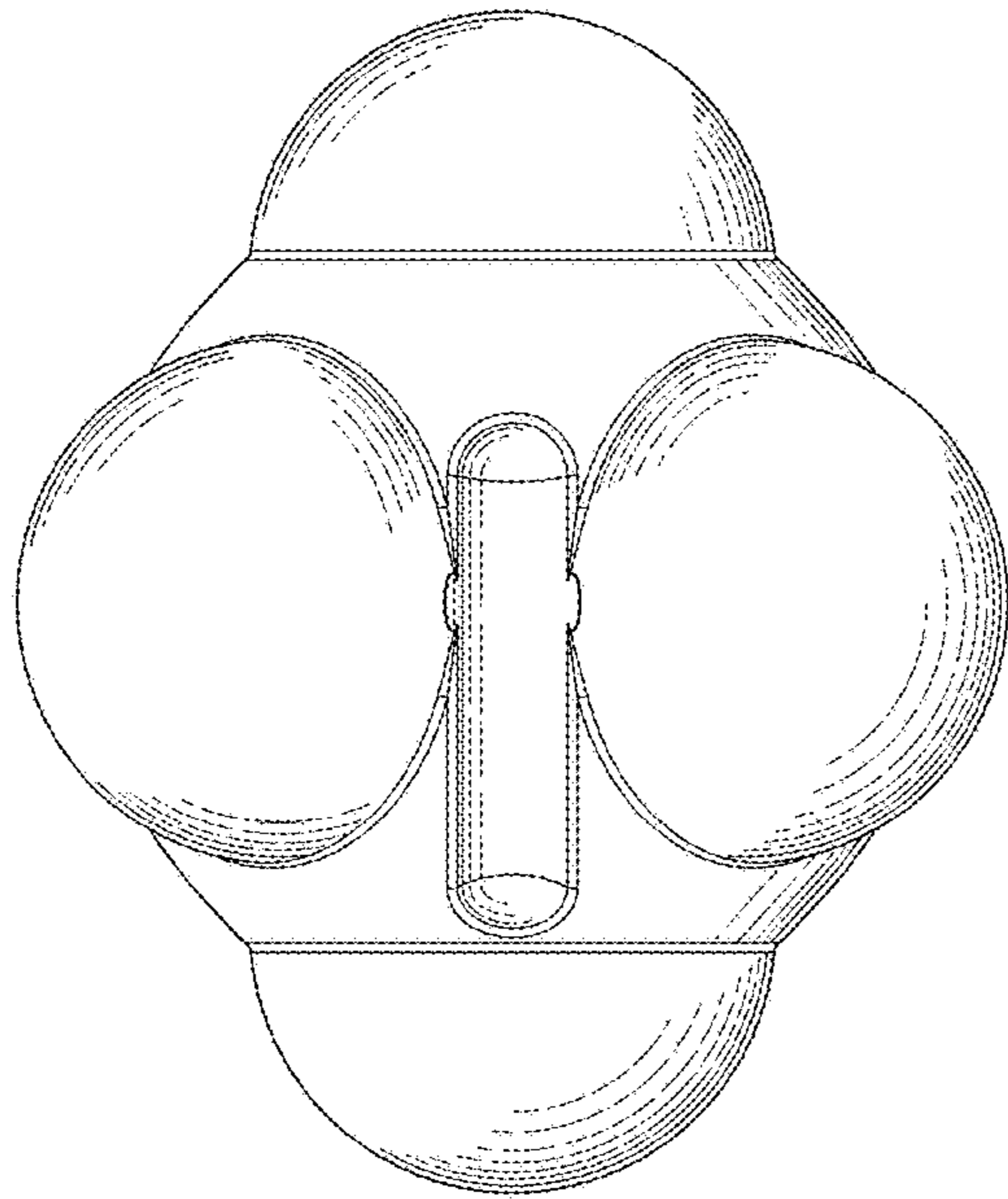


Fig. 4.

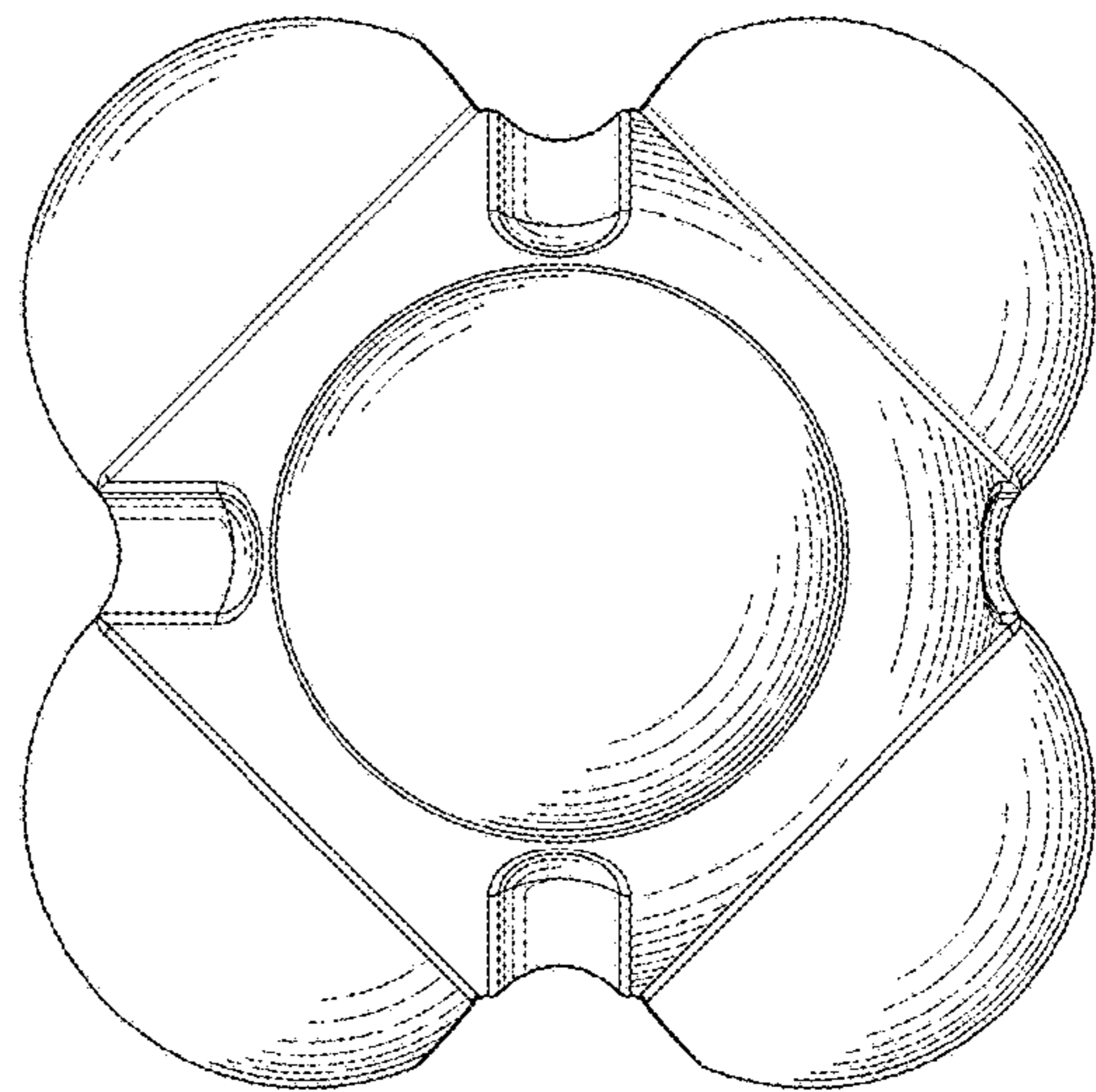


Fig. 5.

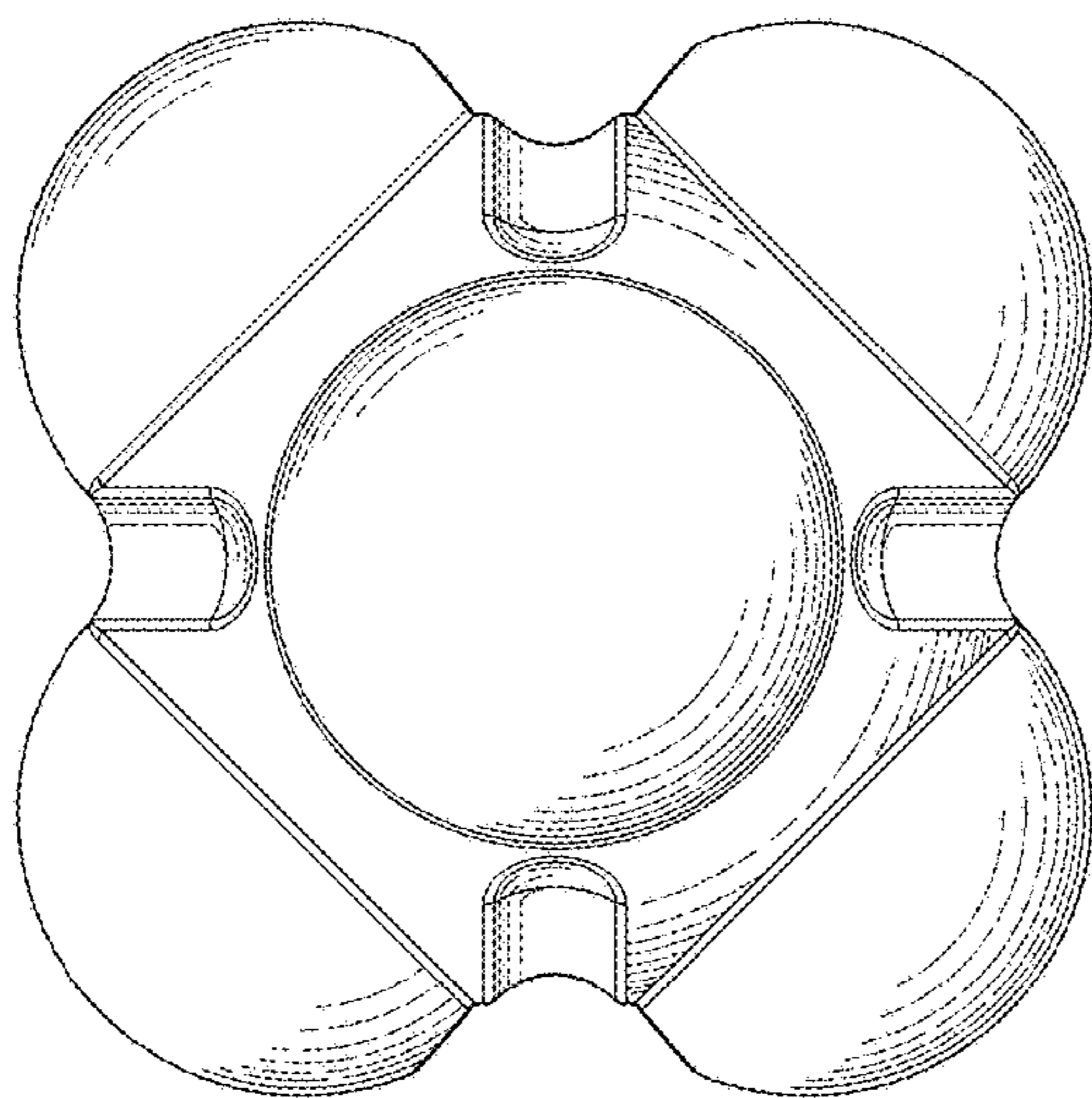


Fig. 6.