



US00D836250S

(12) **United States Design Patent** (10) **Patent No.:** **US D836,250 S**  
**Rice** (45) **Date of Patent:** **\*\* Dec. 18, 2018**

(54) **HEAD SCRATCHER DEVICE**

FOREIGN PATENT DOCUMENTS

(71) Applicant: **Rosalynn Rice**, Houston, TX (US)

KR 300687552.0000 \* 4/2013

(72) Inventor: **Rosalynn Rice**, Houston, TX (US)

OTHER PUBLICATIONS

(\*\*) Term: **15 Years**

Handheld Shower Head with Hose, Delta, amazon.com, posted by customer on Dec. 5, 2014 © 1996-2018, Amazon.com, Inc., online, site visited Jun. 18, 2018. Available from Internet, URL: <https://www.amazon.com/58467-4-Spray-In2ition-Shower-Chrome/dp/B006WKKFM0> (Year: 2014).\*

(21) Appl. No.: **29/610,353**

(22) Filed: **Jul. 11, 2017**

(51) **LOC (11) Cl.** ..... **28-99**

(52) **U.S. Cl.**

USPC ..... **D28/91.2**

(58) **Field of Classification Search**

USPC ..... D28/7-8, 66, 91.2, 93; D7/642; D8/69; 463/47.7; 601/134; D21/723-724, 729, D21/731

CPC ..... A61H 7/00; A61H 7/001; A61H 7/002; A61H 7/003; A61H 7/004; A61H 7/005; A61H 2205/081; A01B 1/04; A01B 1/14

See application file for complete search history.

*Primary Examiner* — Shannon W Morgan

*Assistant Examiner* — Altaira J Swangin

(74) *Attorney, Agent, or Firm* — The Law Firm of Andrea Hence Evans, LLC

(57) **CLAIM**

The ornamental design for a head scratcher device, as shown and described.

(56) **References Cited**

**DESCRIPTION**

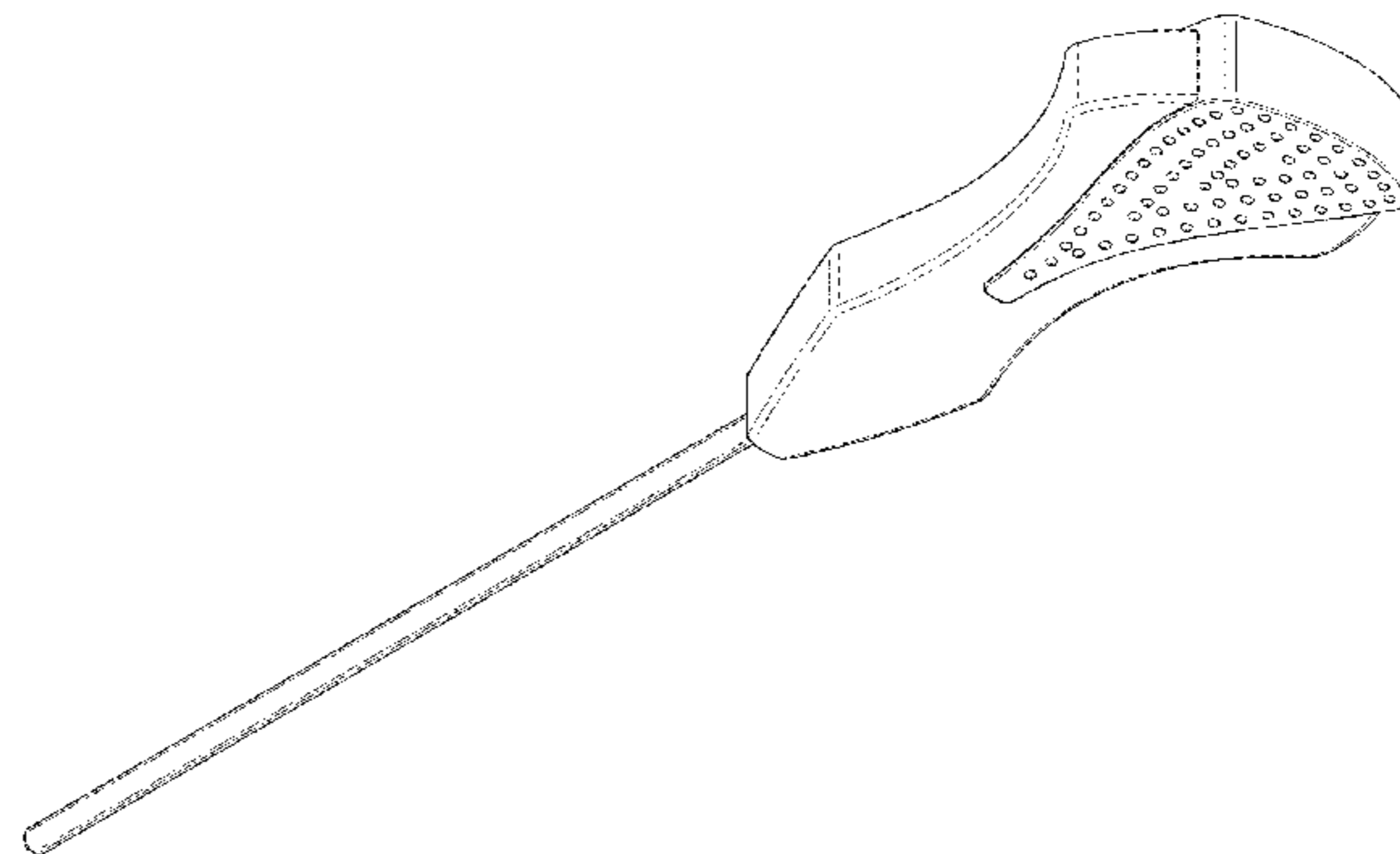
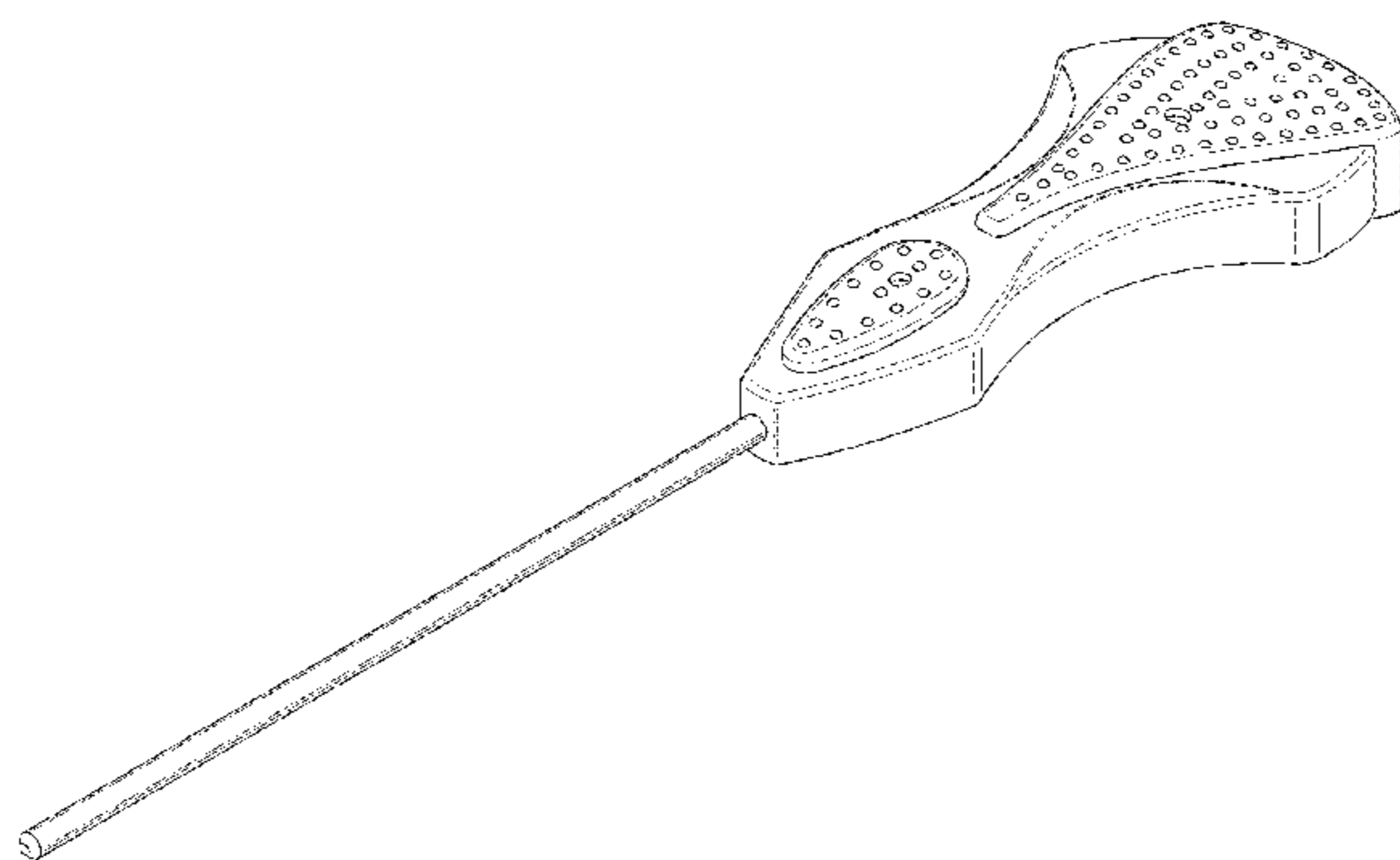
U.S. PATENT DOCUMENTS

3,262,459	A	7/1966	Sheehan	
3,768,463	A	10/1973	Curry	
D244,680	S *	6/1977	Leidigh	D12/215
D271,899	S *	12/1983	Hillesheim	D21/731
D316,125	S *	4/1991	Poulakis	D21/731
D340,096	S *	10/1993	Woo	D21/731
D342,999	S *	1/1994	Gonsalves, Jr.	D24/147
D343,608	S *	1/1994	Nazara	D12/215
5,651,549	A *	7/1997	Dill	A63B 49/10 473/513
D412,764	S *	8/1999	Godbout	D28/59
D413,985	S *	9/1999	Martin	D24/211
D460,554	S *	7/2002	Park	D24/133
D478,381	S *	8/2003	Tai	D23/411
D479,927	S *	9/2003	Hobb	D6/716.7
7,201,678	B2 *	4/2007	Filice	A63B 60/08 473/513
7,214,150	B2 *	5/2007	Filice	A63B 49/14 473/513

FIG. 1 is a top front isometric view of a head scratcher device;  
FIG. 2 is a bottom rear isometric view of the head scratcher device design of FIG. 1;  
FIG. 3 is a front view of the head scratcher device design of FIG. 1;  
FIG. 4 is a rear view of the head scratcher device design of FIG. 1;  
FIG. 5 is a left side view of the head scratcher device design of FIG. 1;  
FIG. 6 is a right side view of the head scratcher device design of FIG. 1;  
FIG. 7 is a top view of the head scratcher device design of FIG. 1; and,  
FIG. 8 is a bottom view of the head scratcher device design of FIG. 1.

(Continued)

**1 Claim, 4 Drawing Sheets**



(56)

**References Cited**

U.S. PATENT DOCUMENTS

D589,099 S \* 3/2009 Purnell ..... D21/724  
D599,472 S \* 9/2009 Klausning ..... D23/413  
D601,240 S \* 9/2009 Klausning ..... D23/413  
7,682,269 B1 \* 3/2010 Gait ..... A63B 59/20  
473/513  
D632,629 S \* 2/2011 Bradley ..... D12/215  
D649,238 S \* 11/2011 Passauer, III ..... D23/411  
D669,212 S \* 10/2012 McGowan ..... D26/147  
D681,185 S \* 4/2013 Passauer, III ..... D23/411  
8,997,756 B2 4/2015 Haynes  
D741,017 S \* 10/2015 Exley ..... D28/59  
D745,976 S 12/2015 Haynes  
D804,392 S \* 12/2017 Harvell ..... D12/215  
D818,066 S \* 5/2018 Bjork ..... D21/757  
D818,930 S \* 5/2018 Bell ..... D12/215  
2011/0245811 A1 10/2011 Sabal  
2015/0366744 A1 12/2015 Rivers  
2016/0346159 A1 12/2016 Dixon  
2017/0056278 A1 3/2017 Miles

\* cited by examiner

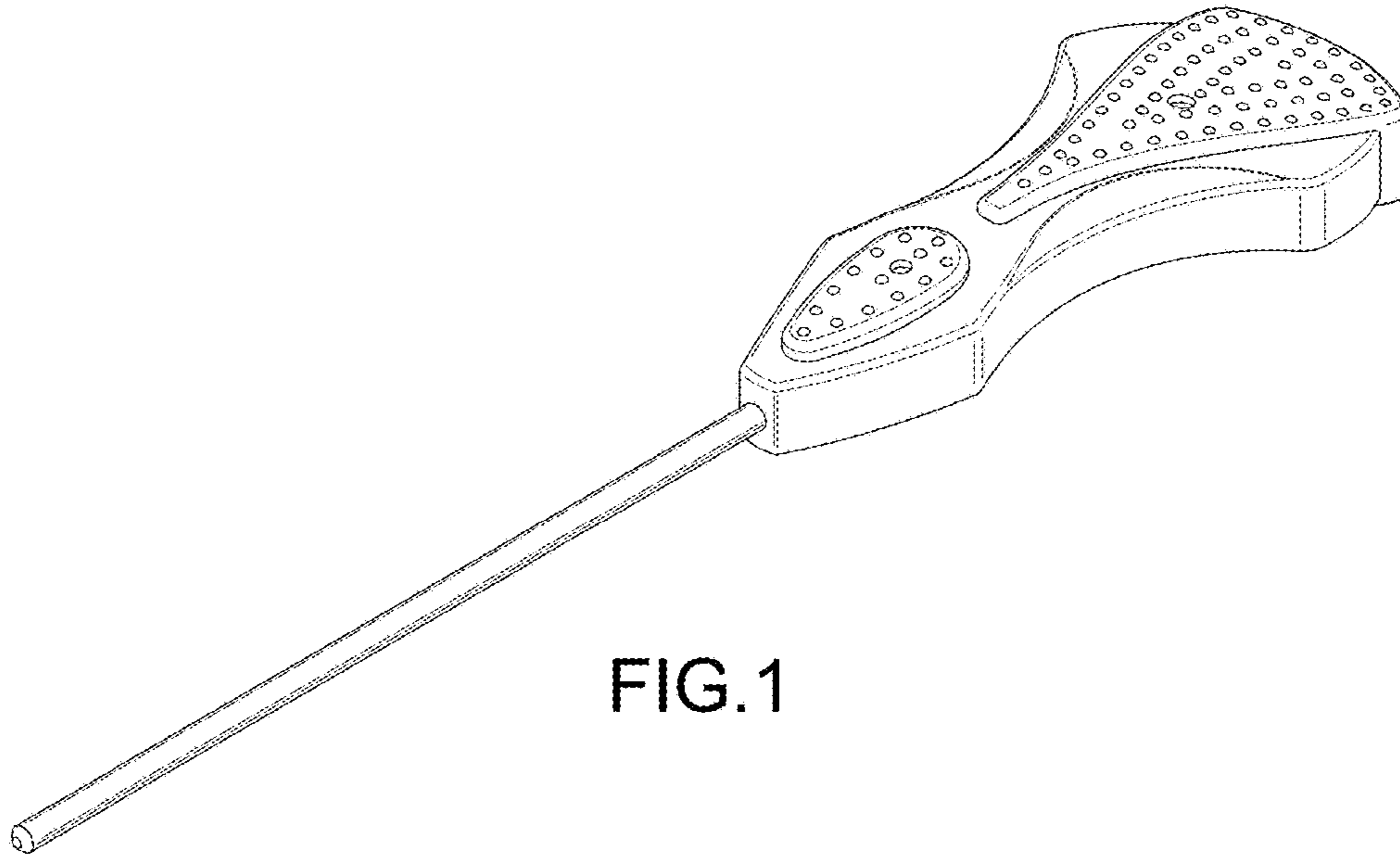


FIG.1

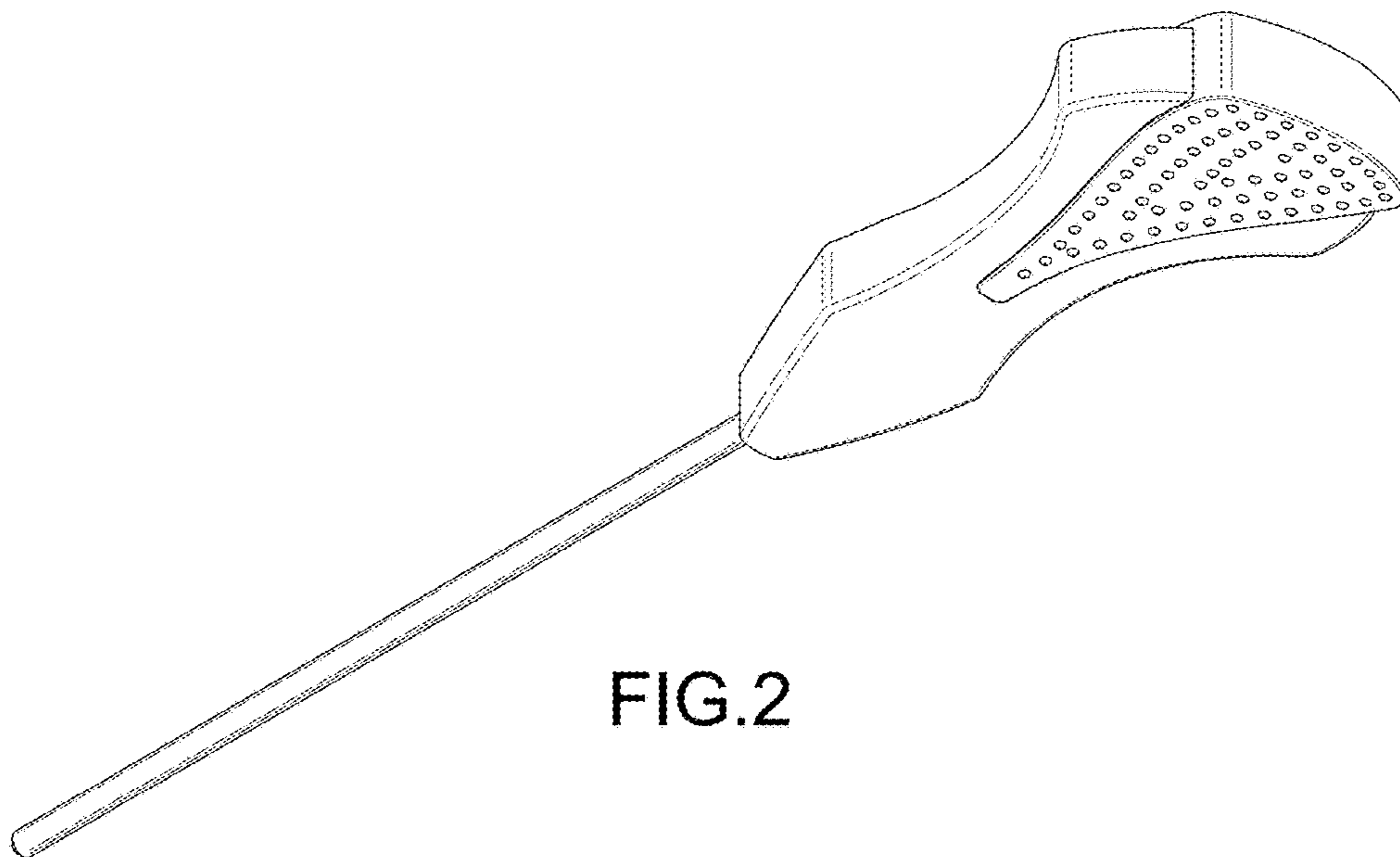


FIG.2

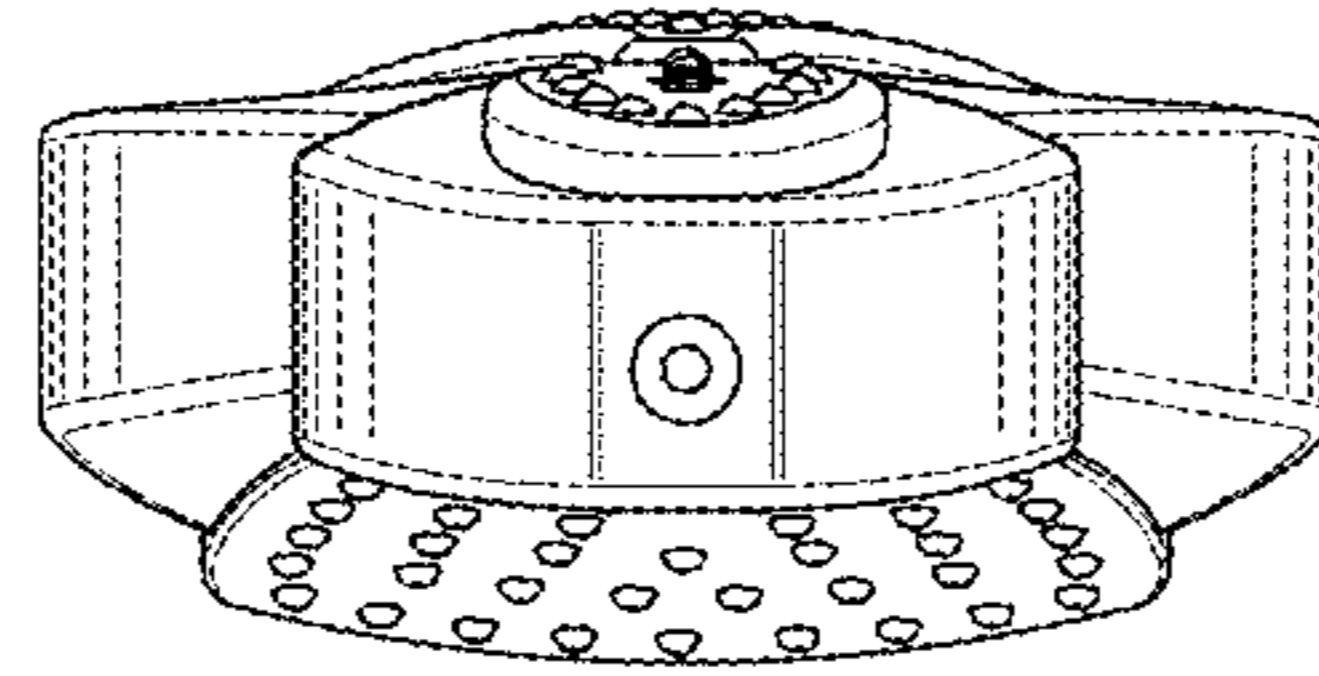


FIG.3

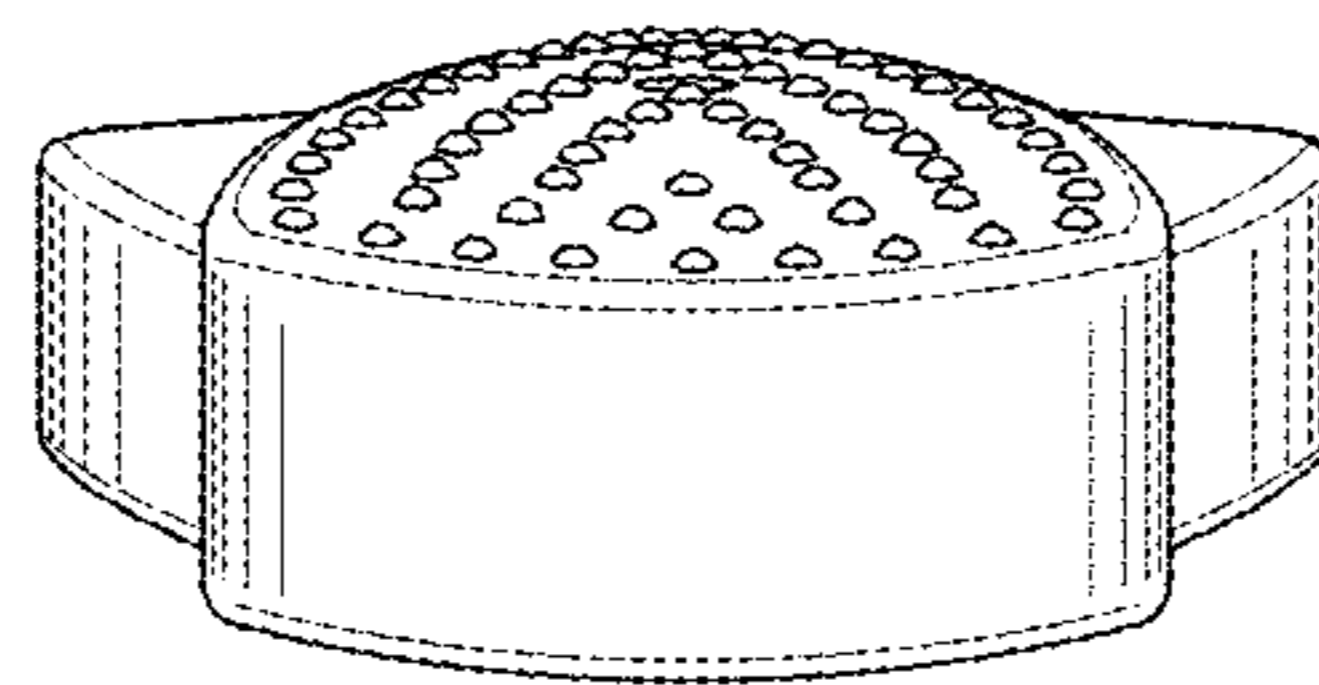


FIG.4

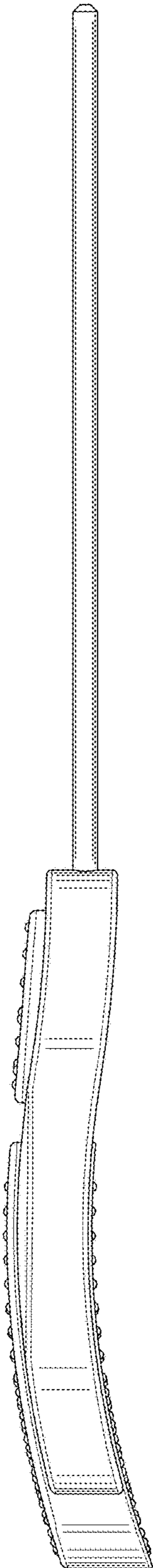


FIG. 5

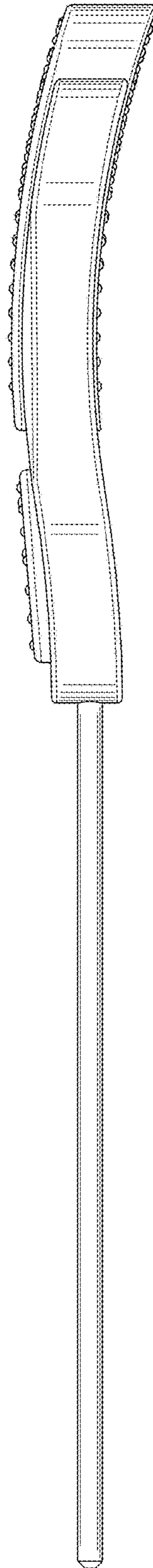


FIG. 6



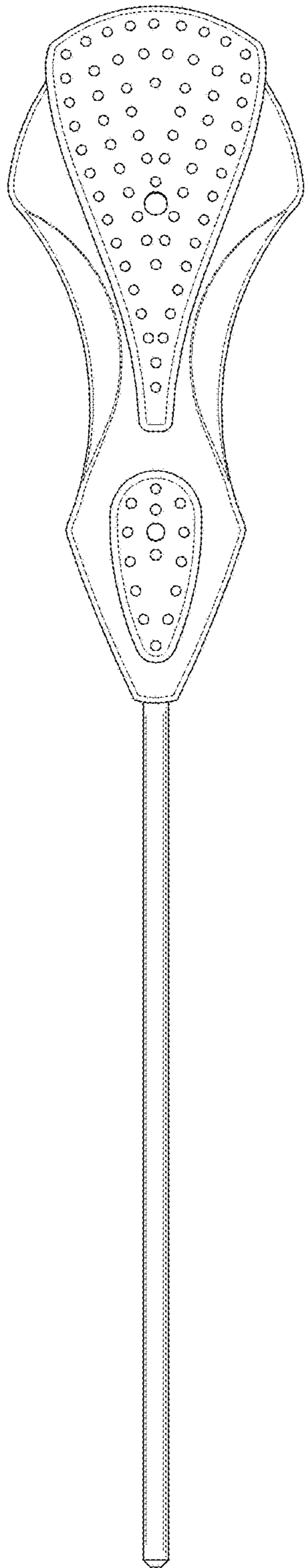


FIG. 7

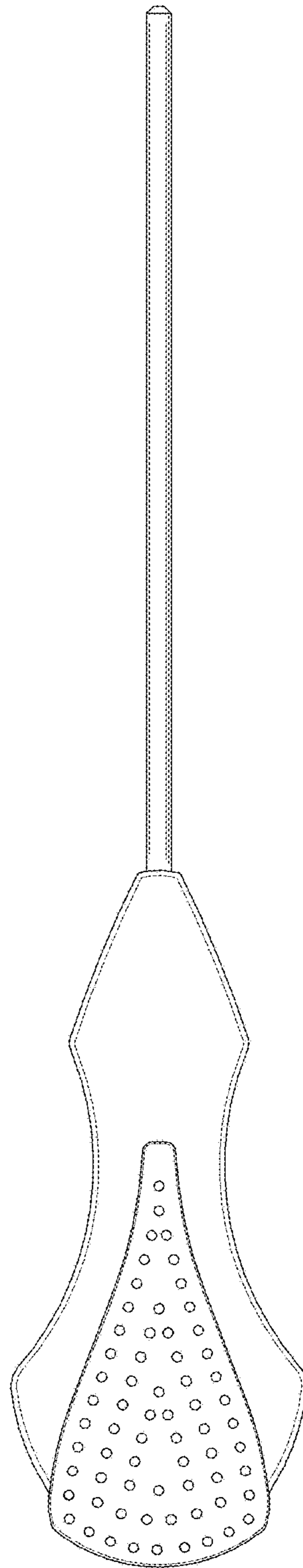


FIG. 8