



US00D836244S

(12) **United States Design Patent** (10) **Patent No.:** **US D836,244 S**
Floyd (45) **Date of Patent:** **** Dec. 18, 2018**

(54) **HAND HELD COSMETIC DEVICE**
(71) Applicant: **The Procter & Gamble Company**,
Cincinnati, OH (US)
(72) Inventor: **Brian Lee Floyd**, Cincinnati, OH (US)
(73) Assignee: **The Procter & Gamble Company**,
Cincinnati, OH (US)

8,184,901 B2 5/2012 Edgar
8,231,292 B2 7/2012 Rabe
D674,485 S 1/2013 Flyash et al.
D676,959 S 2/2013 Flyash et al.
8,695,610 B2 4/2014 Samain
D722,723 S * 2/2015 Nitsch D28/53
D730,580 S * 5/2015 Palmer D28/53
D733,965 S * 7/2015 Yiu D28/49
D750,325 S * 2/2016 Nho D28/53
D751,252 S * 3/2016 Grabes D28/51

(Continued)

(**) Term: **15 Years**

FOREIGN PATENT DOCUMENTS

(21) Appl. No.: **29/580,980**

FR 2933585 1/2010
JP 2006297691 11/2006

(22) Filed: **Oct. 14, 2016**

(Continued)

(51) **LOC (11) Cl.** **28-02**

(52) **U.S. Cl.**
USPC **D28/7**

OTHER PUBLICATIONS

(58) **Field of Classification Search**
USPC D28/44-54; D24/133; 30/34.1, 34.5,
30/43.7-43.9, 44, 45, 195-221
CPC B26B 19/00; B26B 19/02; B26B 19/04;
B26B 19/046; B26B 19/048
See application file for complete search history.

U.S. Appl. No. 29/580,985, filed Oct. 14, 2016, Brian Lee Floyd.

Primary Examiner — Susan Bennett Hattan
Assistant Examiner — Rebecca Tsehaye
(74) *Attorney, Agent, or Firm* — Melissa G. Krasovec

(56) **References Cited**

(57) **CLAIM**

U.S. PATENT DOCUMENTS

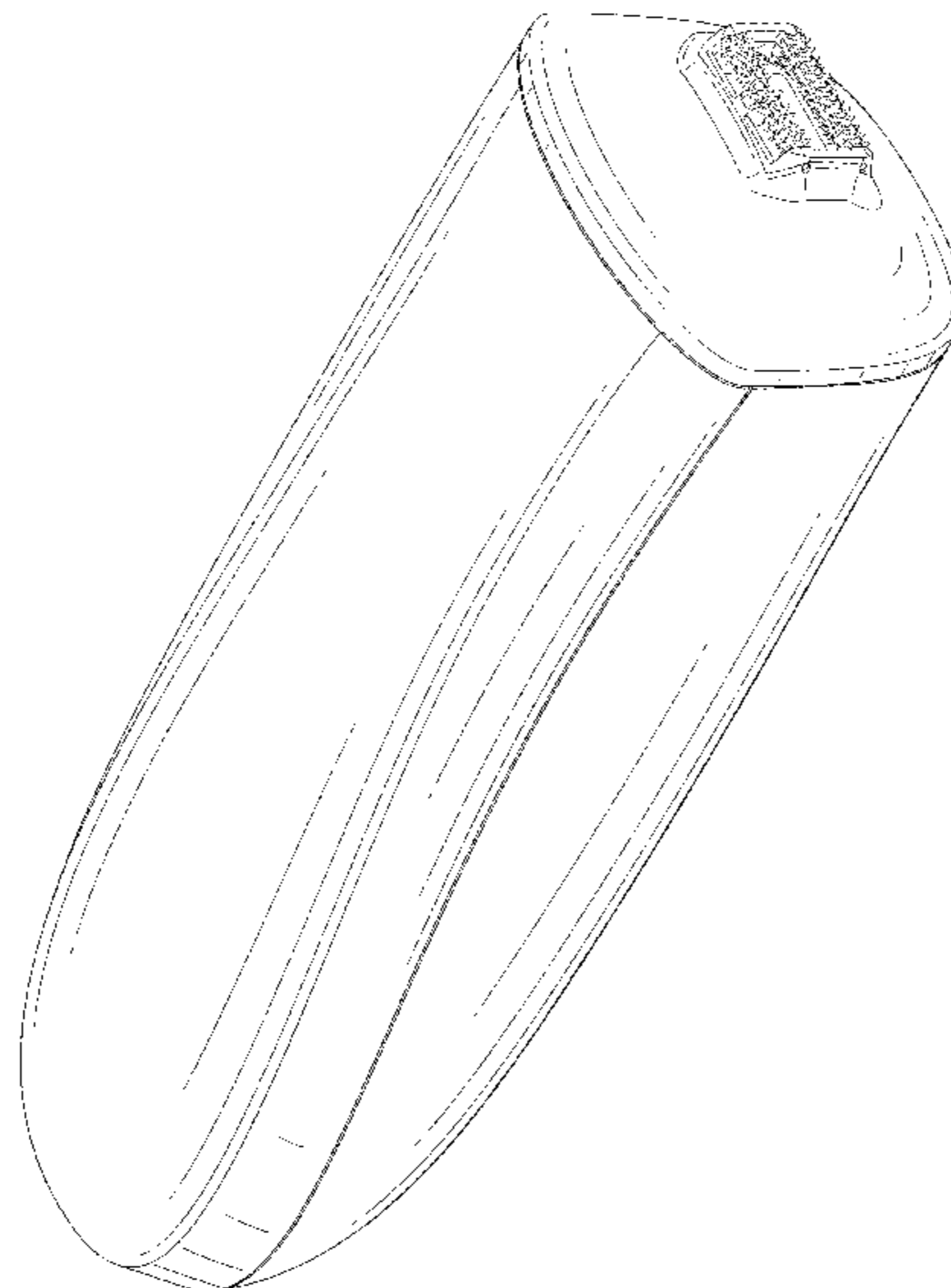
The ornamental design for a hand held cosmetic device, as shown and described.

D340,540 S * 10/1993 Nakashima D28/49
D367,946 S * 3/1996 Akashi D28/51
D423,720 S * 4/2000 Nielsen D28/53
D434,528 S * 11/2000 Kling D28/53
6,312,124 B1 11/2001 Esormeaux
D562,451 S 2/2008 Braynin et al.
D595,407 S 6/2009 Braynin et al.
D604,843 S 11/2009 Braynin et al.
D608,888 S 1/2010 Braynin et al.
7,648,364 B2 1/2010 Dauga
D621,950 S 8/2010 Seki et al.
7,890,152 B2 2/2011 Edgar
8,007,062 B2 8/2011 Edgar
8,027,505 B2 9/2011 Edgar
D646,396 S 10/2011 Seki et al.

DESCRIPTION

FIG. 1 is a perspective view of our new design;
FIG. 2 is a top view of the device of FIG. 1;
FIG. 3 is a bottom view of the device of 1;
FIG. 4 is a first side view of the device of 1;
FIG. 5 is a second side view of the device of 1;
FIG. 6 is a third side view of the device of 1; and,
FIG. 7 is a fourth side view of the device of 1.
The broken lines in the drawings depict portions of the hand held cosmetic device that form no part of the claimed design.

1 Claim, 6 Drawing Sheets



(56)

References Cited

U.S. PATENT DOCUMENTS

D763,509	S *	8/2016	Teteak	D28/51
D784,618	S *	4/2017	Mori	D28/53
D787,746	S *	5/2017	Werner	D28/53
D792,650	S *	7/2017	Mintz	D28/53
D795,497	S *	8/2017	Mintz	D28/53
D799,753	S *	10/2017	Ishikura	D28/53
D800,388	S *	10/2017	Ino	D28/53
D800,389	S *	10/2017	Fleming	D28/53
D800,965	S *	10/2017	Aulwes	D28/53
2003/0060810	A1	3/2003	Syrowicz		
2006/0265823	A1	11/2006	Knopow et al.		
2008/0060665	A1	3/2008	Umeno et al.		
2008/0194971	A1	8/2008	Edgar		
2009/0025747	A1	1/2009	Edgar		
2010/0065576	A1	3/2010	Verheij		
2010/0224205	A1	9/2010	Mitra		
2010/0224209	A1	9/2010	Rabe		
2010/0224210	A1	9/2010	Rabe		
2011/0129283	A1	6/2011	Samain		
2011/0155161	A1	6/2011	Samain		
2011/0159463	A1	6/2011	Samain		
2011/0162673	A1	7/2011	Samain		
2013/0289196	A1	10/2013	Tanrikulu		
2014/0064821	A1	3/2014	Price et al.		

FOREIGN PATENT DOCUMENTS

WO	WO 2009036876	3/2009
WO	WO 2010004531	1/2010

* cited by examiner

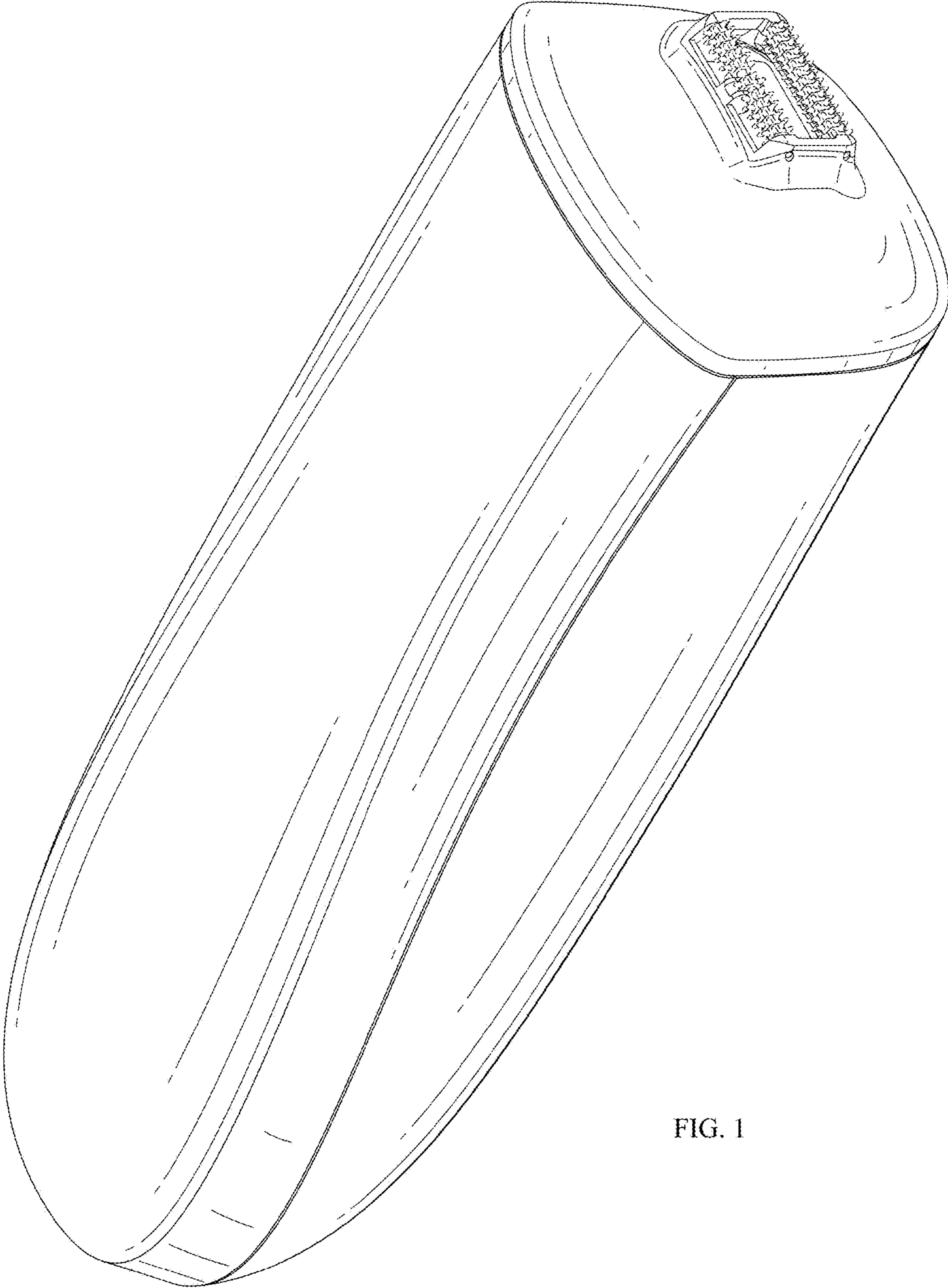


FIG. 1

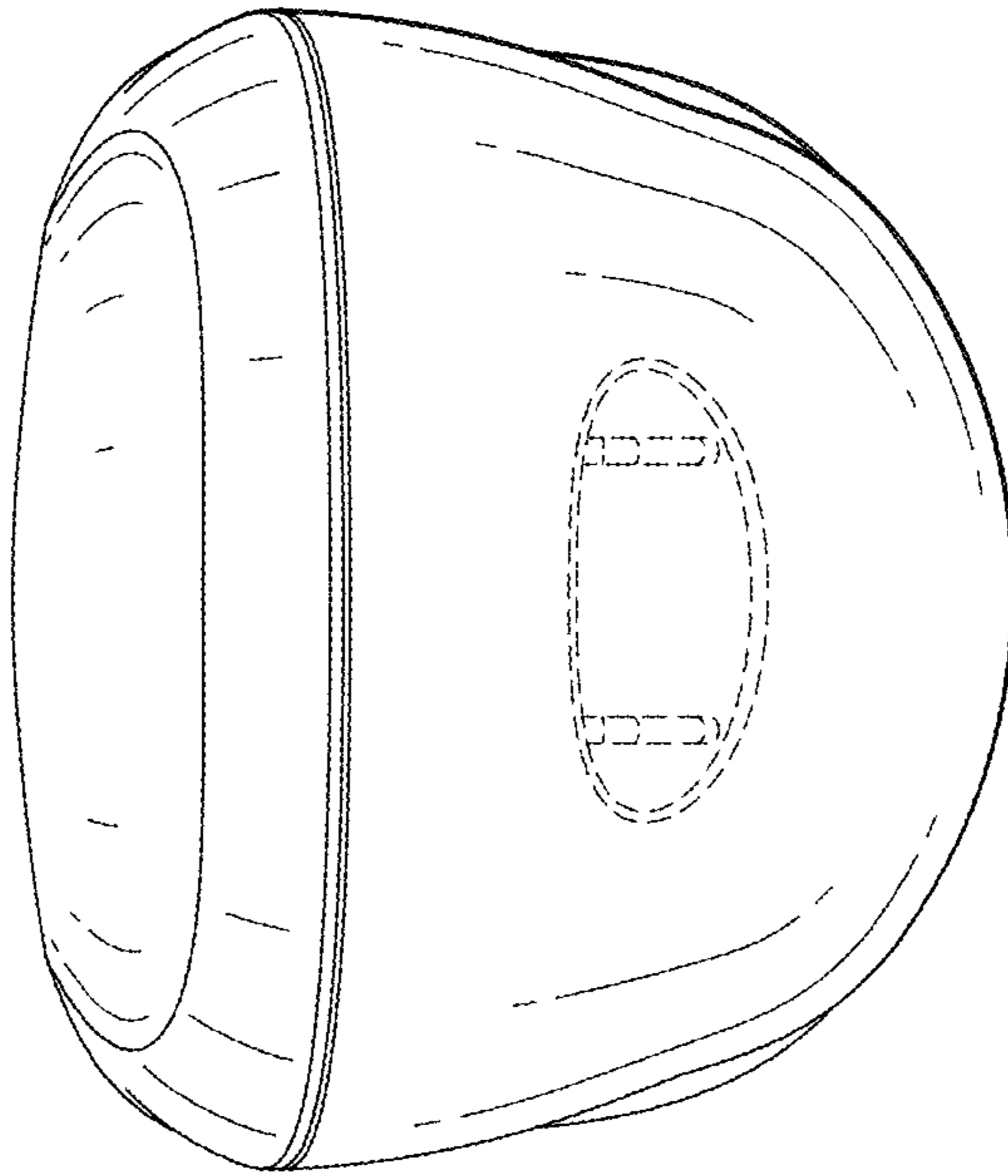


FIG. 3

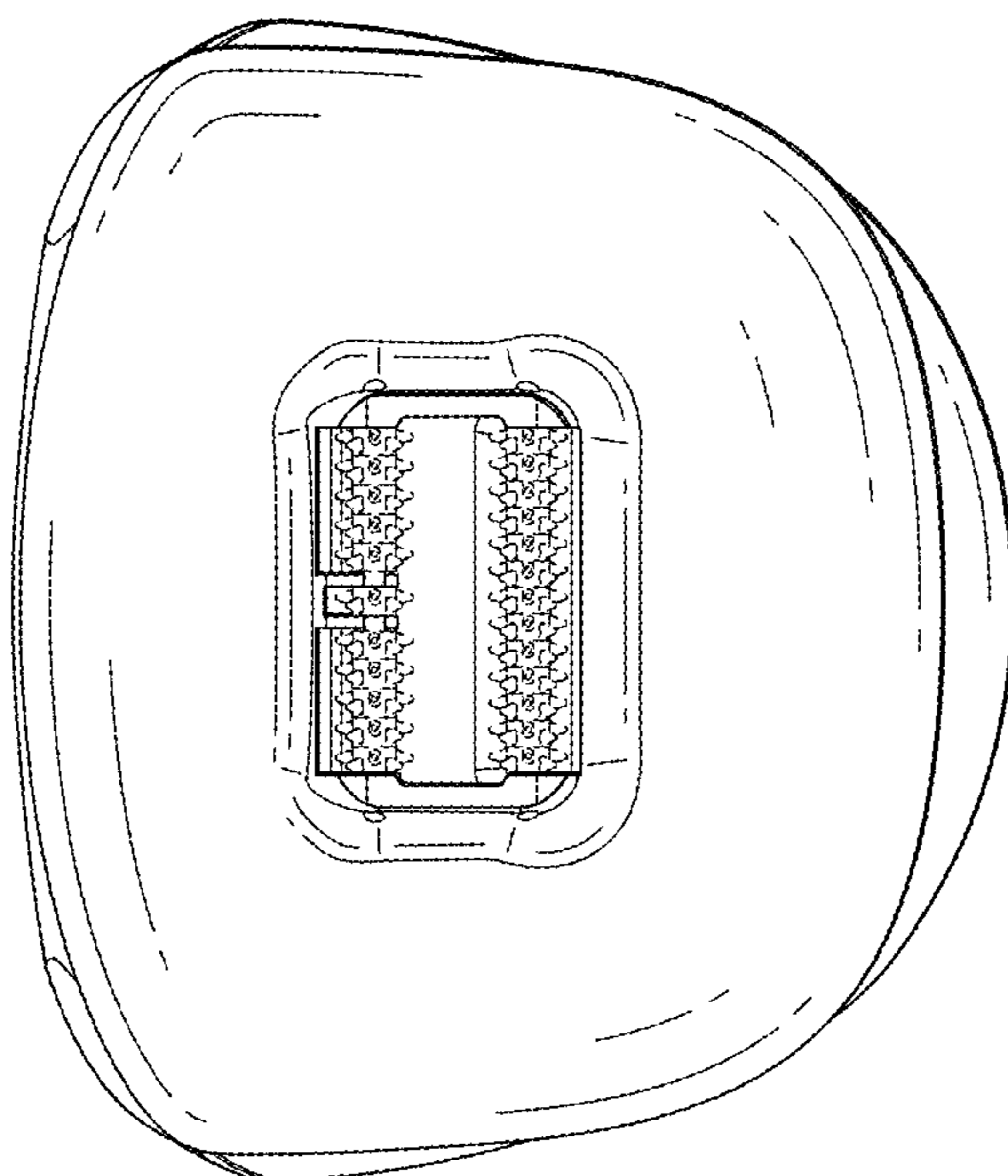


FIG. 2

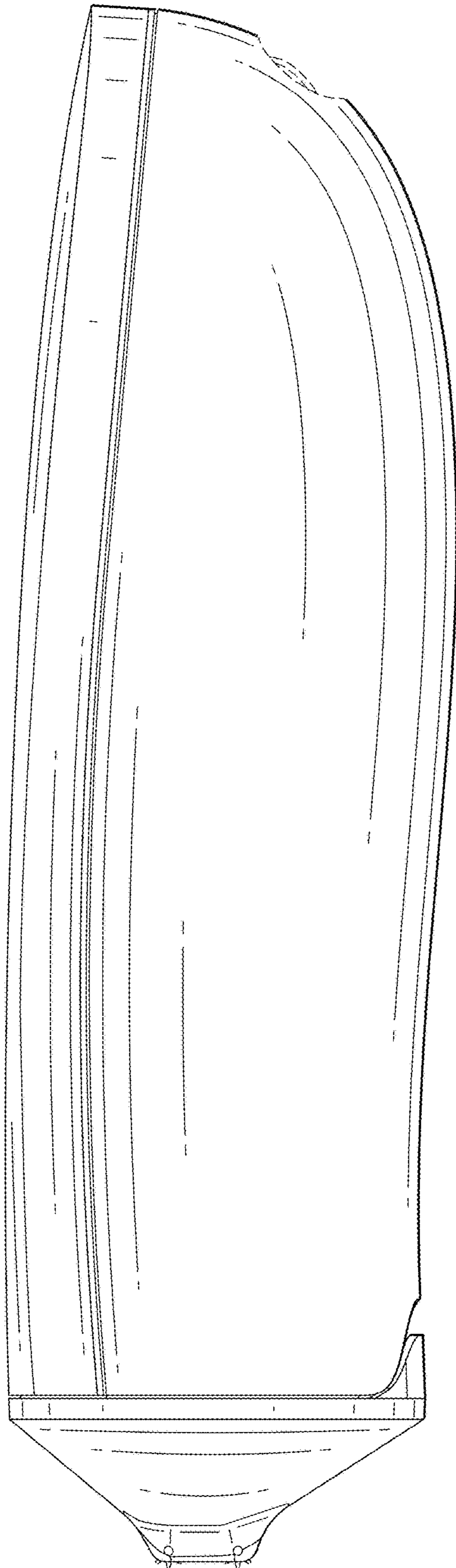


FIG. 4

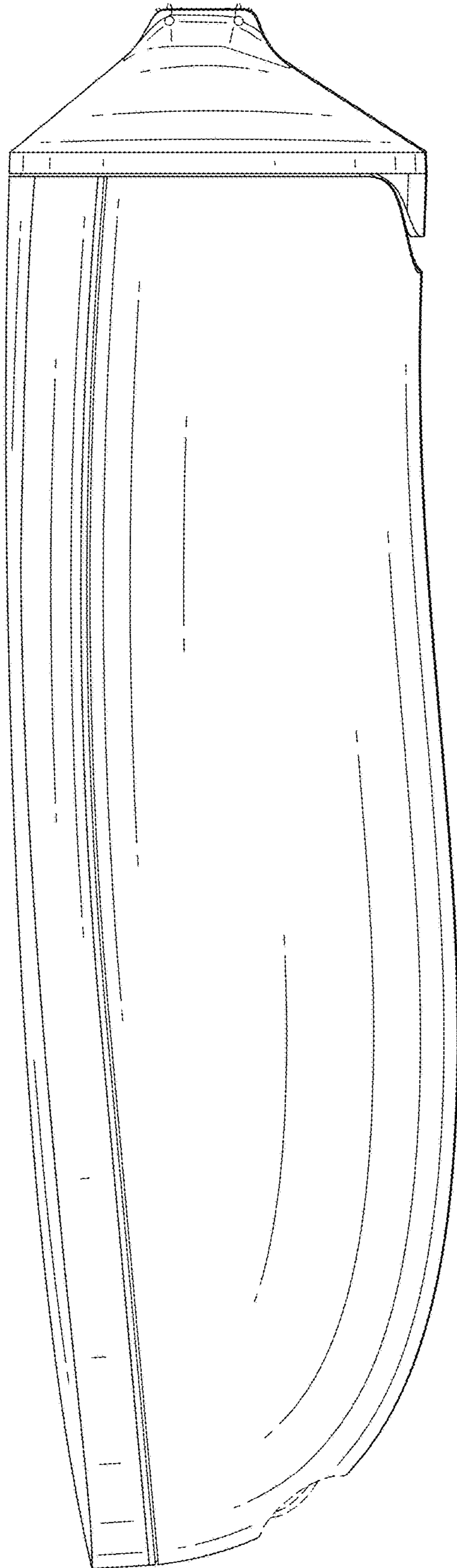


FIG. 5

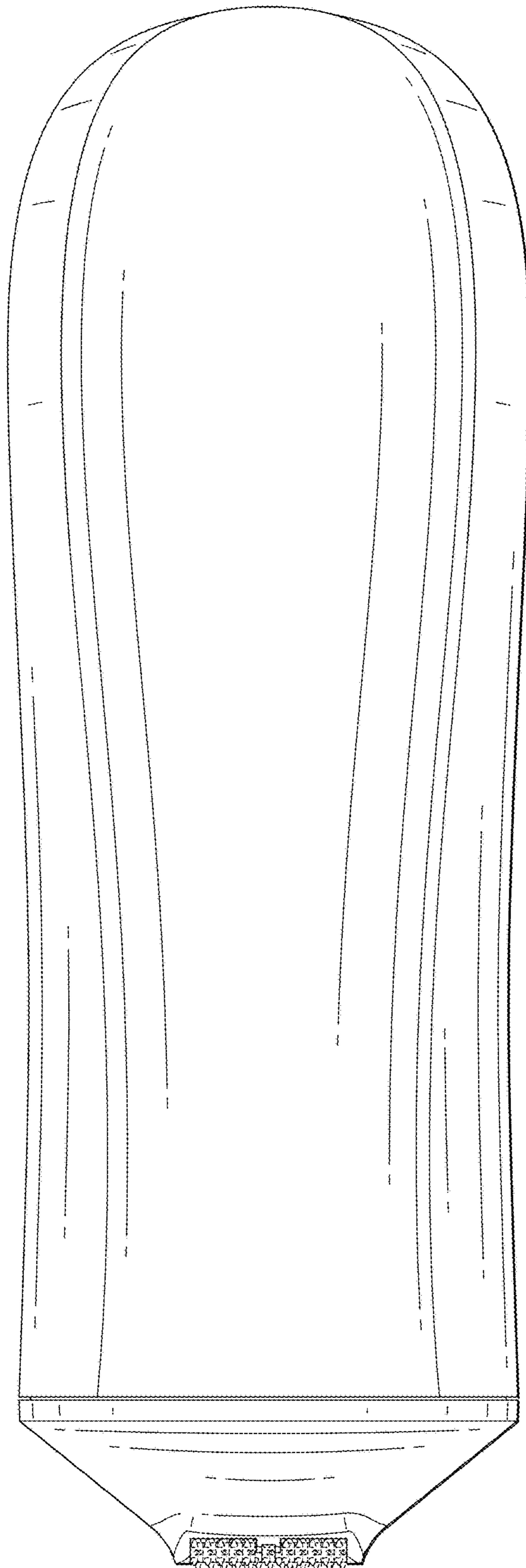


FIG. 6

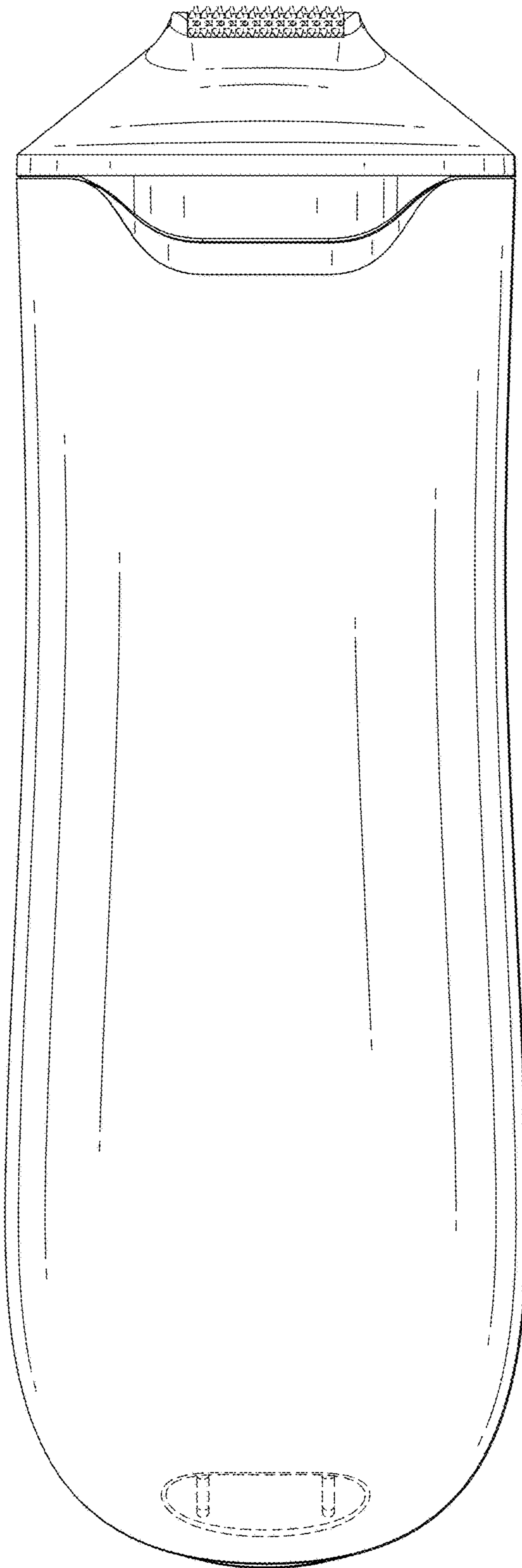


FIG. 7