



US00D836243S

(12) **United States Design Patent** (10) **Patent No.:** **US D836,243 S**  
**Liu** (45) **Date of Patent:** **\*\* Dec. 18, 2018**

(54) **E-CIGARETTE ATOMIZER**  
(71) Applicant: **Tuanfang Liu, Ji'an (CN)**  
(72) Inventor: **Tuanfang Liu, Ji'an (CN)**  
(\*\*) Term: **15 Years**  
(21) Appl. No.: **29/628,707**  
(22) Filed: **Dec. 6, 2017**  
(30) **Foreign Application Priority Data**  
Aug. 15, 2017 (CN) ..... 2017 3 0373853  
(51) **LOC (11) Cl.** ..... **27-02**  
(52) **U.S. Cl.**  
USPC ..... **D27/167**  
(58) **Field of Classification Search**  
USPC ..... D27/100, 101, 162, 163-194;  
D19/115-123, 161-169; D24/110;  
D23/366  
CPC ..... A24F 47/008; A24F 47/002; A24F 7/02;  
A61M 15/06  
See application file for complete search history.

(56) **References Cited**  
U.S. PATENT DOCUMENTS  
D636,844 S \* 4/2011 Herre ..... D23/213  
D710,488 S \* 8/2014 Alima ..... D23/363  
D740,488 S \* 10/2015 Leidel ..... D27/167  
D749,261 S \* 2/2016 Chen ..... D27/162  
D752,281 S \* 3/2016 Alima ..... D27/167  
D771,307 S \* 11/2016 Wu ..... D27/101  
D777,372 S \* 1/2017 Liu ..... D27/167  
D792,022 S \* 7/2017 Li ..... D27/167  
D795,495 S \* 8/2017 Li ..... D27/100  
D799,114 S \* 10/2017 Li ..... D27/167  
D799,747 S \* 10/2017 Champion ..... D27/169  
9,795,169 B1 \* 10/2017 Zhu ..... A24F 47/008  
9,795,170 B1 \* 10/2017 Zhu ..... A24F 47/008

D804,718 S \* 12/2017 Mathias ..... D27/162  
D806,943 S \* 1/2018 Liu ..... D27/101  
D811,652 S \* 2/2018 Liu ..... D27/167  
D814,694 S \* 4/2018 Watson ..... D27/194  
D817,544 S \* 5/2018 Chen ..... D27/167  
D821,641 S \* 6/2018 Watson ..... D27/194  
2016/0192707 A1 \* 7/2016 Li ..... A24F 47/008  
131/329  
2016/0262452 A1 \* 9/2016 Zhu ..... A24F 47/008  
2016/0338413 A1 \* 11/2016 Li ..... A24F 47/008  
2017/0049153 A1 \* 2/2017 Guo ..... A24F 47/008  
2017/0079327 A1 \* 3/2017 Wu ..... A24F 47/008  
2017/0105453 A1 \* 4/2017 Li ..... A24F 47/008  
2017/0202268 A1 \* 7/2017 Li ..... A24F 7/02  
2017/0208869 A1 \* 7/2017 Li ..... F16L 55/115  
2017/0311384 A1 \* 10/2017 Wu ..... A61M 11/042  
2017/0360101 A1 \* 12/2017 Garay ..... A24F 47/008  
2017/0367404 A1 \* 12/2017 Li ..... A24F 47/008  
2018/0000156 A1 \* 1/2018 Qiu ..... A24F 47/008  
2018/0007961 A1 \* 1/2018 Zhu ..... A24F 47/008

(Continued)

*Primary Examiner* — Brandon M Rosati  
*Assistant Examiner* — Marissa J Cash  
(74) *Attorney, Agent, or Firm* — Matthias Scholl, PC;  
Matthias Scholl

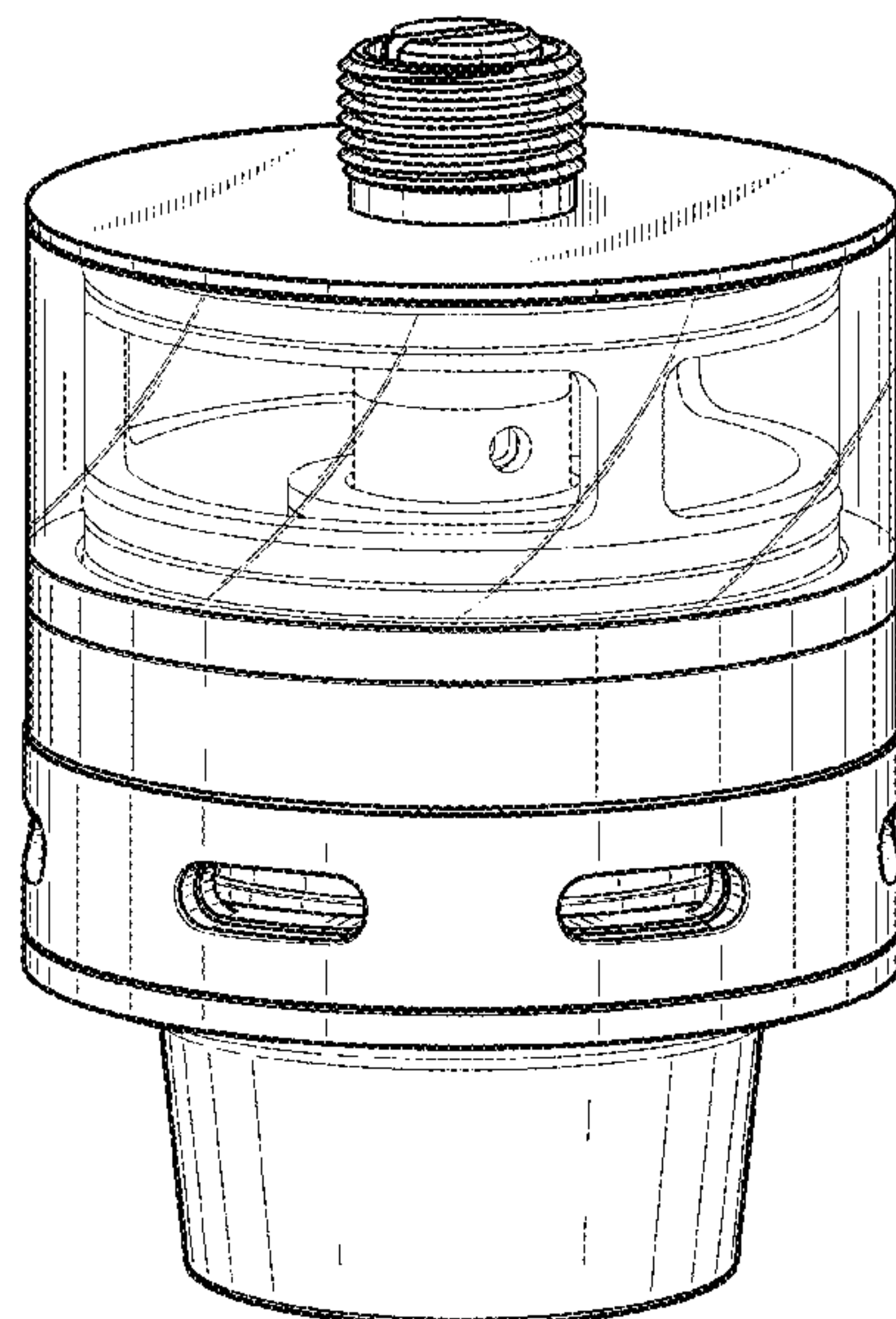
(57) **CLAIM**

The ornamental design for an e-cigarette atomizer, as shown and described.

**DESCRIPTION**

FIG. 1 is a front elevation view of an e-cigarette atomizer; FIG. 2 is a rear elevation view thereof; FIG. 3 is a left-side elevation view thereof; FIG. 4 is a right-side elevation view thereof; FIG. 5 is a top plan view thereof; FIG. 6 is a bottom plan view thereof; FIG. 7 is a perspective view thereof; and, FIG. 8 is a bottom perspective view thereof.

**1 Claim, 8 Drawing Sheets**



(56)

**References Cited**

U.S. PATENT DOCUMENTS

2018/0007963	A1 *	1/2018	Zhu .....	H05B 3/42
2018/0014577	A1 *	1/2018	Qiu .....	A24F 47/00
2018/0049470	A1 *	2/2018	Chen .....	A24F 47/008
2018/0064172	A1 *	3/2018	Qiu .....	A24F 47/008
2018/0071465	A1 *	3/2018	Zhao .....	A61M 11/042
2018/0084823	A1 *	3/2018	Fuisz .....	A24B 15/24
2018/0140017	A1 *	5/2018	Qiu .....	A24F 47/008
2018/0146716	A1 *	5/2018	Chen .....	H05B 3/44
2018/0153222	A1 *	6/2018	Shen .....	B67D 7/36

\* cited by examiner

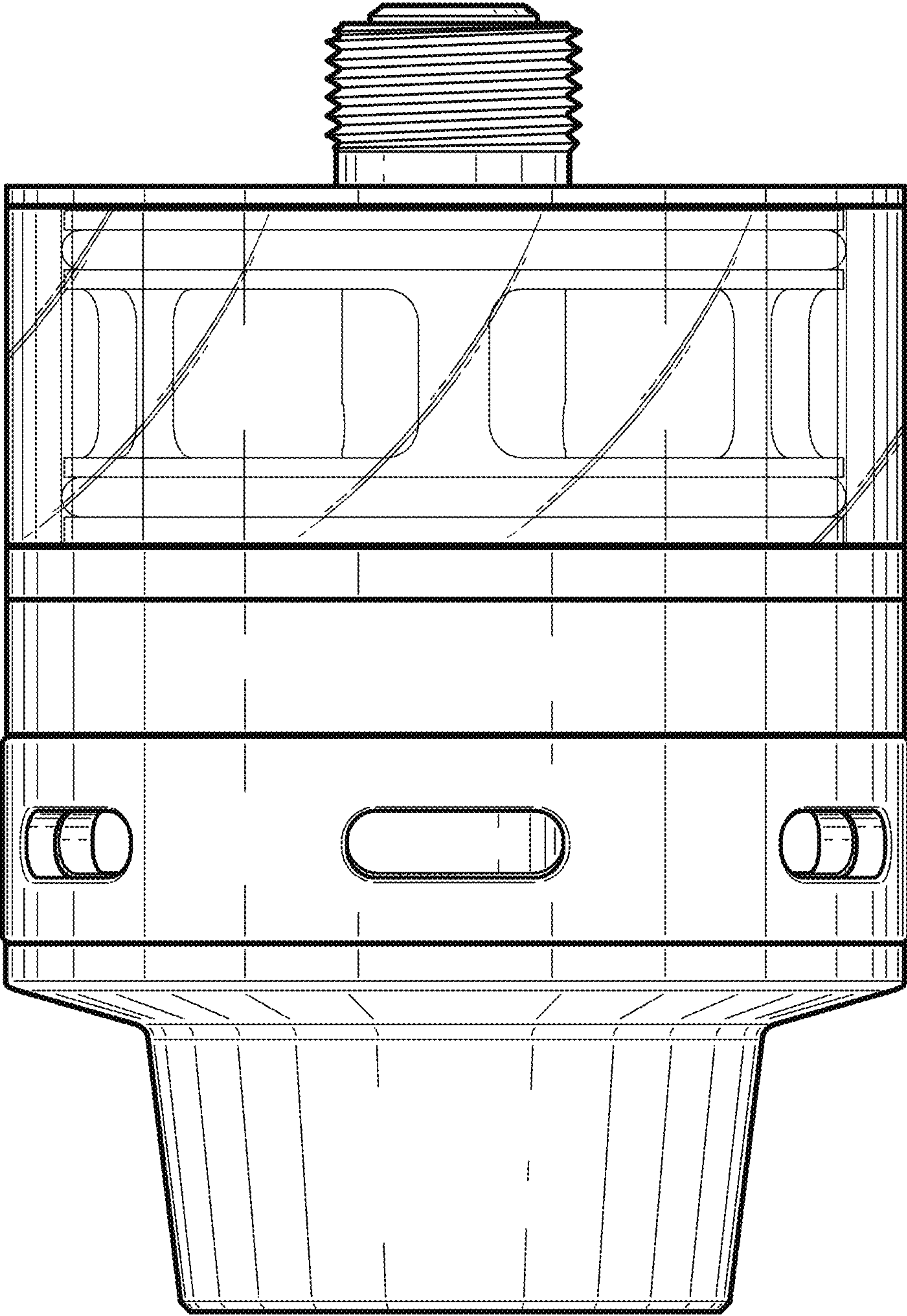


FIG. 1

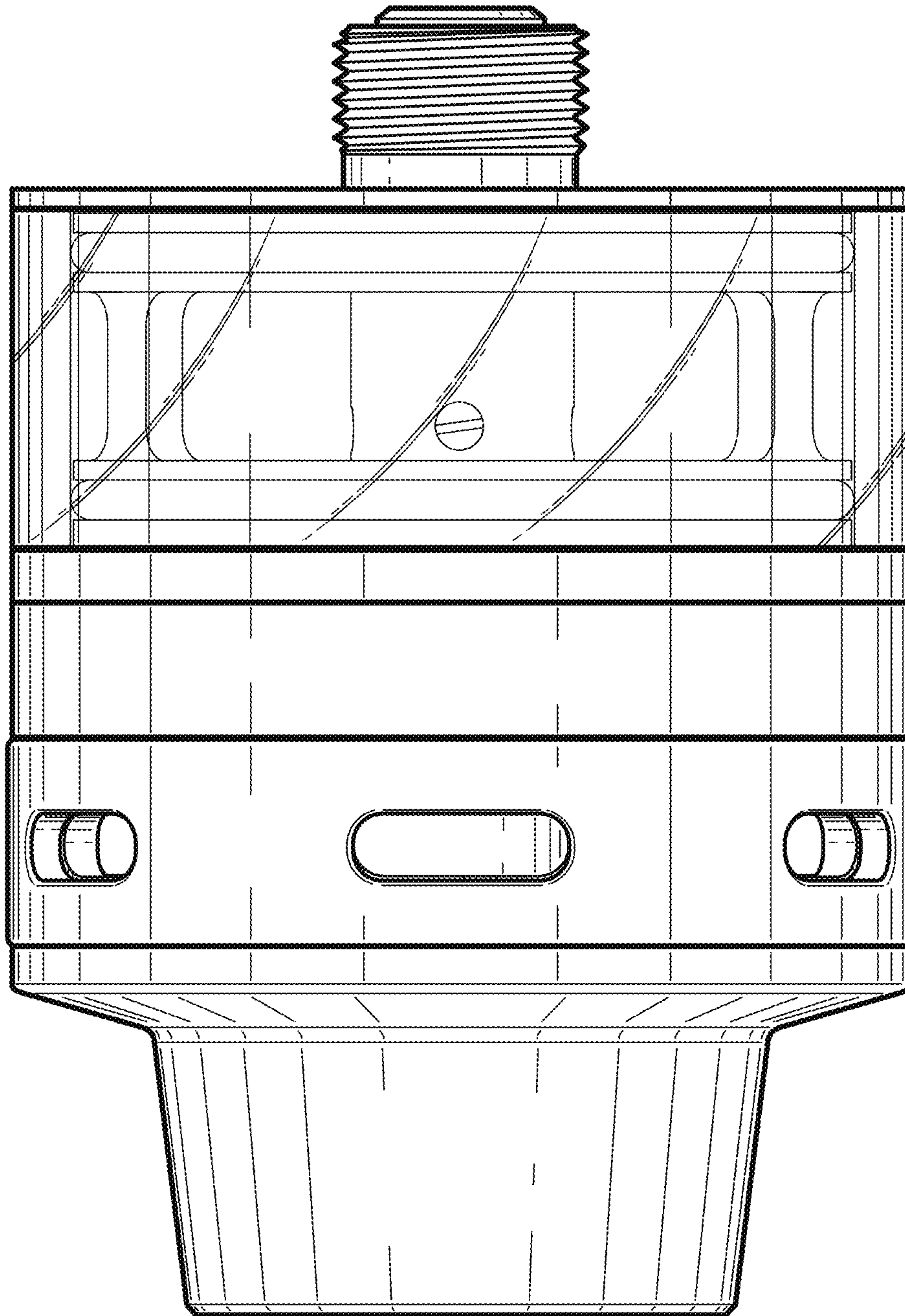


FIG. 2



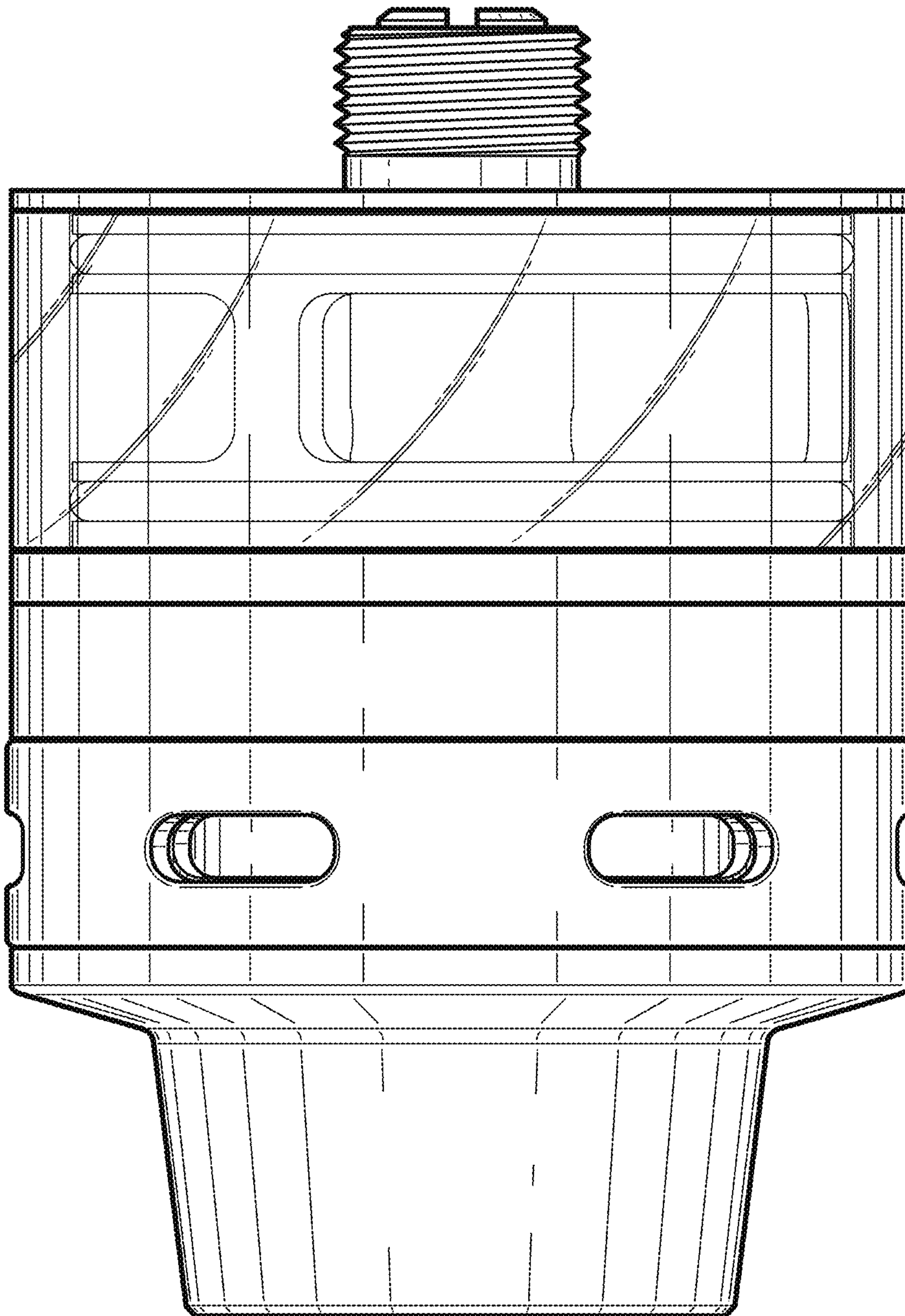


FIG. 3

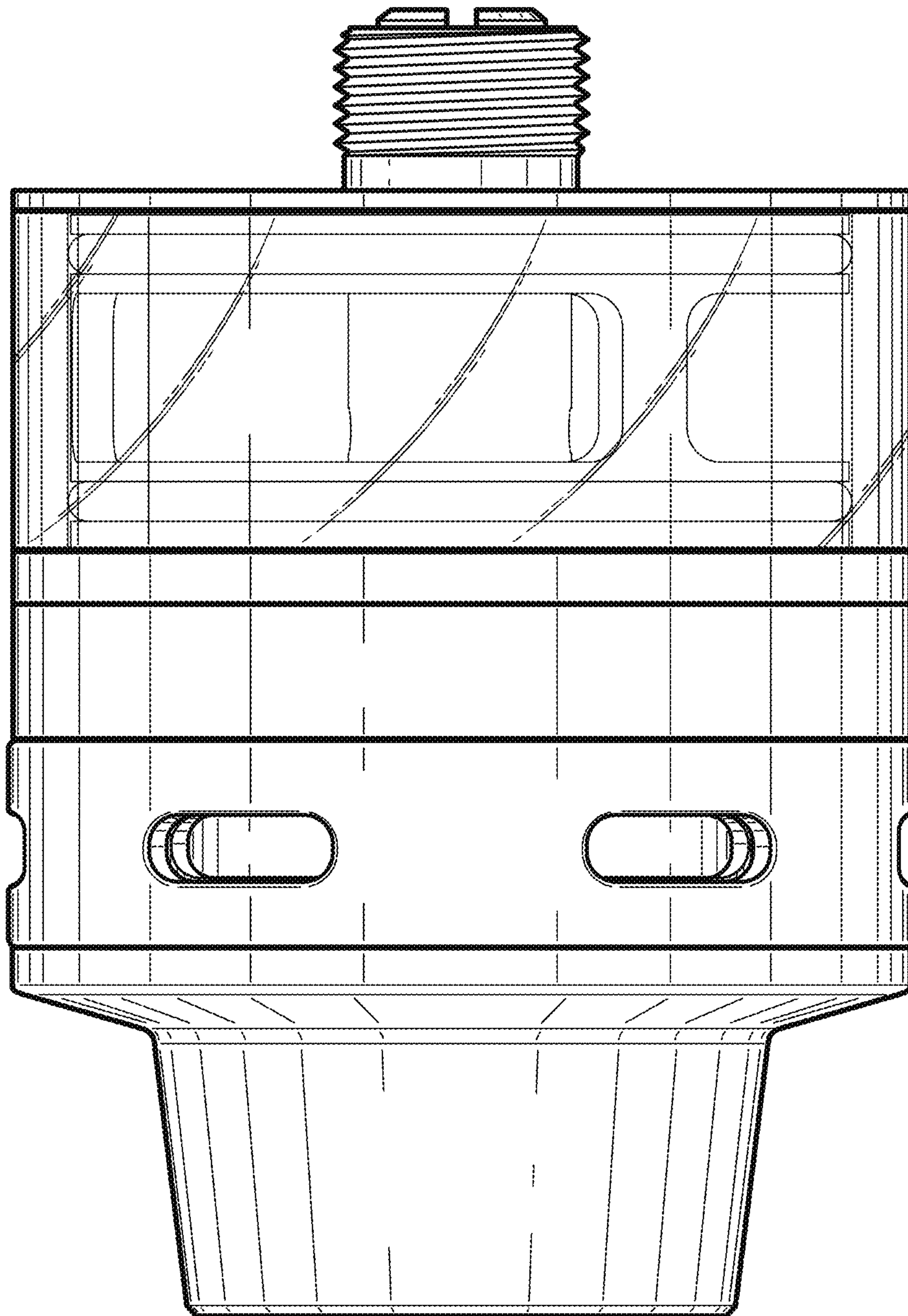


FIG. 4

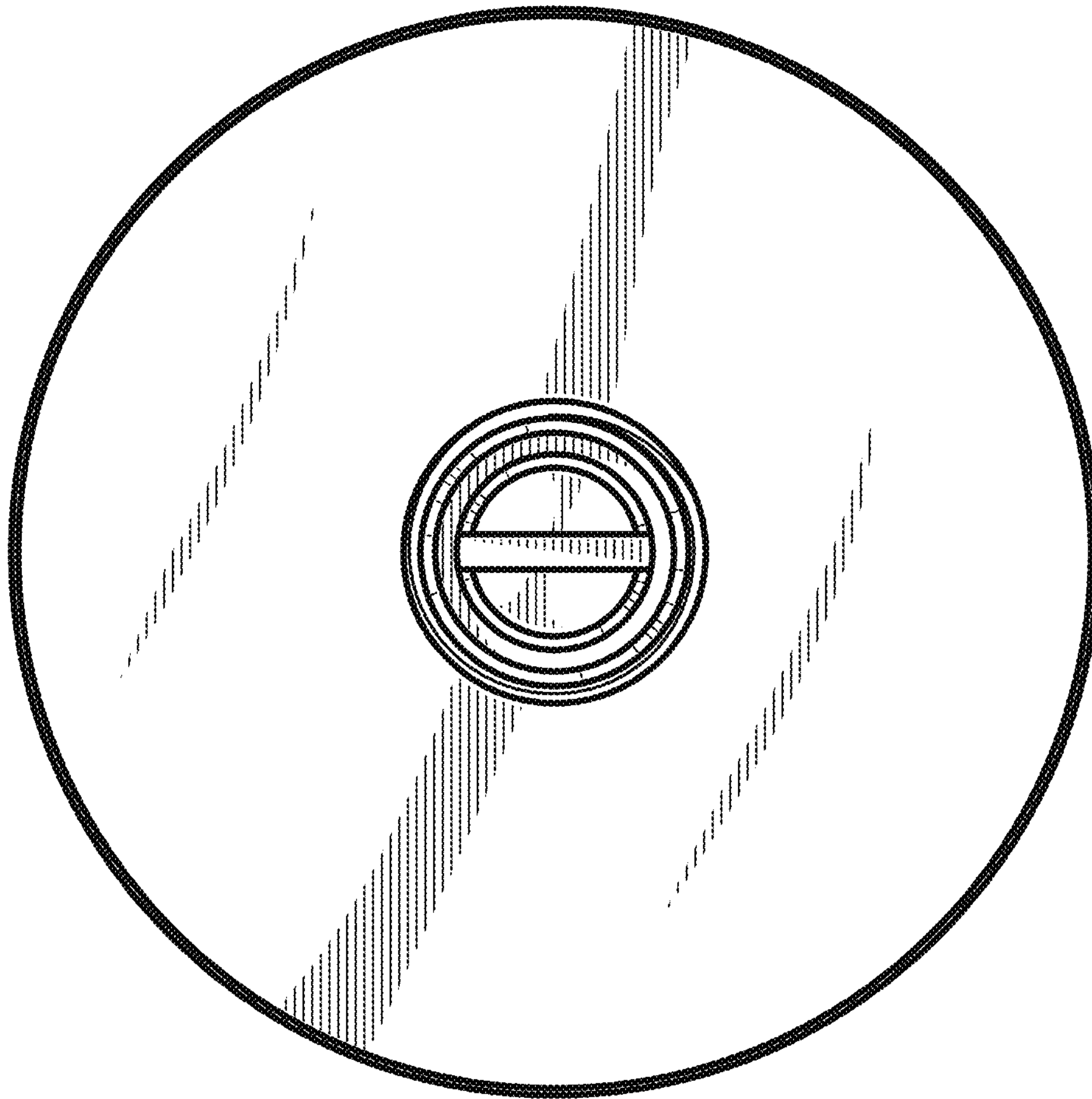


FIG. 5

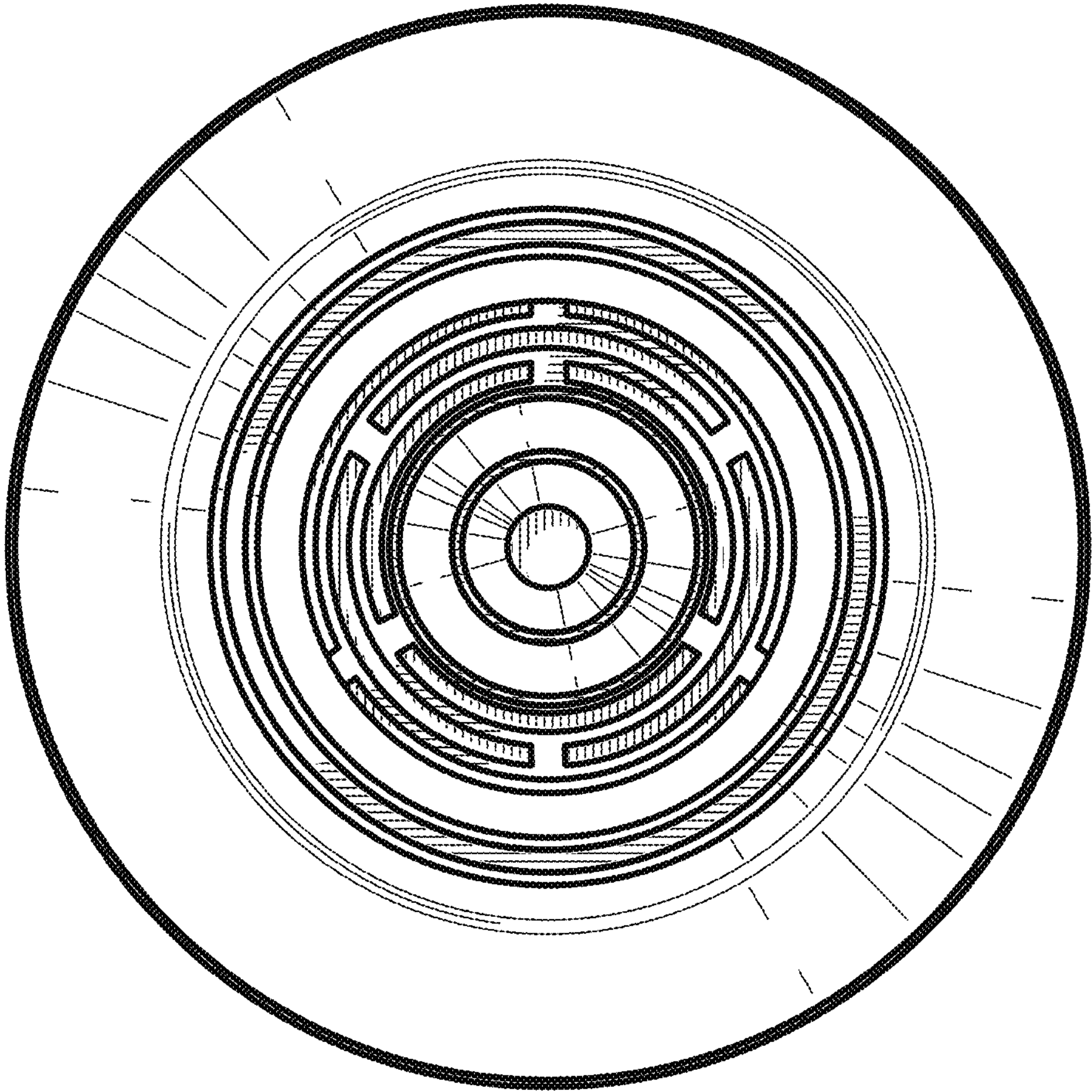


FIG. 6



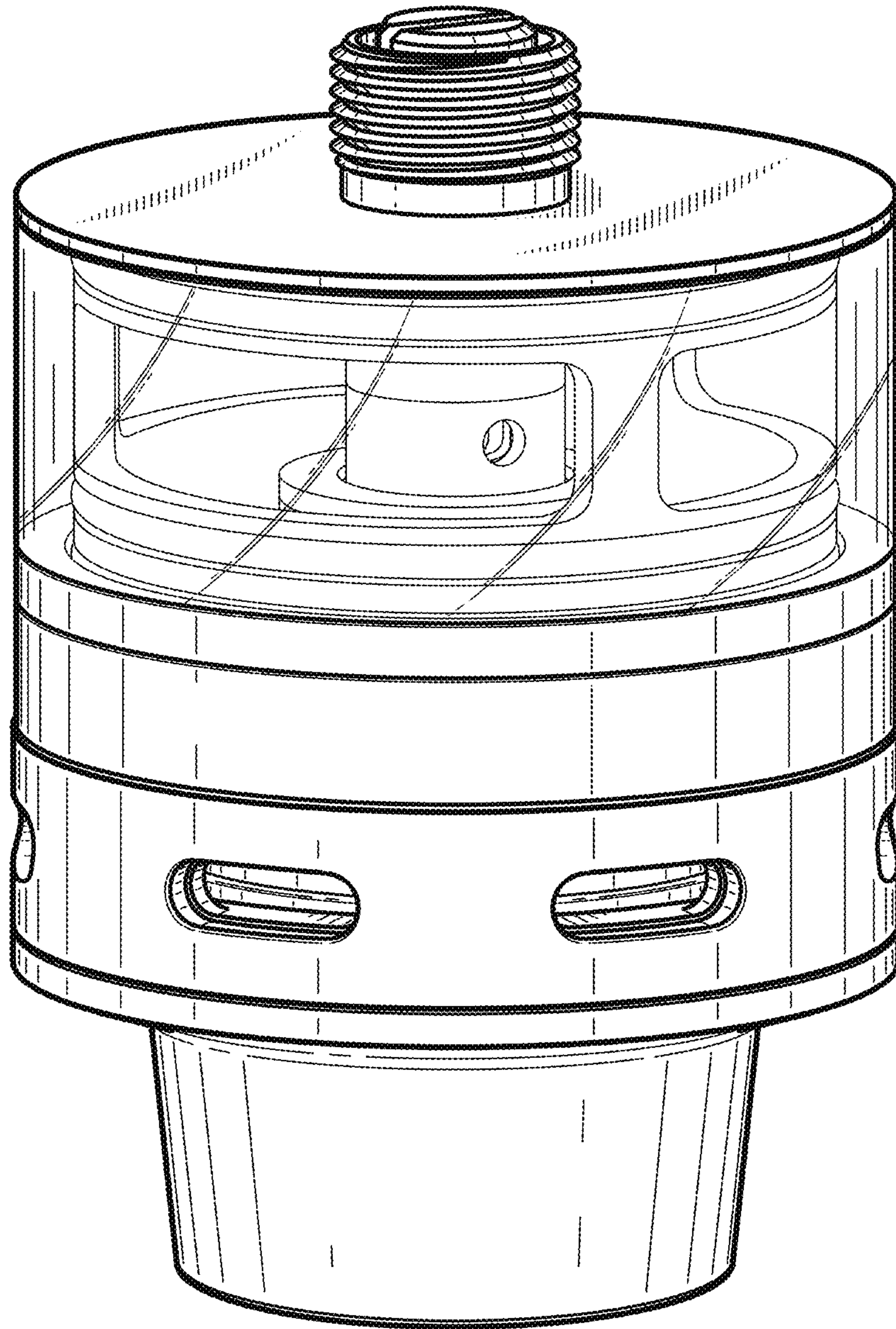


FIG. 7

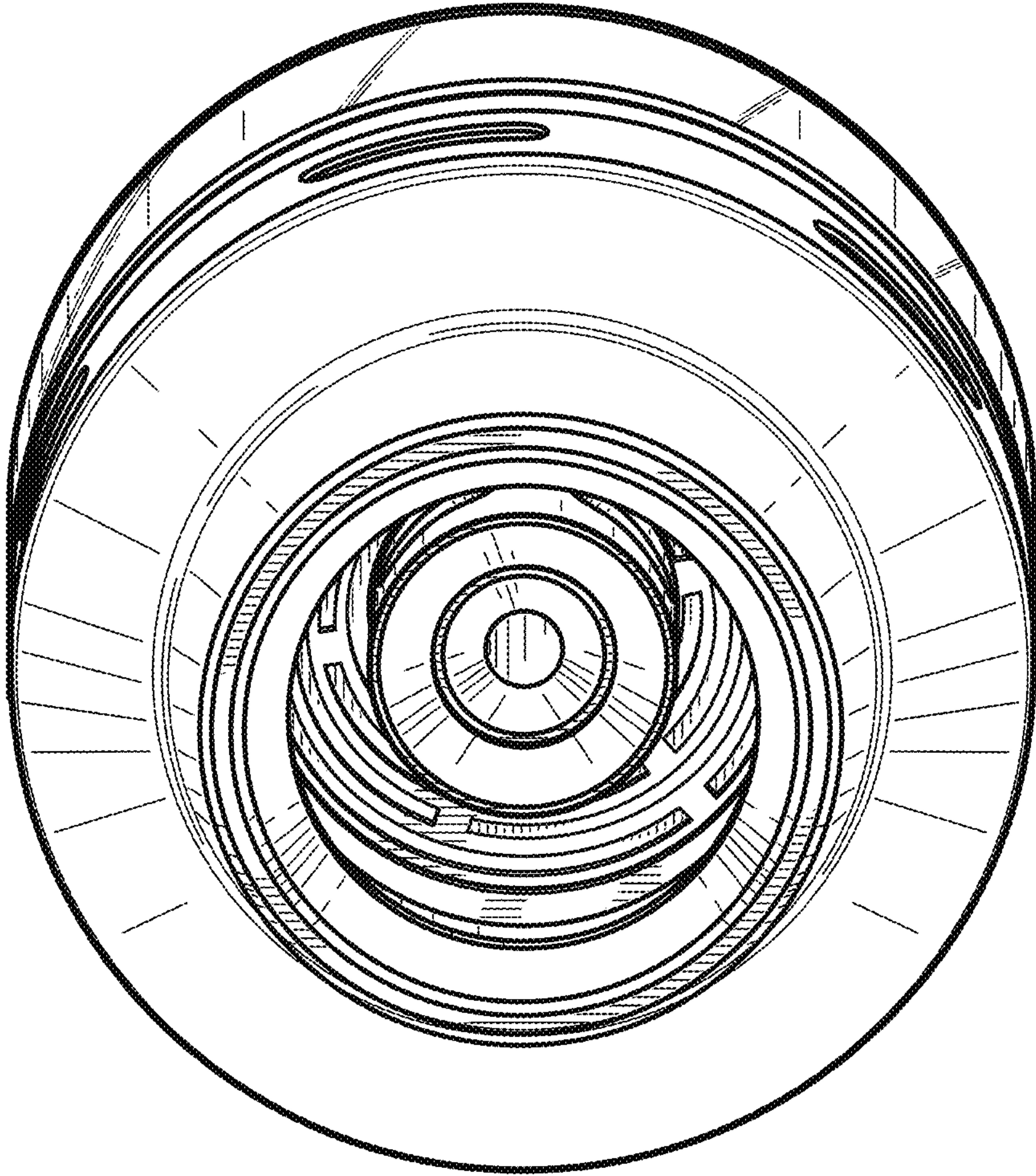


FIG. 8