



US00D836242S

(12) **United States Design Patent** (10) **Patent No.:** **US D836,242 S**
Xu (45) **Date of Patent:** **** Dec. 18, 2018**

(54) **MICROVAPORIZER ASSEMBLY**
(71) Applicant: **Avail Vapor LLC**, N. Chesterfield, VA
(US)
(72) Inventor: **Yongjie James Xu**, Richmond, VA
(US)
(73) Assignee: **AVAIL VAPOR LLC**, Chesterfield, VA
(US)
(**) Term: **15 Years**
(21) Appl. No.: **29/624,369**
(22) Filed: **Oct. 31, 2017**
(51) **LOC (11) Cl.** **27-02**
(52) **U.S. Cl.**
USPC **D27/162**
(58) **Field of Classification Search**
USPC D27/100, 101, 162, 163–194;
D19/115–123, 161–169; D24/110;
D23/366
CPC A24F 47/008; A24F 47/002; A24F 7/02;
A61M 15/06
See application file for complete search history.

(56) **References Cited**
U.S. PATENT DOCUMENTS
D368,552 S * 4/1996 Adams D27/194
D422,113 S * 3/2000 Higgins D27/186
D424,236 S * 5/2000 Reed D27/163
D433,532 S * 11/2000 Higgins D27/186
D547,859 S * 7/2007 Choi D24/113
D577,150 S * 9/2008 Bryman D27/163
D579,544 S * 10/2008 Birath D24/110
D579,545 S * 10/2008 Birath D24/110
D579,547 S * 10/2008 Birath D24/110
D629,154 S * 12/2010 Sung D27/154
D649,708 S * 11/2011 Oneil D27/163
D654,160 S * 2/2012 Yomtov D23/360

D728,855 S * 5/2015 Liu D27/163
D729,444 S * 5/2015 Leidel D27/163
D729,445 S * 5/2015 Leidel D27/163
D730,572 S * 5/2015 Leidel D27/163
D731,114 S * 6/2015 Leidel D27/163
D743,099 S * 11/2015 Oglesby D27/101
D748,325 S * 1/2016 Leidel D27/163
D753,336 S * 4/2016 Chen D27/101
9,301,545 B2 * 4/2016 Li A24F 15/18
D758,004 S * 5/2016 Freshwater D27/163
D758,655 S * 6/2016 Freshwater D27/163
D758,656 S * 6/2016 Freshwater D27/163
D761,999 S * 7/2016 Liu D27/101
D769,520 S * 10/2016 Hua D27/167
D770,678 S * 11/2016 Shin D27/163
D771,867 S * 11/2016 Leidel D27/163
D772,477 S * 11/2016 Smith D27/163

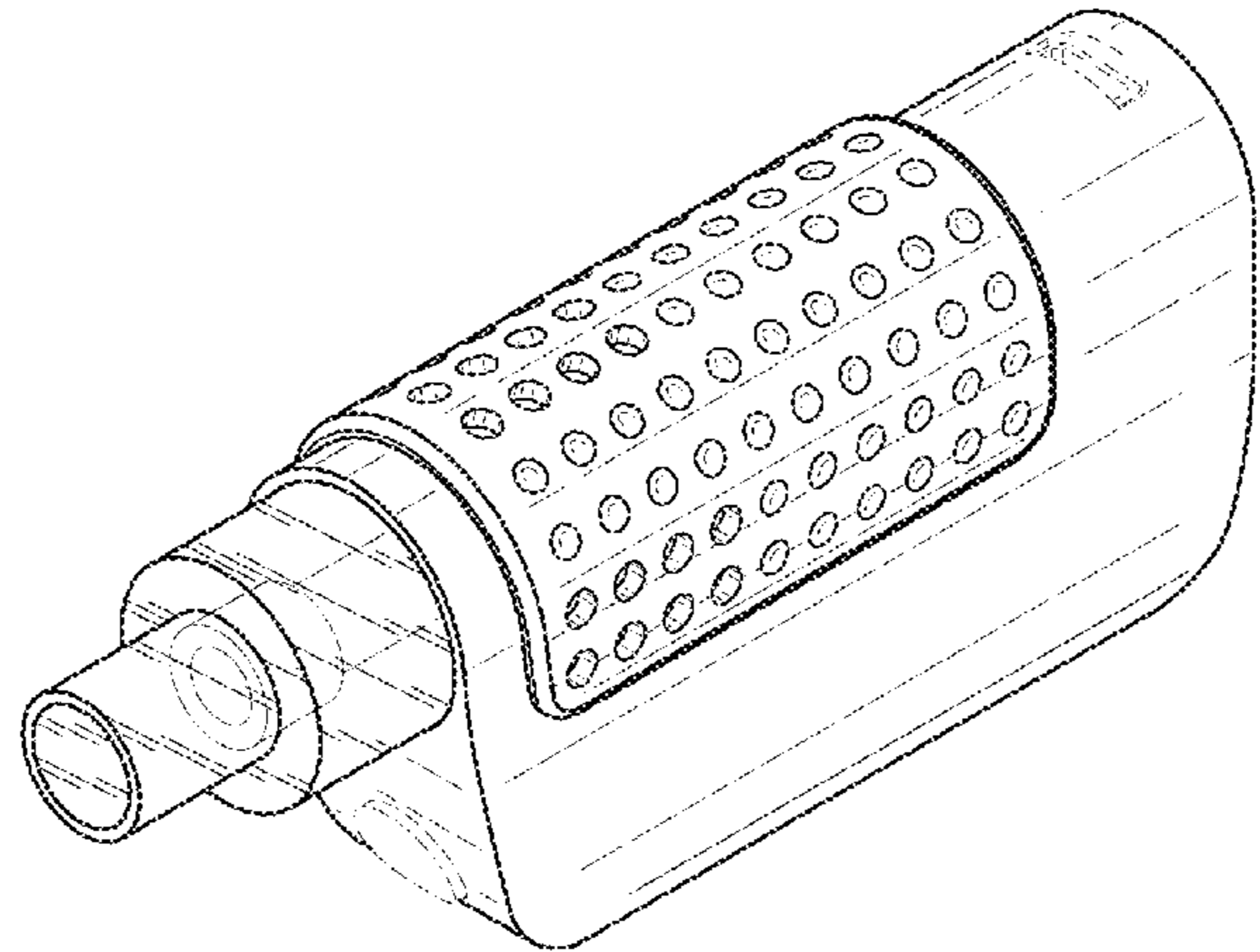
(Continued)

Primary Examiner — Brandon M Rosati
Assistant Examiner — Marissa J Cash
(74) *Attorney, Agent, or Firm* — Nixon & Vanderhye P.C.

(57) **CLAIM**
The ornamental design for a microvaporizer assembly, as shown and described.

DESCRIPTION
FIG. 1 is a front, top and right side perspective view of a microvaporizer assembly showing my new design;
FIG. 2 is a left side view thereof,
FIG. 3 is a right side view thereof;
FIG. 4 is a front view thereof;
FIG. 5 is a rear view thereof;
FIG. 6 is a bottom view thereof;
FIG. 7 is a top view thereof; and,
FIG. 8 is a rear, bottom and left side perspective view thereof.
Where included, the broken lines represent environmental structure or unclaimed portions of the microvaporizer assembly and do not form a portion of the claimed design.

1 Claim, 5 Drawing Sheets



(56)

References Cited

U.S. PATENT DOCUMENTS

D773,114 S * 11/2016 Leidel D27/163
 D773,116 S * 11/2016 Liu D27/167
 D775,414 S * 12/2016 Ampolini D13/108
 D775,762 S * 1/2017 Chen D27/101
 D780,373 S * 2/2017 Bennett D27/186
 D788,362 S * 5/2017 Qiu D27/101
 D788,364 S * 5/2017 Chen D27/163
 D790,766 S * 6/2017 Li D27/163
 D792,020 S * 7/2017 Mendoza D27/101
 D792,021 S * 7/2017 Beer D27/101
 D799,111 S * 10/2017 Qiu D27/101
 D799,743 S * 10/2017 Qiu D27/101
 D799,746 S * 10/2017 Leidel D27/163
 D800,377 S * 10/2017 Liu D27/101
 D801,507 S * 10/2017 Kelnhofer D23/366
 D802,834 S * 11/2017 Mathias D27/163
 D805,685 S * 12/2017 Lee D27/101
 D807,286 S * 1/2018 Qiu D13/103
 D807,576 S * 1/2018 Liu D27/163
 D807,577 S * 1/2018 Ward D27/167
 D807,818 S * 1/2018 Mathias D13/107
 D808,071 S * 1/2018 Folkerts D27/101
 D808,073 S * 1/2018 Leidel D27/162
 D808,792 S * 1/2018 Jaggi D9/420
 D809,191 S * 1/2018 Li D27/101

D809,192 S * 1/2018 Liu D27/163
 D814,693 S * 4/2018 Qiu D27/101
 D815,347 S * 4/2018 Jones D27/194
 9,961,940 B2 * 5/2018 Anderson, Jr. A24F 47/008
 9,968,136 B1 * 5/2018 Bell A24F 47/008
 D819,880 S * 6/2018 Qiu D27/101
 D819,882 S * 6/2018 Qiu D27/101
 D821,639 S * 6/2018 Dai D27/162
 D821,640 S * 6/2018 Qiu D27/162
 2017/0006918 A1 * 1/2017 Chen A24F 47/008
 2017/0208863 A1 * 7/2017 Davis A24F 47/008
 2017/0208864 A1 * 7/2017 Anderson, Jr. A24F 47/008
 2017/0245550 A1 * 8/2017 Freeland A24F 47/008
 2017/0290371 A1 * 10/2017 Davis A24F 47/008
 2017/0367406 A1 * 12/2017 Schuler A24F 47/008
 2018/0007967 A1 * 1/2018 Davis A24F 47/008
 2018/0013175 A1 * 1/2018 Liu H01M 10/425
 2018/0035715 A1 * 2/2018 Wu A47F 47/008
 2018/0070638 A1 * 3/2018 Qiu A24F 47/008
 2018/0084828 A1 * 3/2018 Phillips A24F 47/008
 2018/0084836 A1 * 3/2018 Perez B65D 85/54
 2018/0110943 A1 * 4/2018 Raichman A61M 15/06
 2018/0116281 A1 * 5/2018 Anderson, Jr. A24F 47/008
 2018/0132526 A1 * 5/2018 Davis A24F 47/008
 2018/0153219 A1 * 6/2018 Verleur A24F 47/008
 2018/0160739 A1 * 6/2018 Chen A24F 47/008
 2018/0166238 A1 * 6/2018 Chen H01H 36/02

* cited by examiner

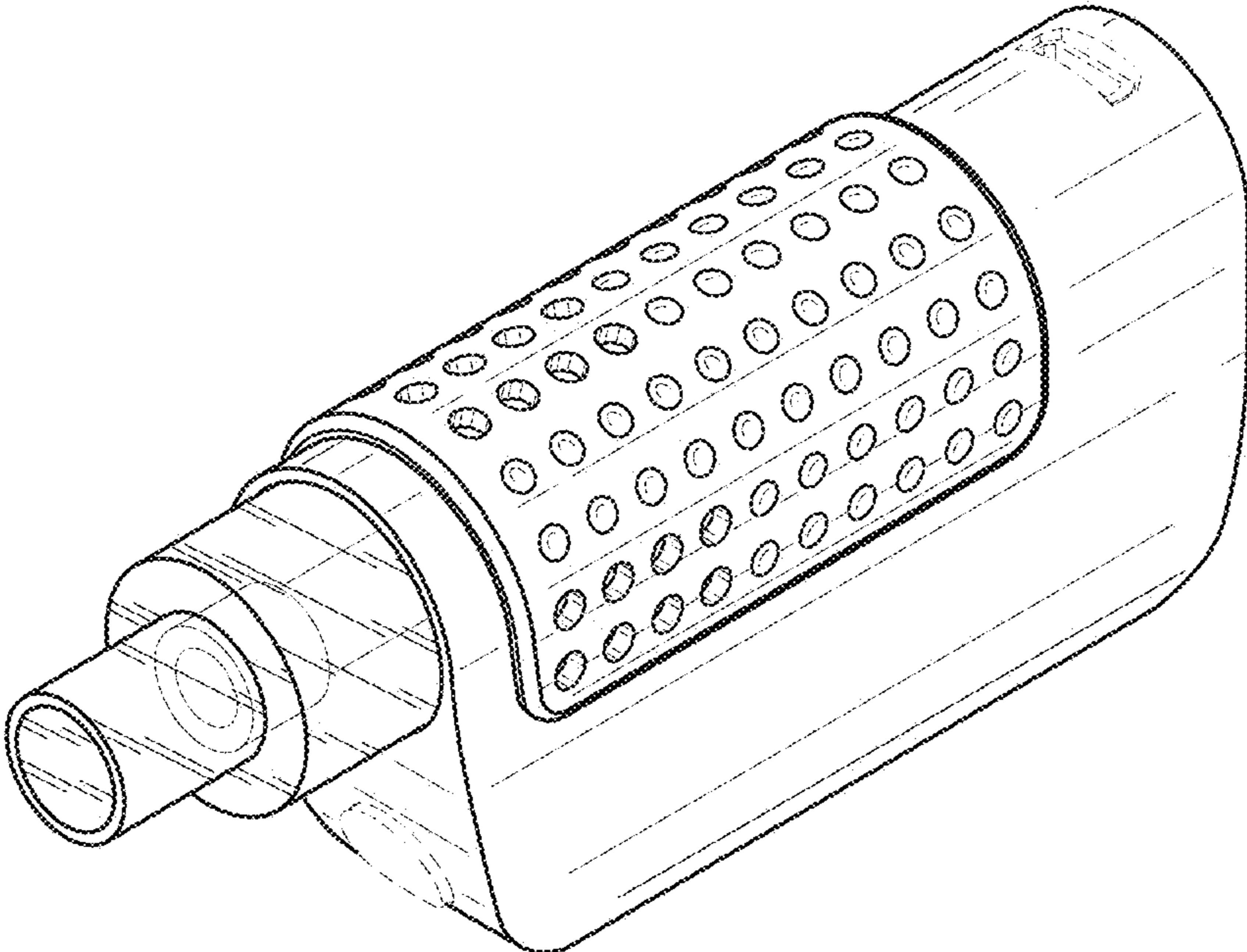


FIG. 1

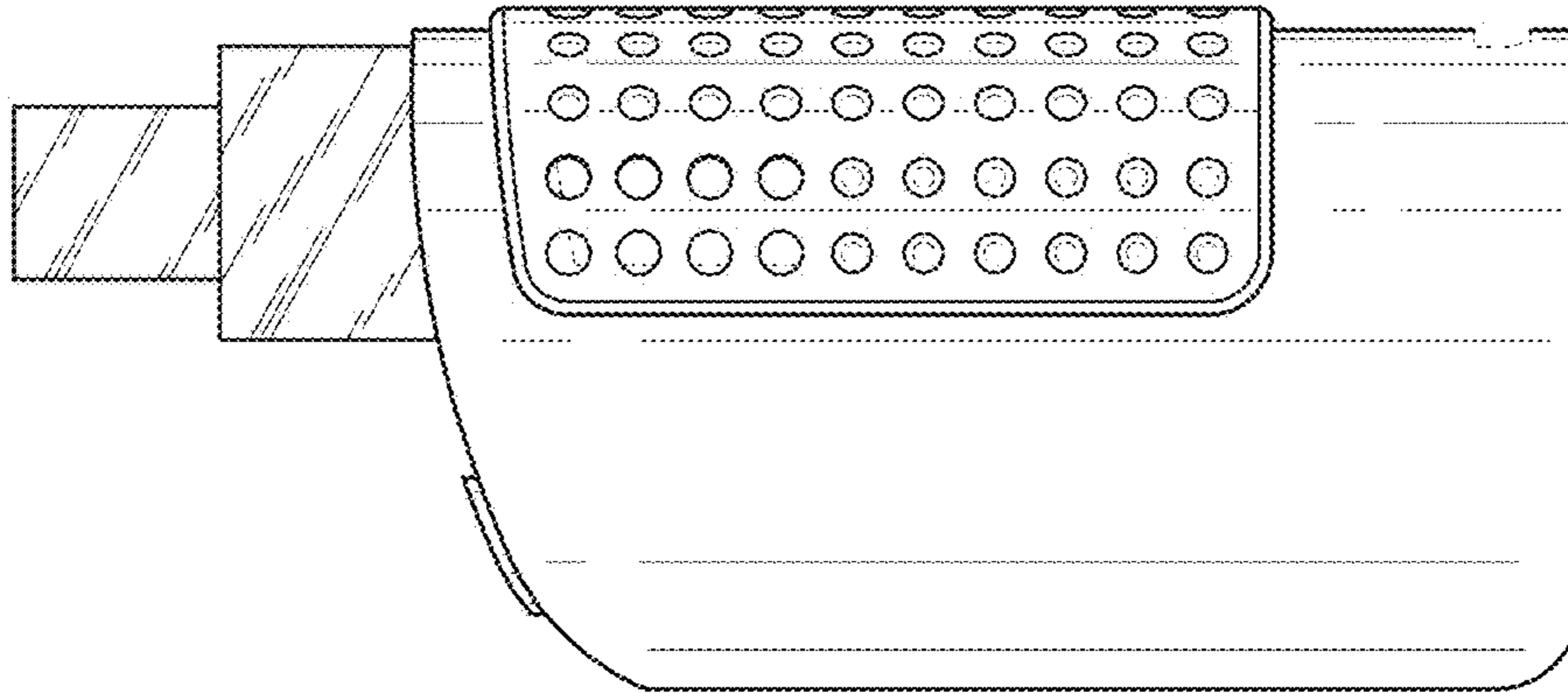


FIG. 2

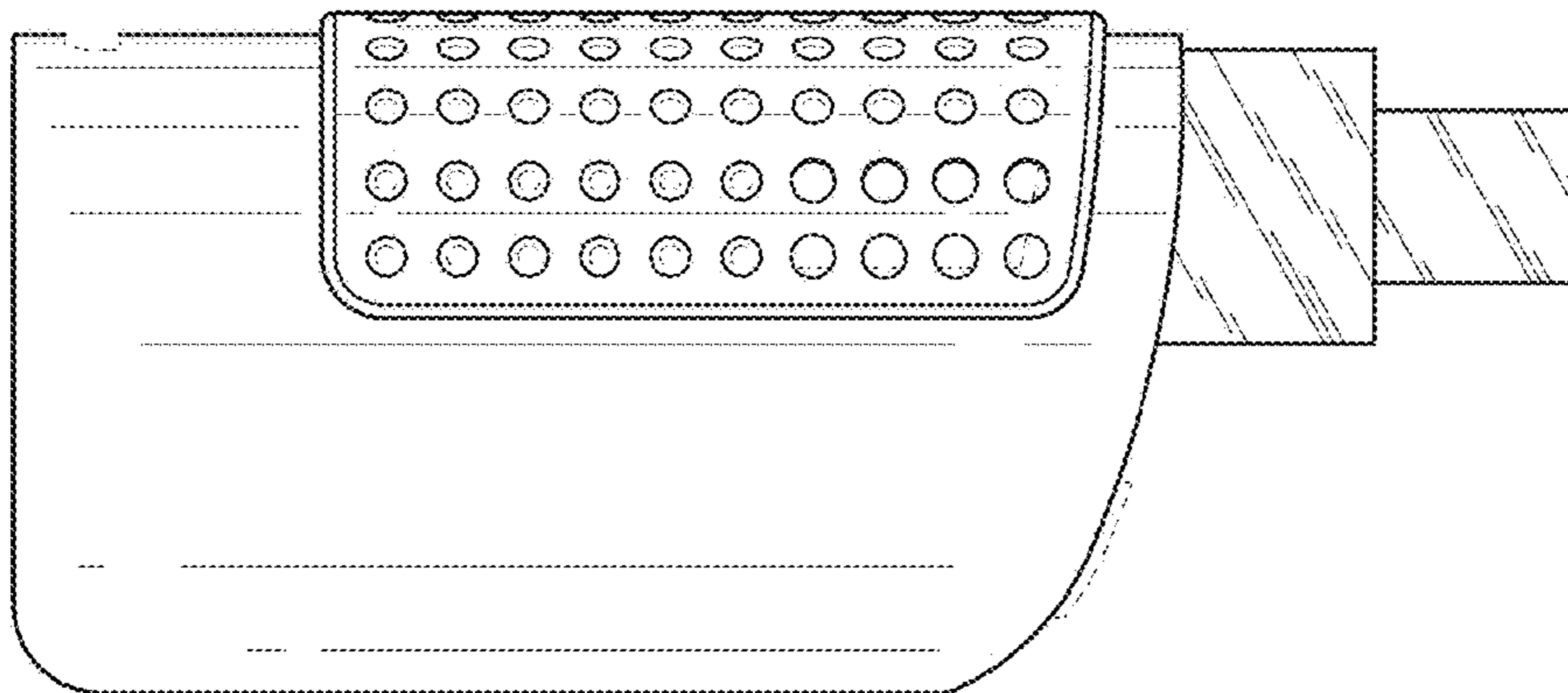


FIG. 3

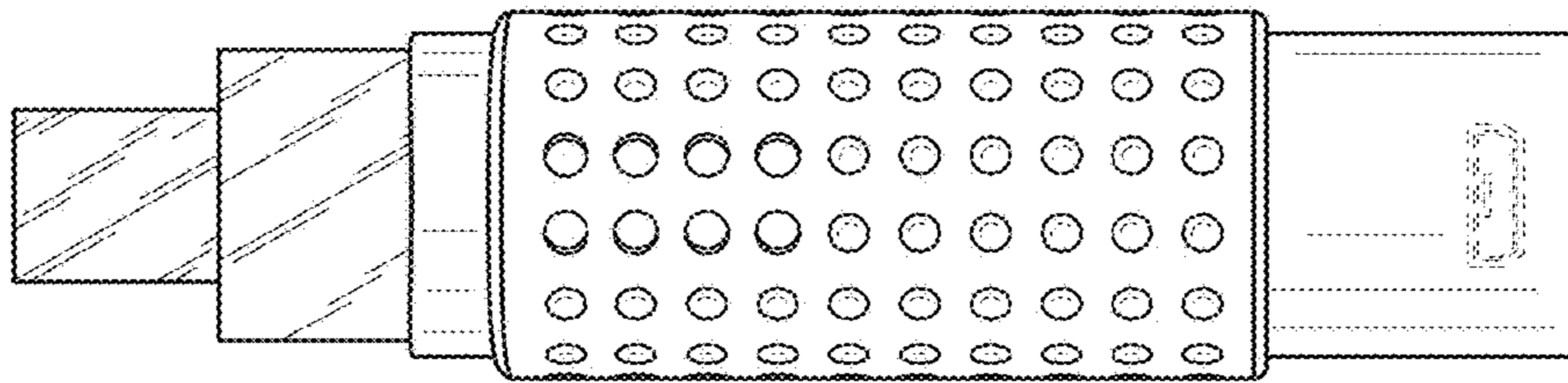


FIG. 4

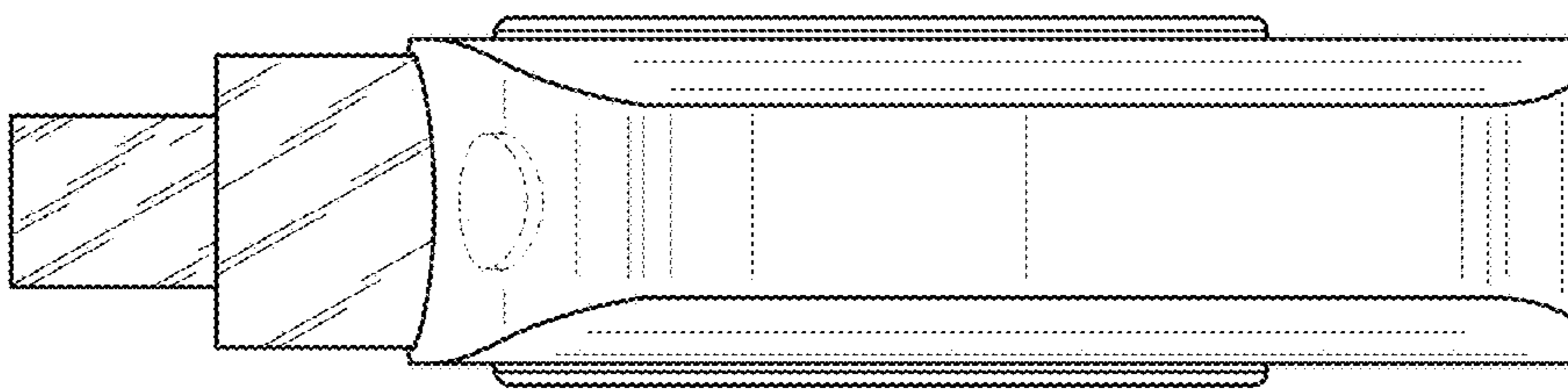


FIG. 5

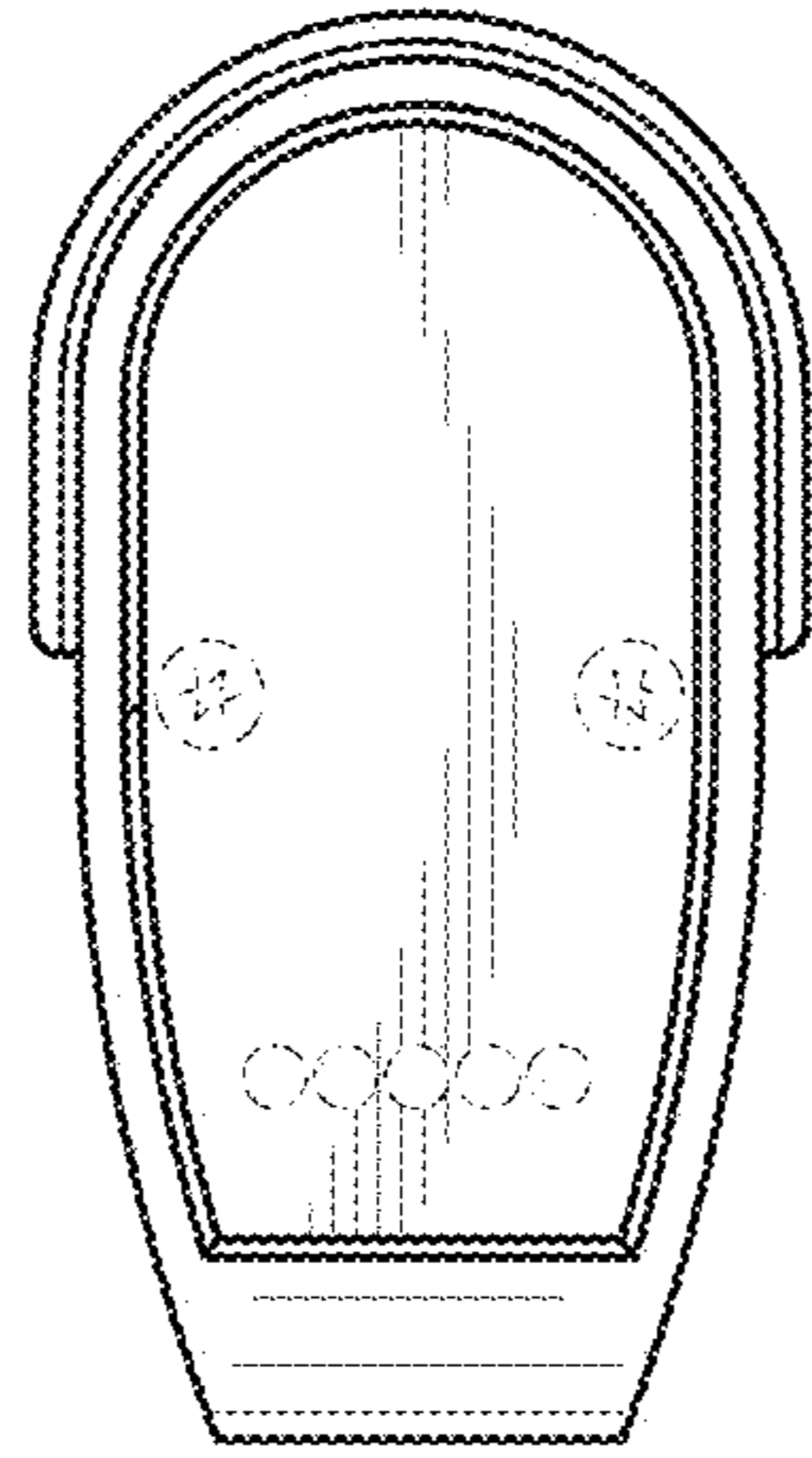


FIG. 6

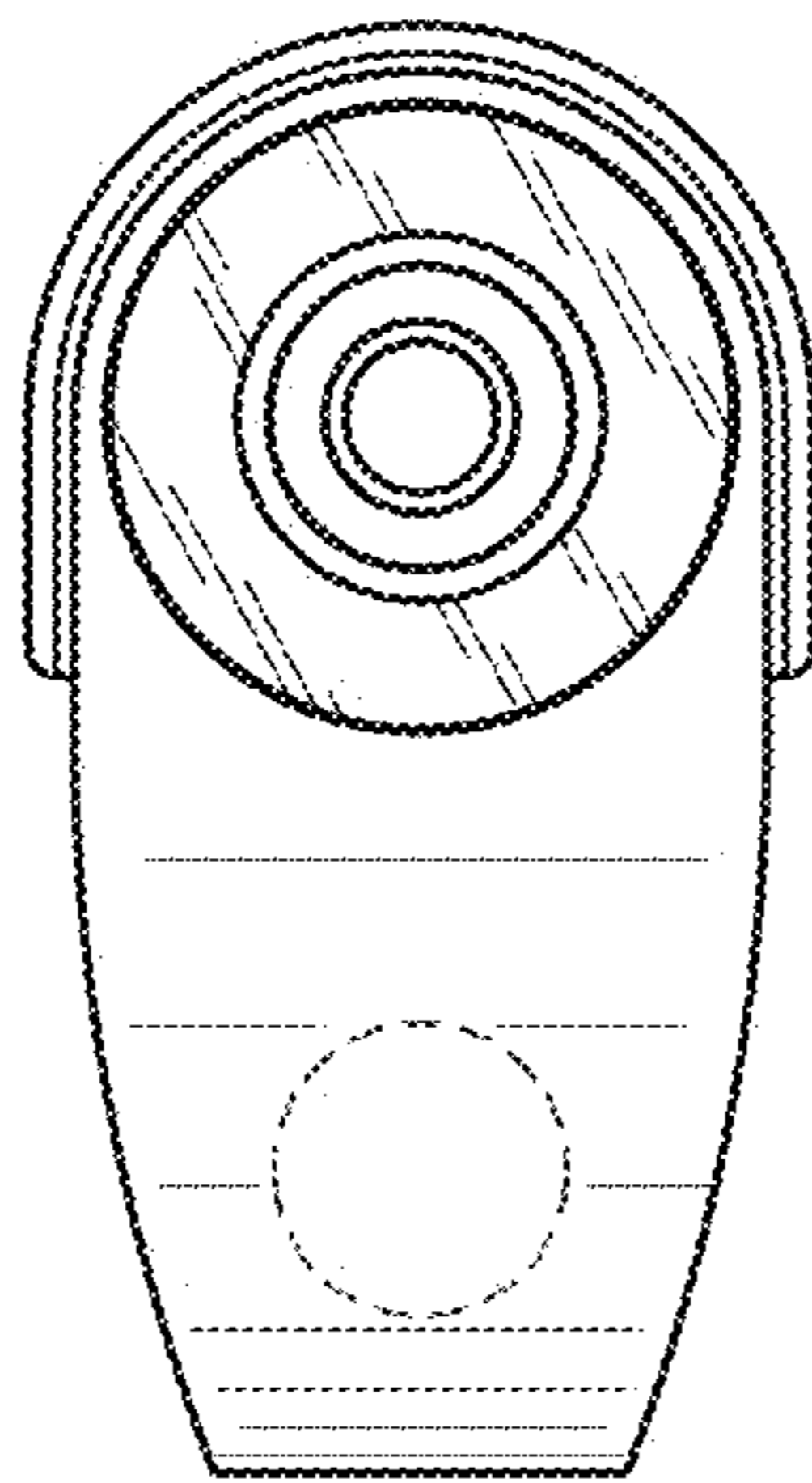


FIG. 7

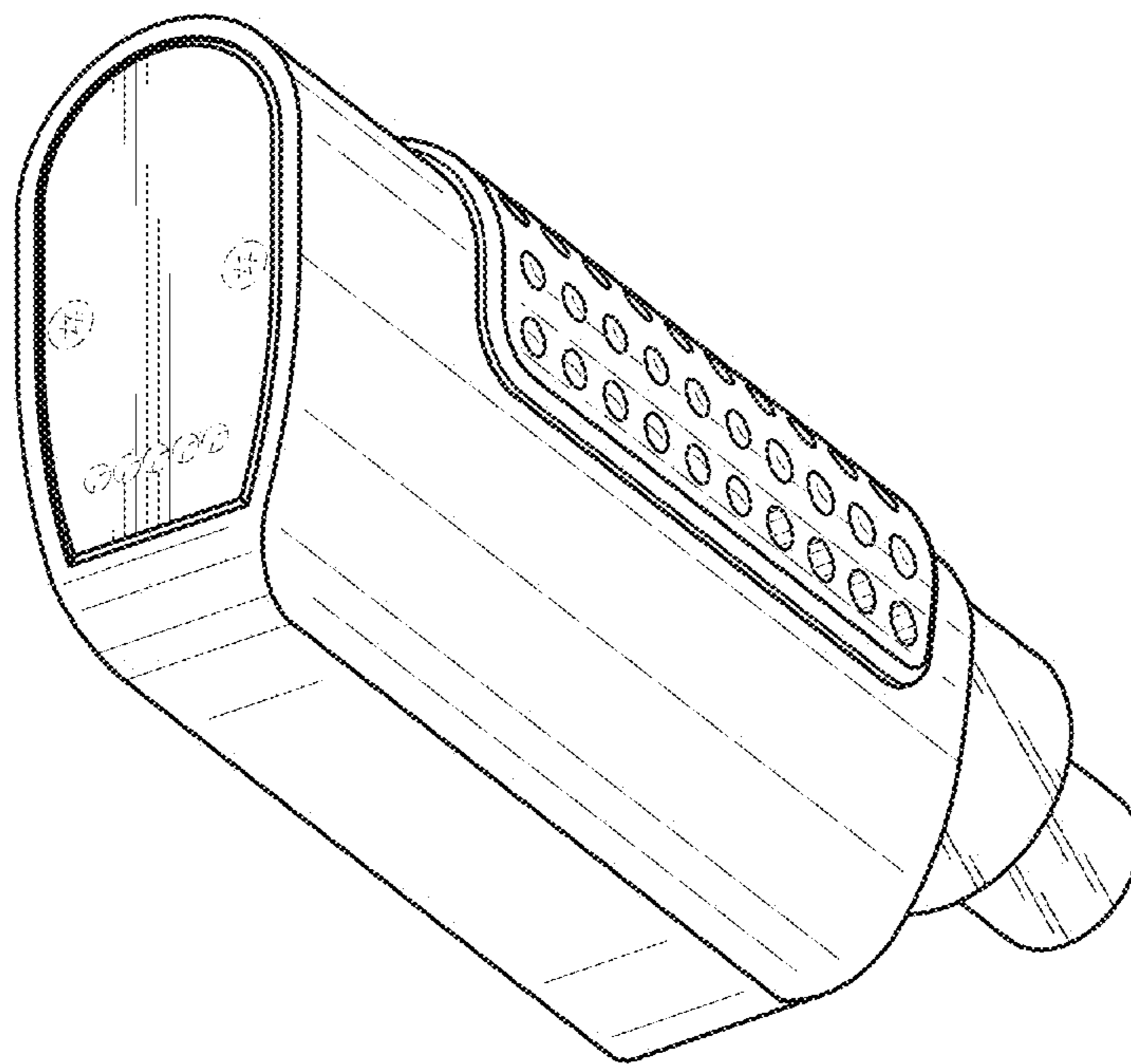


FIG. 8