



US00D836238S

(12) **United States Design Patent** (10) **Patent No.:** **US D836,238 S**
Ericson, Jr. et al. (45) **Date of Patent:** **** Dec. 18, 2018**

(54) **LIGHT TUBE**

FOREIGN PATENT DOCUMENTS

(71) Applicant: **Ericson Manufacturing Company**,
Willoughby, OH (US)
(72) Inventors: **John E. Ericson, Jr.**, Chagrin Falls,
OH (US); **Ronald W. Hughes**,
Thompson, OH (US); **Jeffrey R. Angle**,
Newbury, OH (US)
(73) Assignee: **ERICSON MANUFACTURING CO.**,
Willoughby, OH (US)
(**) Term: **15 Years**
(21) Appl. No.: **29/599,961**
(22) Filed: **Apr. 7, 2017**
(51) **LOC (11) Cl.** **26-99**
(52) **U.S. Cl.**
USPC **D26/118**
(58) **Field of Classification Search**
USPC D26/3, 76, 92, 93, 104, 118, 113, 24
CPC F21S 9/03; F21S 8/085; F21S 8/086; F21S
8/043; F21S 6/002; F21S 6/003; F21S
4/20; F21W 2131/103; F21V 15/01;
F21V 21/16; F21V 8/00; F21V 7/04;
F21V 19/0085; F21V 19/003
See application file for complete search history.

WO 2016154156 A1 9/2016
Primary Examiner — Brian N. Vinson
(74) *Attorney, Agent, or Firm* — Calfee, Halter &
Griswold LLP

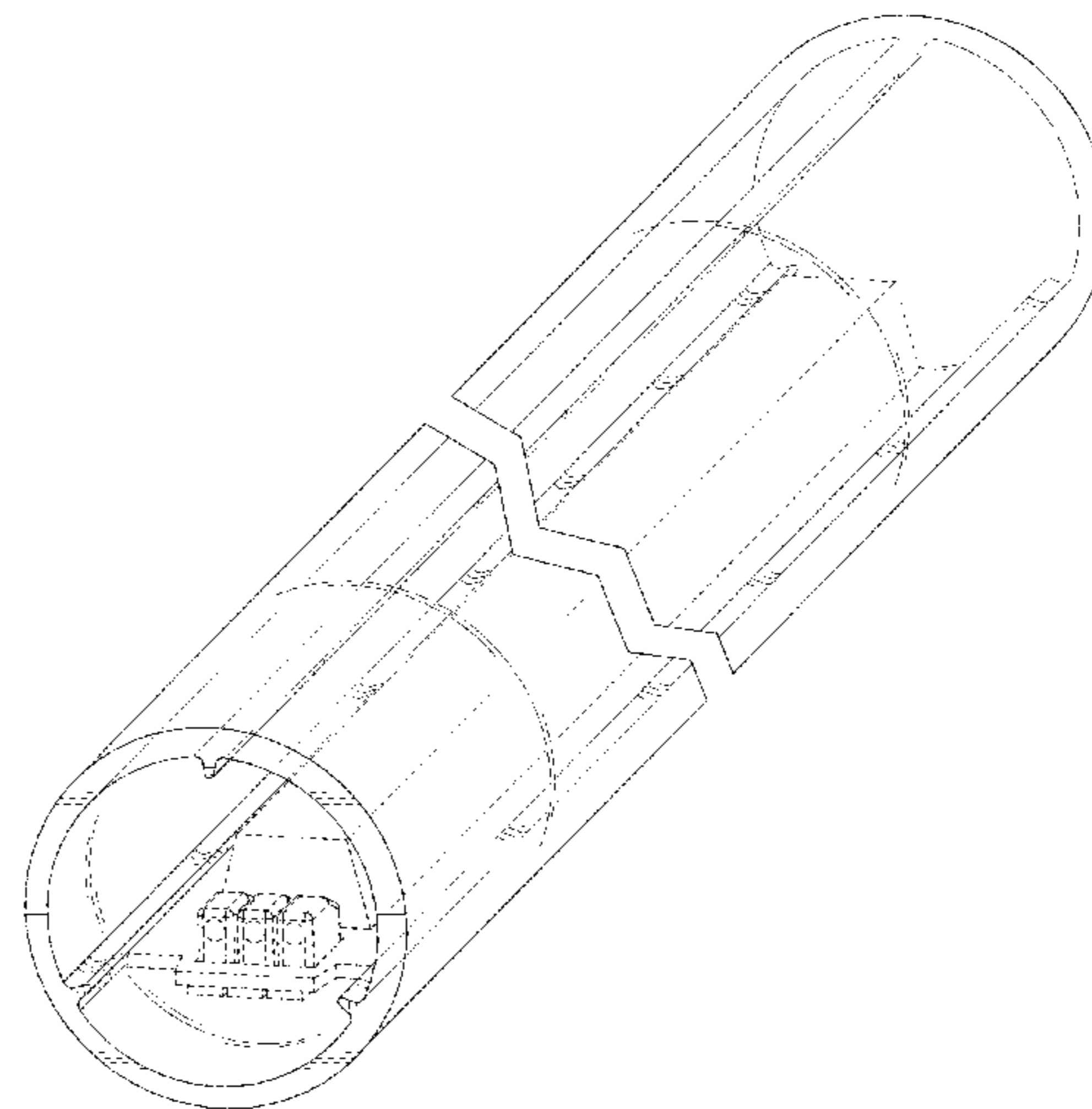
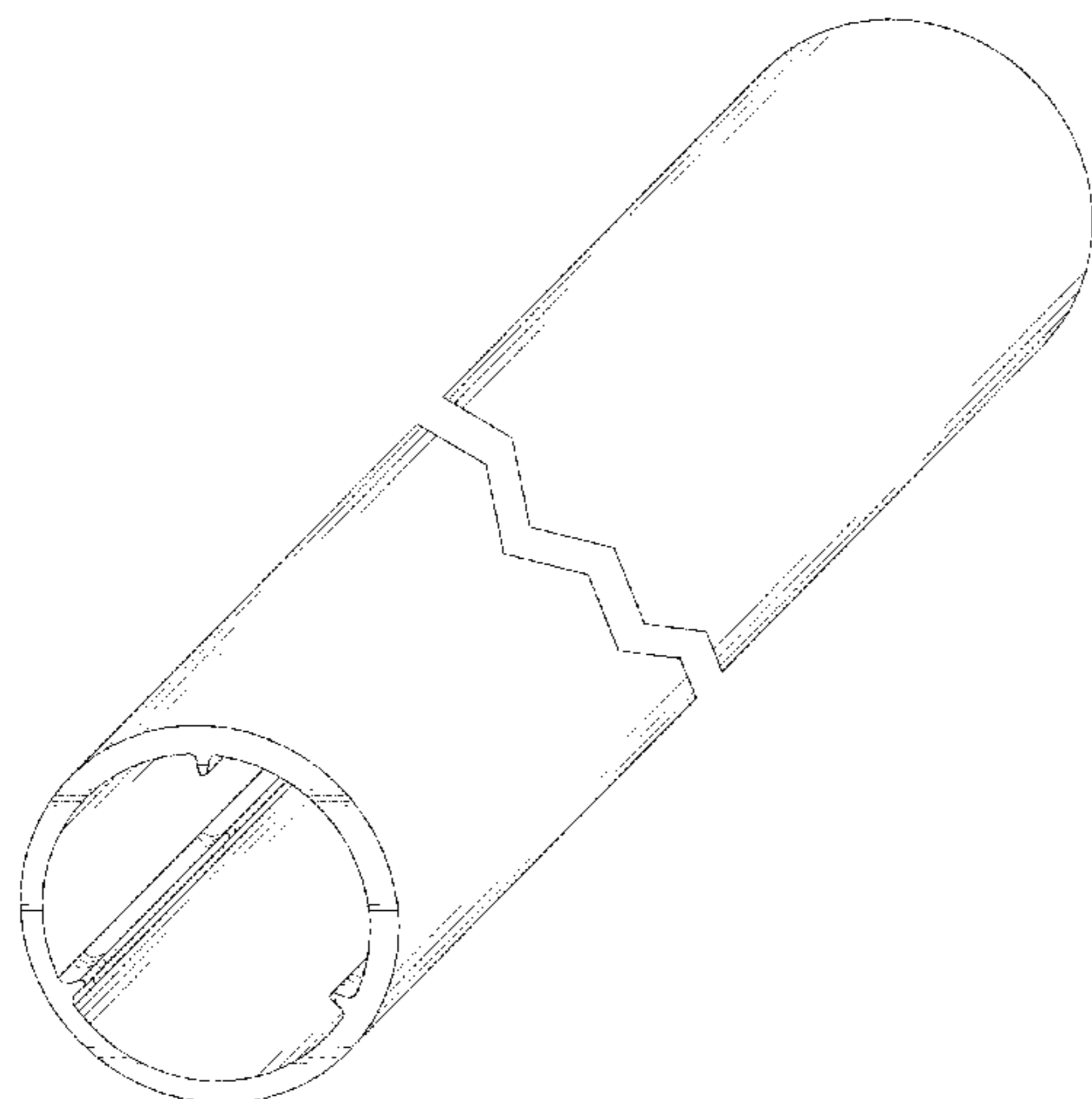
(57) **CLAIM**
We claim the ornamental design for a light tube, as shown
and described.

DESCRIPTION

FIG. 1 is a perspective view of a light tube of the new design;
FIG. 2 is a front view of the light tube of FIG. 1, wherein the
rear view is a mirror image thereof;
FIG. 3 is a top view of the light tube of FIG. 1, wherein the
bottom, left side, and right side views of the light tube are
the same as the top view;
FIG. 4 is a perspective view of the light tube of FIG. 1,
wherein three LED boards are disposed within the light tube;
FIG. 5 is a perspective view of the light tube of FIG. 1,
wherein one LED board is disposed within the light tube;
FIG. 6 is perspective view of the light tube of FIG. 1,
wherein the light tube is shown as transparent;
FIG. 7 is front view of the light tube of FIG. 6, wherein the
rear view is a mirror image thereof;
FIG. 8 is left side view of the light tube of FIG. 6, wherein
the right side view is a mirror image thereof;
FIG. 9 is a top view of the light tube of FIG. 6, wherein the
bottom view is a mirror image thereof;
FIG. 10 is a perspective view of the light tube of FIG. 6,
wherein three LED boards are disposed within the light tube;
and,
FIG. 11 is a perspective view of the light tube of FIG. 6,
wherein one LED board is disposed within the light tube.
The portions of the Figures shown in broken lines are for
illustrative purposes only and form no part of the claimed
design. The area between the symbols which indicate that
the tube is broken away form no part of the claimed design.

(56) **References Cited**
U.S. PATENT DOCUMENTS
D477,093 S * 7/2003 Moriyama D26/24
D603,079 S * 10/2009 Toot D26/118
8,177,388 B2 * 5/2012 Yen F21V 19/003
362/217.01
D669,200 S 10/2012 Chen et al.
D693,048 S * 11/2013 Ng D26/76
(Continued)

1 Claim, 8 Drawing Sheets



(56)

References Cited

U.S. PATENT DOCUMENTS

8,632,207 B2 *	1/2014	Bowen	F21S 4/20 362/217.16
D721,828 S	1/2015	Chen et al.	
9,057,493 B2	6/2015	Simon et al.	
9,097,408 B2 *	8/2015	Su	F21V 15/01
9,273,835 B2	3/2016	Negley et al.	
9,297,510 B2	3/2016	Long	
9,551,480 B2	1/2017	Speer et al.	
D792,638 S *	7/2017	Sonneman	D26/118

* cited by examiner

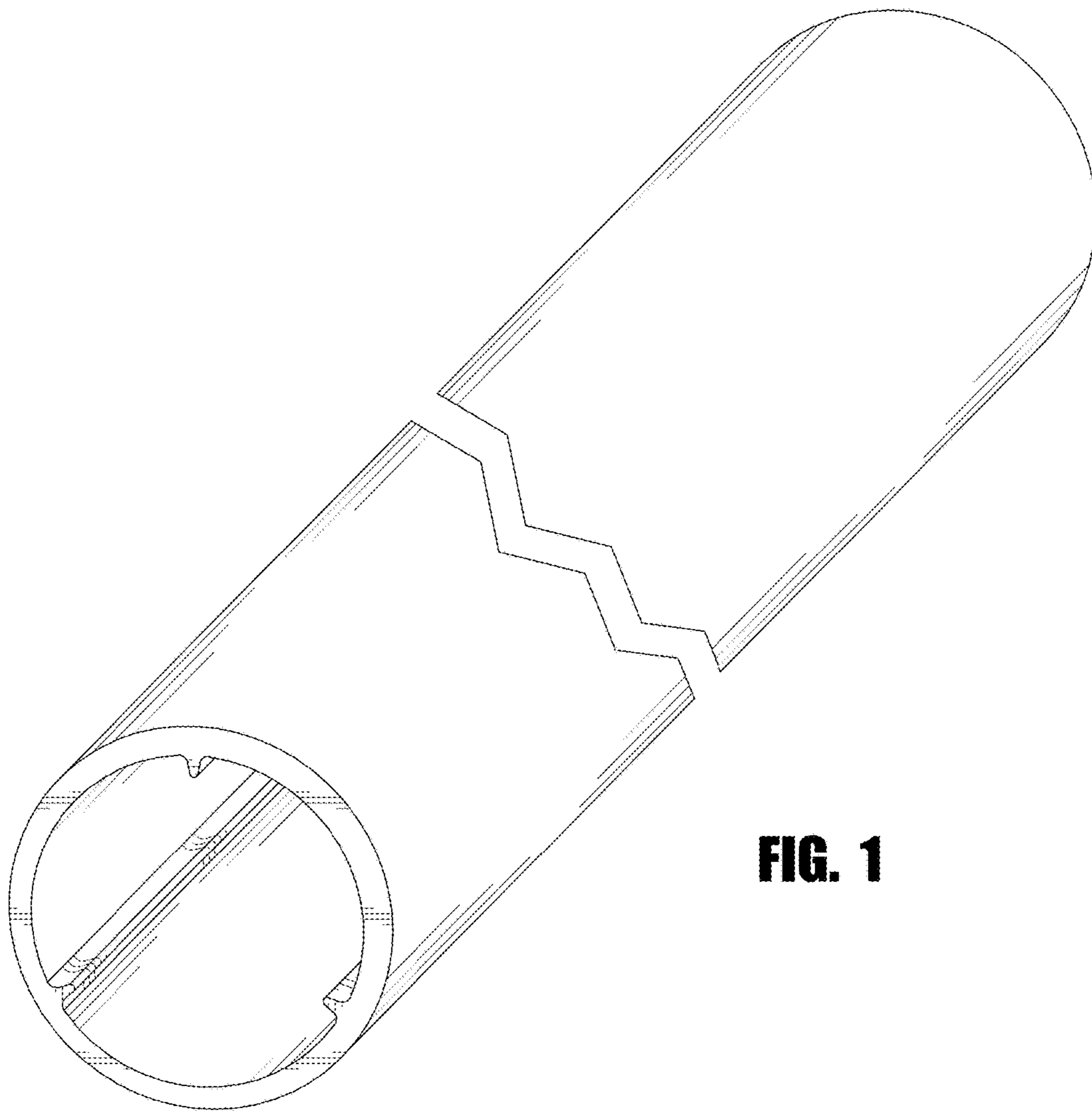


FIG. 1

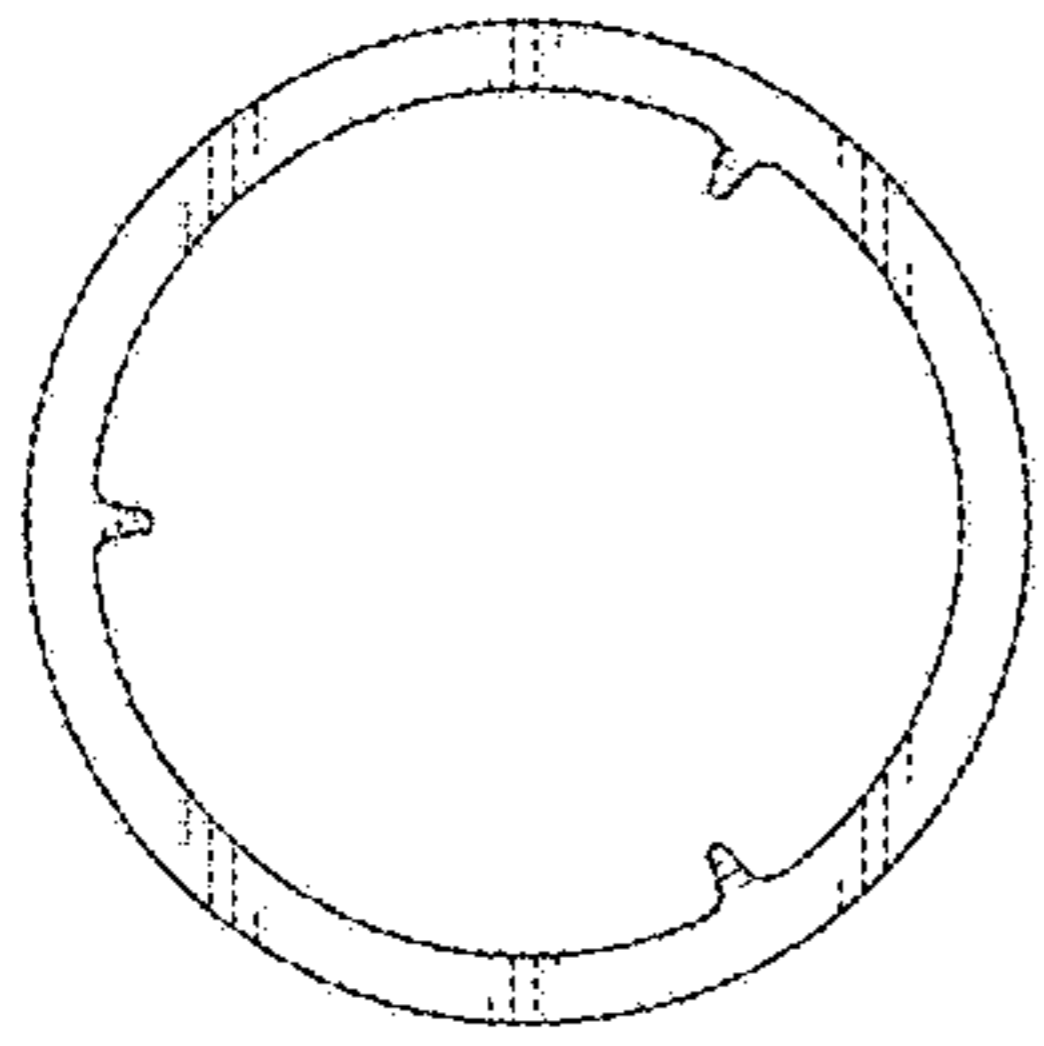


FIG. 2

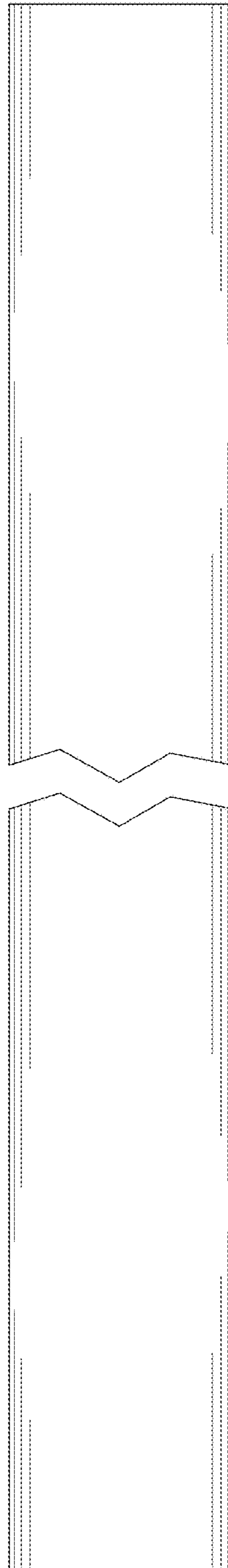


FIG. 3

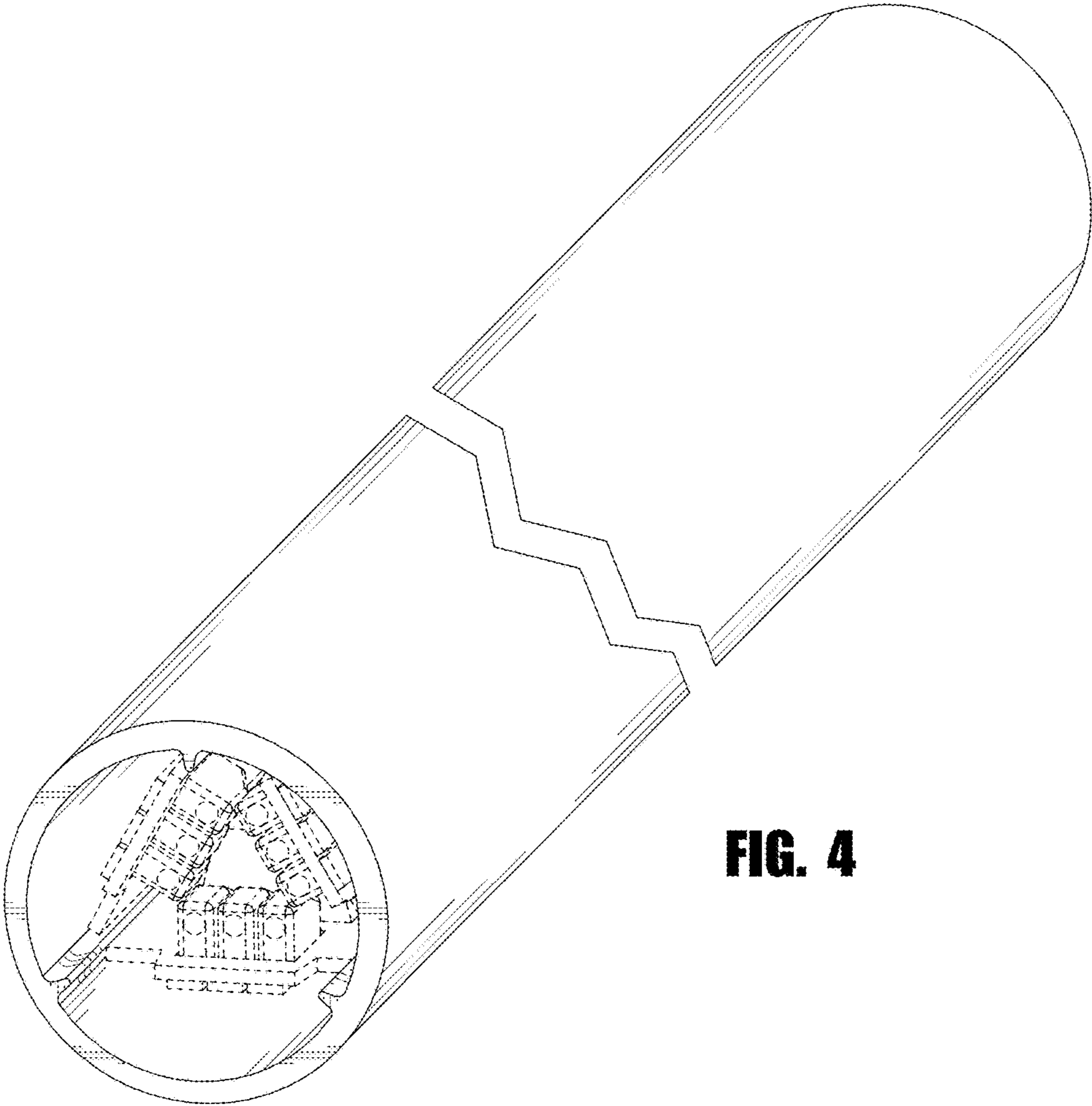


FIG. 4

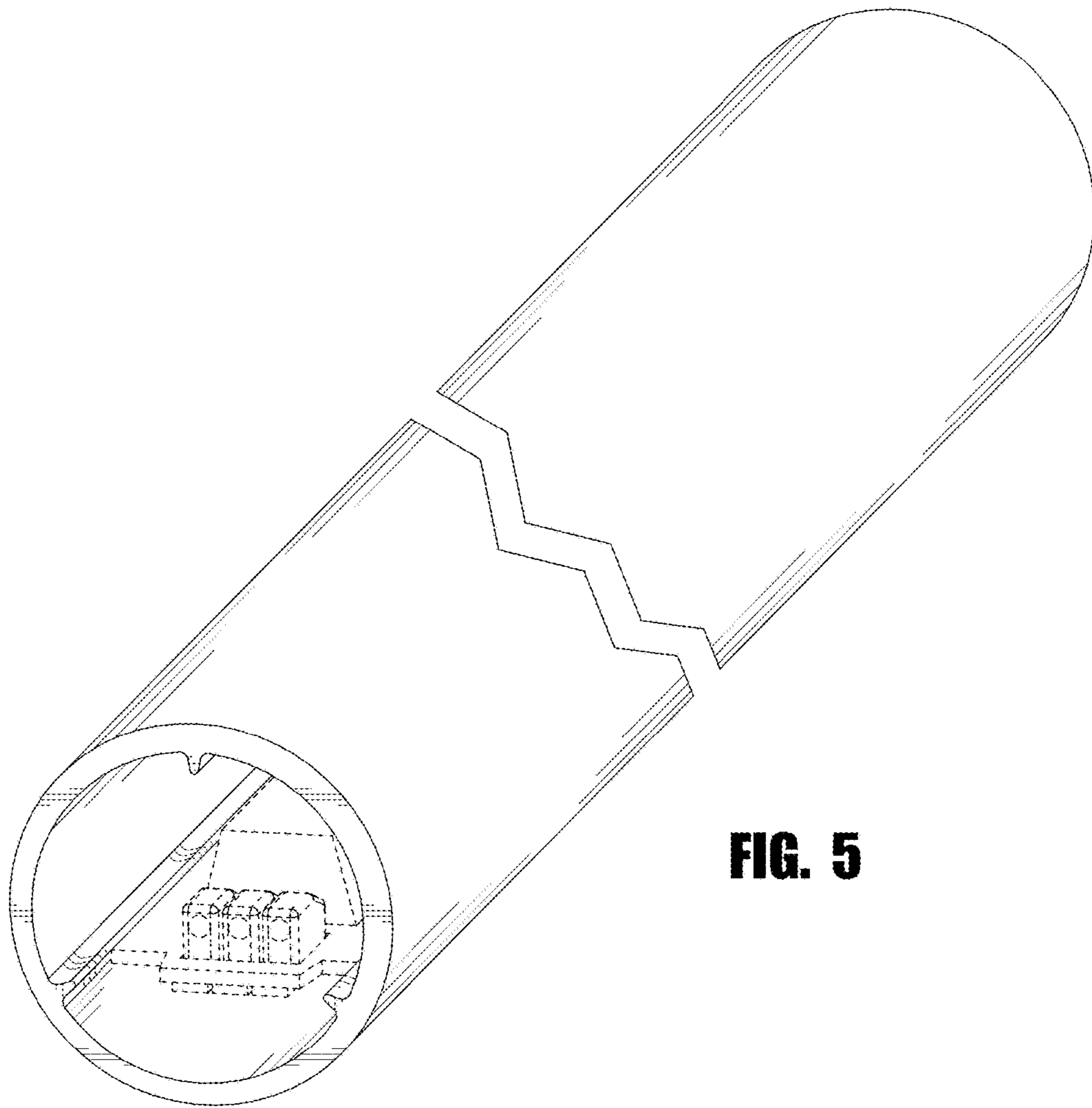


FIG. 5

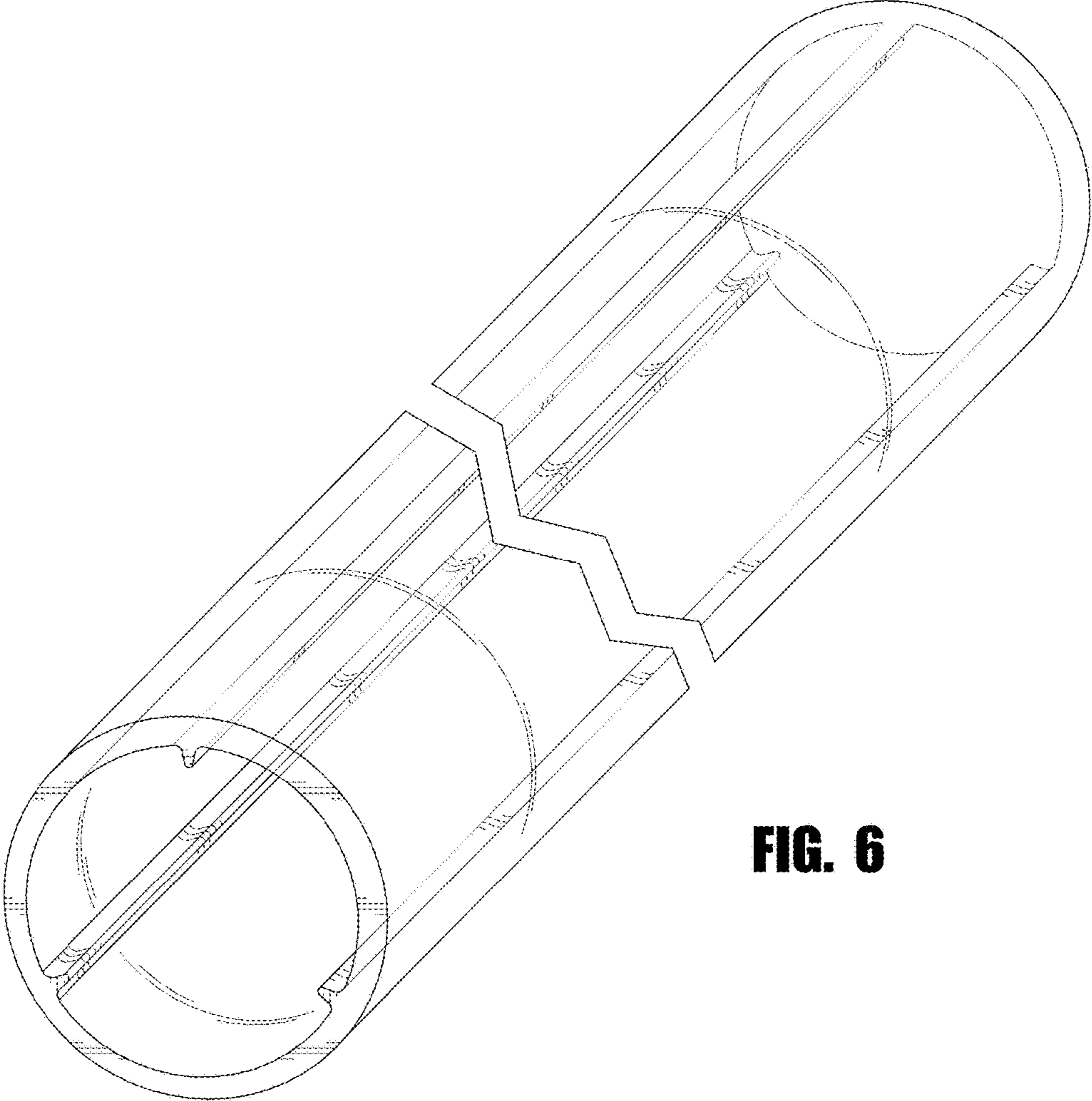


FIG. 6

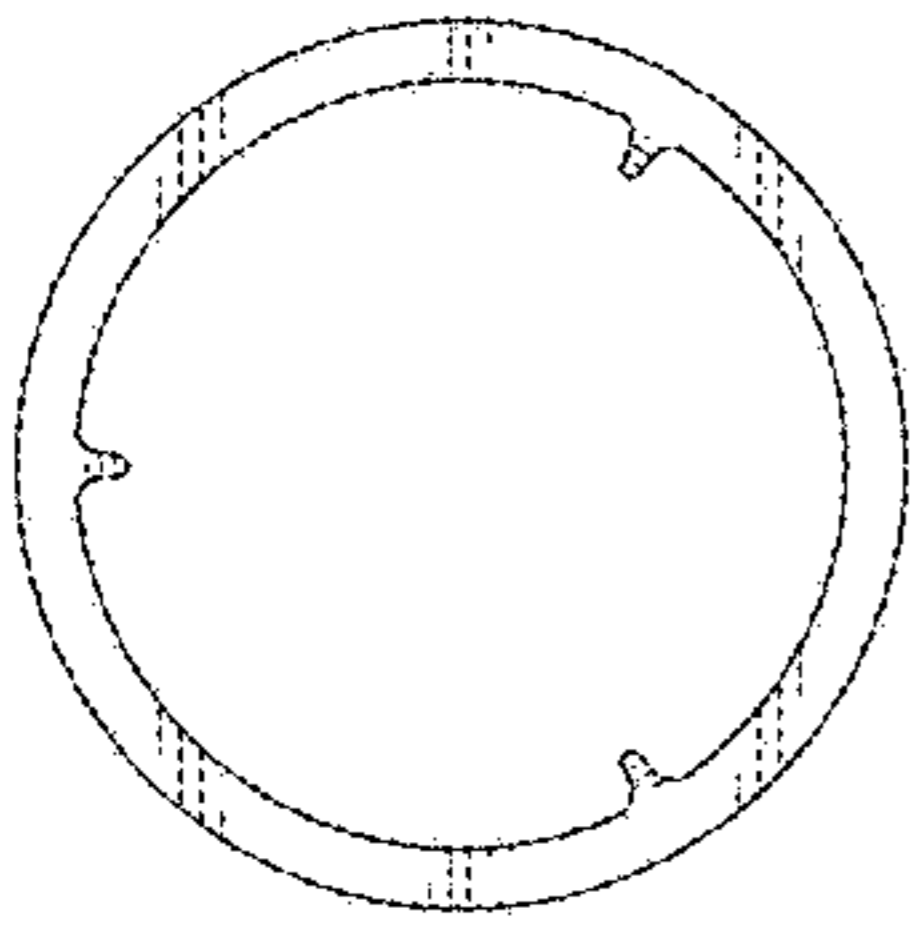


FIG. 7

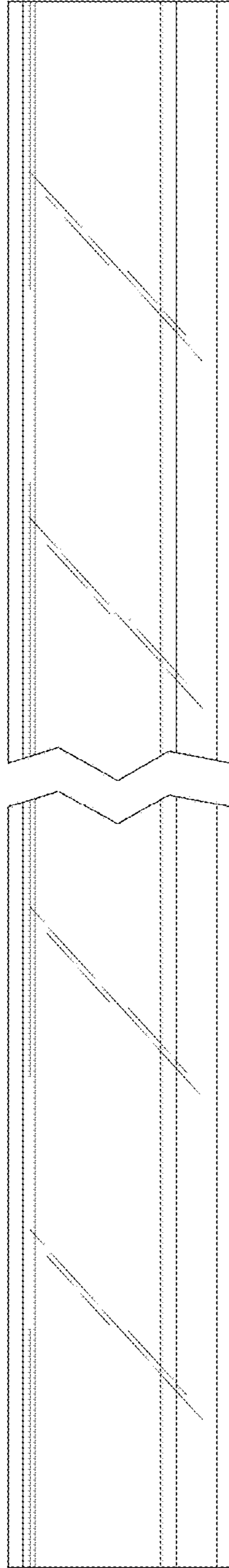


FIG. 8

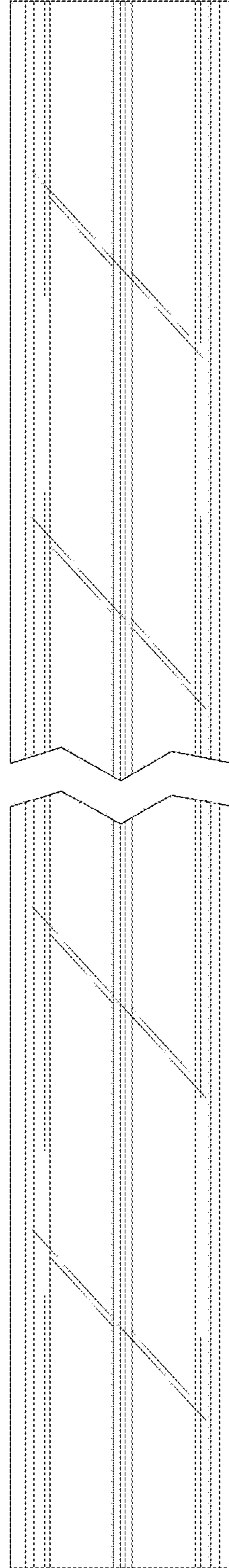


FIG. 9

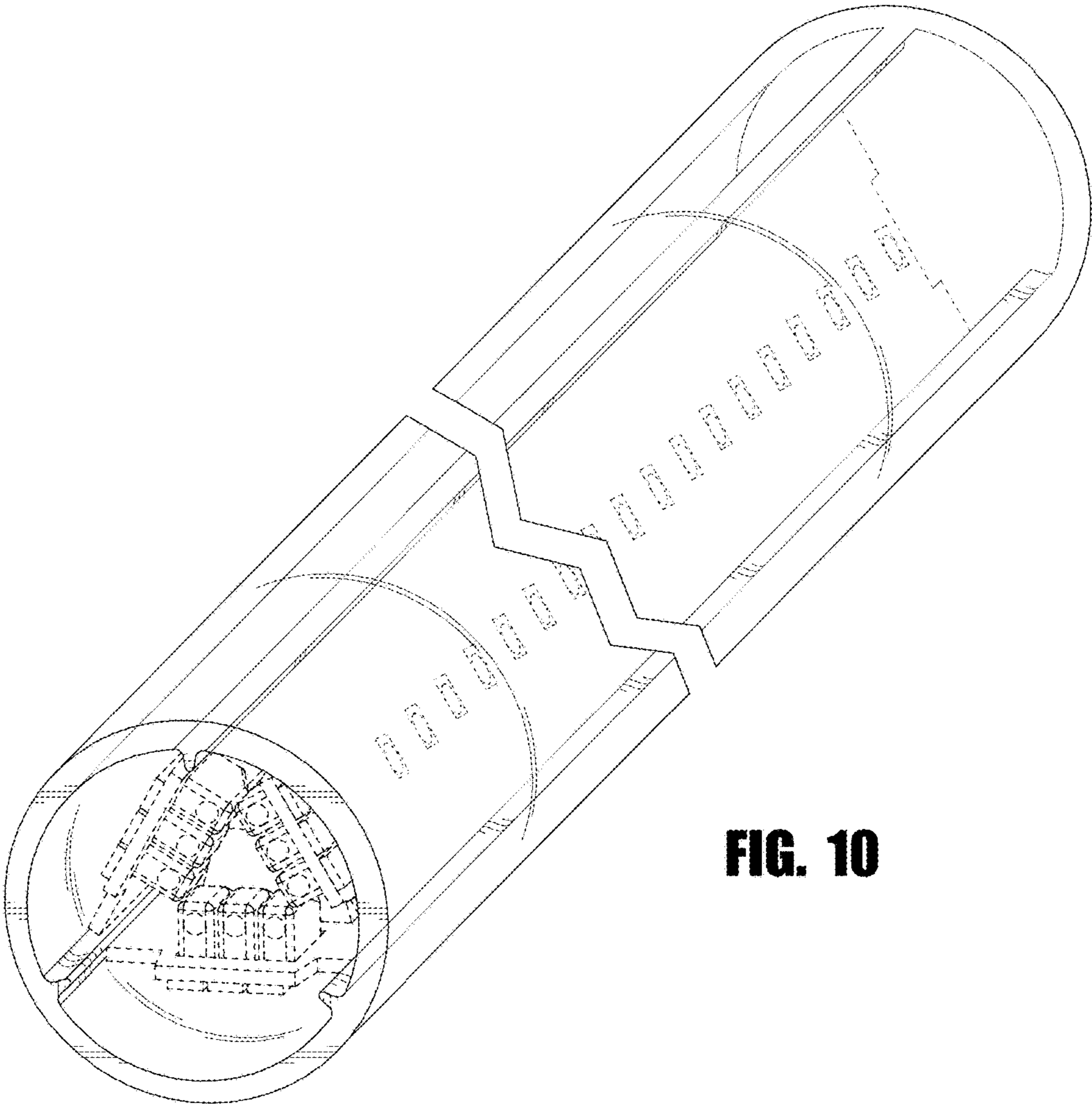


FIG. 10

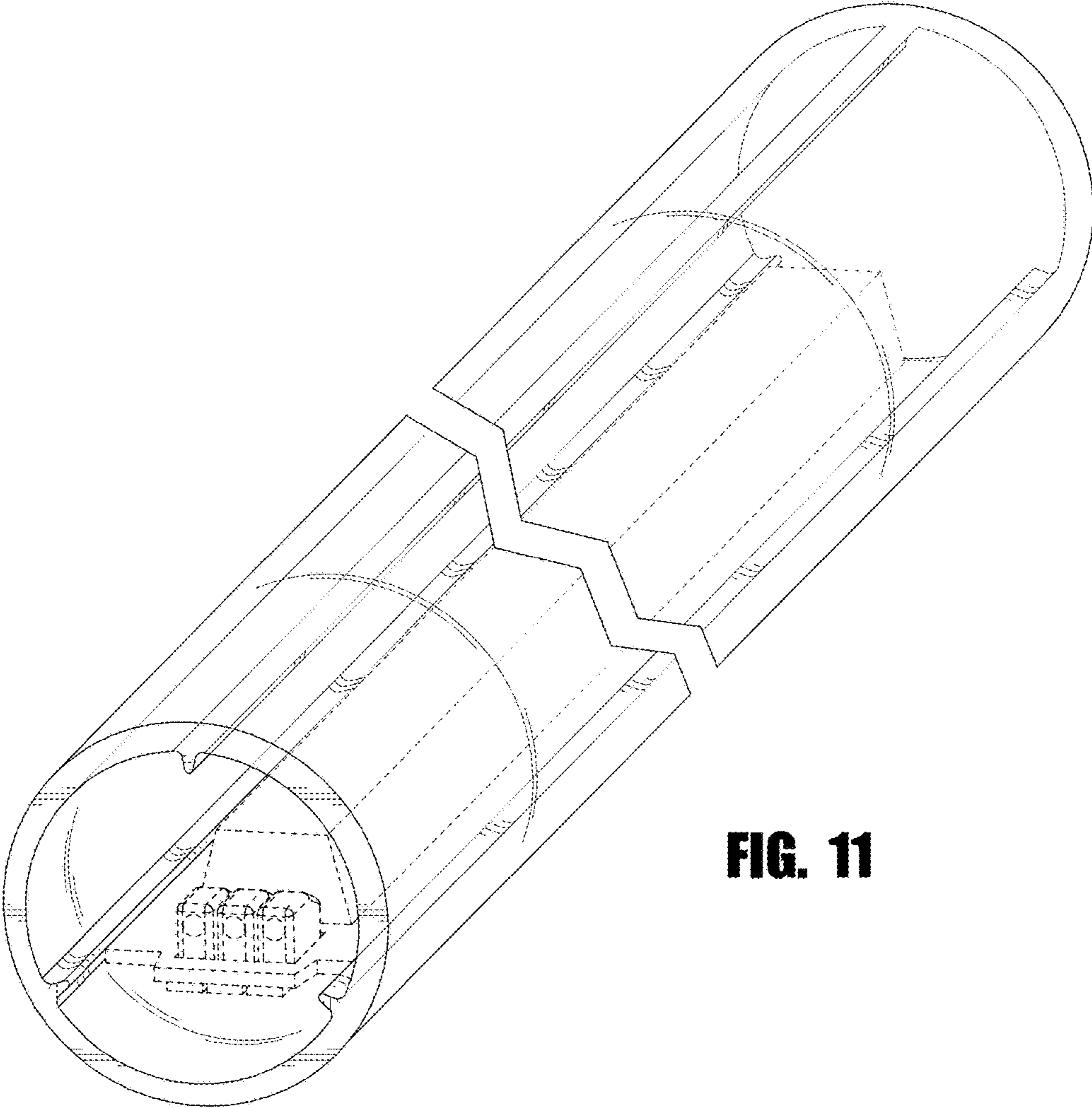


FIG. 11