



US00D836237S

(12) **United States Design Patent**  
**Yu et al.**

(10) **Patent No.:** **US D836,237 S**

(45) **Date of Patent:** **\*\* Dec. 18, 2018**

(54) **MINI MULTIMOUNT LIGHT BAR FIXTURE**

(71) Applicants: **Scott S Yu**, Tiburon, CA (US); **Rick Wong**, Sonoma, CA (US)

(72) Inventors: **Scott S Yu**, Tiburon, CA (US); **Rick Wong**, Sonoma, CA (US)

(73) Assignee: **Vode Lighting, LLC**, Sonoma, CA (US)

(\*\*) Term: **15 Years**

(21) Appl. No.: **29/603,219**

(22) Filed: **May 8, 2017**

(51) **LOC (11) Cl.** ..... **26-99**

(52) **U.S. Cl.**  
USPC ..... **D26/107**

(58) **Field of Classification Search**  
USPC ..... D26/1, 24, 63, 65, 93, 104, 106, 107, D26/109, 110  
CPC ..... F21S 6/00; F21S 6/043; F21S 8/08; F21V 21/00; F21V 21/02; F21W 2121/00; F21W 2131/30  
See application file for complete search history.

(56) **References Cited**

**U.S. PATENT DOCUMENTS**

D122,711 S \* 9/1940 May ..... D26/109  
D450,408 S \* 11/2001 Wang ..... D26/109

D662,640 S \* 6/2012 Ng ..... D26/65  
D690,044 S \* 9/2013 Ng ..... D26/65  
D690,861 S \* 10/2013 Huang ..... D26/65  
D729,964 S \* 5/2015 Huh ..... D26/63  
D744,154 S \* 11/2015 Ng ..... D26/107  
D747,536 S \* 1/2016 Huh ..... D26/107  
D768,908 S \* 10/2016 Fisher ..... D26/107  
D804,071 S \* 11/2017 Xu ..... D26/63

\* cited by examiner

*Primary Examiner* — Brian N. Vinson

(74) *Attorney, Agent, or Firm* — Antero Tormey & Petrin; Peter Tormey; Michael Petrin

(57) **CLAIM**

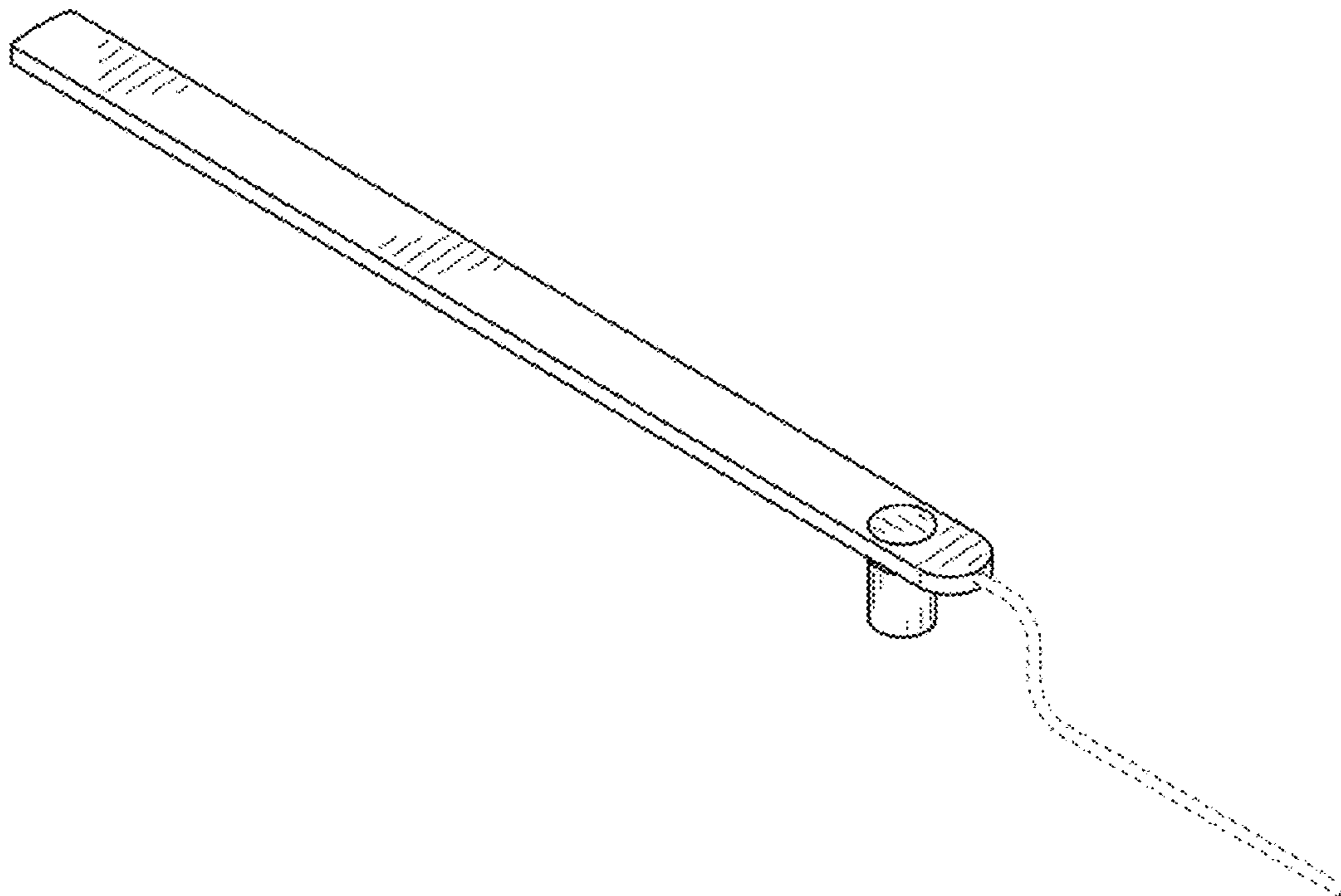
We claim the ornamental design for a mini multimount light bar fixture, as shown and described.

**DESCRIPTION**

FIG. 1. is a top perspective view of a mini multimount light bar fixture, showing the new design; FIG. 2 is a left side view thereof; FIG. 3 is a right side view thereof; FIG. 4 is a back view thereof; FIG. 5 is a front view thereof; FIG. 6 is a top view thereof; and, FIG. 7 is a bottom view thereof.

The broken line disclosure represents portions of the mini multimount light bar fixture which form no part of the claimed design.

**1 Claim, 4 Drawing Sheets**



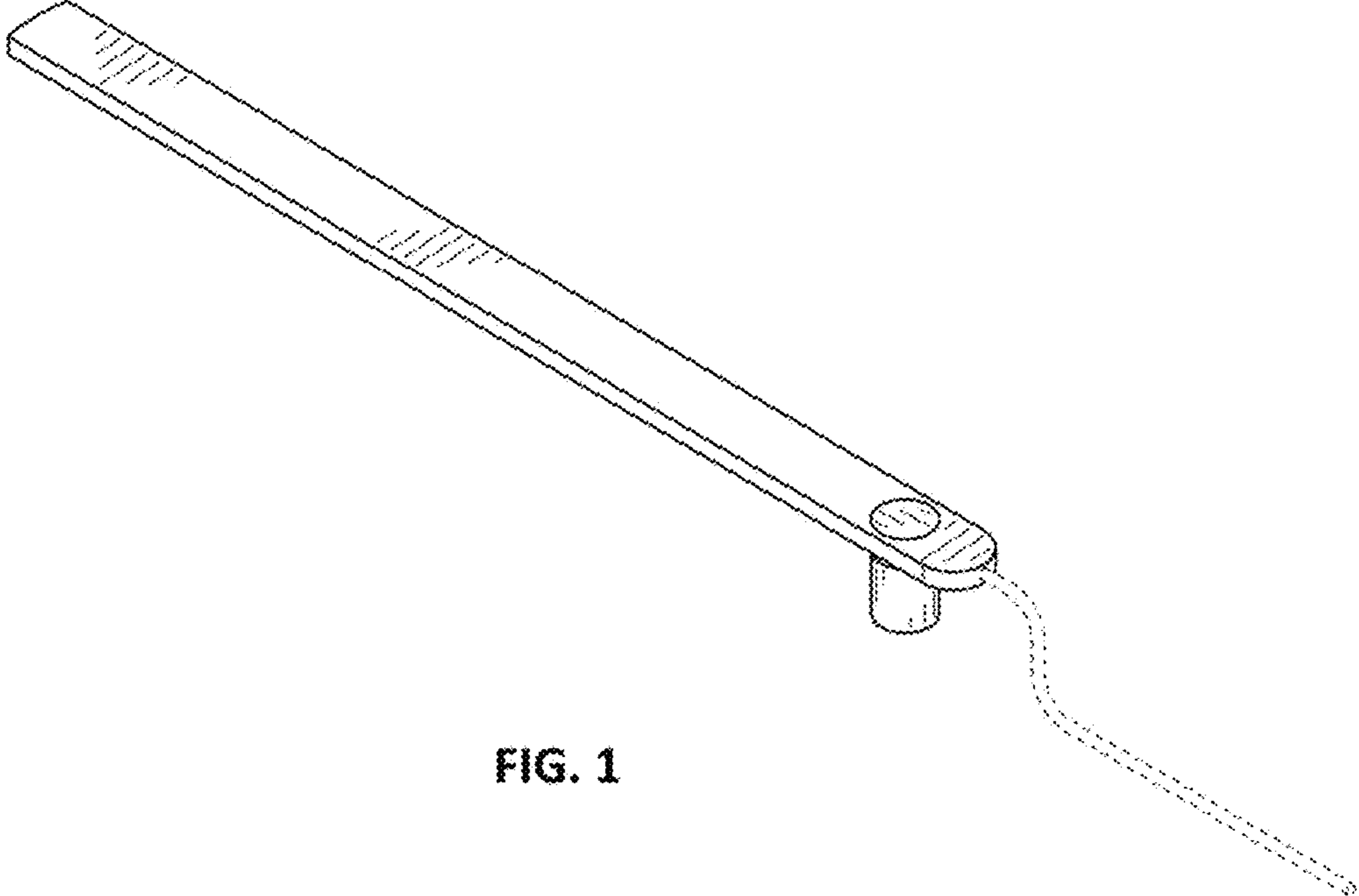


FIG. 1

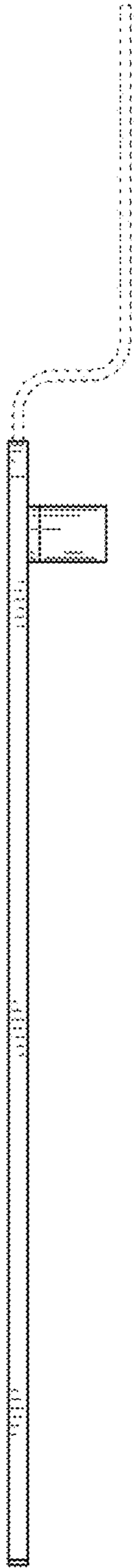


FIG. 2

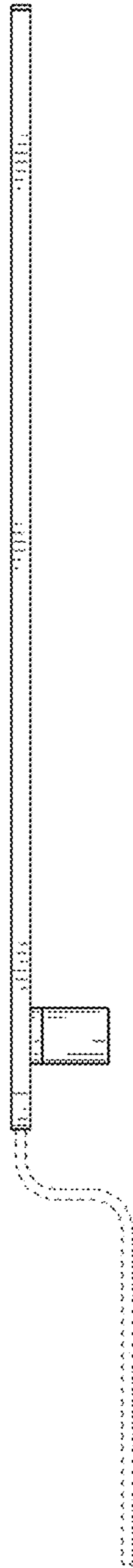


FIG. 3



FIG. 4

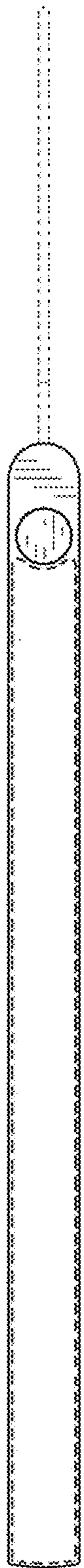
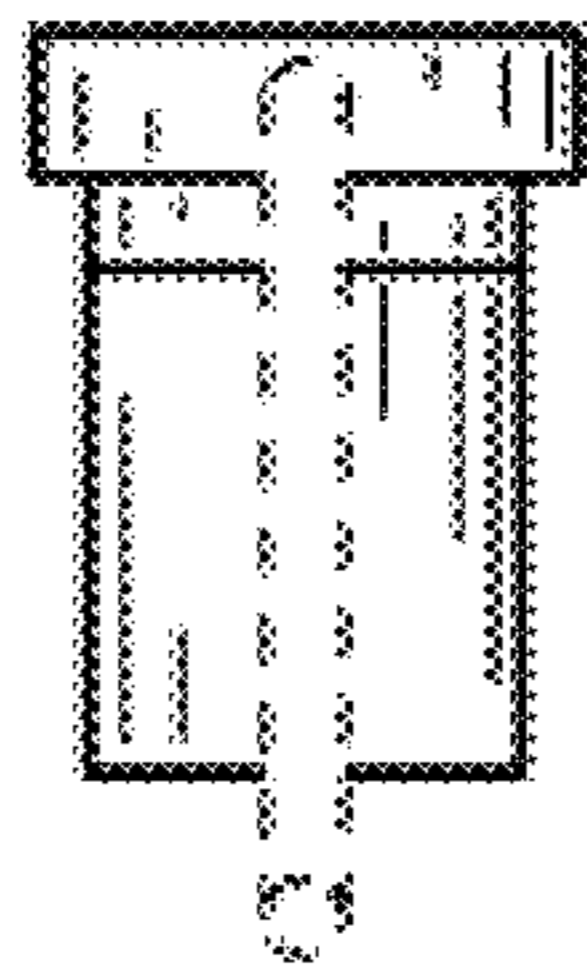
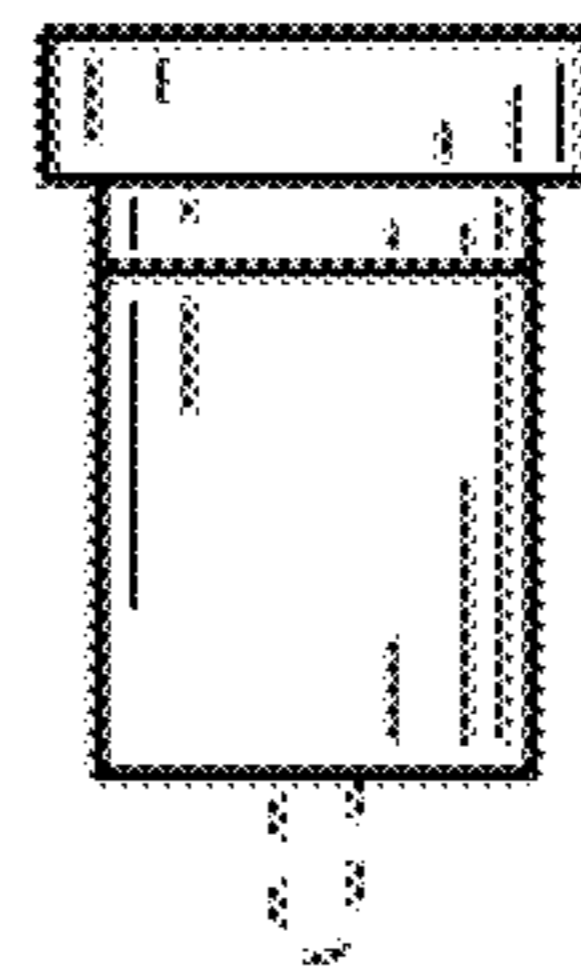


FIG. 5



**FIG. 6**



**FIG. 7**