



US00D836236S

(12) **United States Design Patent** (10) **Patent No.:** **US D836,236 S**
Deng (45) **Date of Patent:** **** Dec. 18, 2018**

(54) **WALL LAMP**

(71) Applicant: **Dongguan Pan American Electronics Co., Ltd**, DongGuan, GuangDong (CN)

(72) Inventor: **Jinsheng Deng**, DongGuan (CN)

(73) Assignee: **DONGGUAN PAN AMERICAN ELECTRONICS CO., LTD**, Dongguan, Guangdong (CN)

(**) Term: **15 Years**

(21) Appl. No.: **29/606,869**

(22) Filed: **Jun. 8, 2017**

(30) **Foreign Application Priority Data**

Mar. 31, 2017 (CN) 2017 3 0104362

(51) **LOC (11) Cl.** **26-05**

(52) **U.S. Cl.**
USPC **D26/85**

(58) **Field of Classification Search**
USPC D10/104.1, 106.1, 106.6, 106.8; D26/10, D26/37, 38, 40, 51, 60, 67, 68, 72, 76, D26/78, 82, 85, 86, 104, 106, 145
CPC F21S 8/00; F21S 8/02; F21S 8/04; F21S 8/003; F21S 8/006; F21S 6/00; F21S 9/022; F21S 9/037

See application file for complete search history.

(56) **References Cited**

U.S. PATENT DOCUMENTS

4,343,032 A * 8/1982 Schwartz F21S 8/035 362/147
D269,072 S * 5/1983 Sweet D10/106.6
4,398,239 A * 8/1983 de Vos F21S 8/086 362/145
4,559,587 A * 12/1985 Quiogue F21S 8/033 362/147

D343,018 S * 1/1994 Garrity D26/37
D440,683 S * 4/2001 Guercio D26/24
D569,028 S * 5/2008 Sandell D26/85
D569,029 S * 5/2008 Guercio D26/85
D630,366 S * 1/2011 Beach, Jr. D26/85
D691,318 S * 10/2013 Wilcox D26/85
D773,100 S * 11/2016 Guercio D26/85
D800,943 S * 10/2017 Shundong D26/85

OTHER PUBLICATIONS

Wall LED Light (available online Oct. 22, 2016) Retrieved from the internet Jul. 31, 2018 from URL: <https://web.archive.org/web/20161022020847/http://www.en-hflight.com/product/product-32-656.html> 2/.*

50w aluminum wall mounted fans with light (available online Feb. 23, 2017) Retrieved from the internet Jul. 31, 2018 from URL: <https://web.archive.org/web/20170223021444/http://www.en-hflight.com/product/50w-aluminum-wall-mounted-fans-with-light.html> 1/.*

* cited by examiner

Primary Examiner — Kevin K Rudzinski

Assistant Examiner — Richard Kearney

(74) *Attorney, Agent, or Firm* — Ladas & Parry LLP

(57) **CLAIM**

The ornamental design for a wall lamp, as shown and described.

DESCRIPTION

FIG. 1 is a front elevational view of a wall lamp showing my new design;

FIG. 2 is a rear elevational view thereof;

FIG. 3 is a left-side elevational view thereof;

FIG. 4 is a right-side elevational view thereof;

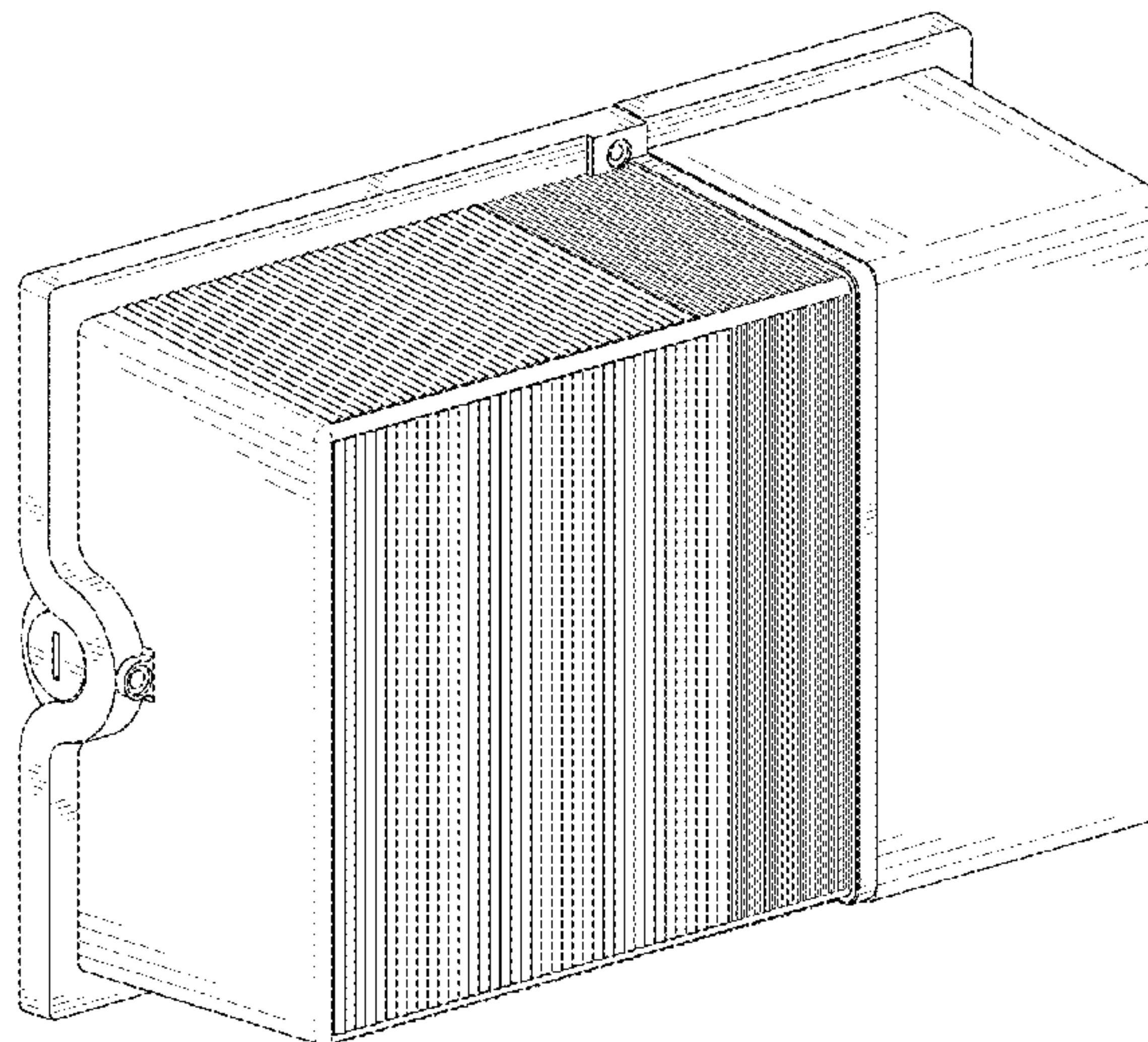
FIG. 5 is a top plan view thereof;

FIG. 6 is a bottom plan view thereof;

FIG. 7 is a front, top, left perspective view thereof; and,

FIG. 8 is rear, top, right perspective view thereof.

1 Claim, 8 Drawing Sheets



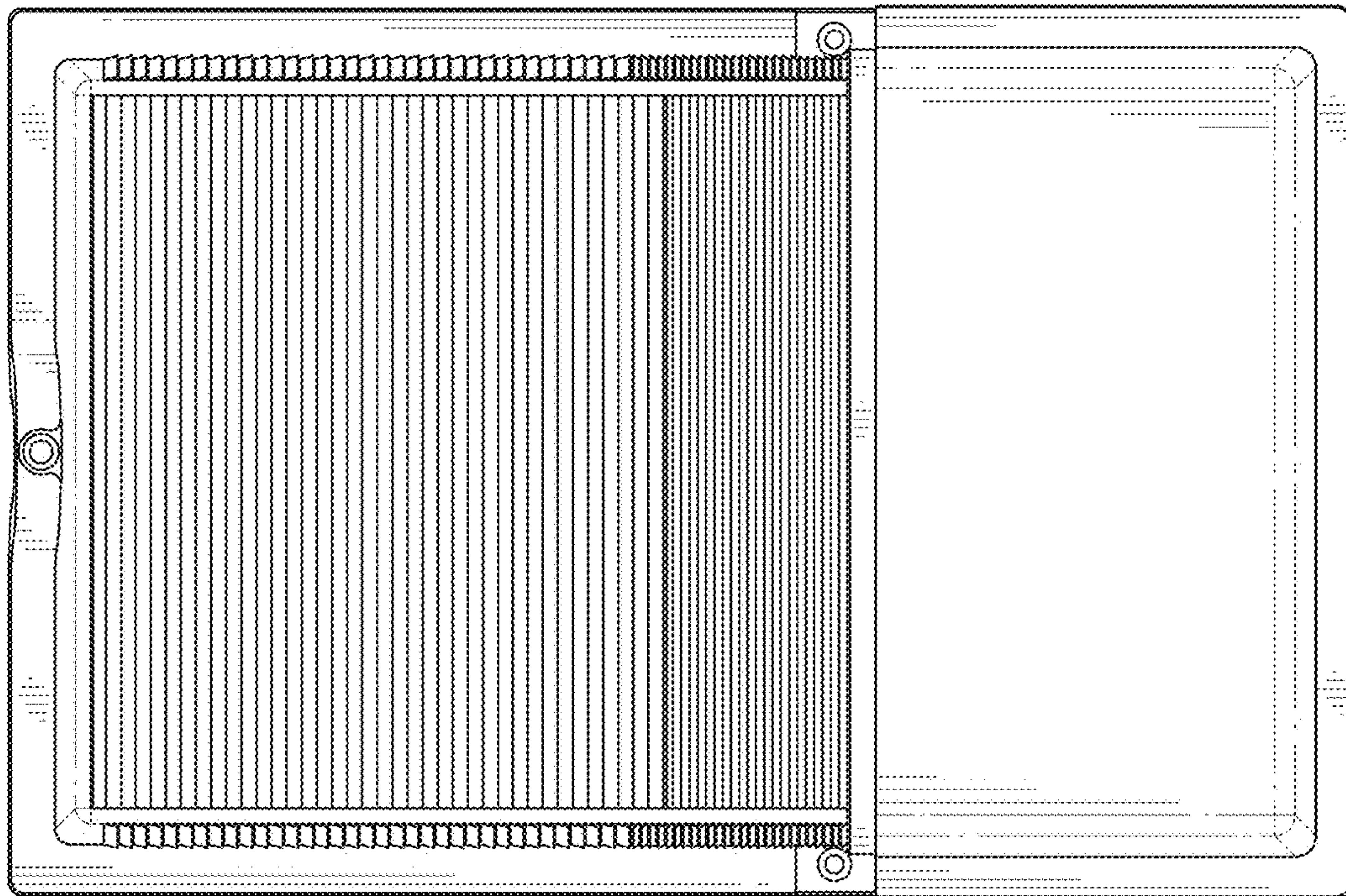


FIG. 1

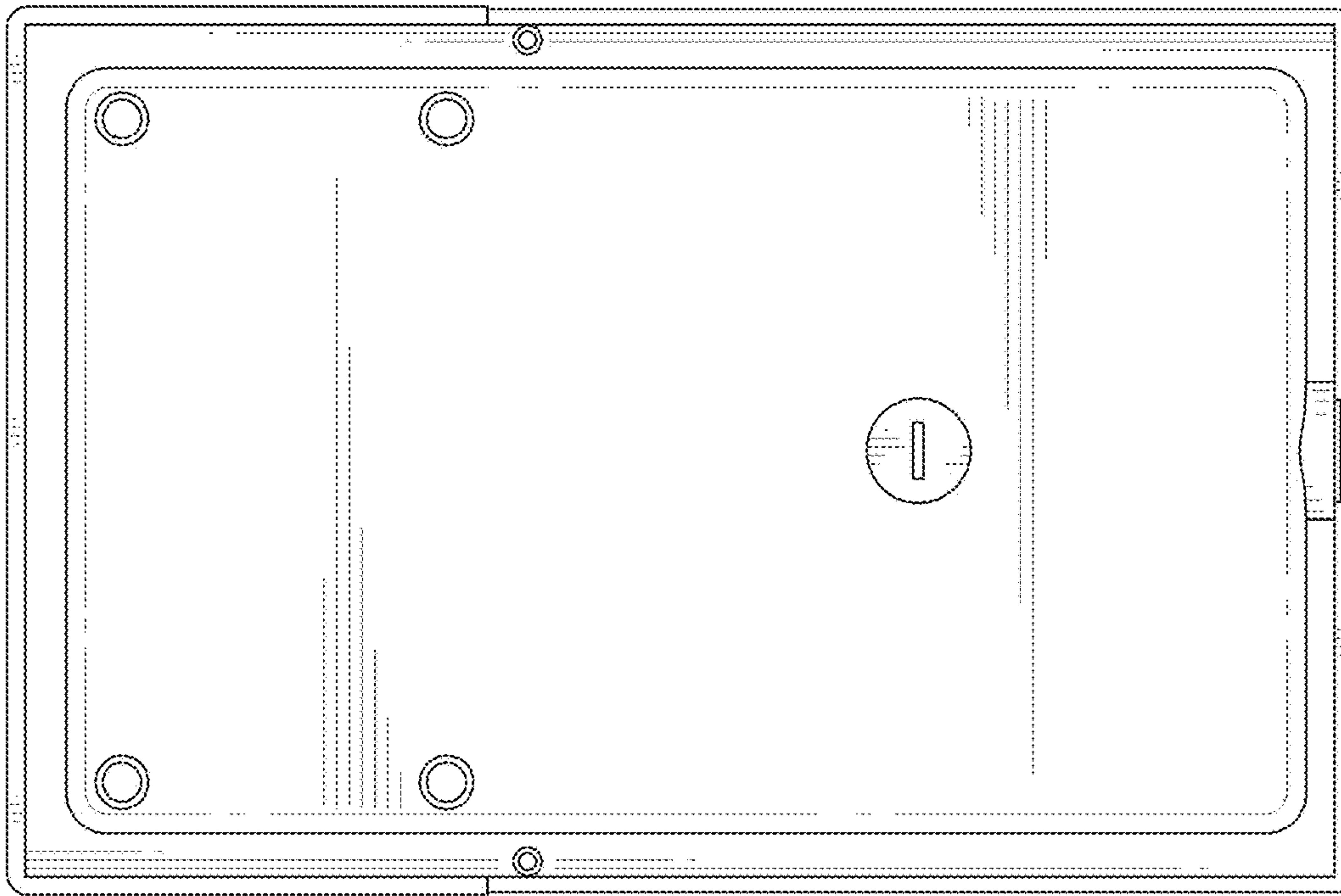


FIG. 2

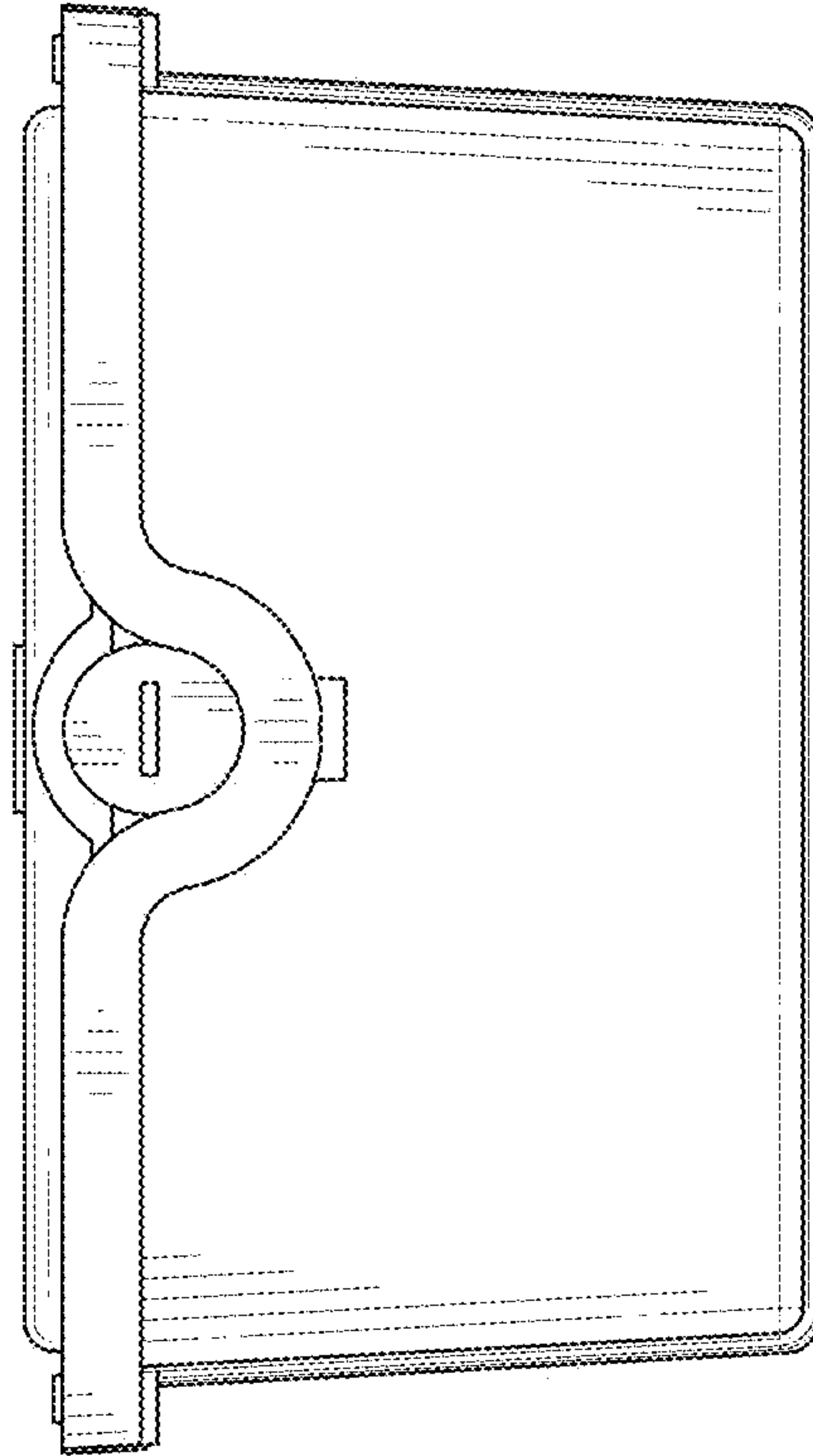


FIG. 3

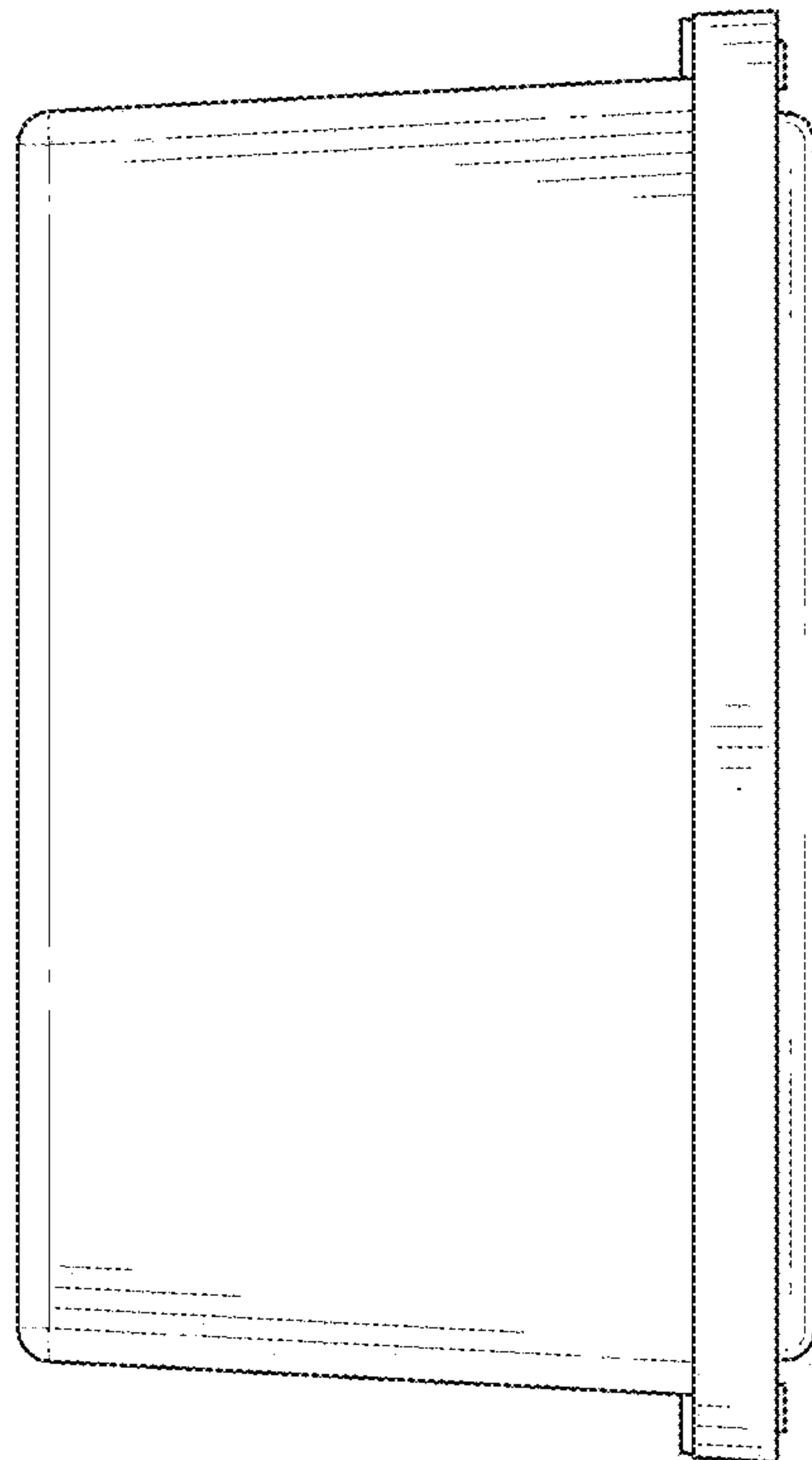


FIG. 4

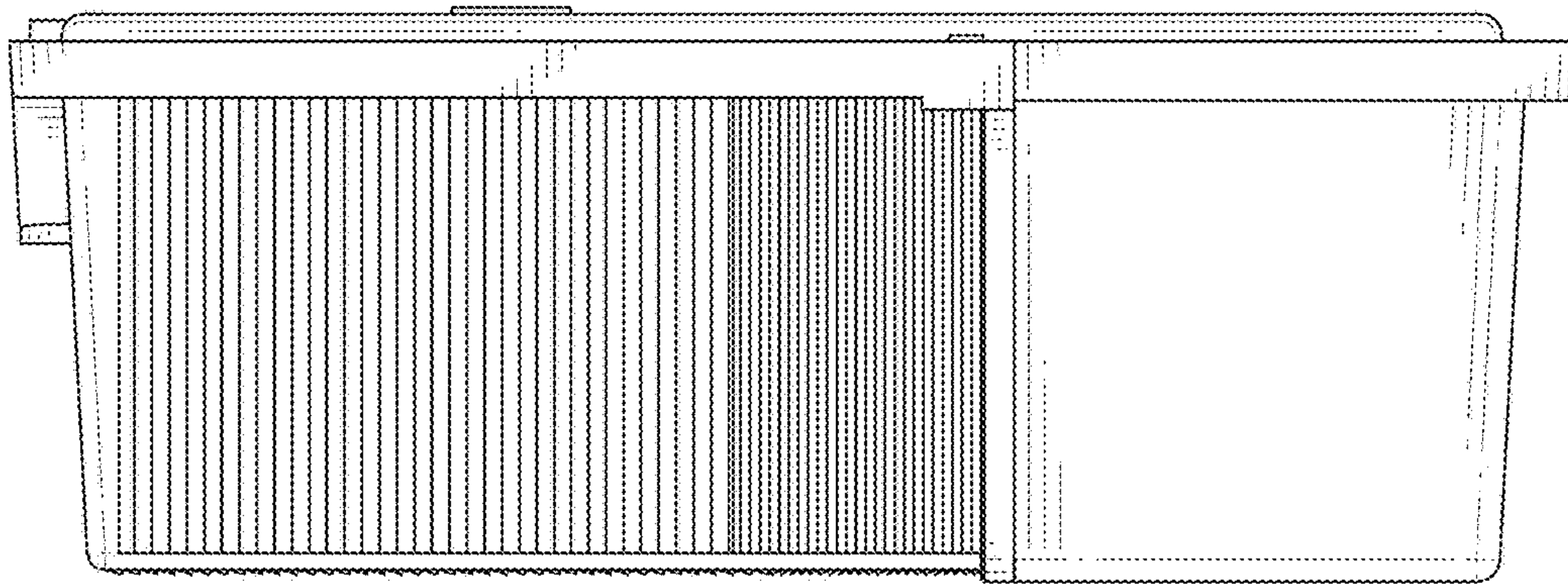


FIG. 5

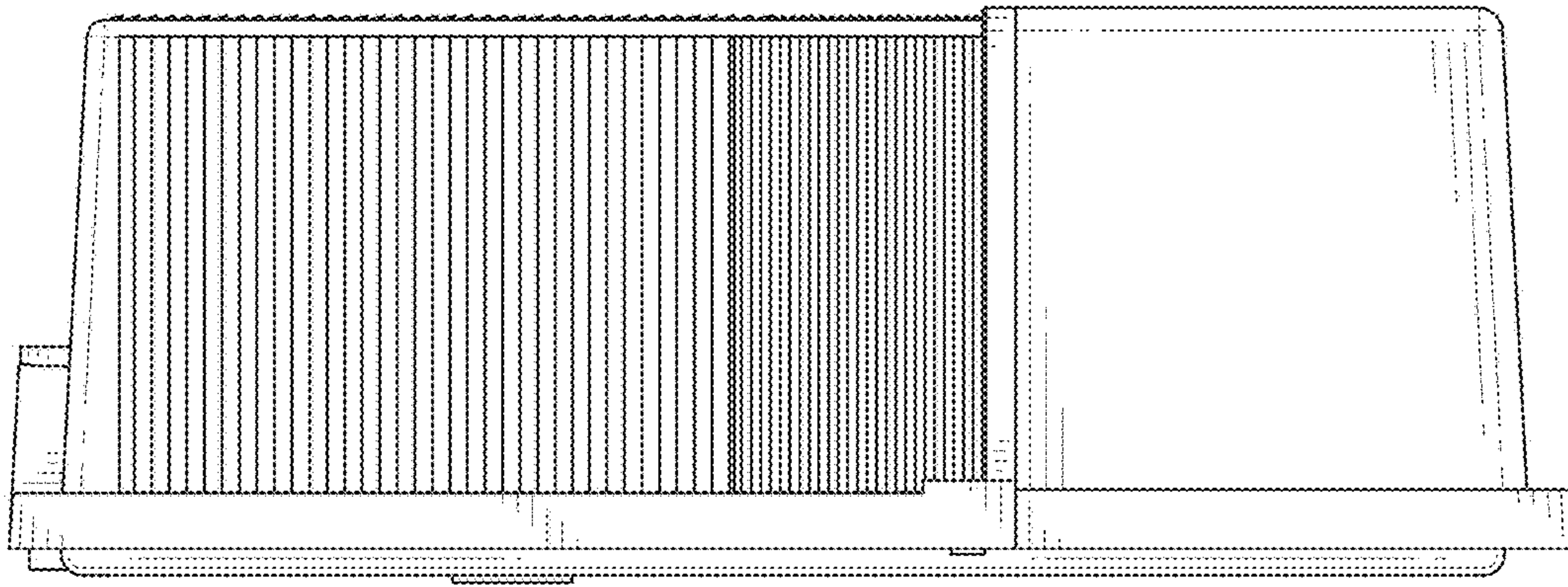


FIG. 6

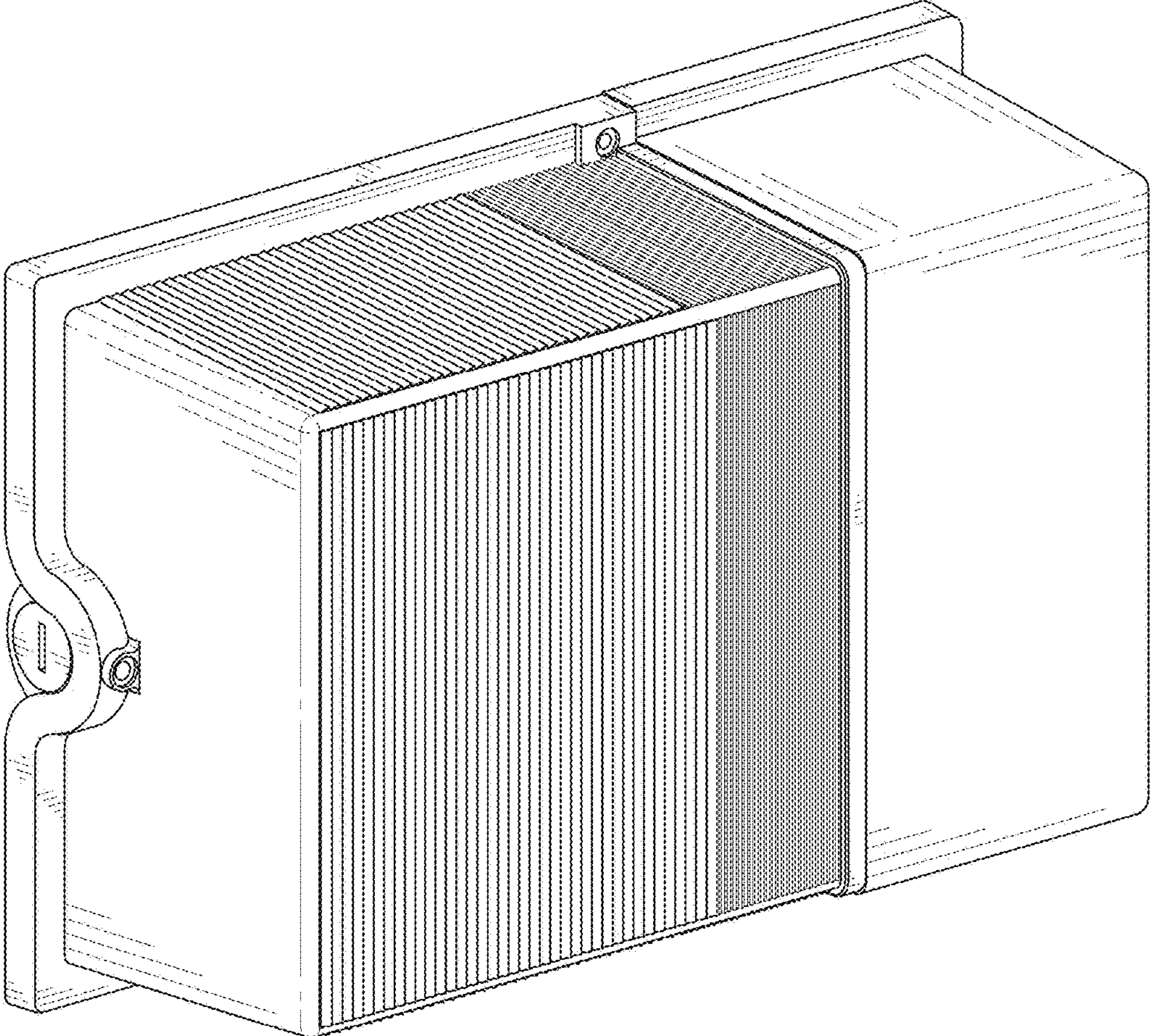


FIG. 7

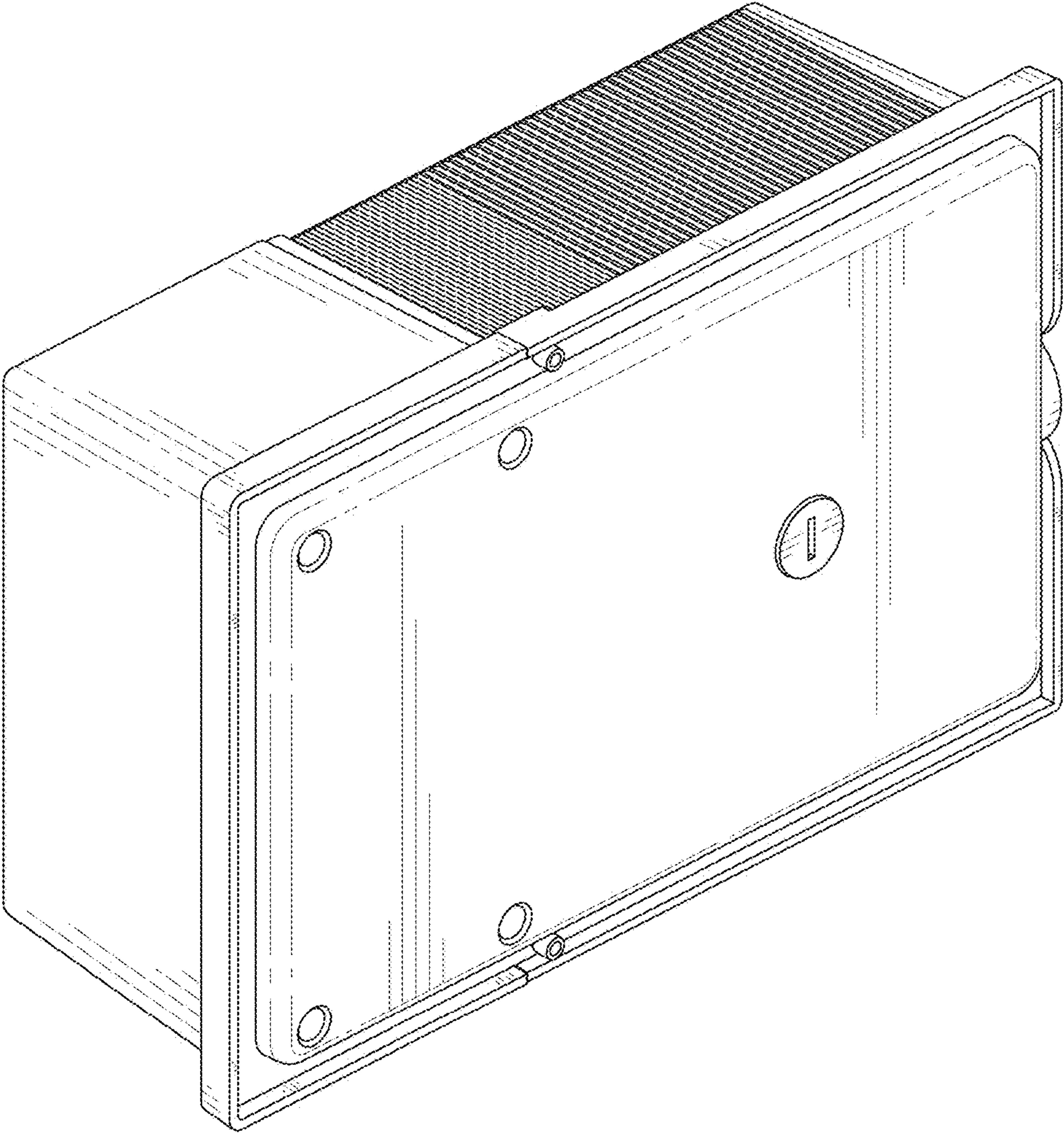


FIG. 8