

US00D836231S

(12) **United States Design Patent** (10) **Patent No.:** **US D836,231 S**
Swai et al. (45) **Date of Patent:** **** Dec. 18, 2018**

(54) **LIGHTING FIXTURE**
(71) Applicant: **PHILIPS LIGHTING HOLDING B.V.**, Eindhoven (NL)
(72) Inventors: **Peter Swai**, Wakefield, MA (US); **Zachary Robert Wessner**, Salem, NH (US); **Stephen Walker Lee**, Londonderry, NH (US); **Timothy Joseph Jordan**, Lexington, MA (US); **Benjamin Daniel Sweet-Block**, Arlington, MA (US)

(73) Assignee: **PHILIPS LIGHTING HOLDING B.V.**, Eindhoven (NL)

(**) Term: **15 Years**

(21) Appl. No.: **29/603,266**

(22) Filed: **May 8, 2017**

(51) **LOC (11) Cl.** **26-03**

(52) **U.S. Cl.**
USPC **D26/63**

(58) **Field of Classification Search**
USPC D26/60-66, 72, 85, 87, 92, 86, 102
CPC . F21K 9/00; F21V 5/007; F21V 7/005; F21V 7/0083; F21V 11/04; F21V 15/01; F21V 19/001; F21V 21/002; F21V 21/06; F21V 21/0885; F21V 21/145; F21V 21/30; F21V 33/0024

See application file for complete search history.

(56) **References Cited**

U.S. PATENT DOCUMENTS

D570,024 S * 5/2008 Guercio D26/63
D573,285 S * 7/2008 Zettl D26/63

D573,286 S * 7/2008 Zettl D26/63
D581,569 S * 11/2008 Levine D26/61
D606,691 S * 12/2009 Lindholm D26/63
D625,870 S * 10/2010 Feigenbaum D26/63
D650,505 S * 12/2011 Oka D26/63
D666,346 S * 8/2012 Gebhard D14/371
D674,949 S * 1/2013 Georgitsis F21V 21/14
D26/63
D785,220 S * 4/2017 Swai D26/63

* cited by examiner

Primary Examiner — Brian N. Vinson

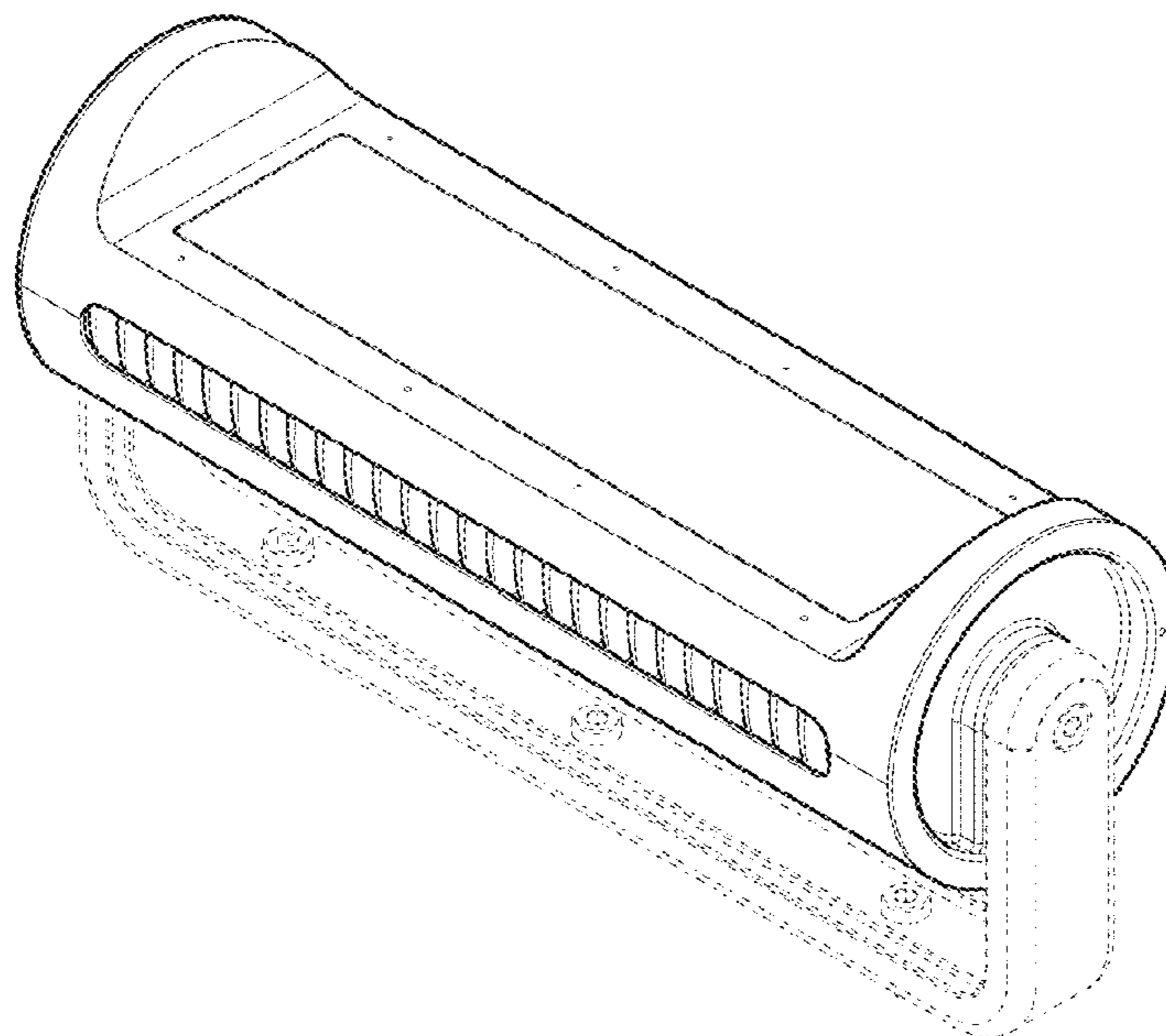
(57) **CLAIM**

The ornamental design of a lighting fixture, as shown and described.

DESCRIPTION

FIG. 1 illustrates a perspective view of a lighting fixture in accordance with my new design;
FIG. 2 illustrates a left side elevation view of the lighting fixture;
FIG. 3 illustrates a right side elevation view of the lighting fixture;
FIGS. 4 and 5 illustrates a front and a rear view of the lighting fixture;
FIG. 6 illustrates a top view of the lighting fixture; and,
FIG. 7 illustrates a bottom view of the lighting fixture.
The dash-dot-dash broken lines shown represent the bounds of the claim and forms no part thereof and the dashed broken lines shown therein illustrate portions of the lighting fixture that form no part of the claimed design.

1 Claim, 5 Drawing Sheets



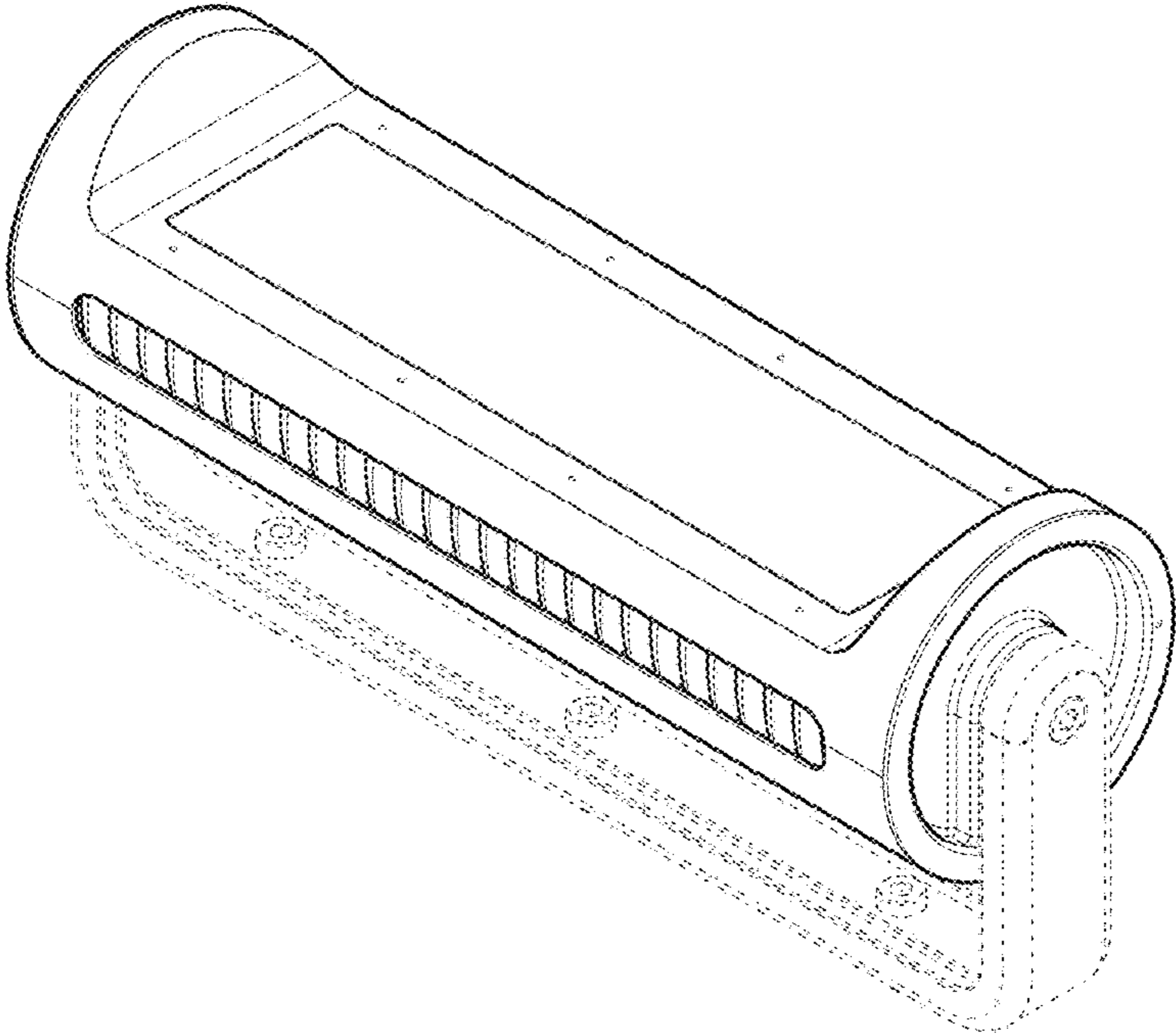


FIG. 1

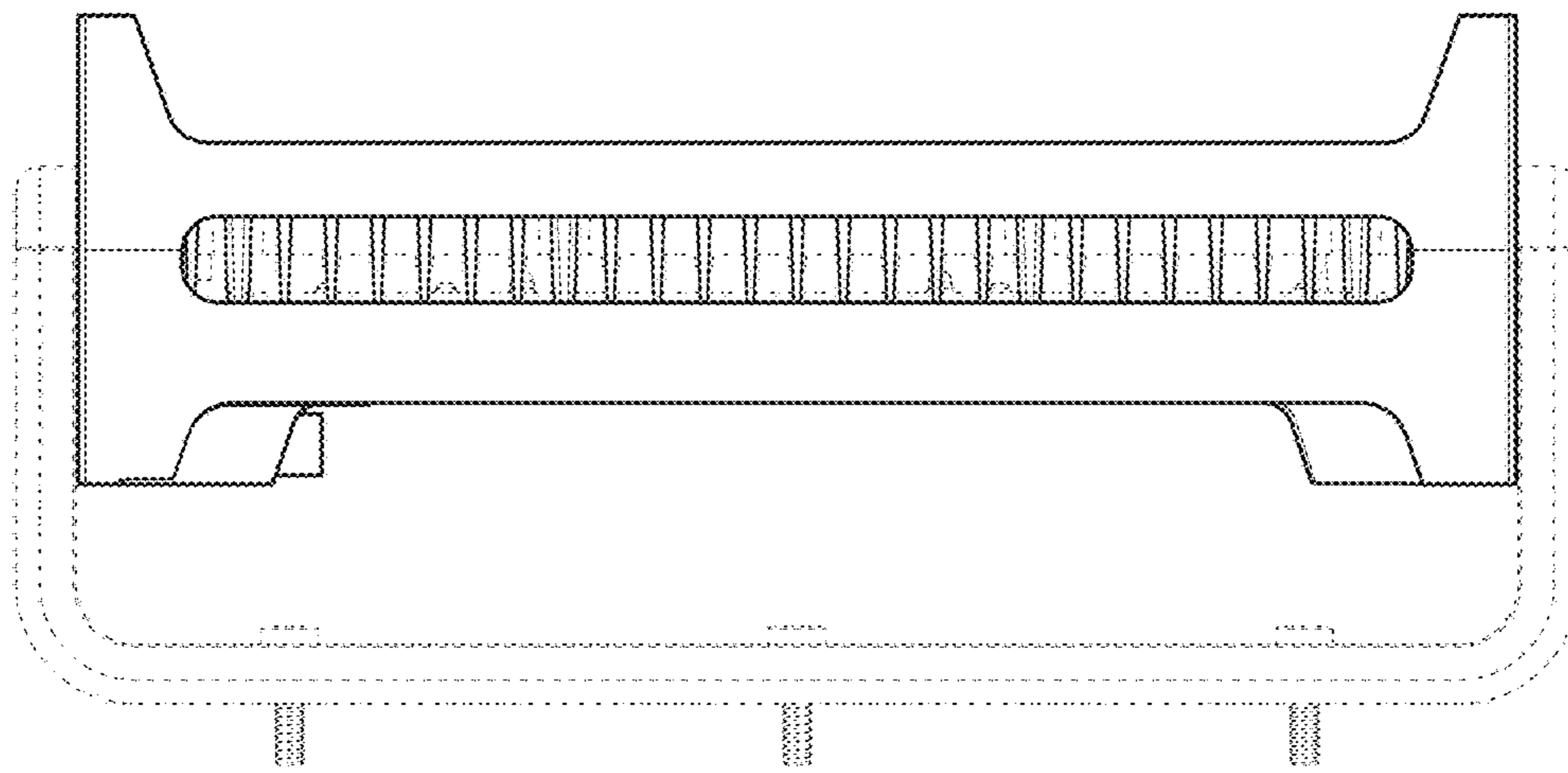


FIG. 2

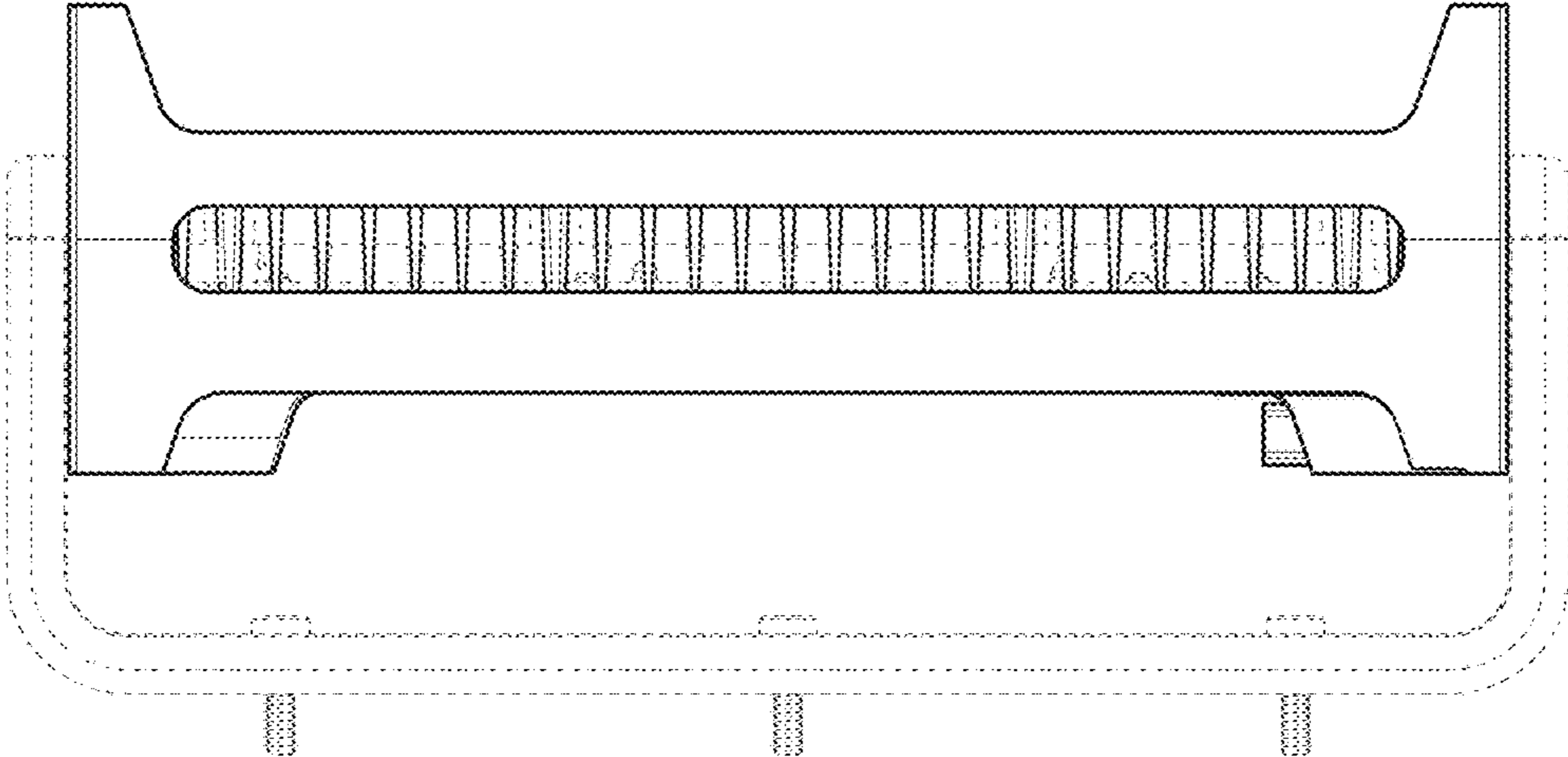


FIG. 3

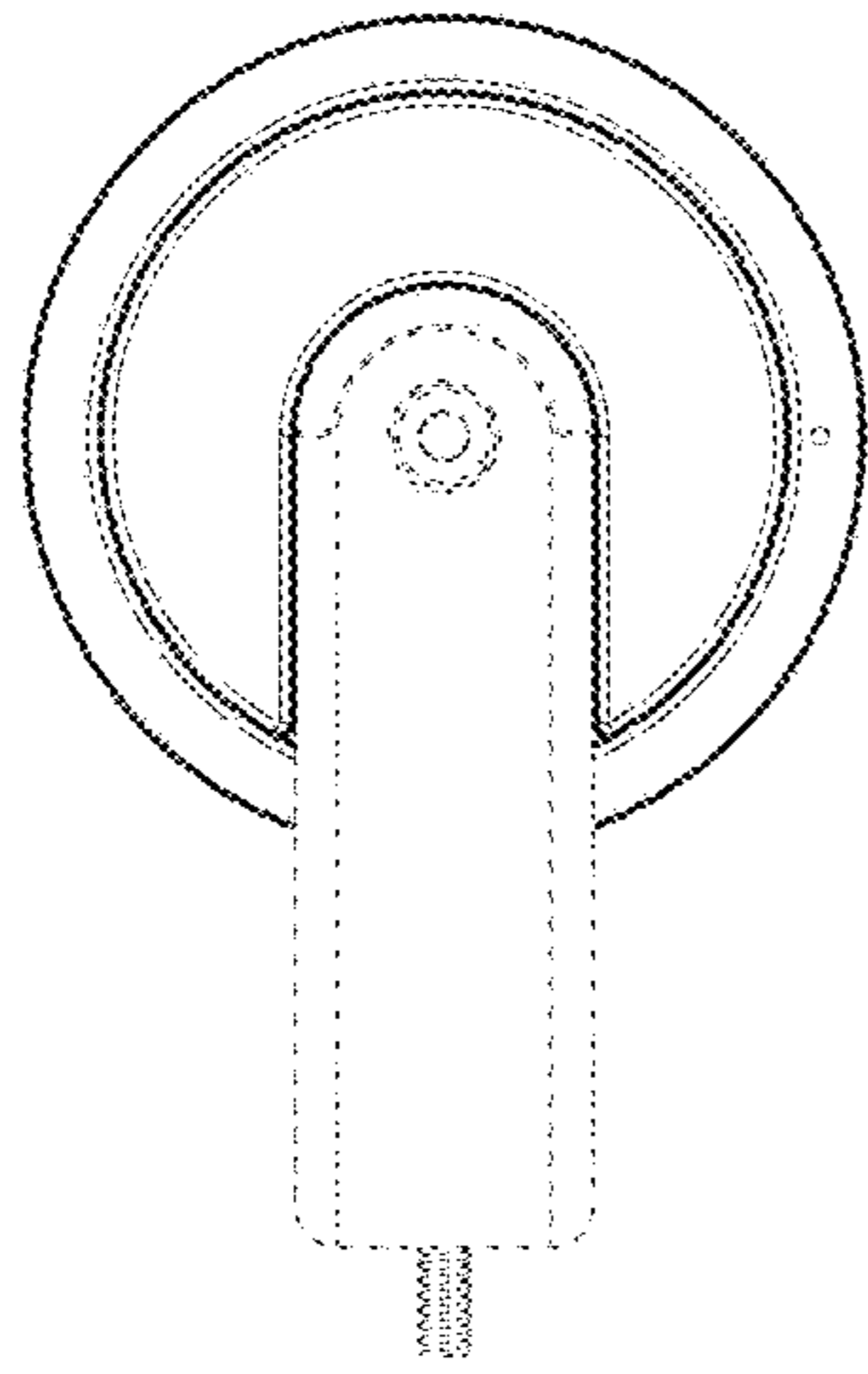


FIG. 4

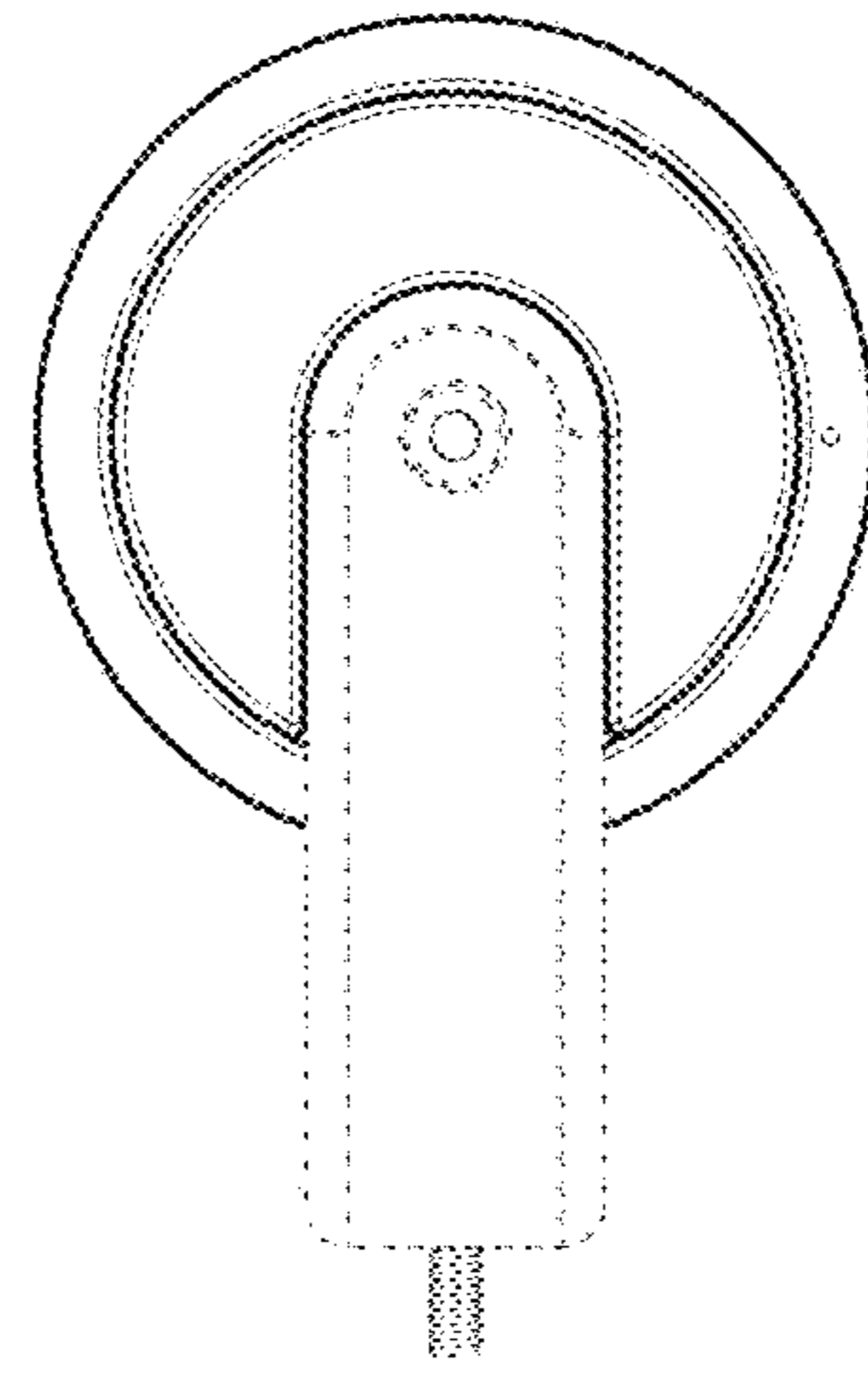


FIG. 5

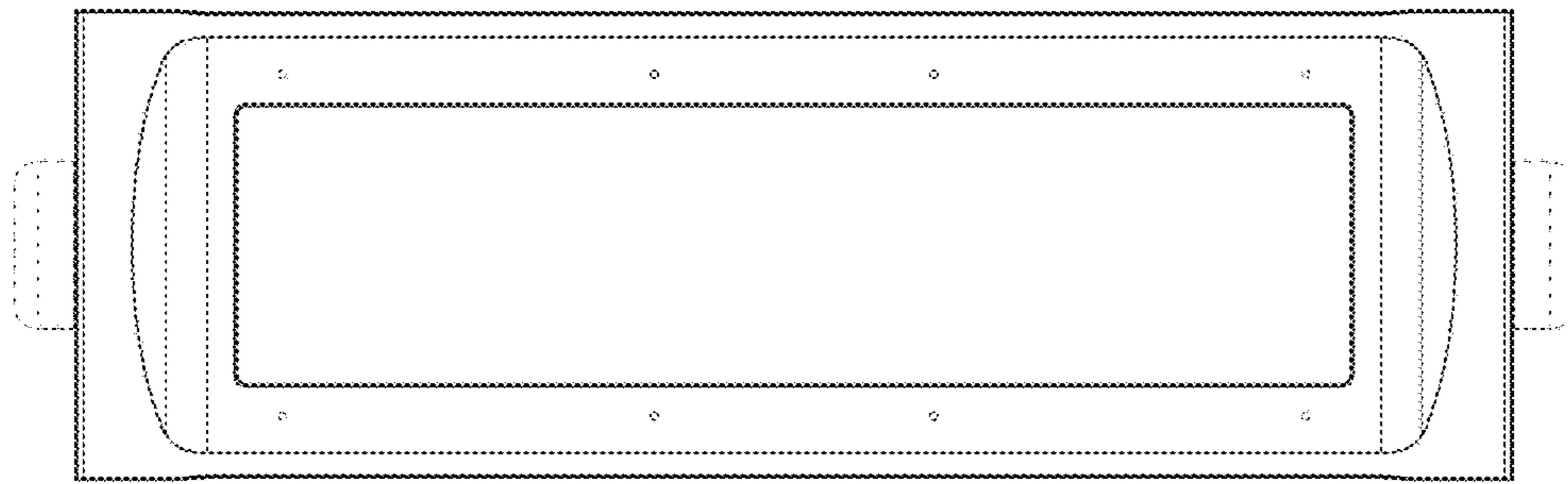


FIG. 6

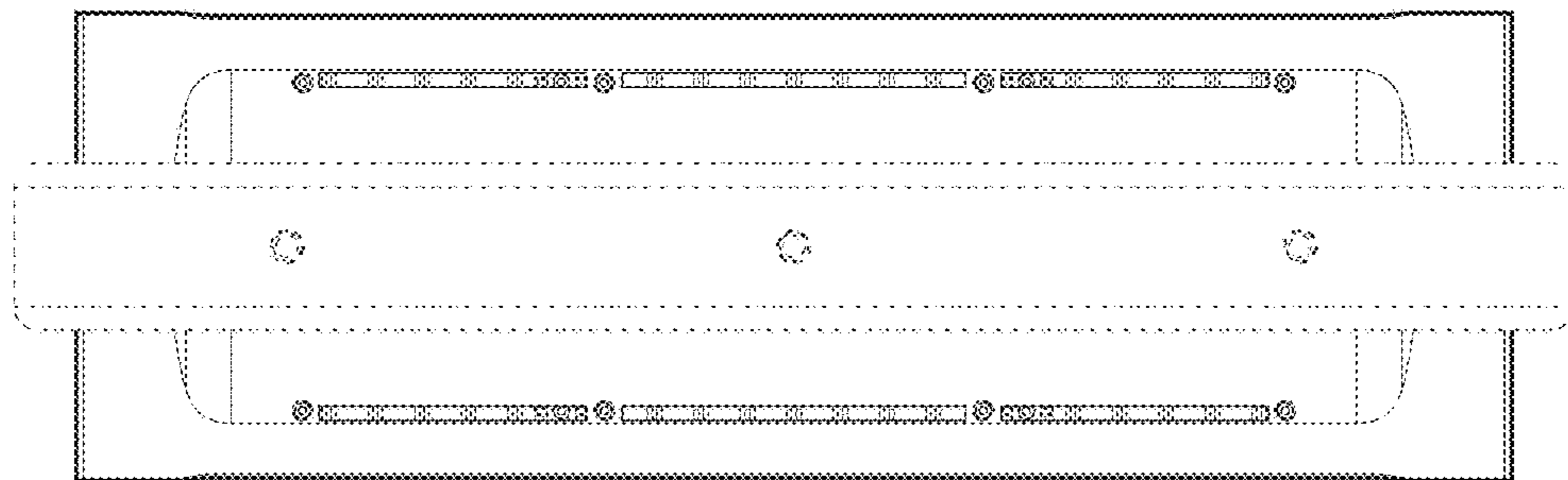


FIG. 7