

US00D836230S

(12) **United States Design Patent** (10) **Patent No.:** **US D836,230 S**
Guercio et al. (45) **Date of Patent:** **** Dec. 18, 2018**

(54) **FLOOD LIGHT WITH LED ARRAY**
(71) Applicant: **RAB Lighting Inc.**, Northvale, NJ (US)
(72) Inventors: **Vincenzo Guercio**, Wallkill, NY (US);
Jiang Hu, Ningbo (CN)

D566,318 S 4/2008 Quiogue et al.
D574,102 S 7/2008 Quiogue et al.
D643,147 S 8/2011 Guercio et al.
D672,908 S * 12/2012 Wilcox F21V 19/0055
D26/118
D679,856 S 4/2013 Guercio et al.
(Continued)

(73) Assignee: **RAB Lighting Inc.**, Northvale, NJ (US)

FOREIGN PATENT DOCUMENTS

(**) Term: **15 Years**

TW 213375 9/1993
TW 536358 10/2001

(21) Appl. No.: **29/598,921**

(Continued)

(22) Filed: **Mar. 29, 2017**

OTHER PUBLICATIONS

(51) **LOC (11) Cl.** **26-03**

U.S. Appl. No. 15/137,642, filed Oct. 27, 2016, Guercio et al.
(Continued)

(52) **U.S. Cl.**
USPC **D26/63**

(58) **Field of Classification Search**
USPC D26/1, 24, 61, 63, 65, 85, 92, 104, 118
CPC F21V 21/14; F21V 15/01; F21V 14/02;
F21V 21/30; F21V 21/00; F21V 14/00;
F21S 8/00; F21S 8/003; F21S 8/043;
F21Y 2105/001

Primary Examiner — Brian N. Vinson
(74) *Attorney, Agent, or Firm* — SmithAmundsen LLC;
Douglas G. Gallagher; Kevin C. Oschman

See application file for complete search history.

(57) **CLAIM**

The ornamental design for an flood light with LED array,
substantially as shown and described.

(56) **References Cited**

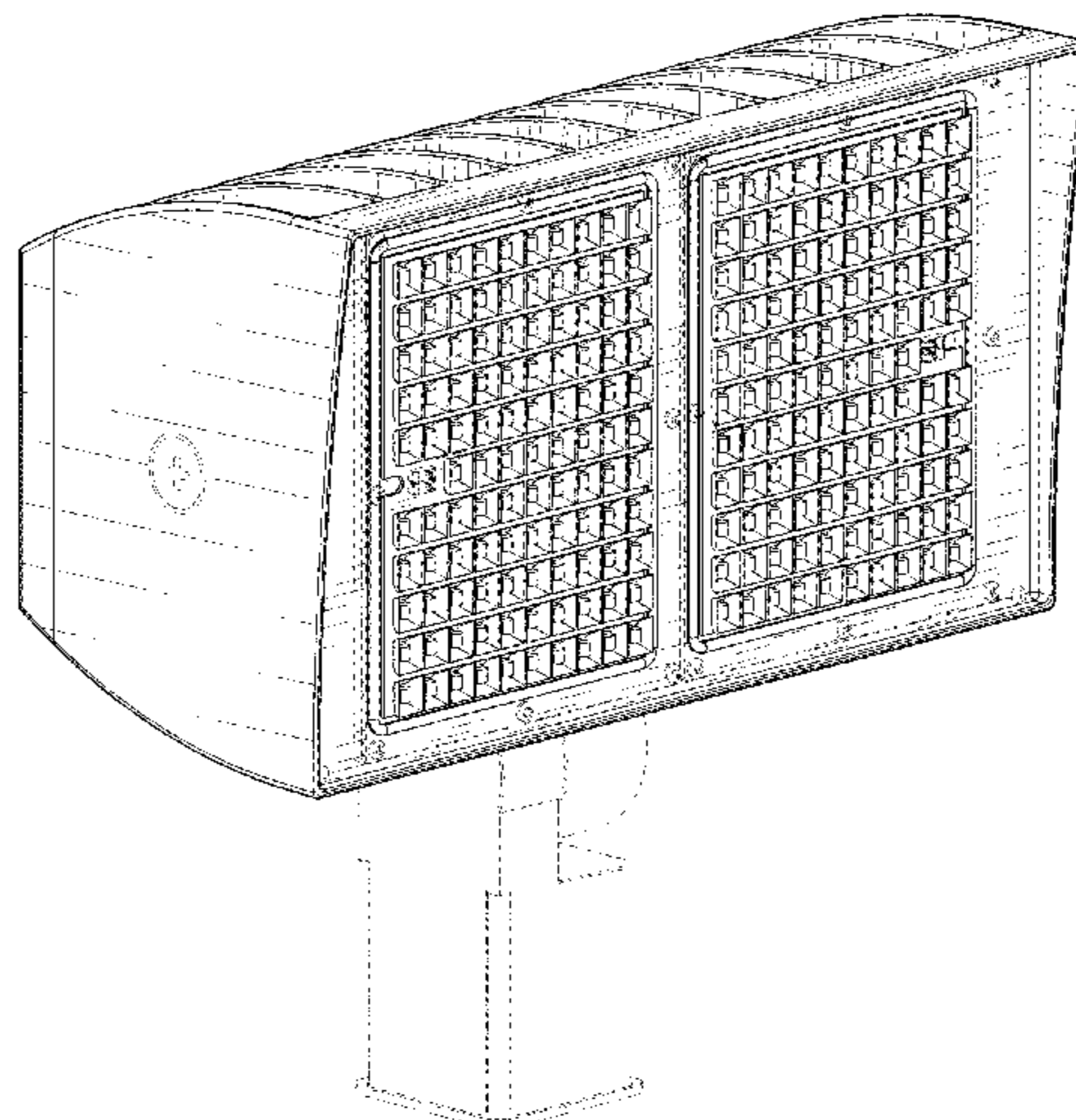
DESCRIPTION

U.S. PATENT DOCUMENTS

D239,315 S * 3/1976 Satob et al. D26/104
D241,671 S 9/1976 D'Ercoli et al.
D295,791 S 5/1988 Strandberg
D319,891 S 9/1991 Giese
D360,962 S 8/1995 Cornell et al.
D407,836 S 4/1999 Leen
D420,458 S 2/2000 Guercio
D545,471 S 6/2007 Guercio
D545,472 S 6/2007 Guercio
D545,987 S 7/2007 Guercio
D550,387 S 9/2007 Guercio
D550,392 S 9/2007 Guercio
D552,282 S 10/2007 Guercio
D552,283 S 10/2007 Guercio
D565,223 S 3/2008 Guercio

FIG. 1 is a front-right perspective view of the new design;
FIG. 2 is a rear-left perspective view of the new design;
FIG. 3 is a front view of the new design;
FIG. 4 is a rear view of the new design;
FIG. 5 is a top view of the new design;
FIG. 6 is a bottom view of the new design;
FIG. 7 is a right view of the new design; and,
FIG. 8 is a left view of the new design.
The broken line disclosure in the views represents portions
of the flood light with LED array which forms no part of the
claimed design.

1 Claim, 7 Drawing Sheets



(56)

References Cited

U.S. PATENT DOCUMENTS

D695,435 S * 12/2013 Pedersen D26/63
D711,030 S * 8/2014 Zhan D26/65
D761,989 S * 7/2016 Dickinson D26/63
D774,675 S * 12/2016 Hong D26/63
D799,094 S * 10/2017 Li D26/63

FOREIGN PATENT DOCUMENTS

TW D121170 1/2008
TW D121172 1/2008

OTHER PUBLICATIONS

RAB Lighting Inc.; 1995 RAB Catalog; Outdoor Lighting, Quartz Floodlights.

RAB Lighting Inc.; 2003 RAB Catalog; Quartz Floods.

RAB Lighting Inc.; 2015 LED Catalog; Floodlights.

* cited by examiner

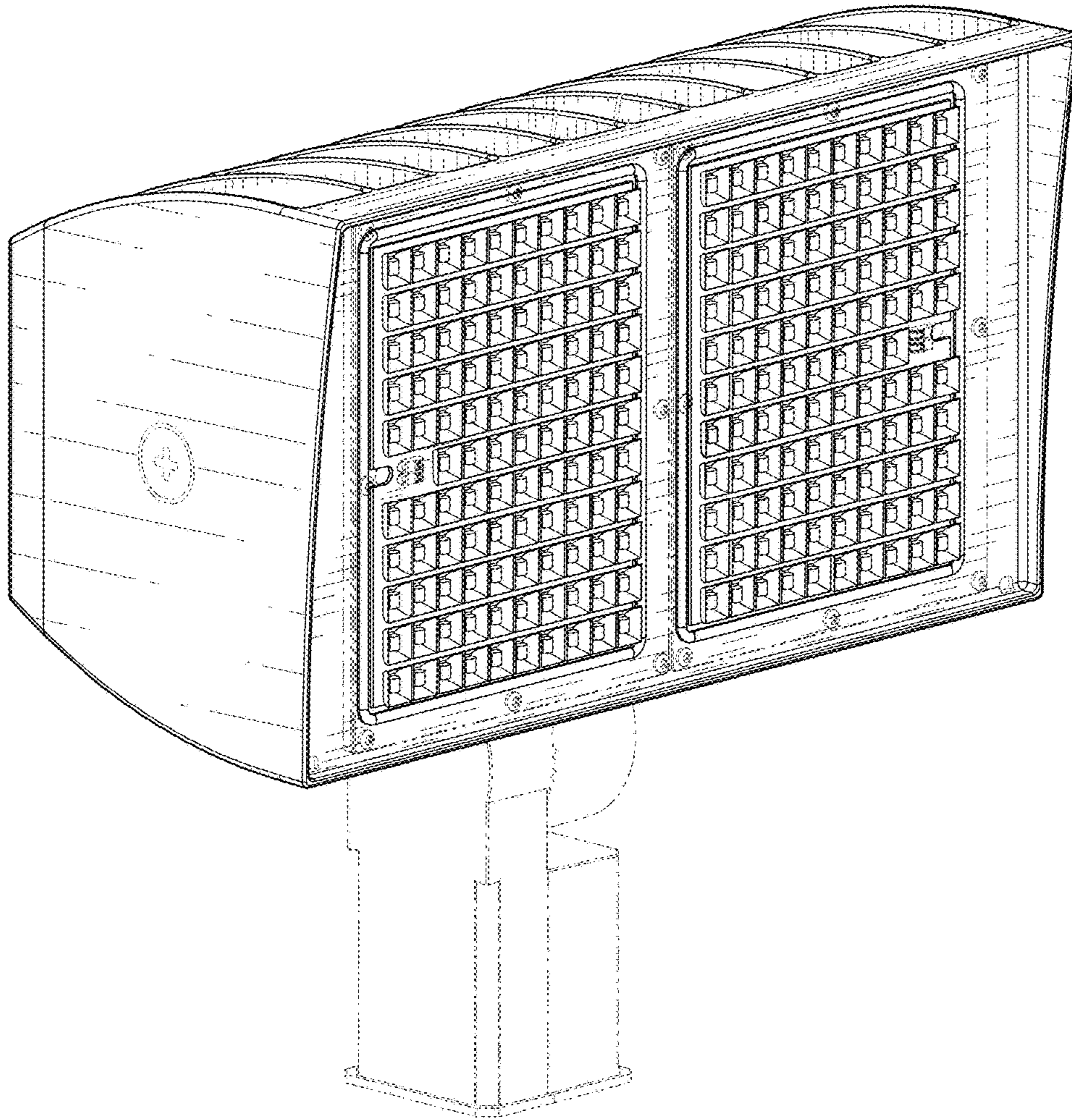


Fig. 1

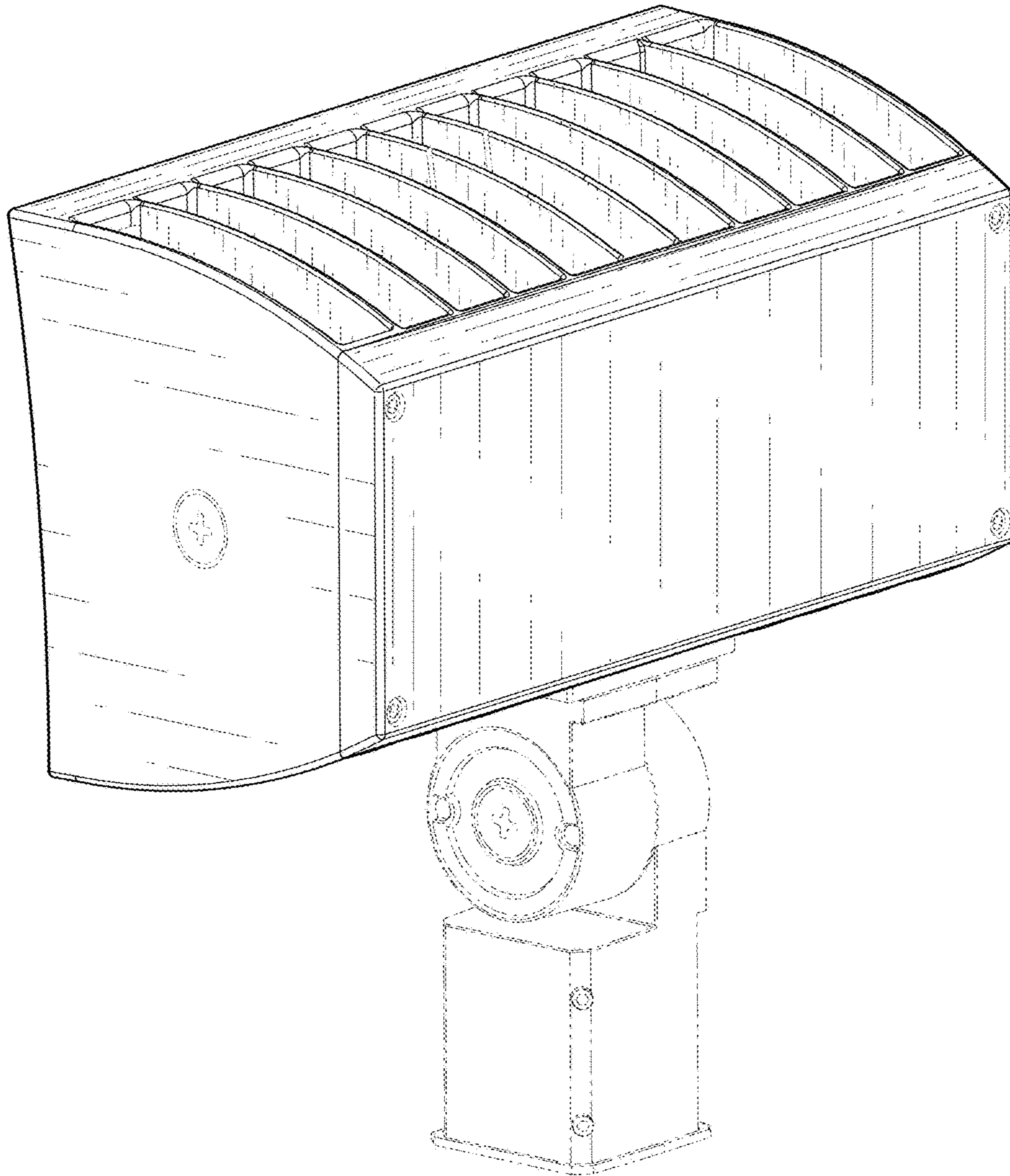


Fig. 2

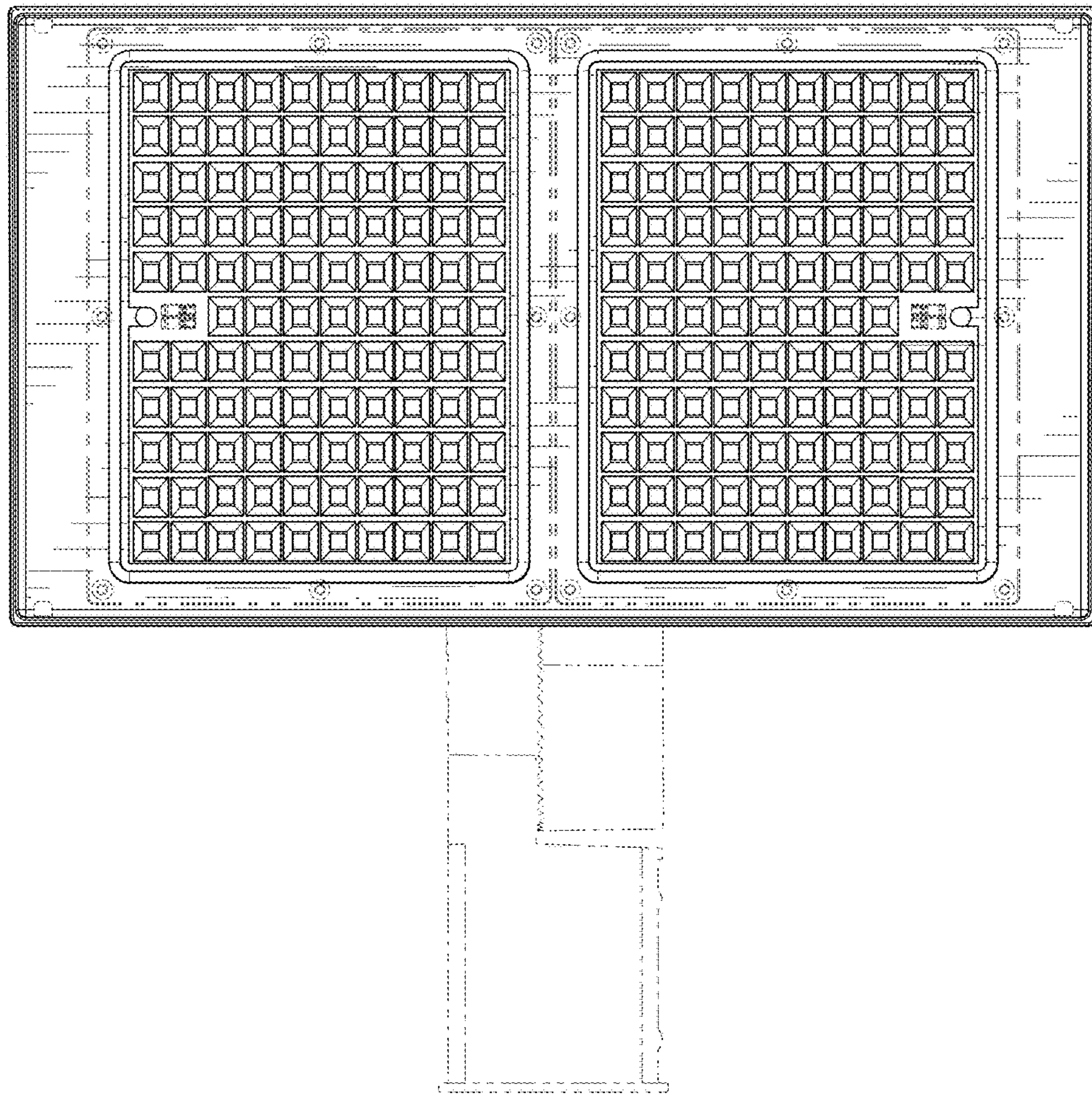


Fig. 3

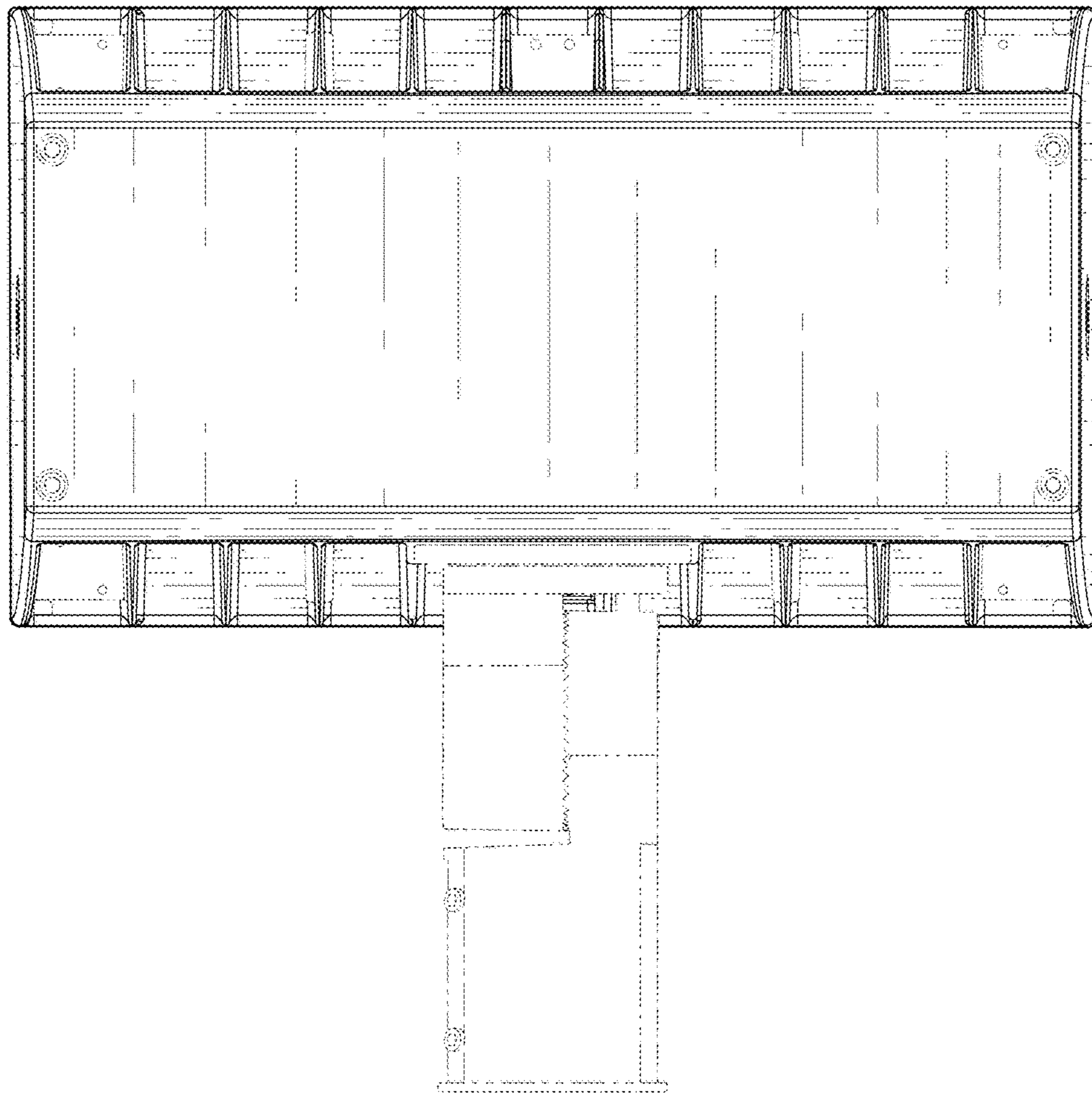


Fig. 4

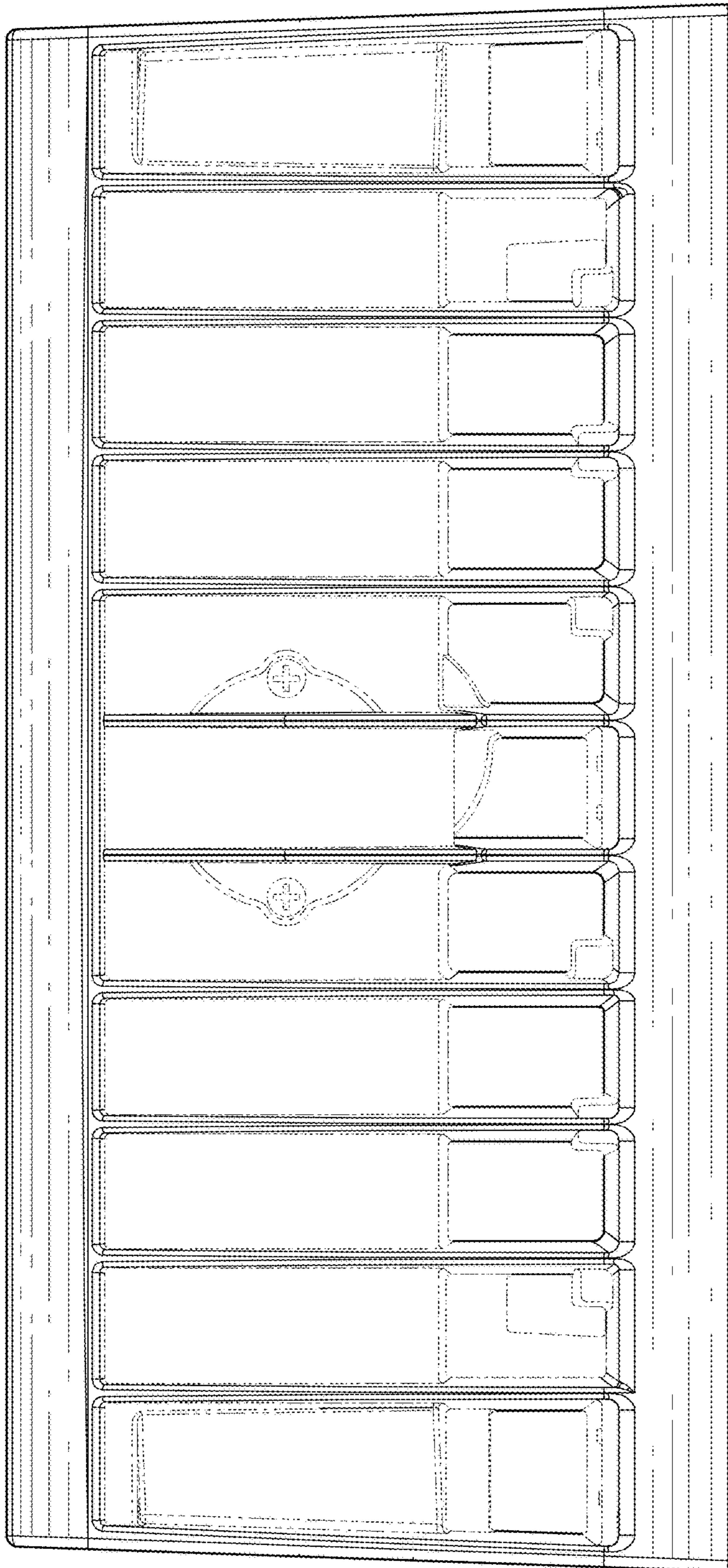


Fig. 5

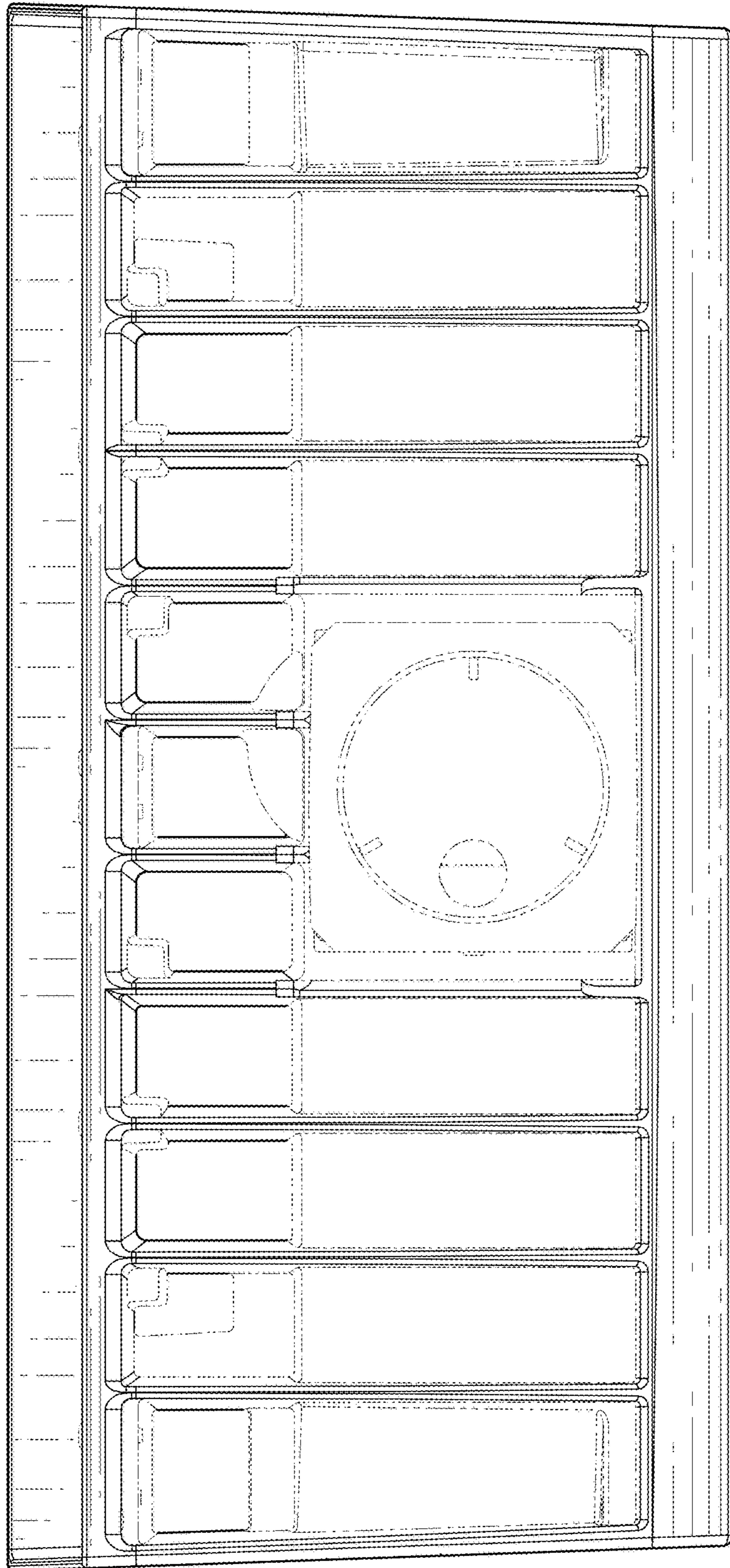


Fig. 6

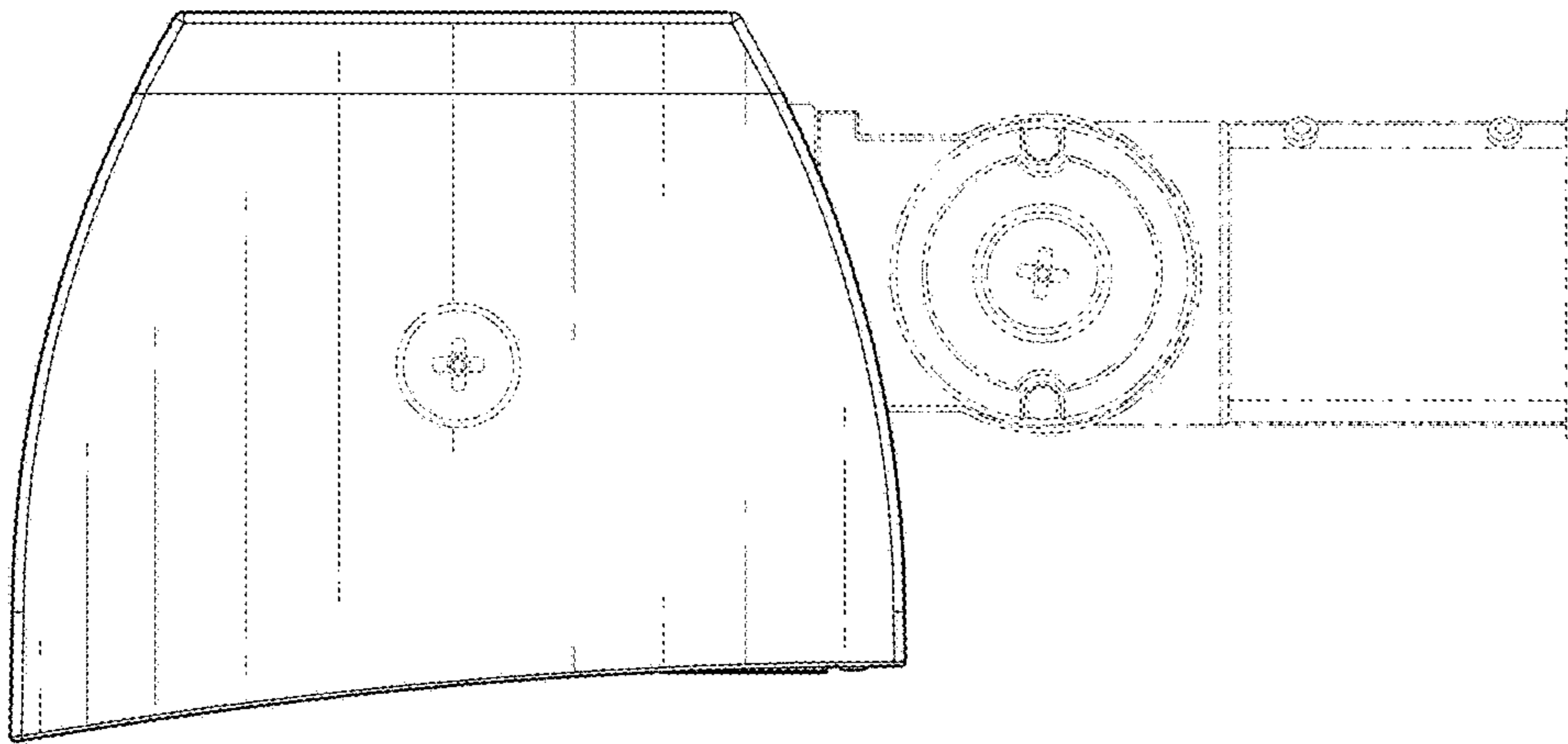


Fig. 8

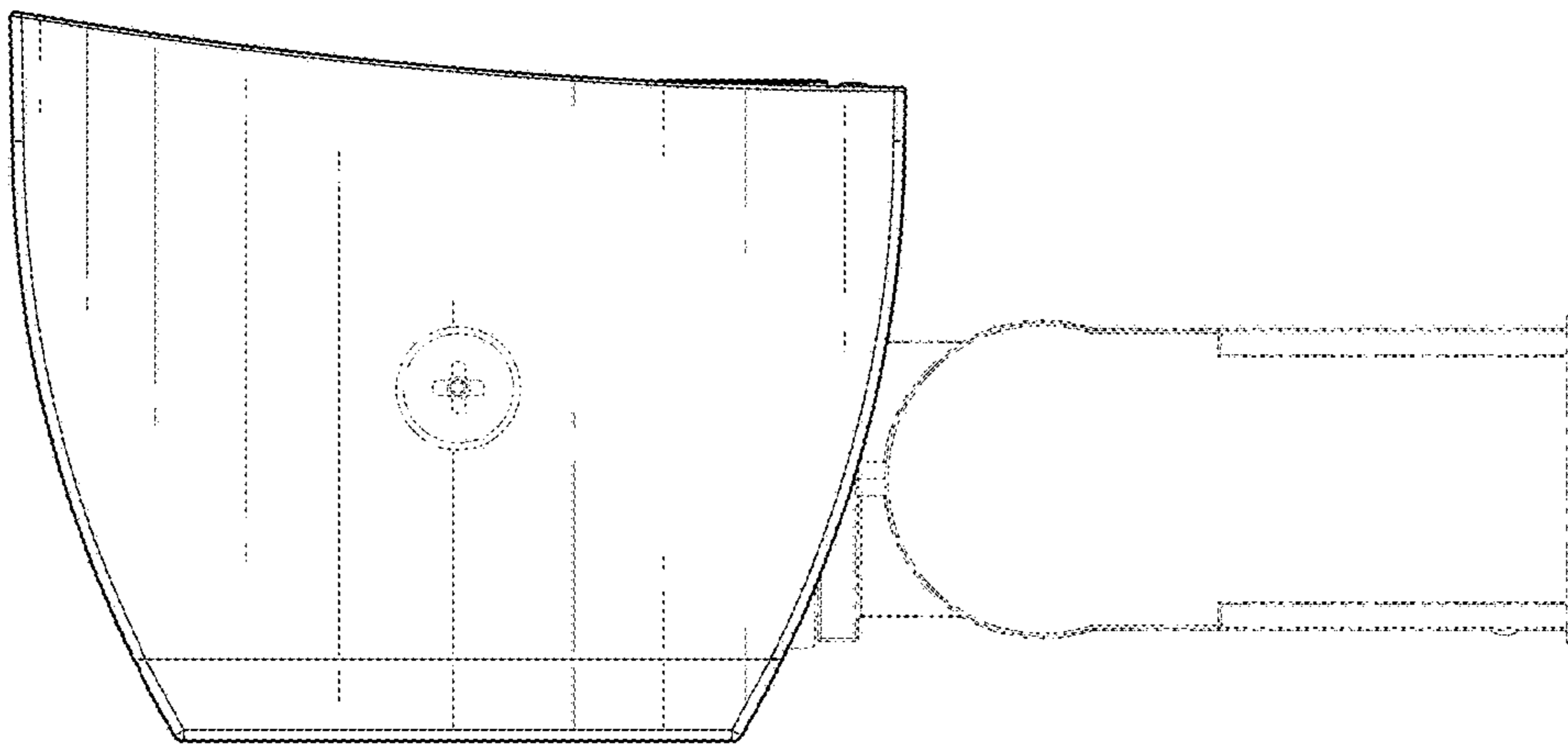


Fig. 7