



US00D836228S

(12) **United States Design Patent** (10) **Patent No.:** **US D836,228 S**
Kunzendorf (45) **Date of Patent:** **** Dec. 18, 2018**

(54) **HEADLAMP**
(71) Applicant: **LED Lenser Corp. Ltd., Yangjiang (CN)**
(72) Inventor: **Andre Kunzendorf, Wuppertal (DE)**
(73) Assignee: **Led Lenser Corp. Ltd., Yangjiang (CN)**

(**) Term: **15 Years**
(21) Appl. No.: **29/569,262**
(22) Filed: **Jun. 24, 2016**
(51) **LOC (11) Cl.** **26-02**
(52) **U.S. Cl.**
USPC **D26/39**
(58) **Field of Classification Search**
USPC D26/37-51
CPC F21L 2003/00; F21L 4/00; F21L 4/005;
F21L 4/02; F21L 4/025; F21L 4/027;
F21L 4/04; F21L 4/08; F21L 2005/00;
F21L 7/00; F21L 11/00; F21L 13/00;
F21L 13/04; F21L 13/08; F21L 14/02;
F21L 17/00; F21L 19/00
See application file for complete search history.

(56) **References Cited**
U.S. PATENT DOCUMENTS
D362,920 S * 10/1995 Schwartz D26/39
D405,202 S * 2/1999 Fattori D26/39

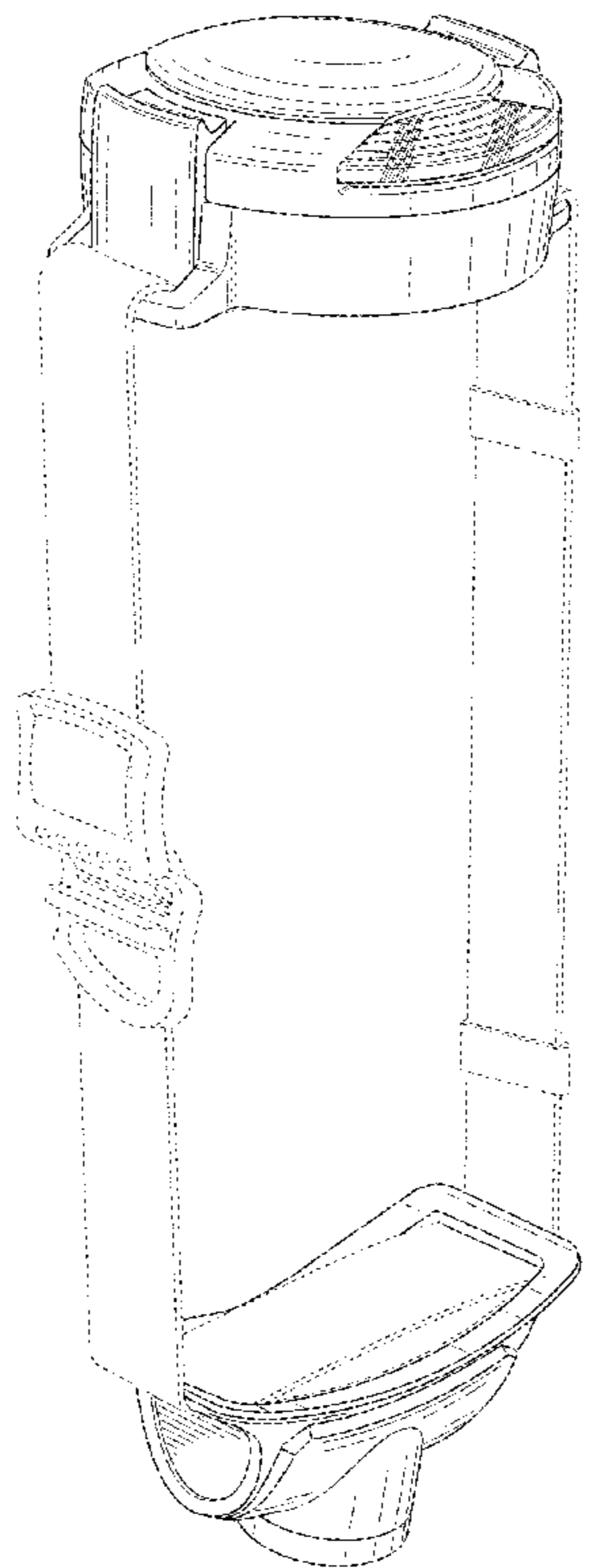
D525,734 S * 7/2006 Shiao D26/39
D529,213 S * 9/2006 Shiu D26/39
D531,335 S * 10/2006 Garrity D26/39
D533,954 S * 12/2006 Opolka D26/39
D534,289 S * 12/2006 Shiu D26/39
D536,115 S * 1/2007 Shiu D26/39
D625,863 S * 10/2010 Kingston D26/39
D703,850 S * 4/2014 Alvarado D26/39
D743,598 S * 11/2015 Inskeep D26/39

* cited by examiner
Primary Examiner — Lakiya G Rogers
Assistant Examiner — Carissa C Fitts
(74) *Attorney, Agent, or Firm* — Alston & Bird LLP

(57) **CLAIM**
The ornamental design for a headlamp, as shown and described.

DESCRIPTION
FIG. 1 is a perspective view of a headlamp according to my new design;
FIG. 2 is a top elevation view thereof;
FIG. 3 is a bottom plan view thereof;
FIG. 4 is a left side elevation view thereof;
FIG. 5 is a right side elevation view thereof;
FIG. 6 is a back elevation view thereof; and,
FIG. 7 is a front elevation view thereof.
The dash-dash broken lines showing in the views illustrate portions of the headlamp that form no part of the claimed design.

1 Claim, 5 Drawing Sheets



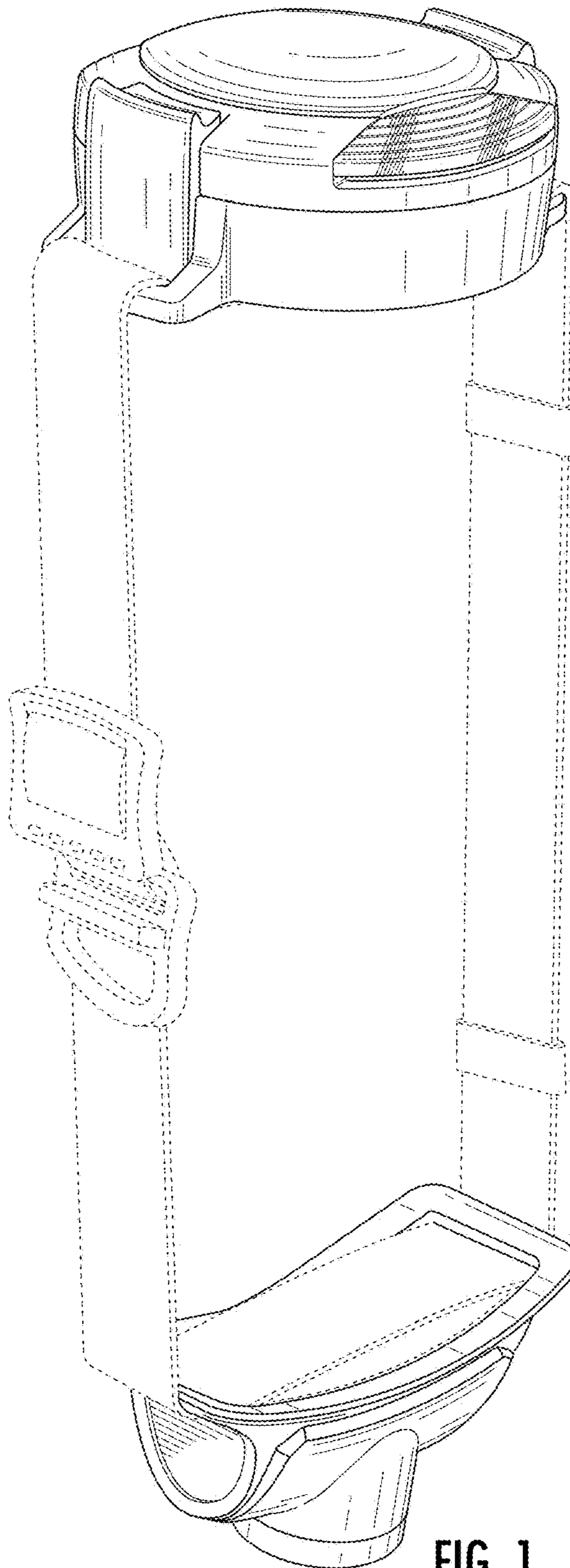


FIG. 1

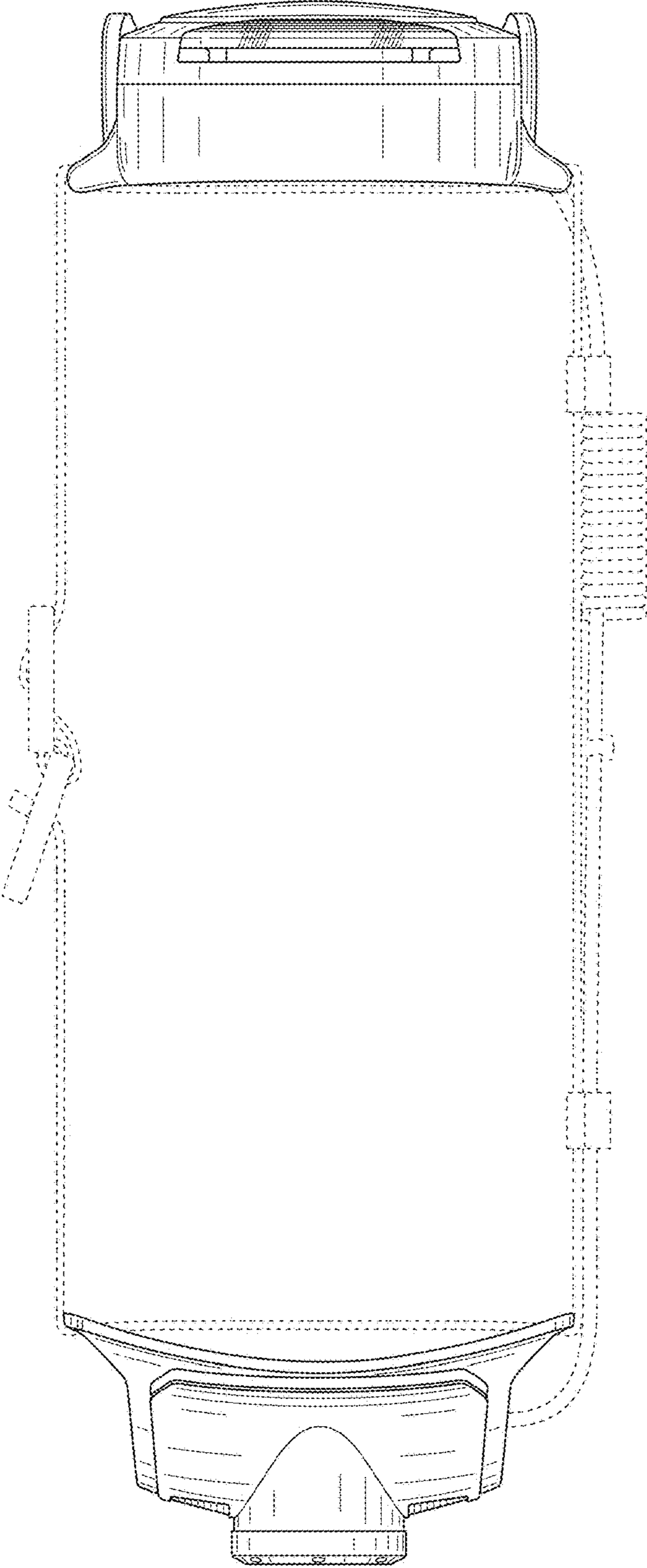


FIG. 2

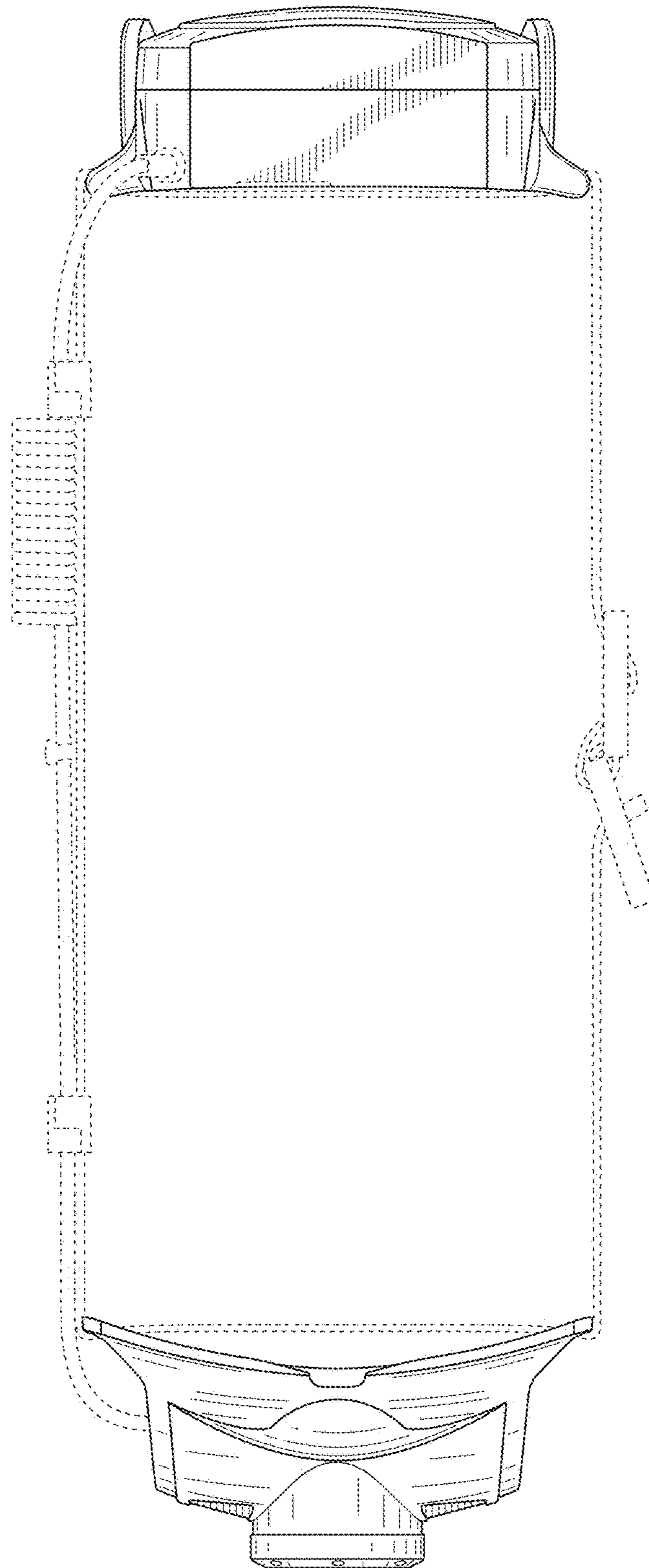


FIG. 3

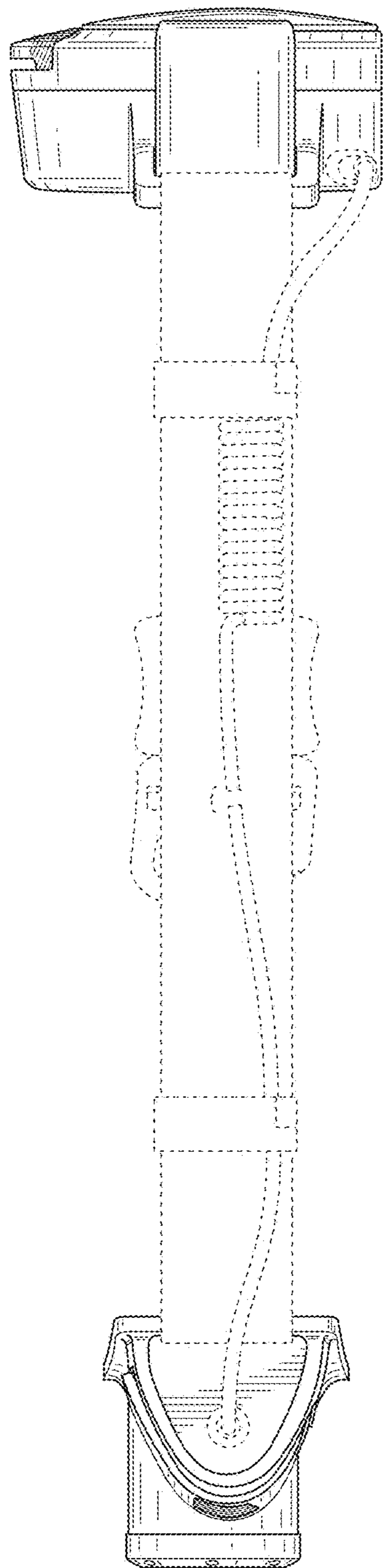


FIG. 4

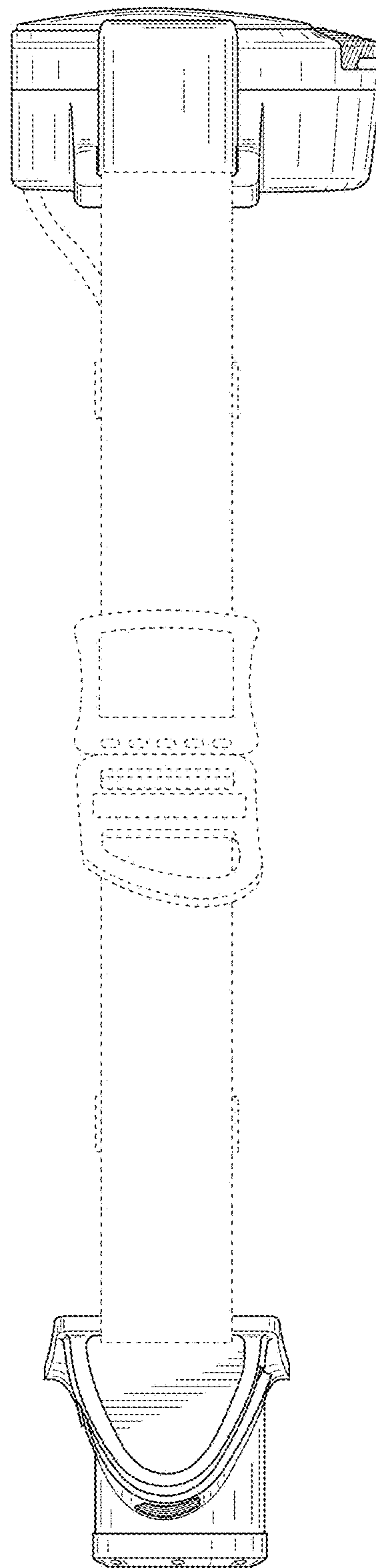


FIG. 5

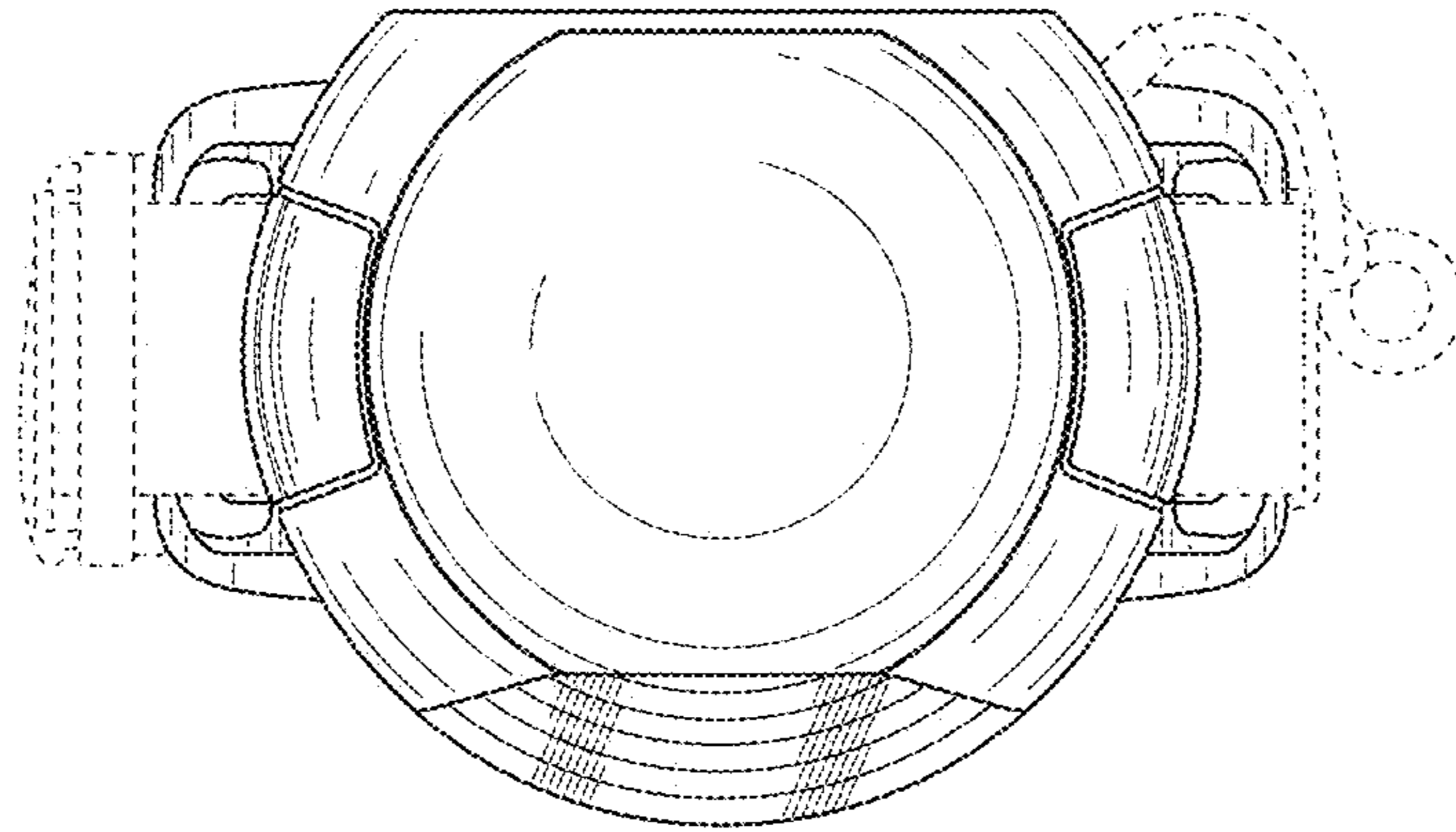


FIG. 6

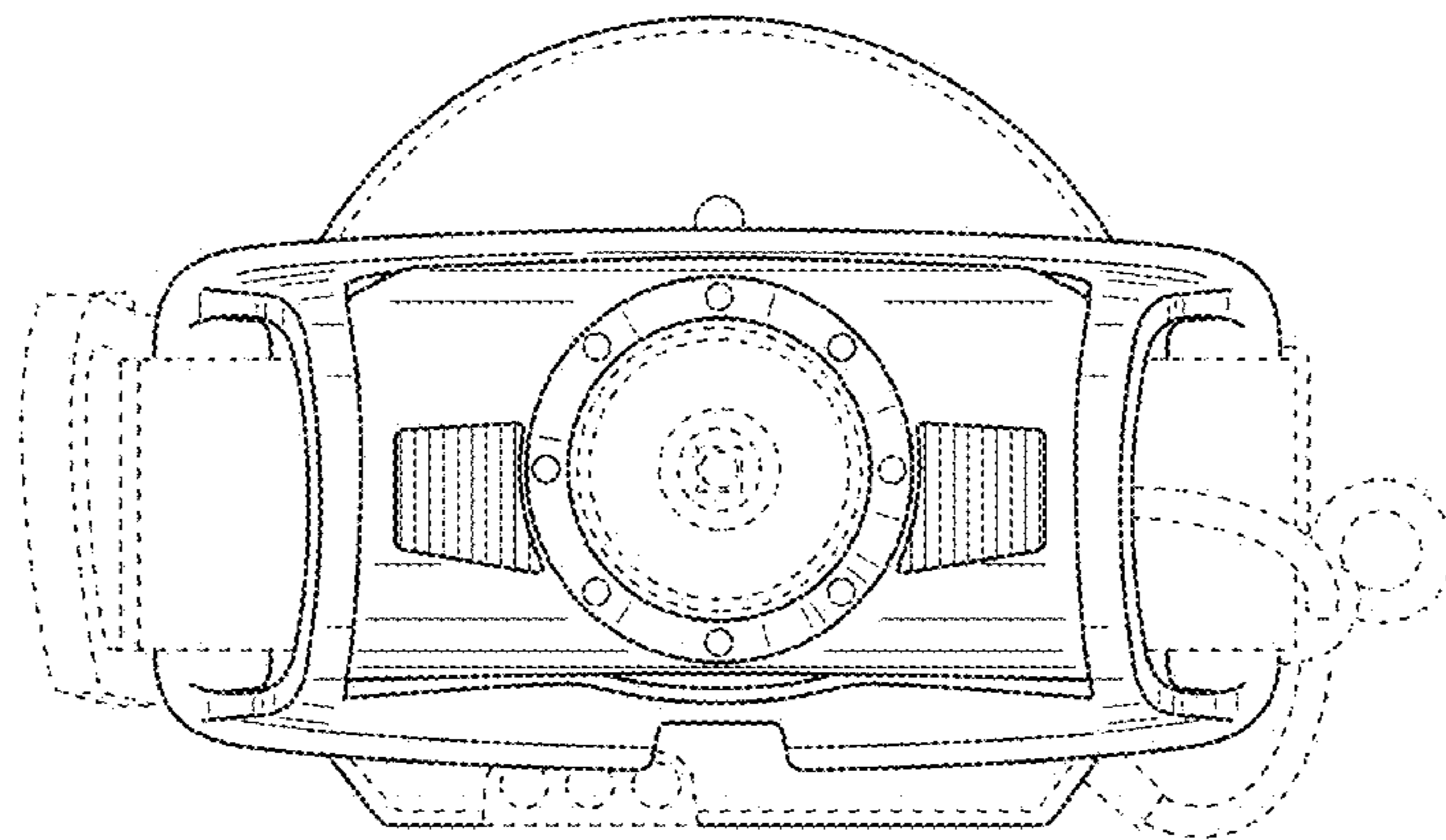


FIG. 7