



US00D836225S

(12) **United States Design Patent**  
**Finch**

(10) **Patent No.:** **US D836,225 S**

(45) **Date of Patent:** **\*\* Dec. 18, 2018**

(54) **ILLUMINATION DEVICE**

(71) Applicant: **Brightz, Ltd.**, Ottawa Lake, MI (US)

(72) Inventor: **Ronald Finch**, Ottawa Lake, MI (US)

(73) Assignee: **Brightz, Ltd.**, Ottawa Lake, MI (US)

(\*\*) Term: **15 Years**

(21) Appl. No.: **29/597,902**

(22) Filed: **Mar. 21, 2017**

(51) **LOC (11) Cl.** ..... **26-03**

(52) **U.S. Cl.**  
USPC ..... **D26/28; D26/60**

(58) **Field of Classification Search**

USPC ..... D26/24, 28, 60-63  
CPC .... B62J 6/001; B62J 6/02; B62J 6/003; F21S  
4/00; F21V 21/00; A63B 71/0686  
See application file for complete search history.

(56) **References Cited**

**U.S. PATENT DOCUMENTS**

D526,079 S \* 8/2006 Heun ..... D26/60  
D608,485 S \* 1/2010 Liao ..... D26/60  
D678,562 S \* 3/2013 Chan ..... D26/28

D679,040 S \* 3/2013 Cen ..... D26/28  
D697,244 S \* 1/2014 McKechnie ..... D26/60  
8,752,974 B2 \* 6/2014 Leibowitz ..... A63B 71/0686  
362/103  
D795,477 S \* 8/2017 Fissell ..... D26/60  
D814,677 S \* 4/2018 Sukphisit ..... D26/60

\* cited by examiner

*Primary Examiner* — Brian N. Vinson

(74) *Attorney, Agent, or Firm* — Kegler, Brown, Hill & Ritter Co., LPA; Lorraine Hernandez

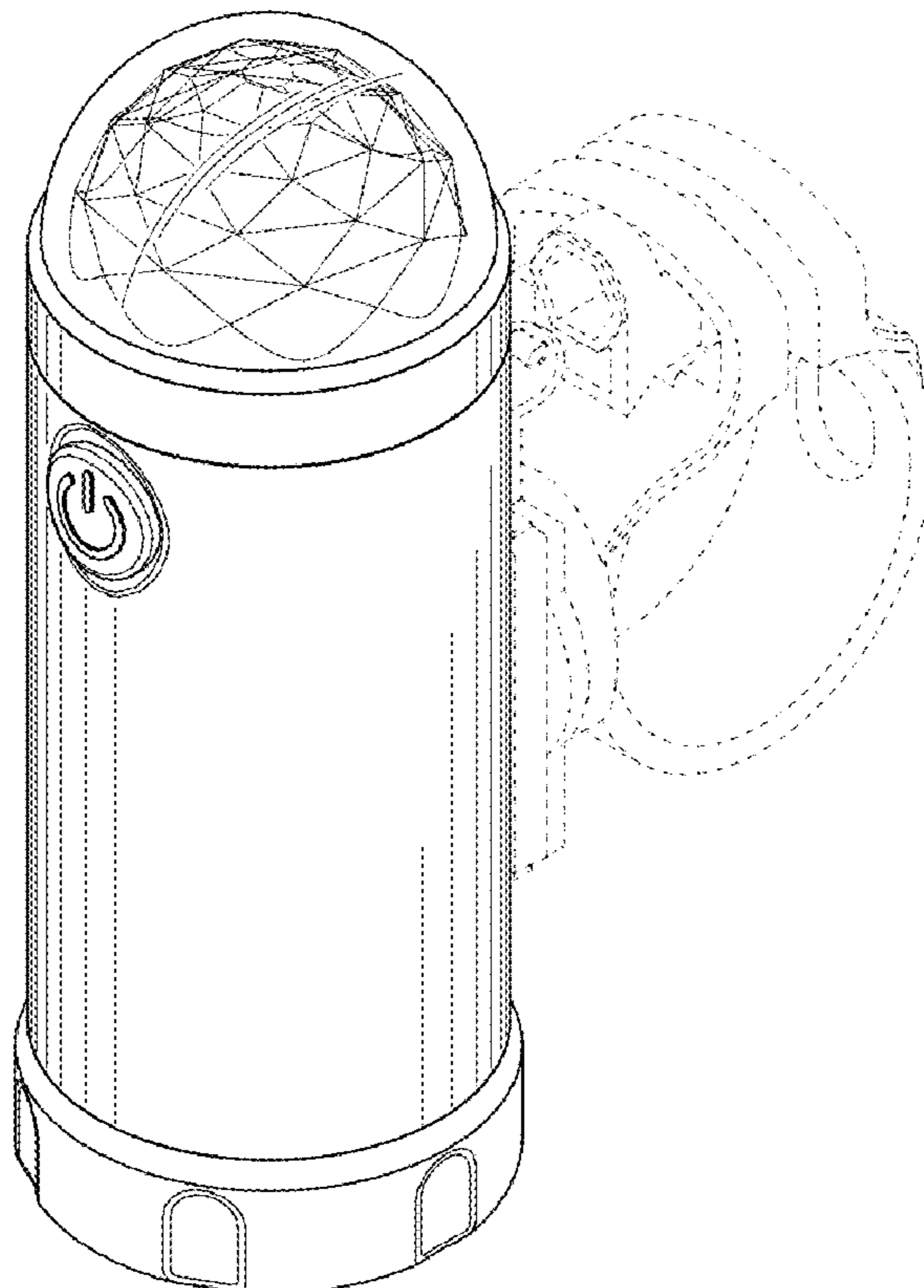
(57) **CLAIM**

The ornamental design for an illumination device, substantially as shown and described.

**DESCRIPTION**

FIG. 1 is an isometric view of an illumination device; FIG. 2 is a front view of an illumination device; FIG. 3 is a back view of an illumination device; FIG. 4 is a side view of an illumination device; FIG. 5 is a side view of an illumination device; FIG. 6 is a top view of an illumination device; and, FIG. 7 is a bottom view of an illumination device. The broken lines showing a portion of an illumination device are for illustrative purposes only and form no part of the claimed design.

**1 Claim, 4 Drawing Sheets**



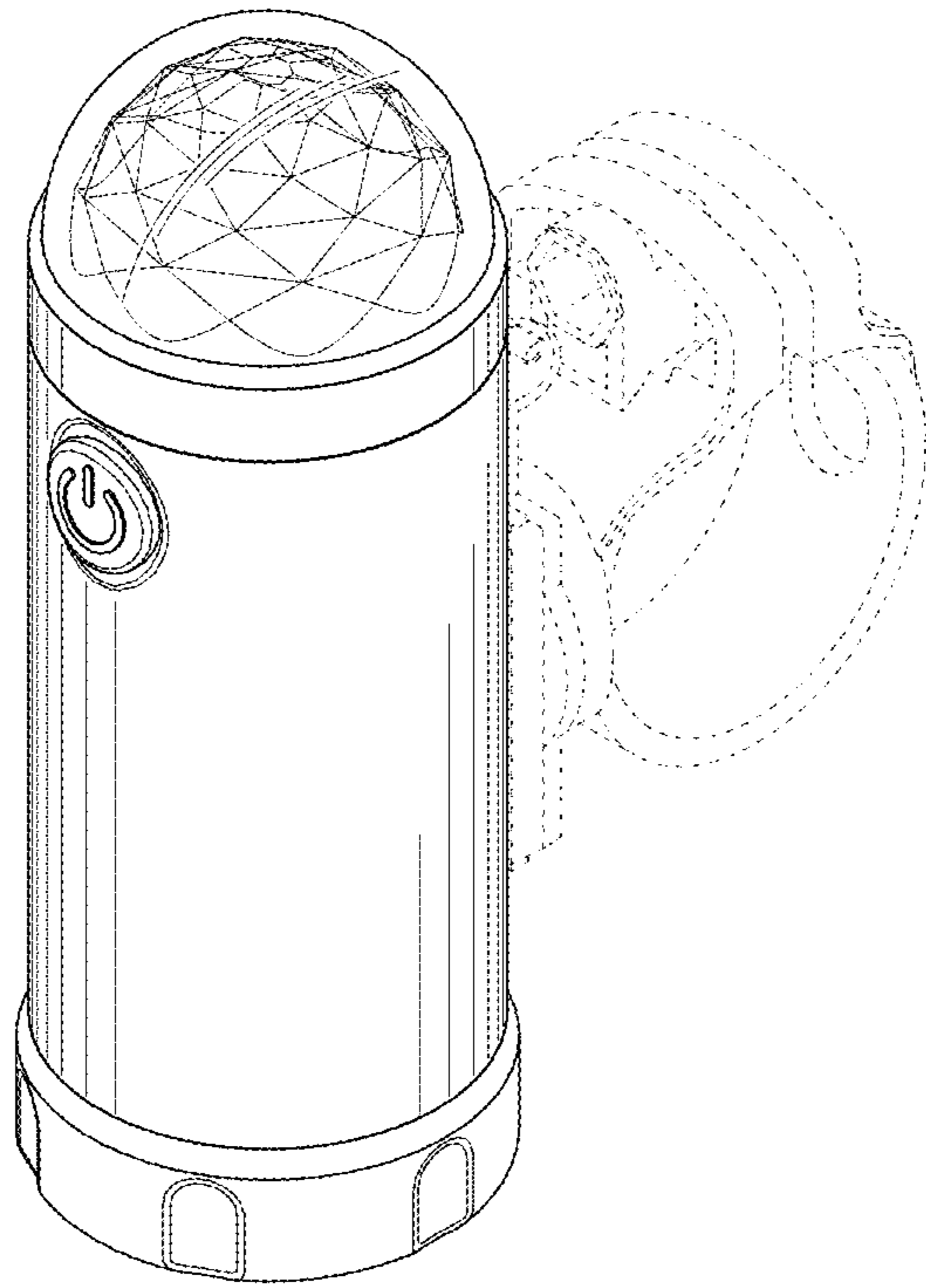


FIG. 1

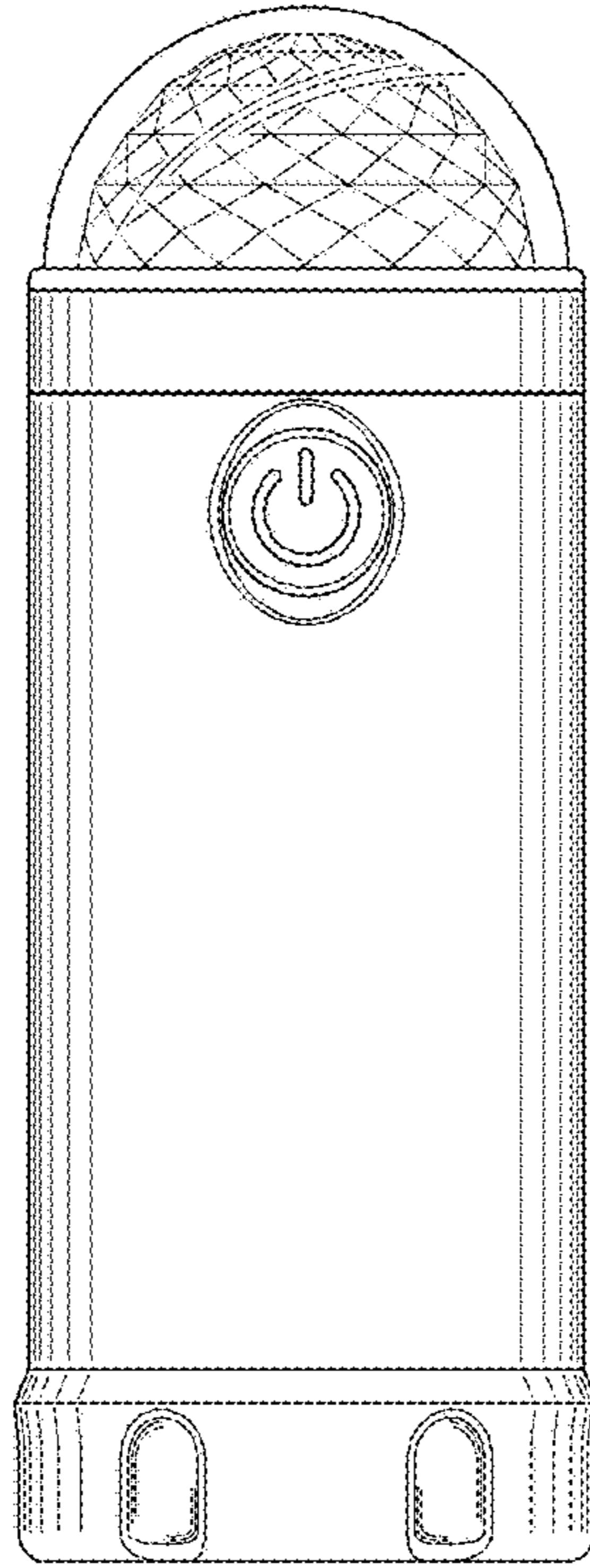


FIG. 2

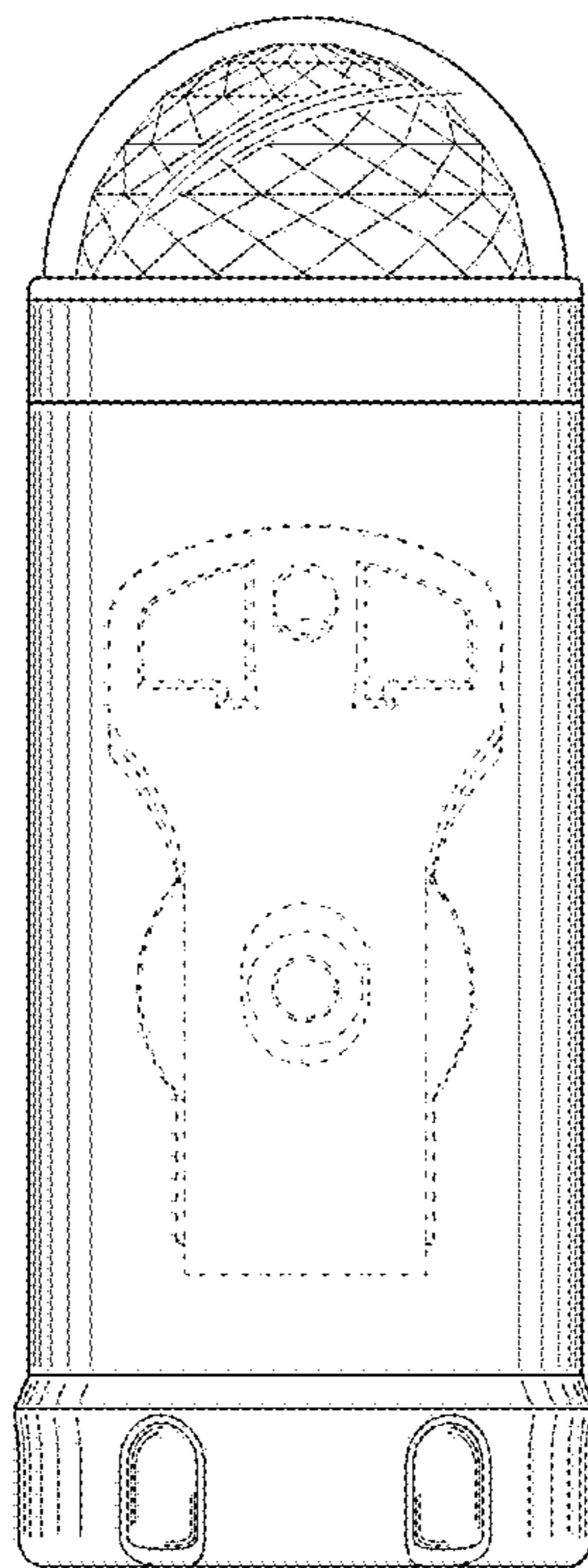


FIG. 3

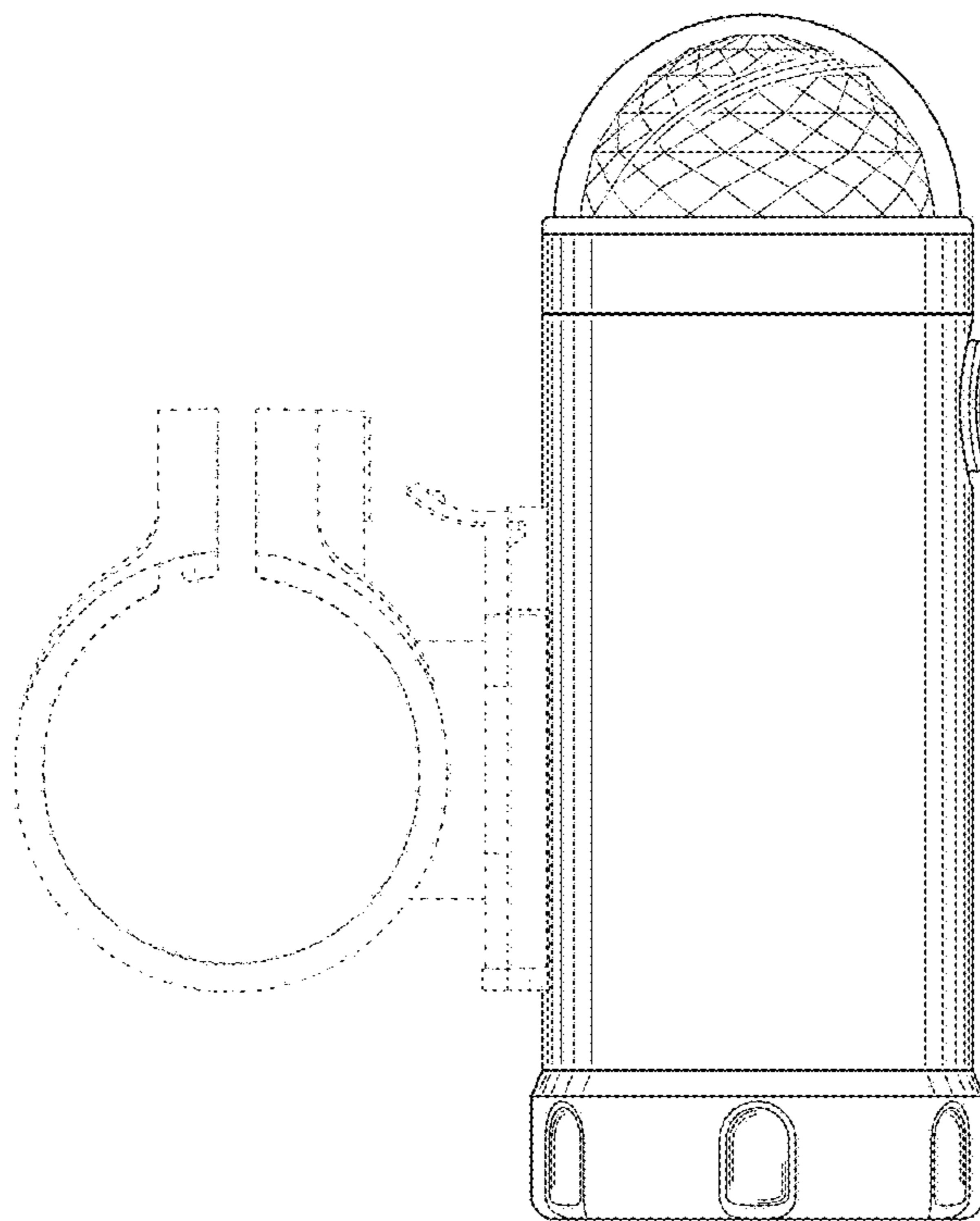


FIG. 4

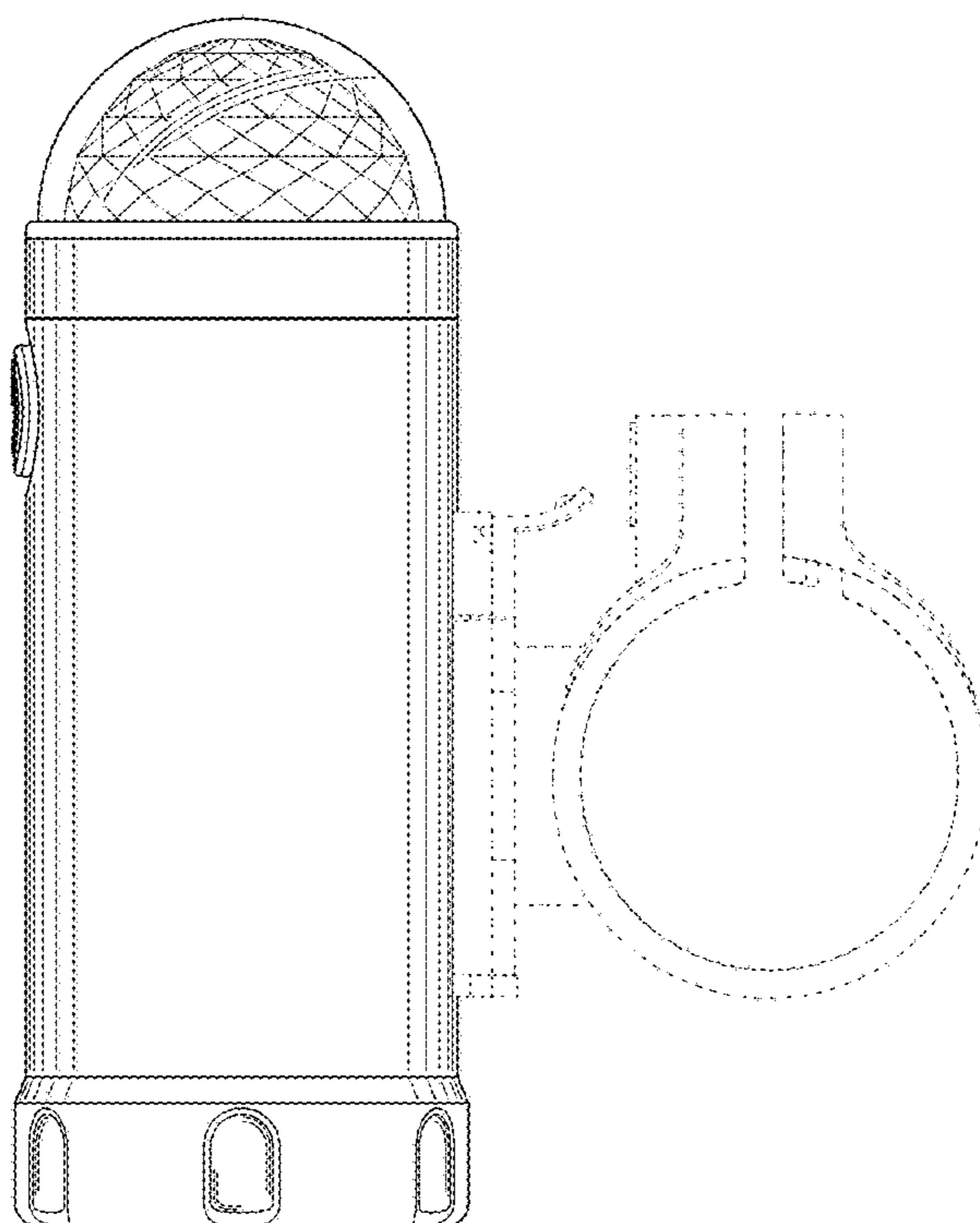


FIG. 5

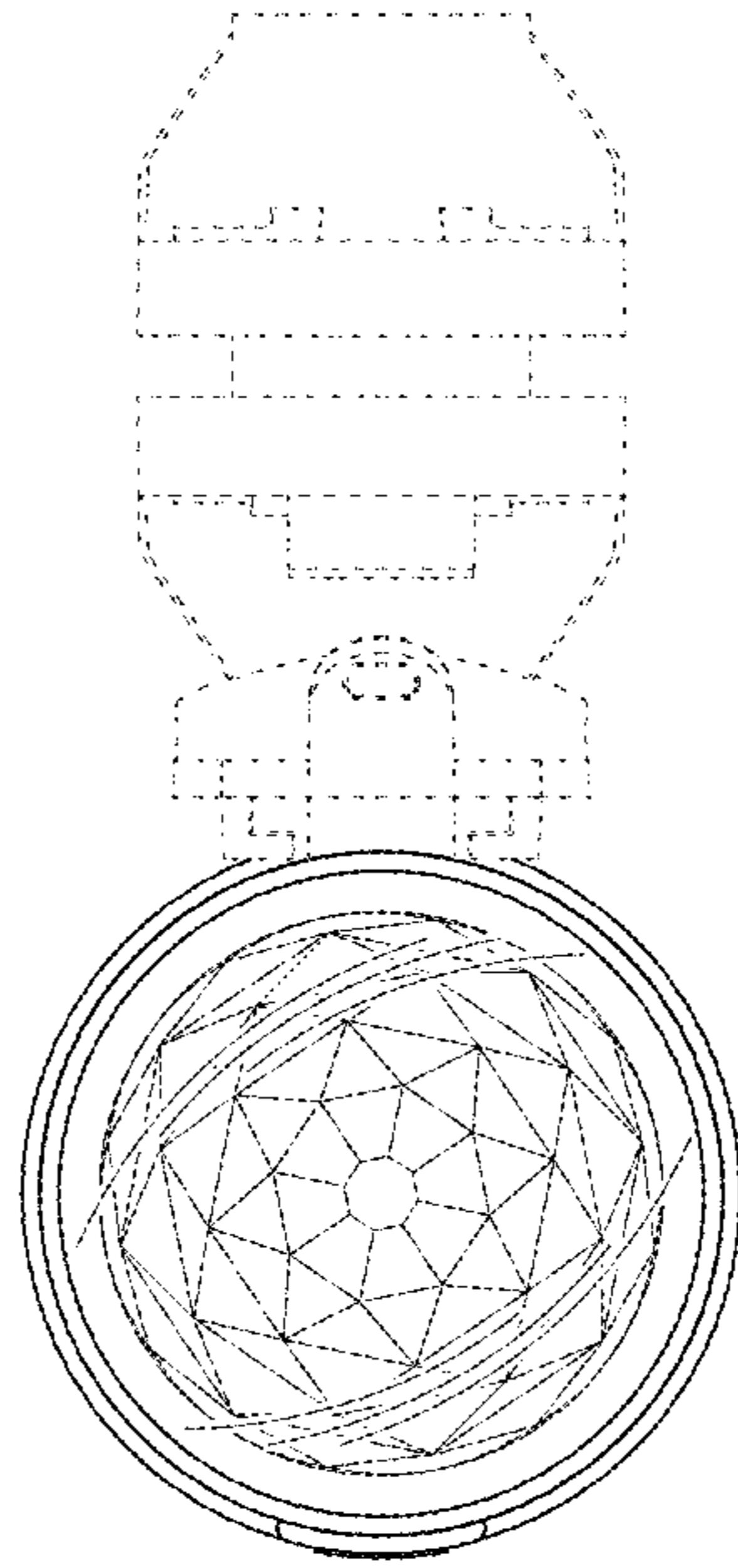


FIG. 6

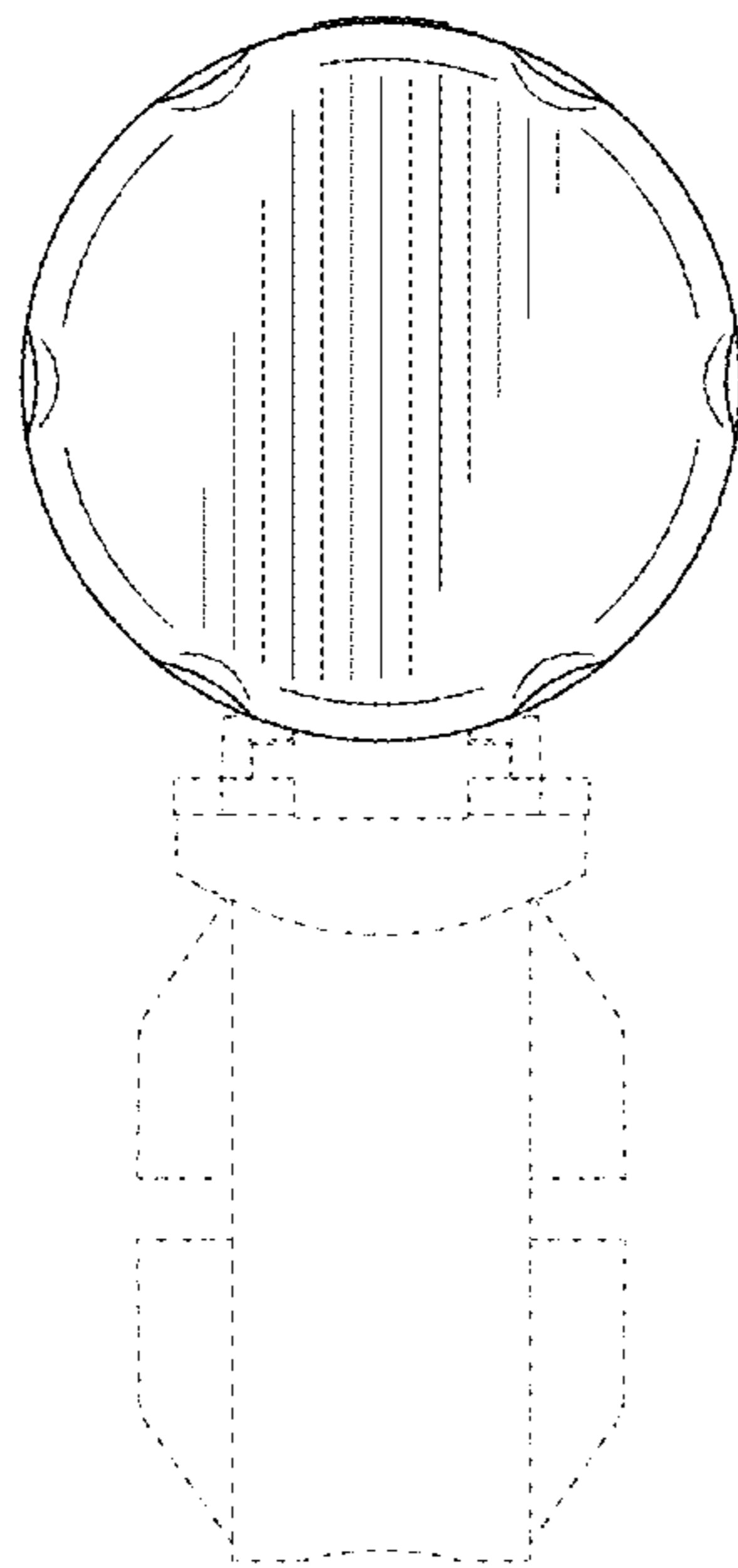


FIG. 7