



US00D836221S

(12) **United States Design Patent** (10) **Patent No.:** **US D836,221 S**
Sauppe (45) **Date of Patent:** **** Dec. 18, 2018**

(54) **BASKETBALL BACKBOARD AND HOOP LIGHT ASSEMBLY**

(71) Applicant: **Brightz, Ltd.**, Ottawa Lake, MI (US)

(72) Inventor: **Michael Sauppe**, Ottawa Lake, MI (US)

(73) Assignee: **Brightz, Ltd.**, Ottawa Lake, MI (US)

(**) Term: **15 Years**

(21) Appl. No.: **29/601,257**

(22) Filed: **Apr. 20, 2017**

(51) **LOC (11) Cl.** **26-02**

(52) **U.S. Cl.**
USPC **D26/25**

(58) **Field of Classification Search**
USPC D26/1, 24, 25, 27, 37, 39, 113, 118;
D11/3
CPC F21S 4/00; F21S 4/002; F21S 4/005; F21S
4/007; G02B 6/0006; G02B 6/0008;
G02B 6/4298; G02B 6/001; F21Y
2101/02; F21K 9/00; A44C 15/0015;
F21V 33/008

See application file for complete search history.

(56) **References Cited**

U.S. PATENT DOCUMENTS

3,911,264	A *	10/1975	Chao	F21V 33/008 362/231
D426,327	S *	6/2000	Guzik	D26/25
D482,806	S *	11/2003	Lofton	D26/25
7,104,668	B1 *	9/2006	Lee	A44C 15/0015 362/103
D541,690	S *	5/2007	Schrimmer	D11/3
D550,869	S *	9/2007	Hoshikawa	D26/25
D590,530	S *	4/2009	Tsai	D26/51
D670,419	S *	11/2012	Fissell	D26/51

(Continued)

Primary Examiner — Brian N. Vinson

(74) *Attorney, Agent, or Firm* — Kegler, Brown, Hill & Ritter Co., LPA; Lorraine Hernandez

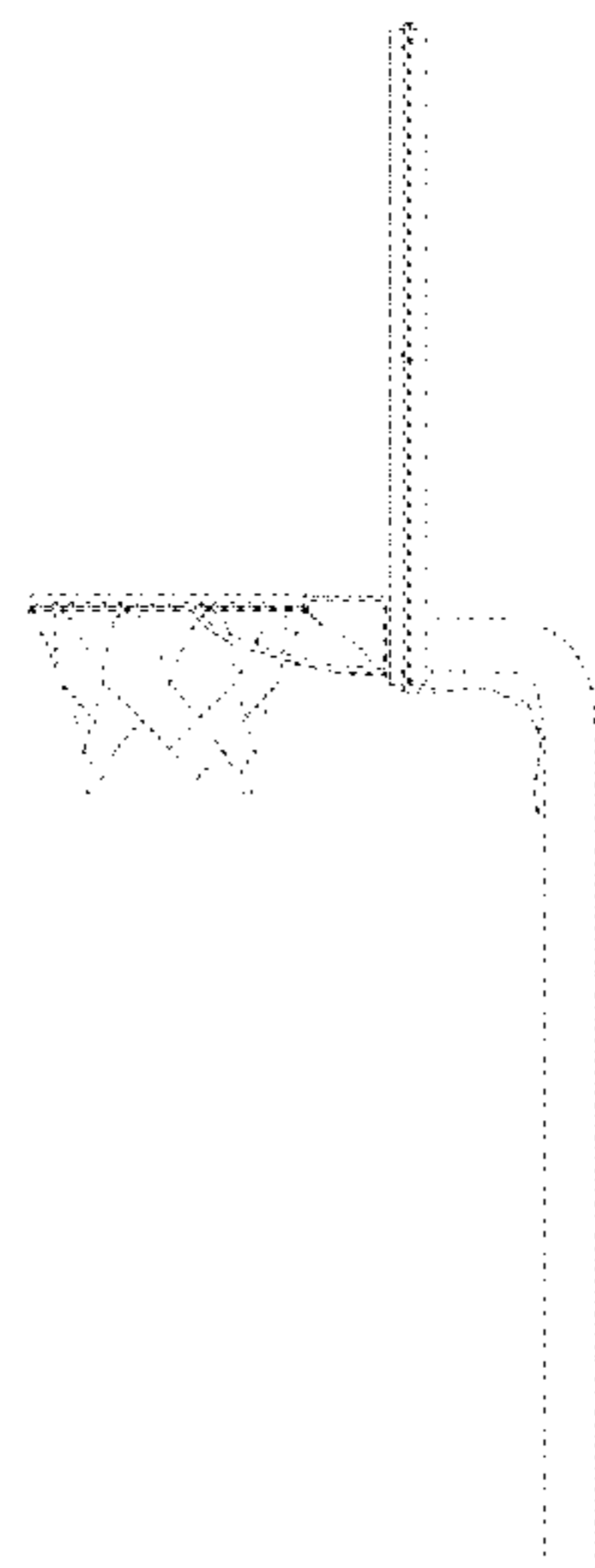
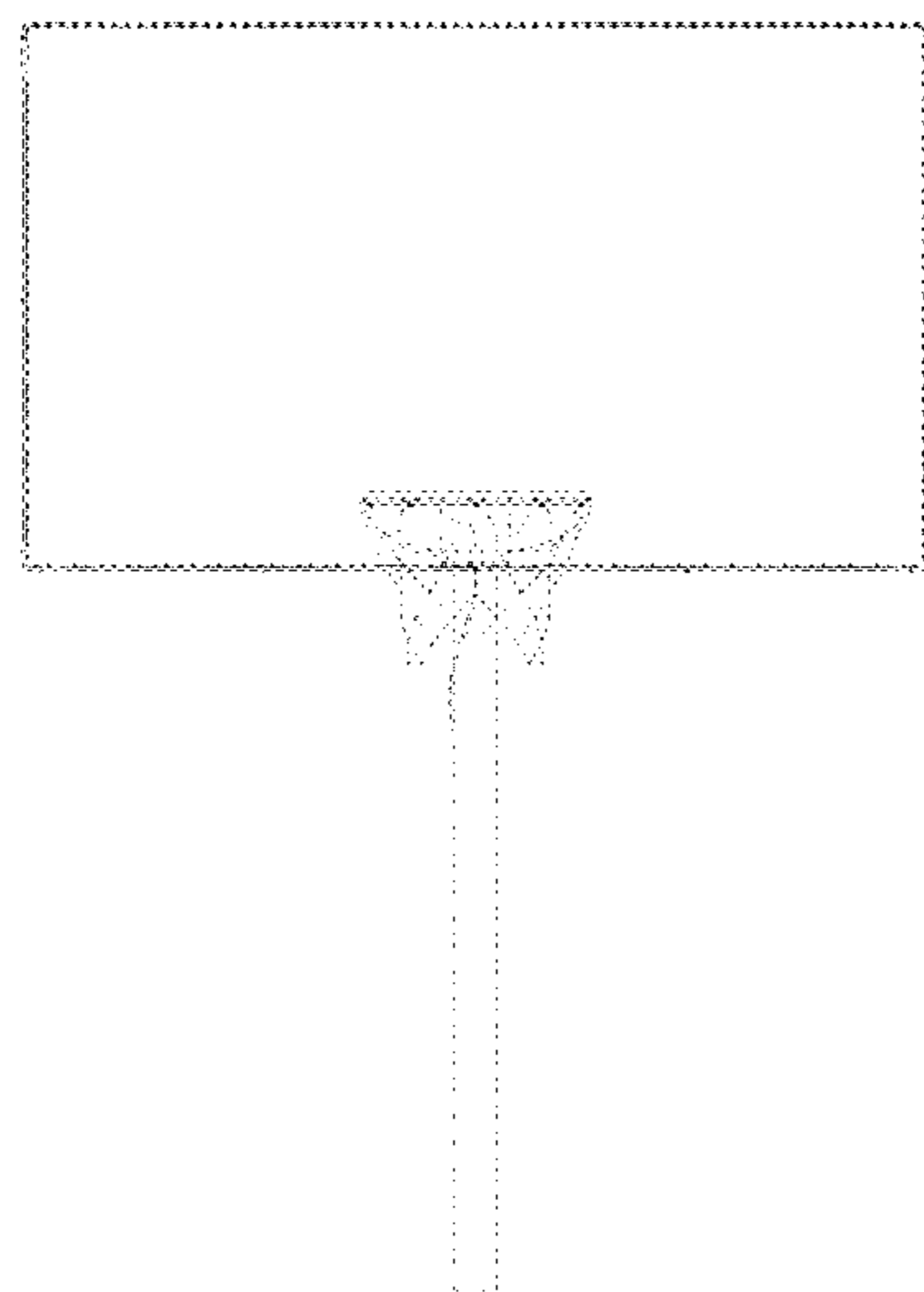
(57) **CLAIM**

The ornamental design for a basketball backboard and hoop light assembly, as shown and described.

DESCRIPTION

FIG. 1 is a front elevational view of a basketball backboard and hoop light assembly showing my new design; FIG. 2 is a rear elevational view thereof; FIG. 3 is a right side elevational view thereof; FIG. 4 is a left side elevational view thereof; FIG. 5 is a top plan view thereof; FIG. 6 is a bottom plan view thereof; FIG. 7 is an enlarged fragmentary top and front perspective view of the hoop portion thereof, with the remaining portions being omitted for clarity of illustration; FIG. 8 is an enlarged fragmentary top plan view of the hoop and backboard portions thereof, with the remaining portions being omitted for clarity of illustration; FIG. 9 is a greatly enlarged fragmentary top and front perspective view of the backboard portion thereof, with the remaining portions being omitted for clarity of illustration; FIG. 10 is a greatly enlarged fragmentary top and front perspective view of the hoop portion thereof, with the remaining portions being omitted for clarity of illustration; FIG. 11 is an enlarged fragmentary top plan view of another part of the hoop and backboard portions thereof, with the remaining portions being omitted for clarity of illustration; and, FIG. 12 is an enlarged fragmentary front elevational view of another of the backboard portions thereof, with the remaining portions being omitted for clarity of illustration. The broken line disclosure in the views represents portions of a basketball hoop and backboard, which forms no part of the claimed design.

1 Claim, 12 Drawing Sheets



(56)

References Cited

U.S. PATENT DOCUMENTS

D729,425 S * 5/2015 Wright D26/37
D750,824 S * 3/2016 Bonang D26/39
D775,376 S * 12/2016 Moreau D26/25

* cited by examiner

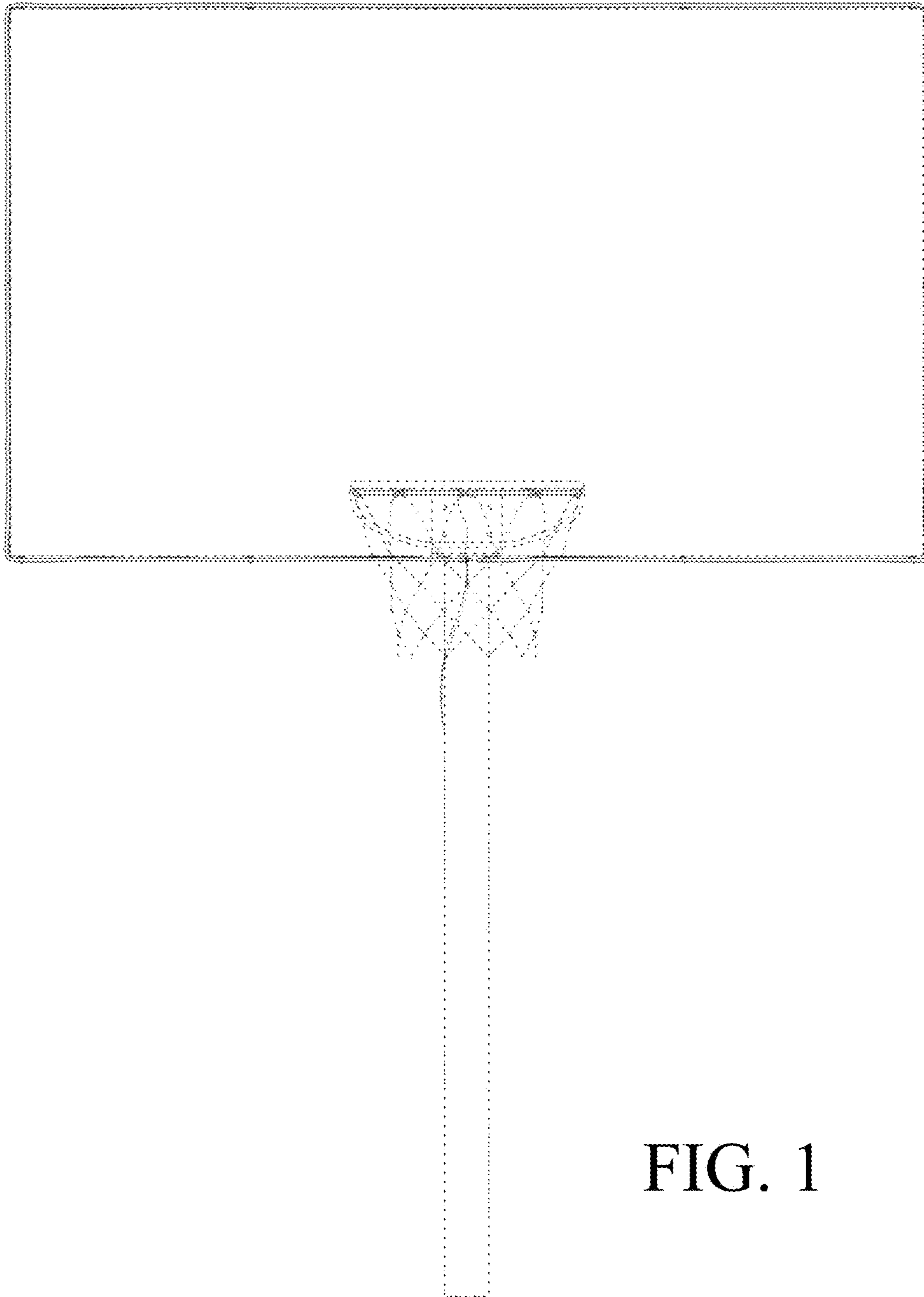


FIG. 1

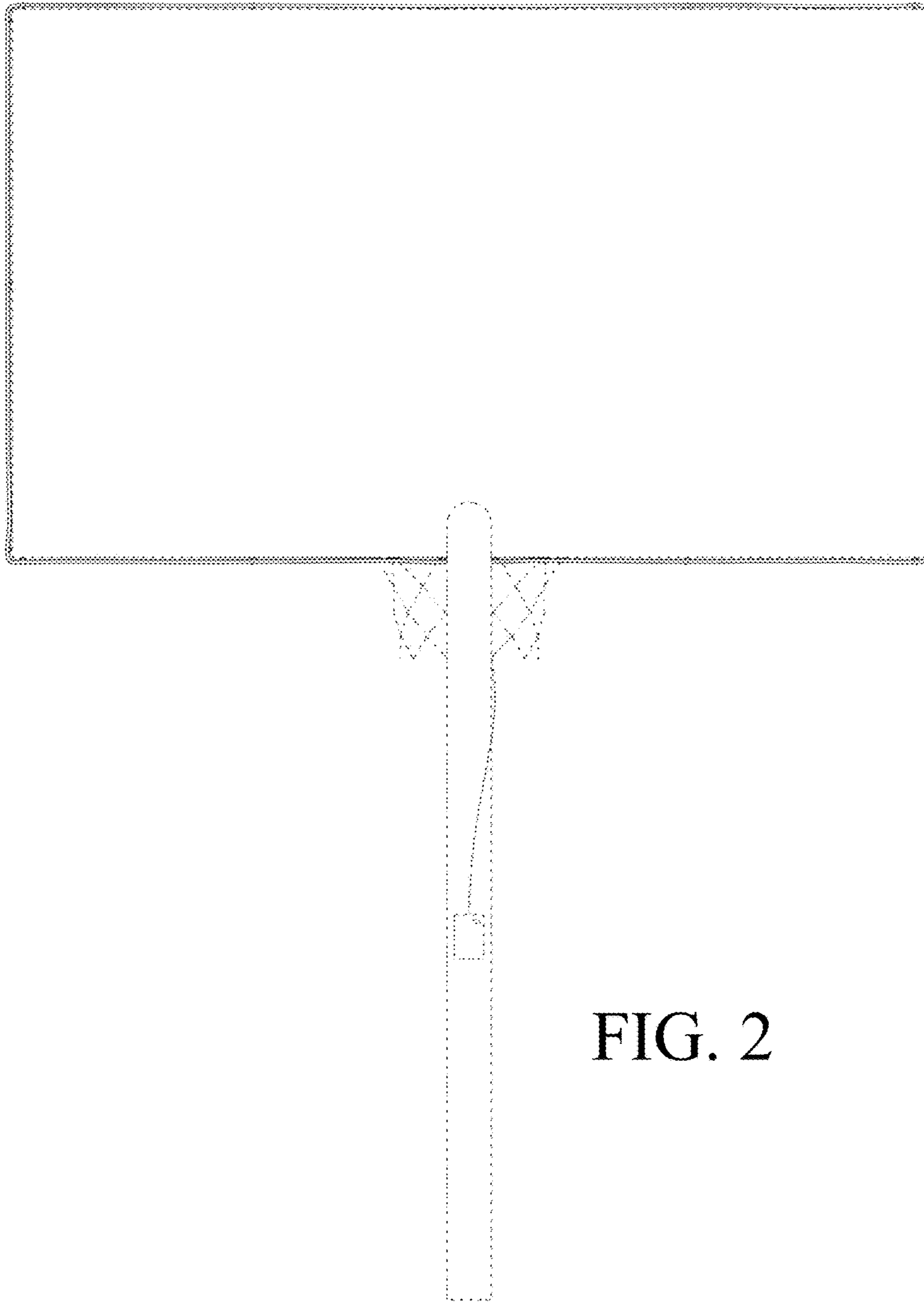


FIG. 2

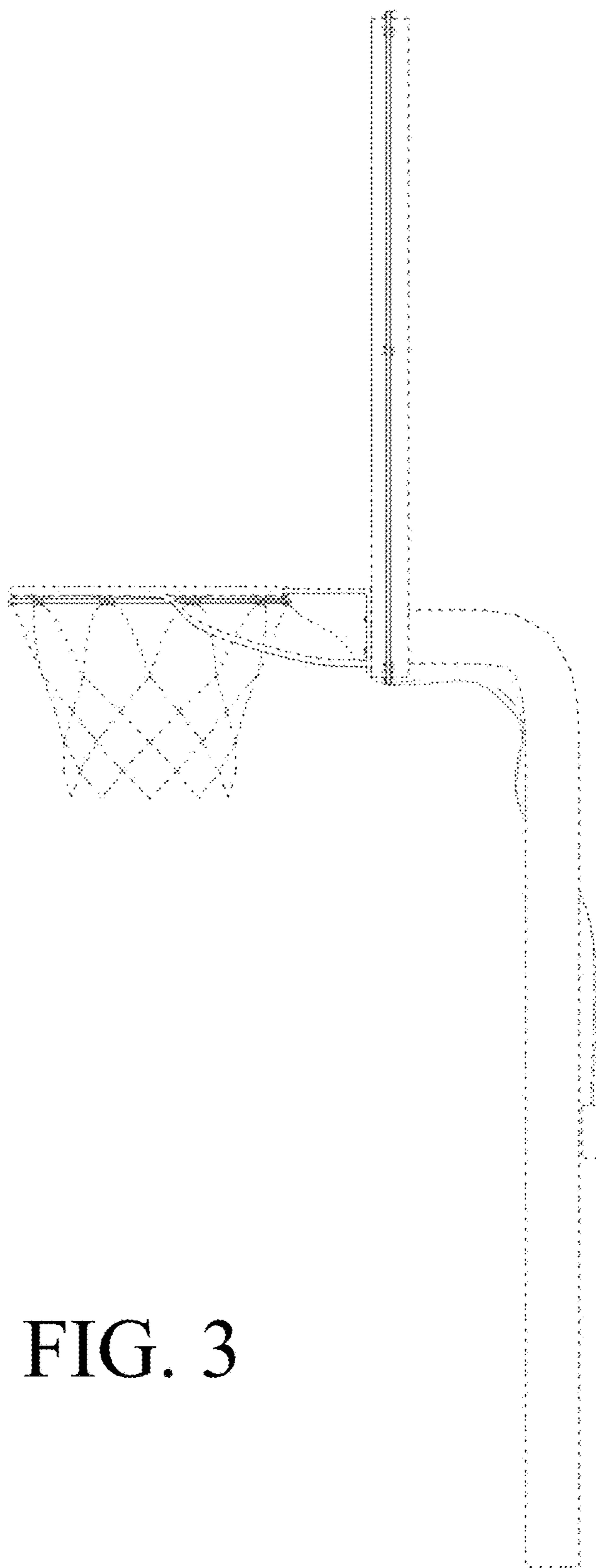


FIG. 3

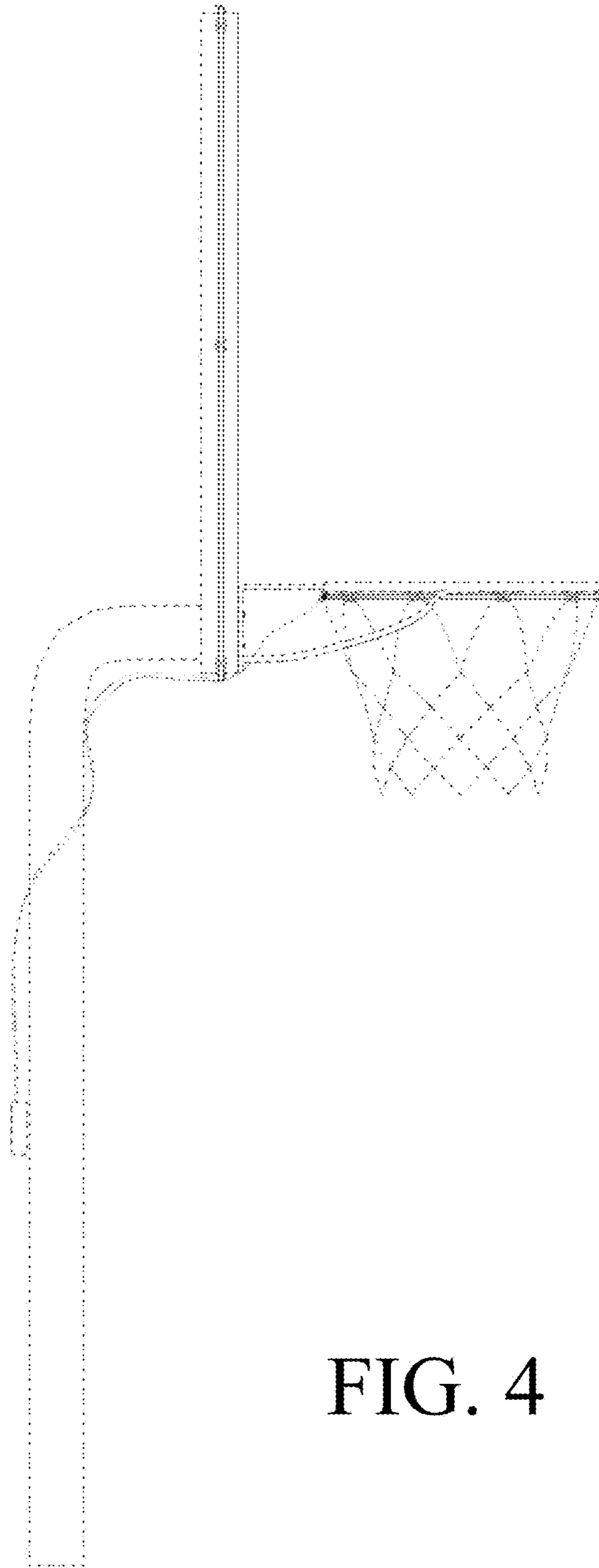


FIG. 4

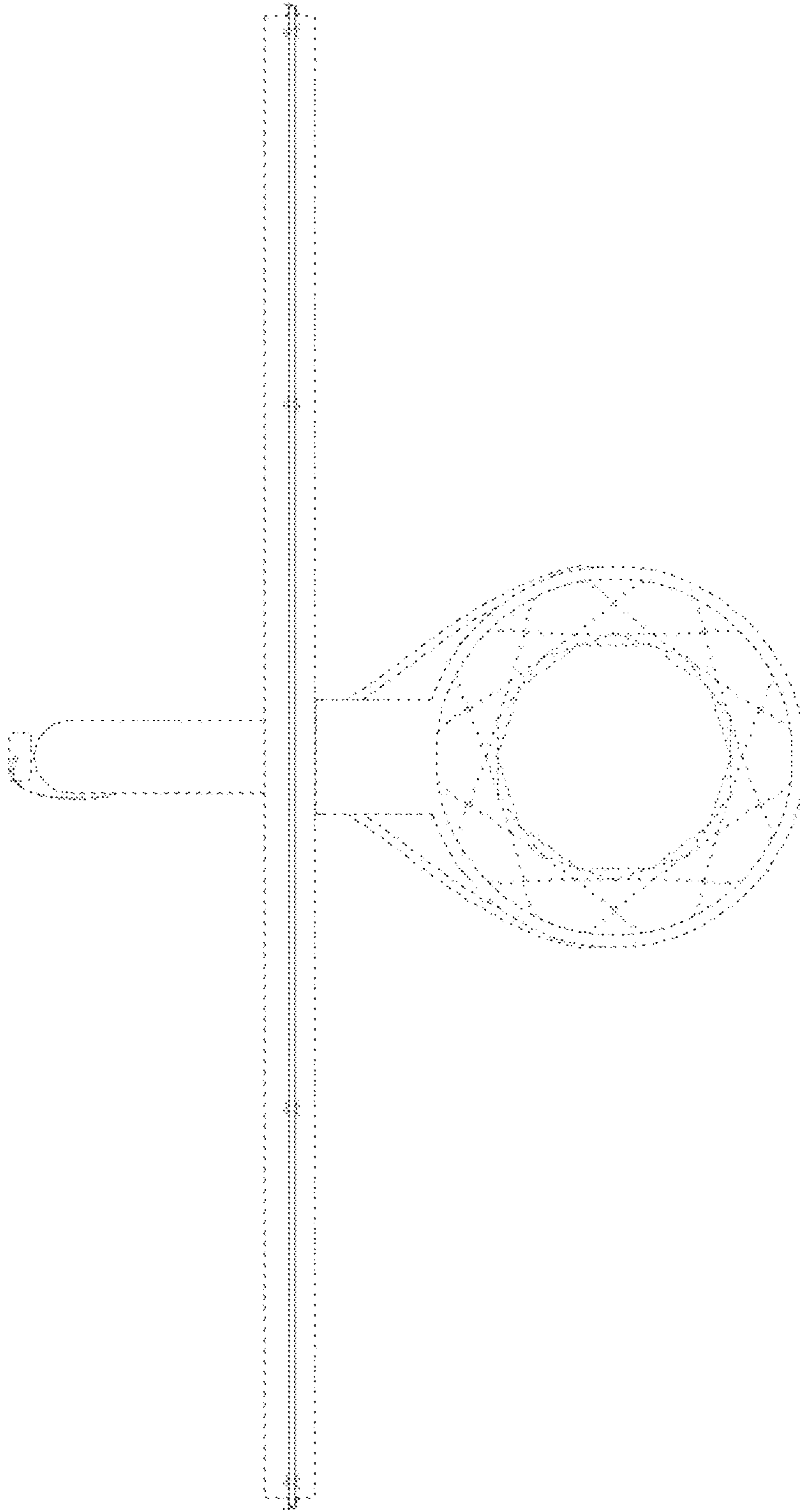


FIG. 5

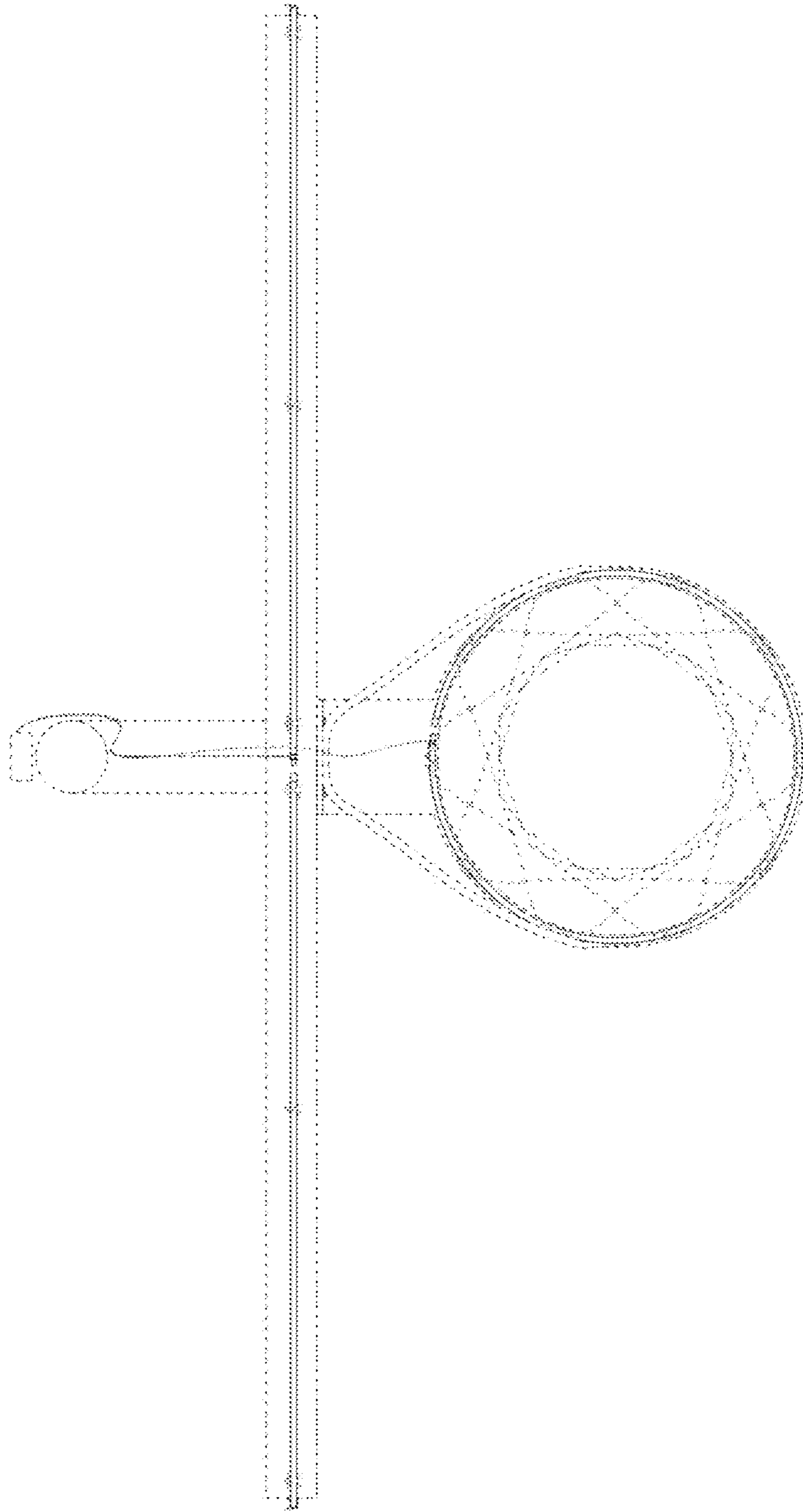


FIG. 6

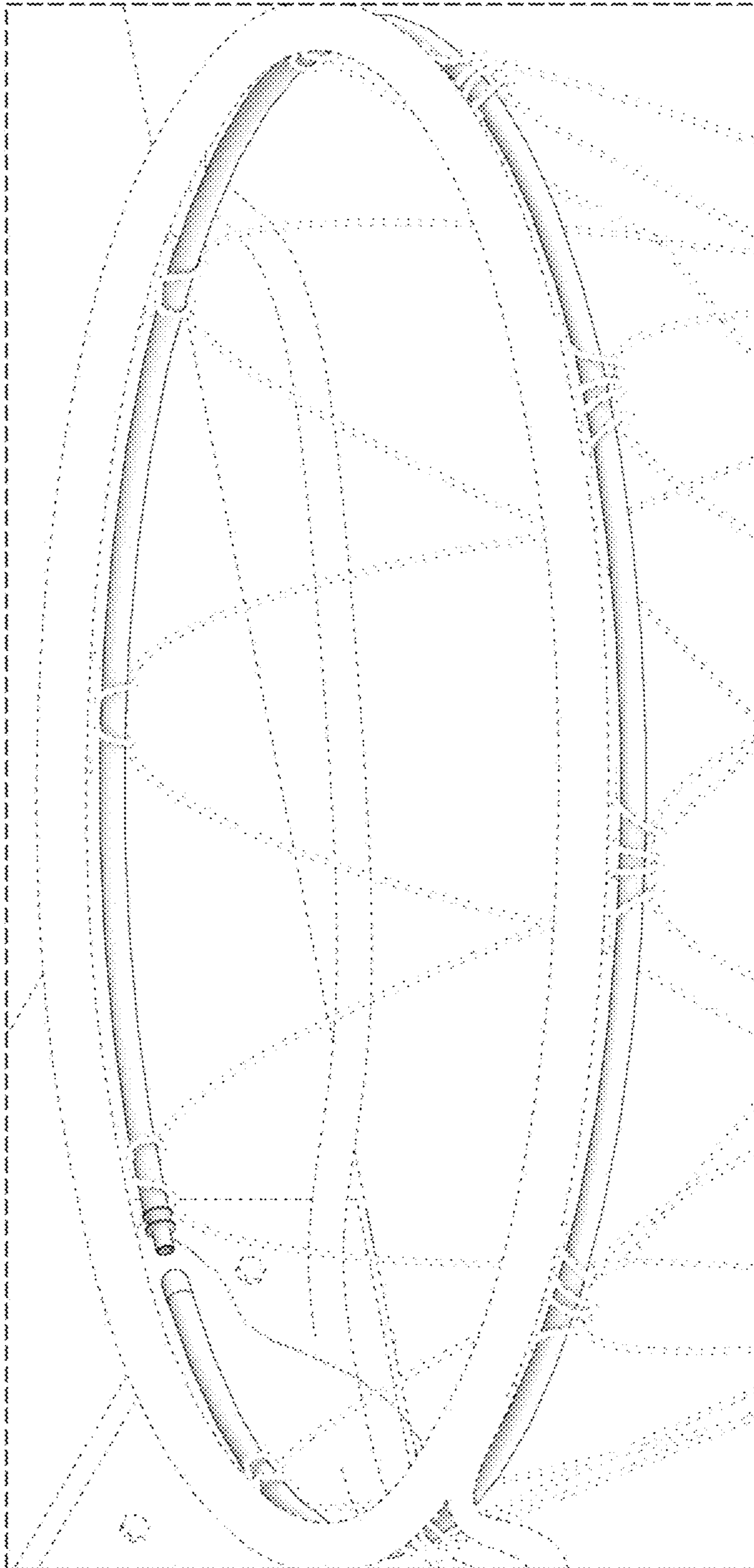


FIG. 7

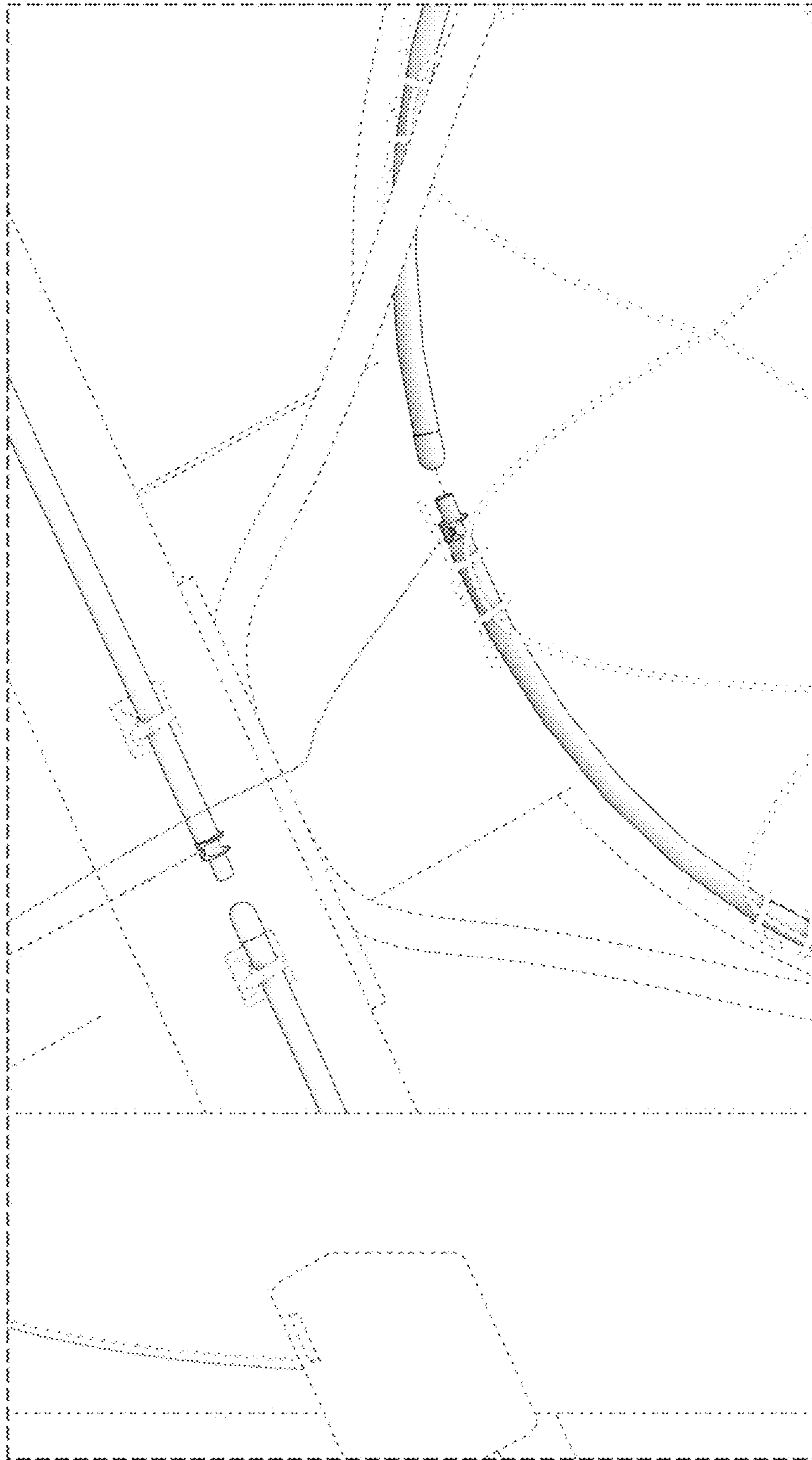


FIG. 8

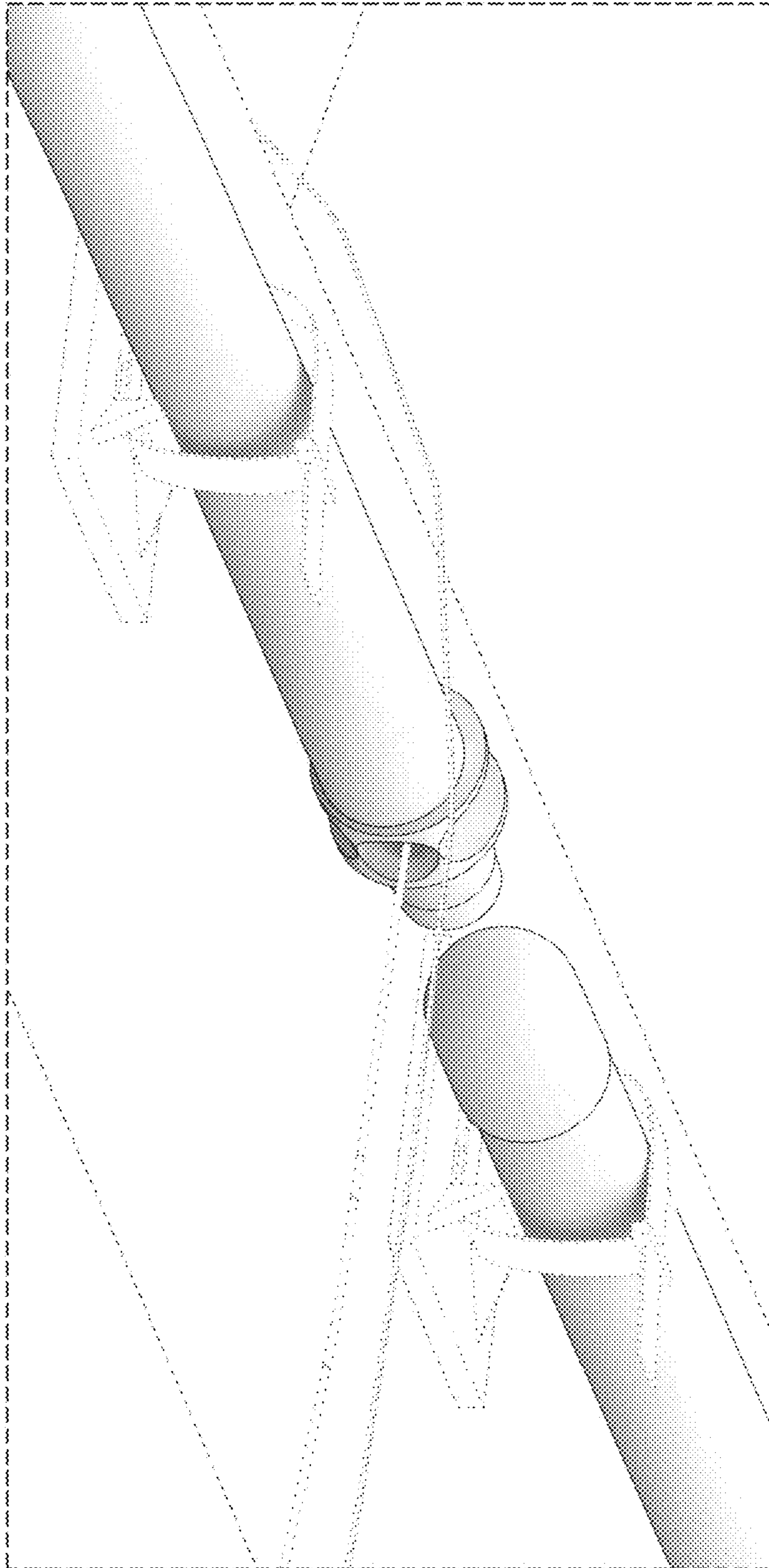


FIG. 9

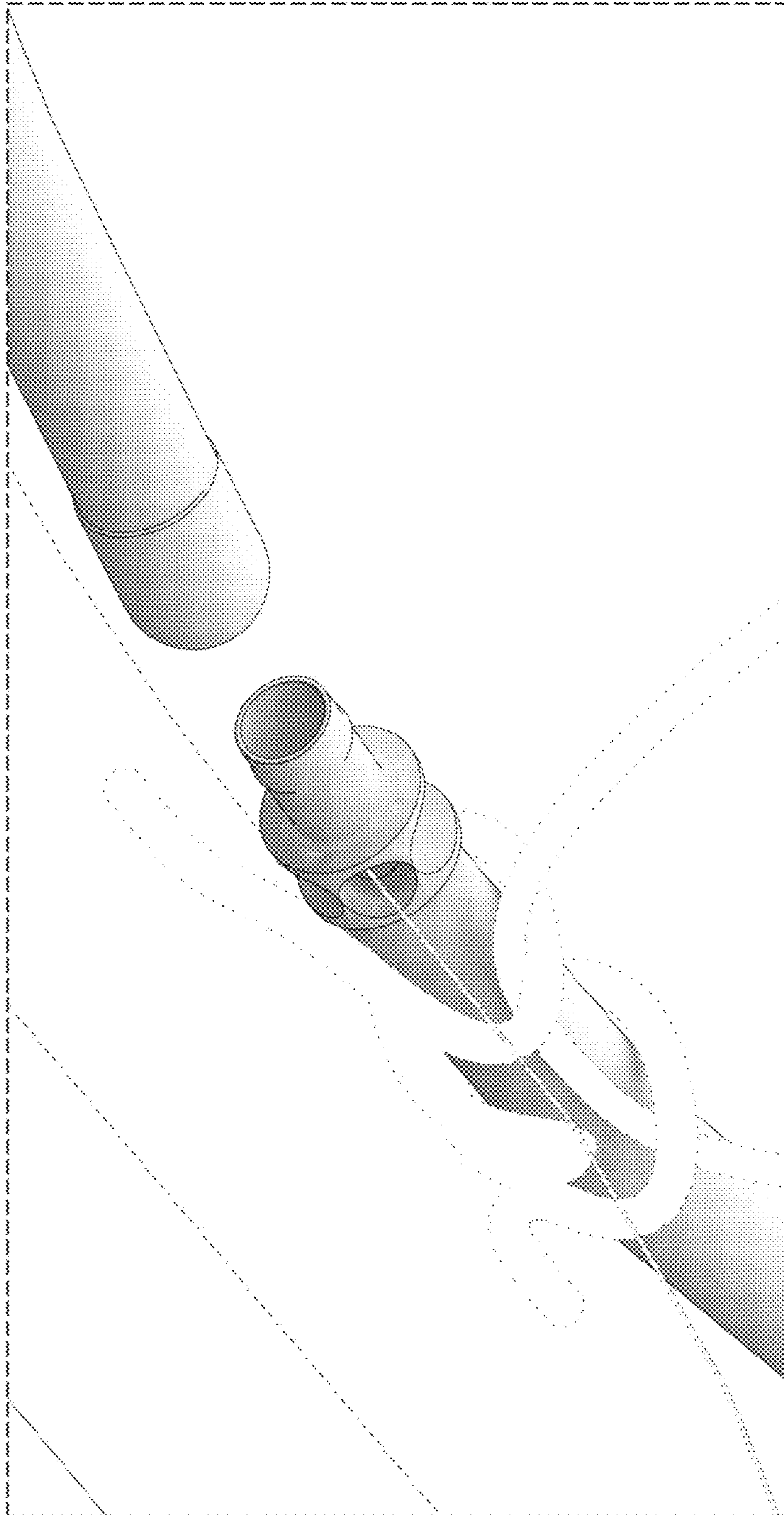


FIG. 10

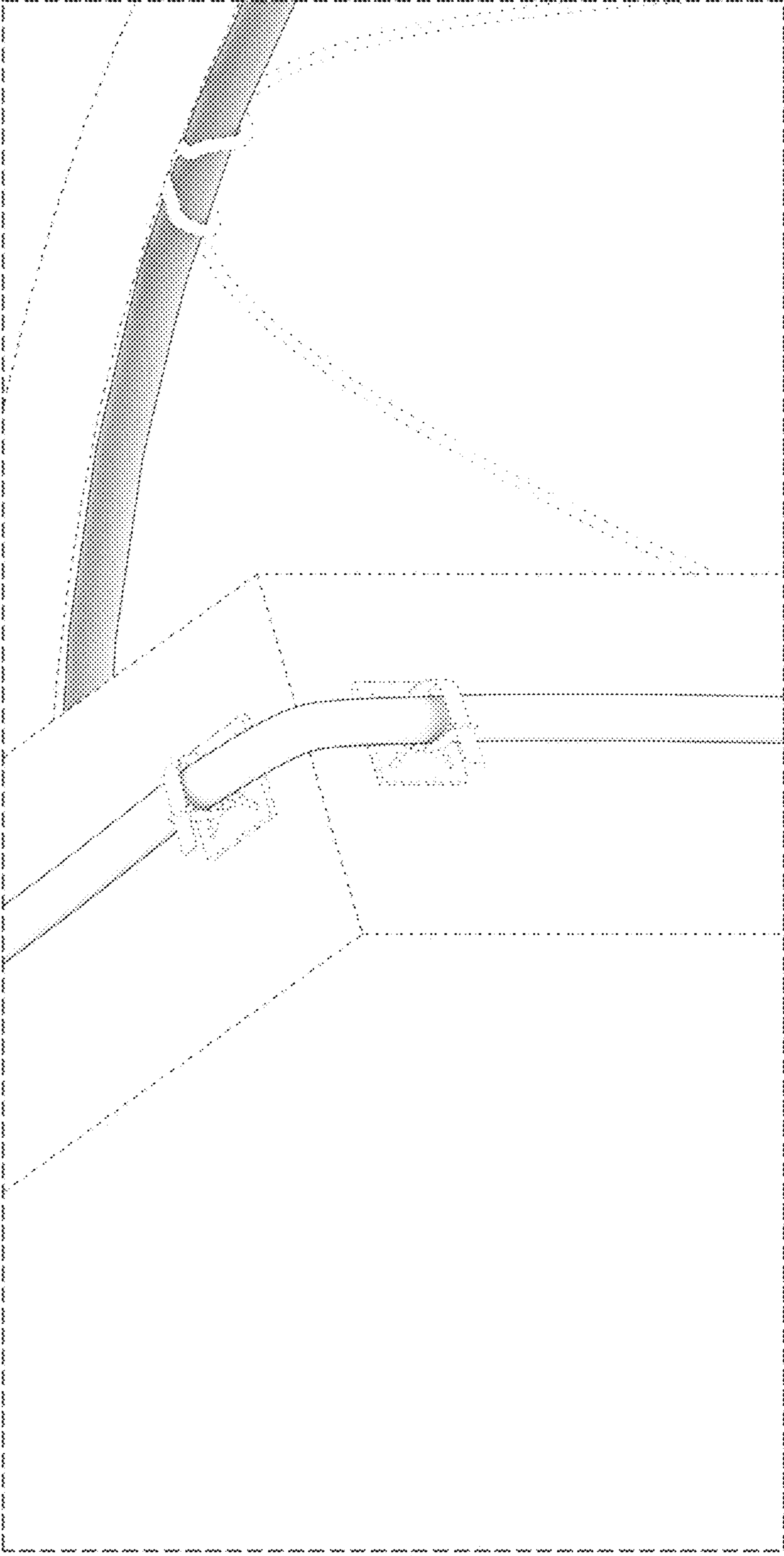


FIG. 11

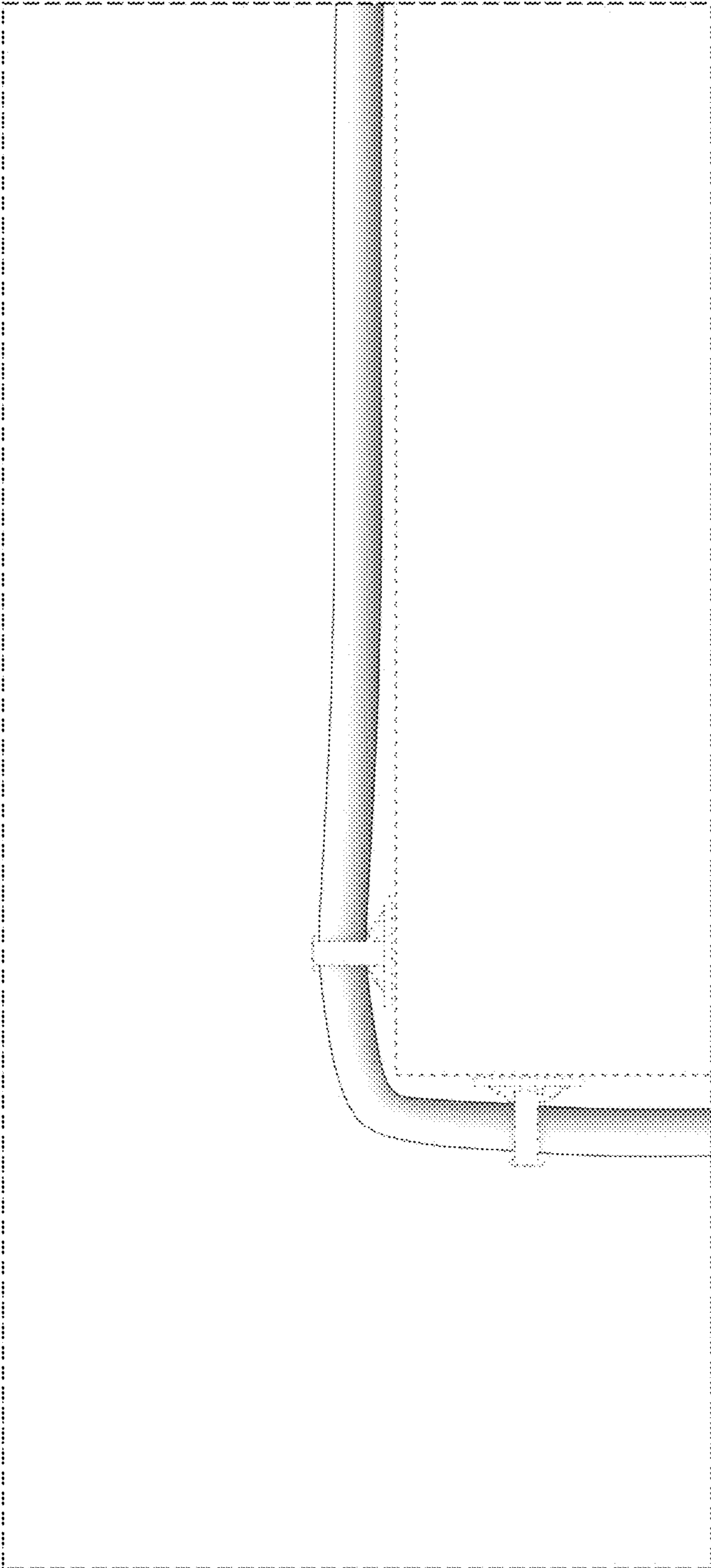


FIG. 12