



US00D836218S

(12) **United States Design Patent** (10) **Patent No.:** **US D836,218 S**  
**Beghelli** (45) **Date of Patent:** **\*\* Dec. 18, 2018**

(54) **LIGHT FIXTURE WITH A LED LIGHT UNIT**

*Primary Examiner* — Marcus Jackson

(71) Applicant: **Beghelli S.P.A.**,  
Monteveglia-Valsamoggia BO (IT)

(74) *Attorney, Agent, or Firm* — Hedman & Costigan,  
P.C.; James V. Costigan; Kathleen A. Costigan

(72) Inventor: **Gian Pietro Beghelli**,  
Monteveglia-Valsamoggia BO (IT)

(57) **CLAIM**

(73) Assignee: **BEGHELLI S.P.A.**,  
Monteveglia-Valsamoggia Bo (IT)

I claim the ornamental design for a light fixture with a LED light unit, as shown and described.

(\*\*) Term: **15 Years**

(21) Appl. No.: **29/579,785**

**DESCRIPTION**

(22) Filed: **Oct. 3, 2016**

(30) **Foreign Application Priority Data**

Apr. 1, 2016 (EM) ..... 003052372-0001

(51) **LOC (11) Cl.** ..... **26-04**

(52) **U.S. Cl.**  
USPC ..... **D26/1**

(58) **Field of Classification Search**  
USPC ..... D13/180; D26/1-4; 313/313, 315, 316,  
313/317, 318, 493; 315/52, 53, 56, 57,  
315/58

CPC .... F21S 8/00; F21S 8/031; F21V 2/00; F21Y  
2103/00; F21Y 2103/003  
See application file for complete search history.

FIG. 1 is a top perspective view of a light fixture with a LED light unit showing my new design;  
FIG. 2 is a top elevational view thereof with section lines;  
FIG. 3 is a top elevational view thereof;  
FIG. 4 is a bottom elevational view thereof;  
FIG. 5 is a right side elevational view thereof;  
FIG. 6 is a left side view thereof;  
FIG. 7 is a front view thereof;  
FIG. 8 is a back view thereof;  
FIG. 9 is an enlarged cross section view showing a section taken along line 9-9 of FIG. 2;  
FIG. 10 is an enlarged cross section view showing a section taken along line 10-10 of FIG. 2; and,  
FIG. 11 is an enlarged cross section view showing a section taken along line 11-11 of FIG. 2.

(56) **References Cited**

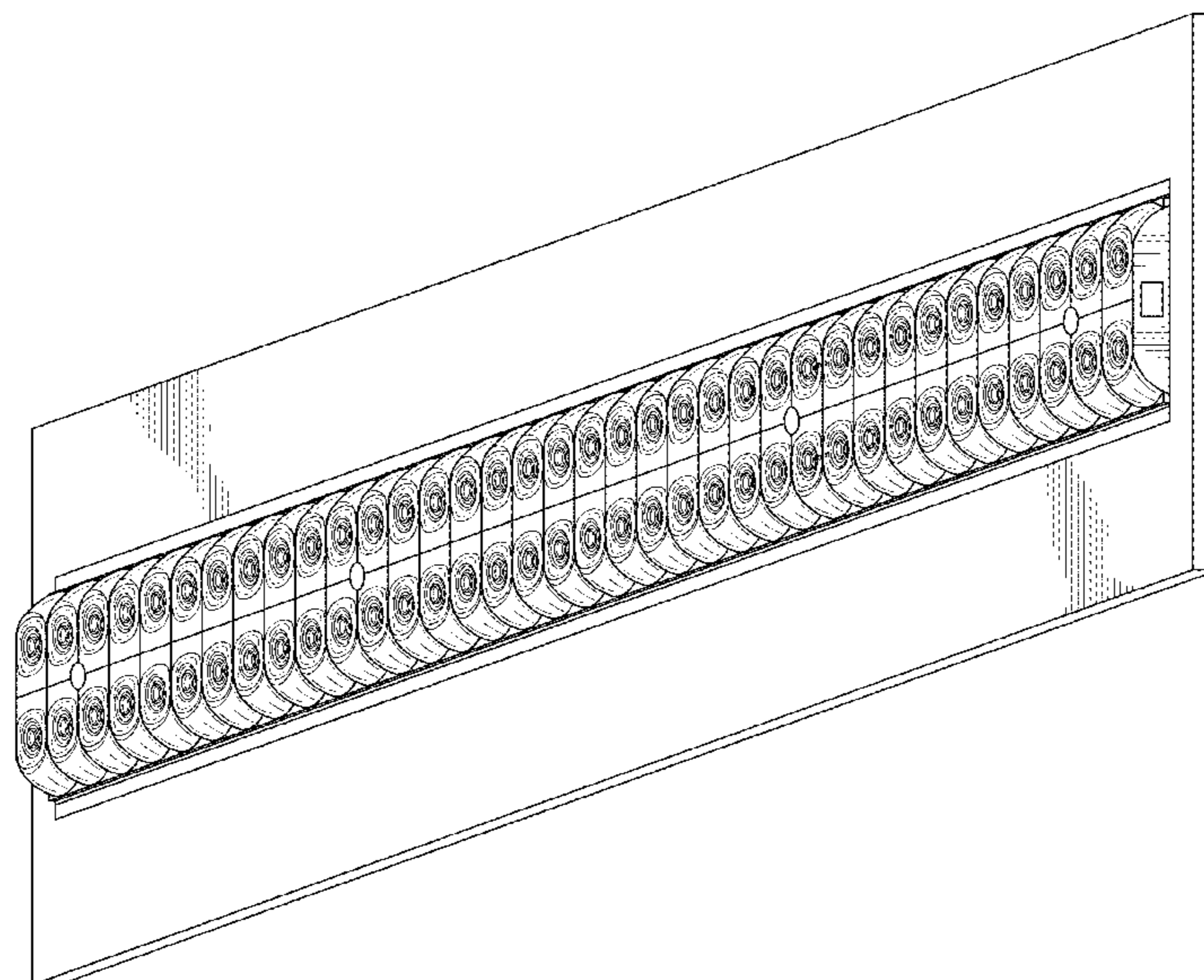
U.S. PATENT DOCUMENTS

D562,473 S \* 2/2008 Matsui ..... D26/1  
D570,506 S \* 6/2008 Uemoto ..... D26/1  
D665,105 S \* 8/2012 Betsuda ..... D13/180  
D747,008 S \* 1/2016 Kim ..... D26/1

The portions of the light fixture with a LED light unit shown in broken lines form no part of the claimed design.

\* cited by examiner

**1 Claim, 10 Drawing Sheets**



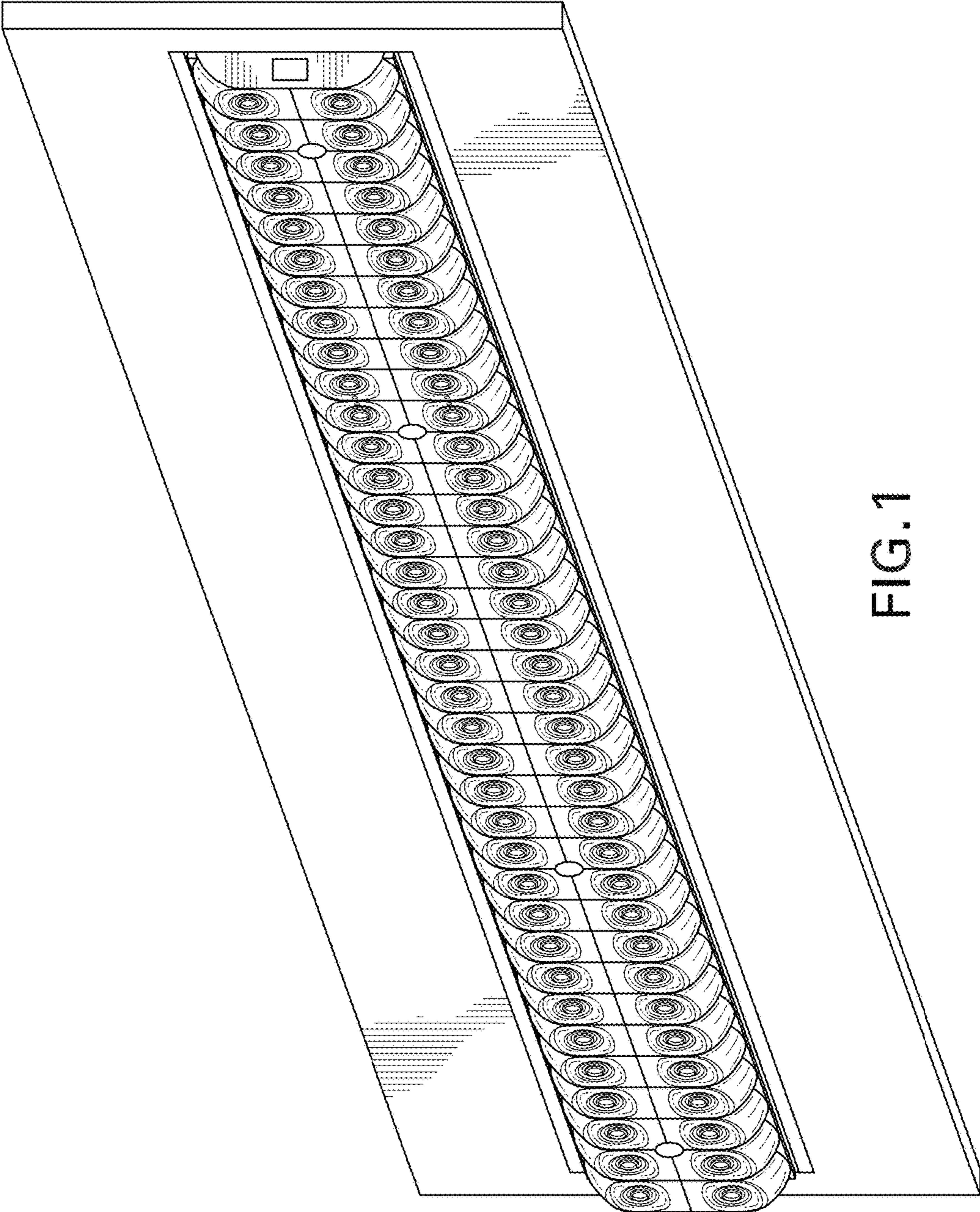


FIG.1

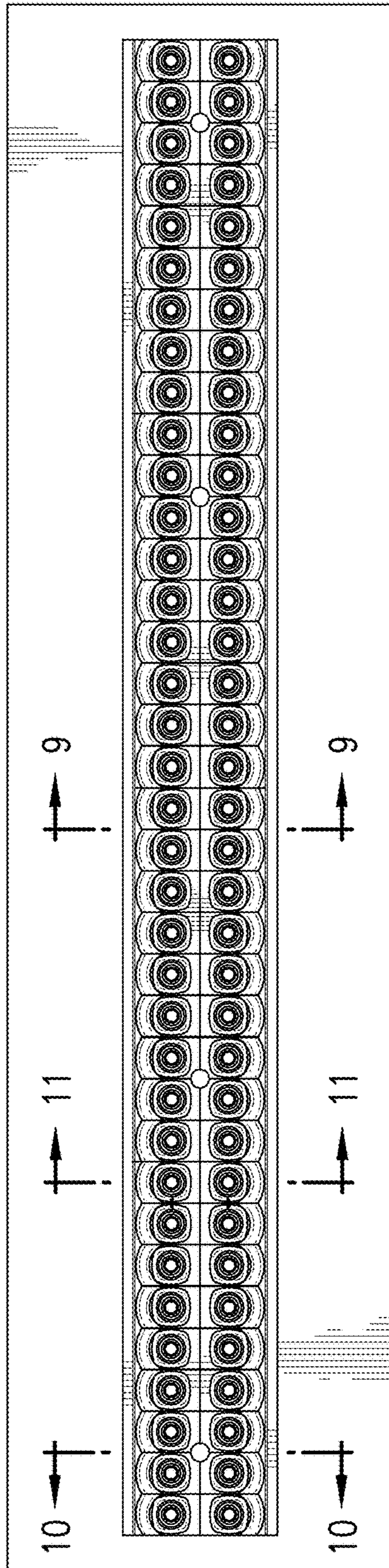


FIG. 2

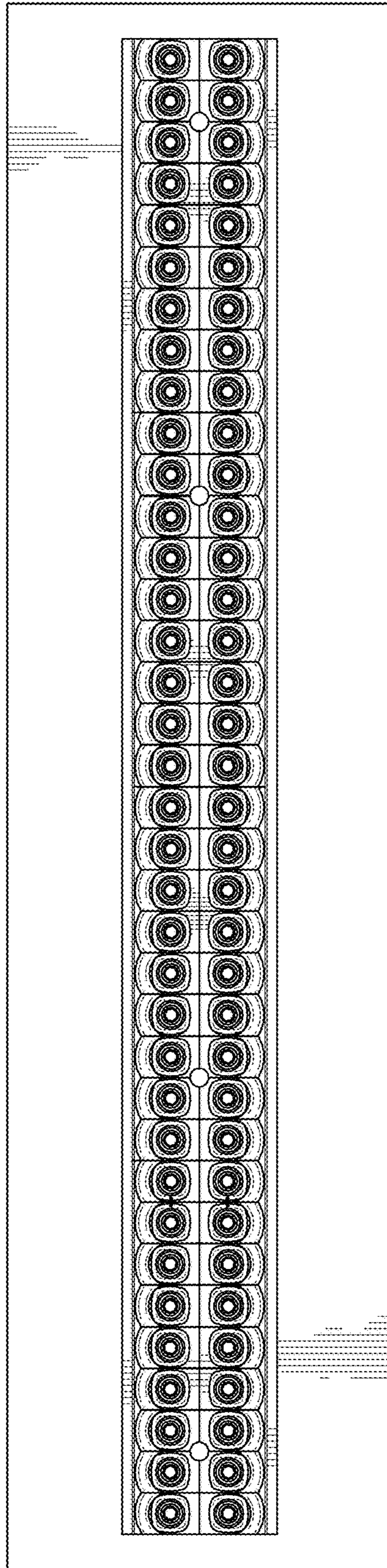


FIG. 3

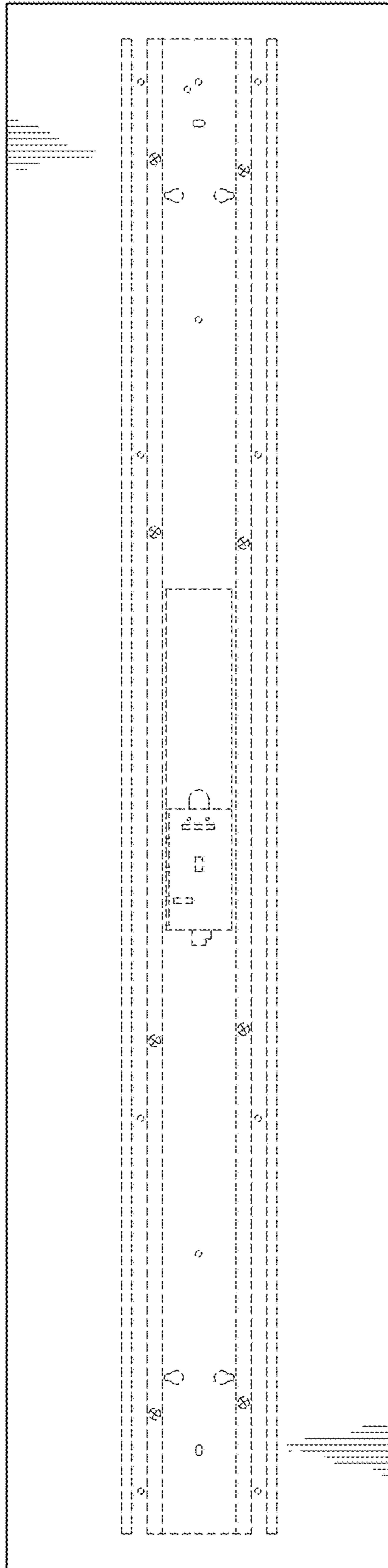


FIG. 4



FIG.5



FIG. 6



FIG. 7



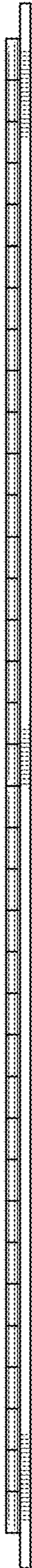


FIG. 8

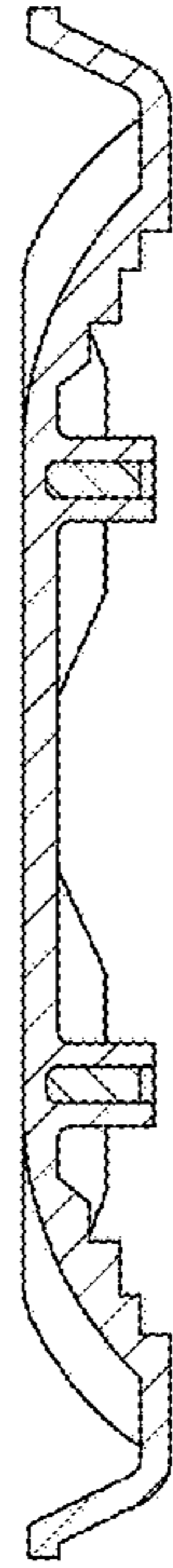


FIG. 9

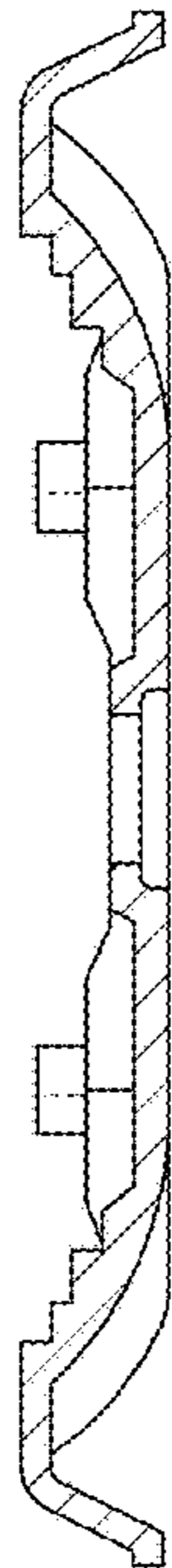


FIG. 10

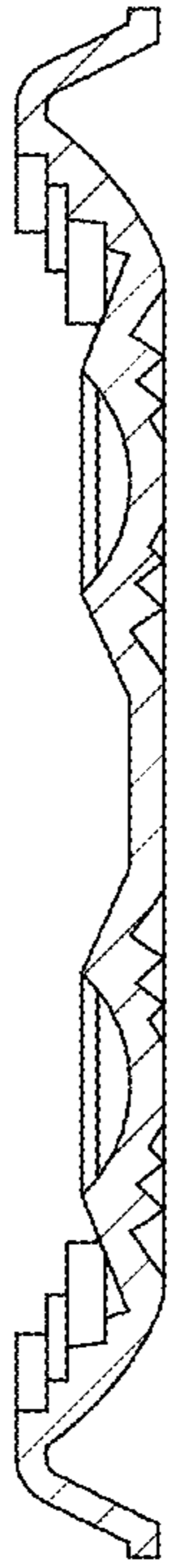


FIG. 11