



US00D836217S

(12) **United States Design Patent** (10) **Patent No.:** **US D836,217 S**
Beghelli (45) **Date of Patent:** **** Dec. 18, 2018**

(54) **LIGHT FIXTURE WITH A LED LIGHT UNIT**

Primary Examiner — Marcus Jackson

(71) Applicant: **Beghelli S.P.A.**,
Monteveglia-Valsamoggia BO (IT)

(74) *Attorney, Agent, or Firm* — Hedman & Costigan,
P.C.; James V. Costigan; Kathleen A. Costigan

(72) Inventor: **Gian Pietro Beghelli**,
Monteveglia-Valsamoggia (IT)

(57) **CLAIM**

(73) Assignee: **BEGHELLI S.P.A.**,
Monteveglia-Valsamoggia BO (IT)

I claim the ornamental design for a light fixture with a LED light unit, as shown and described.

(**) Term: **15 Years**

(21) Appl. No.: **29/579,779**

(22) Filed: **Oct. 3, 2016**

DESCRIPTION

(30) **Foreign Application Priority Data**

Apr. 1, 1920 (EM) 003052372-0002

(51) **LOC (11) Cl.** **26-04**

(52) **U.S. Cl.**
USPC **D26/1**

(58) **Field of Classification Search**
USPC D26/1-4; 313/313, 315, 316, 317, 318,
313/493; 315/52, 53, 56, 57, 58;
D13/180

CPC F21S 8/00; F21S 8/031; F21V 2/00; F21V
2103/003; F21Y 2103/00

See application file for complete search history.

FIG. 1 is a top perspective view of a light fixture with a LED light unit showing my new design;

FIG. 2 is a top elevational view thereof with section lines;

FIG. 3 is a top elevational view thereof;

FIG. 4 is a bottom elevational view thereof;

FIG. 5 is a right side elevational view thereof;

FIG. 6 is a left side view thereof;

FIG. 7 is a front view thereof;

FIG. 8 is a back view thereof;

FIG. 9 is an enlarged cross section view showing a section taken along line 9-9 of FIG. 2;

FIG. 10 is an enlarged cross section view showing a section taken along line 10-10 of FIG. 2; and,

FIG. 11 is an enlarged cross section view showing a section taken along line 11-11 of FIG. 2.

The portions of the light fixture with a LED light unit shown in broken lines form no part of the claimed design.

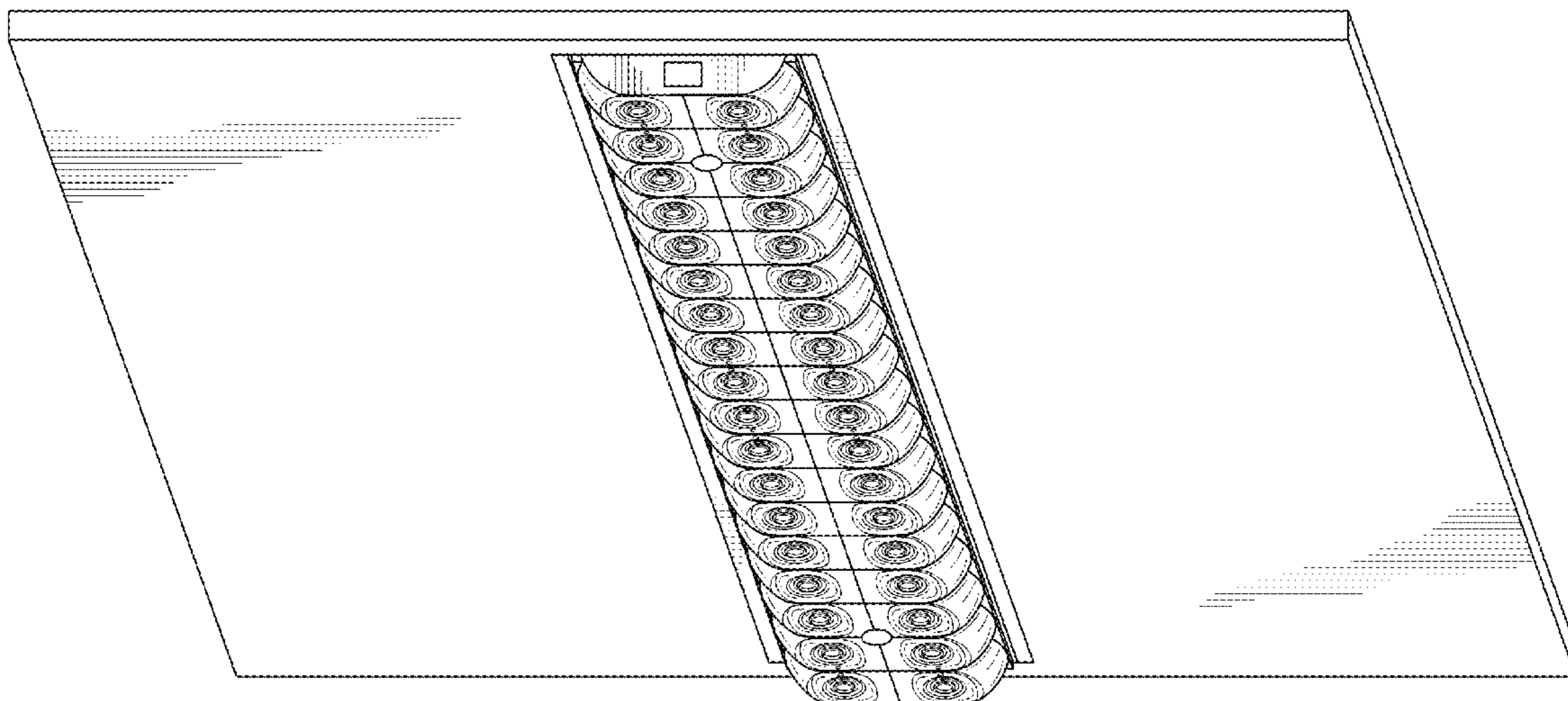
(56) **References Cited**

U.S. PATENT DOCUMENTS

D562,473	S	*	2/2008	Matsui	D26/1
D570,506	S	*	6/2008	Uemoto	D26/1
D665,105	S	*	8/2012	Betsuda	D13/180
D747,008	S	*	1/2016	Kim	D26/1

* cited by examiner

1 Claim, 10 Drawing Sheets



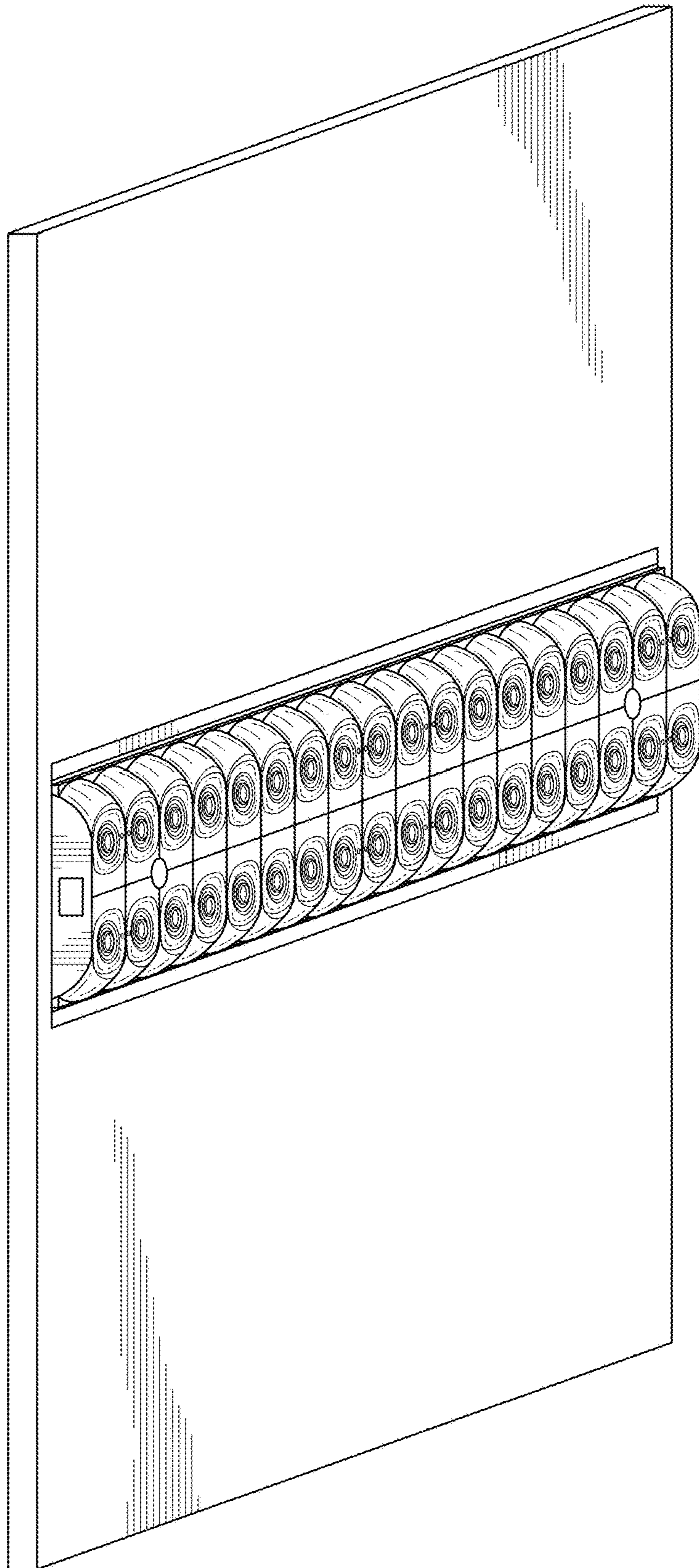


FIG. 1

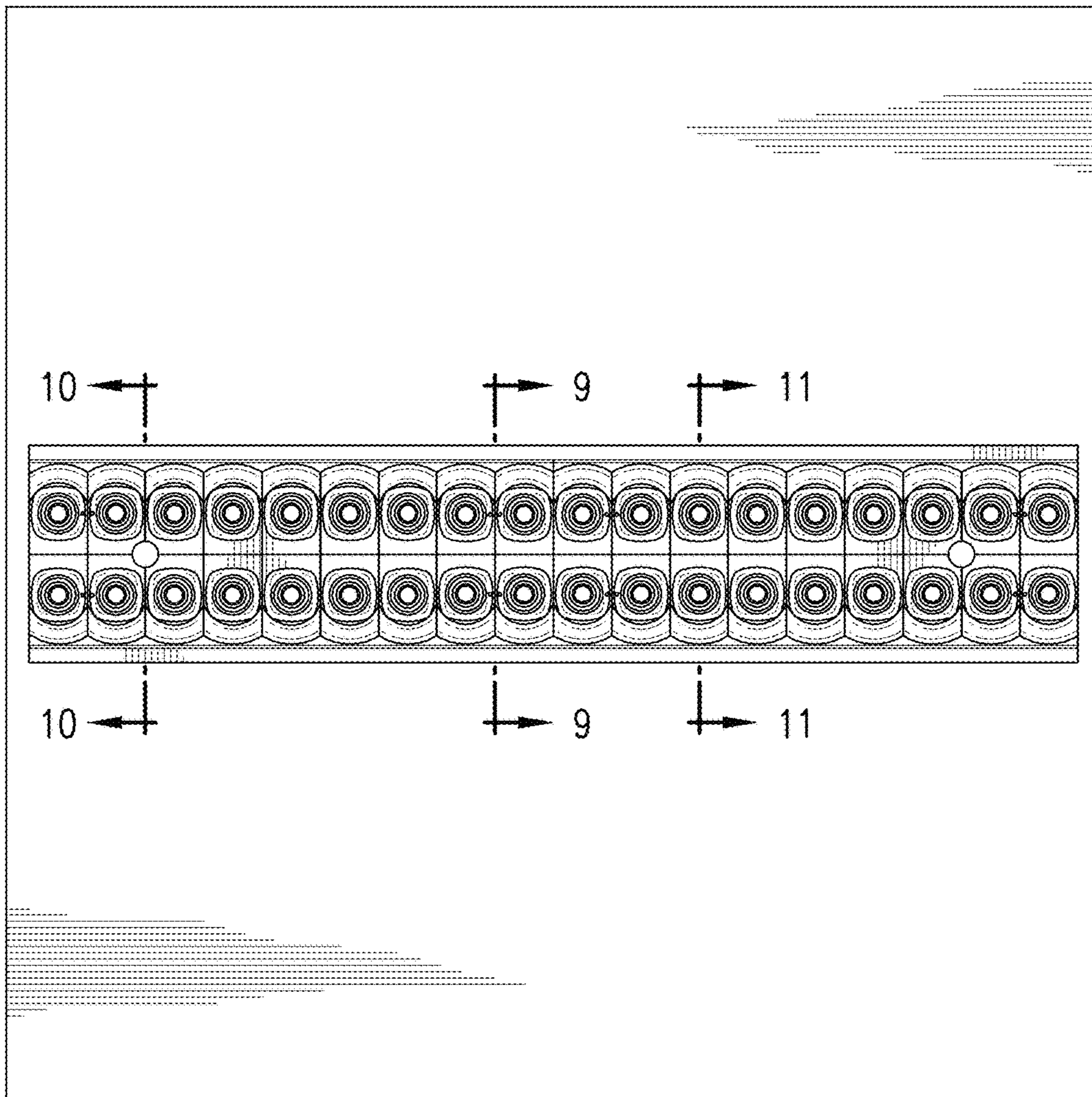


FIG.2

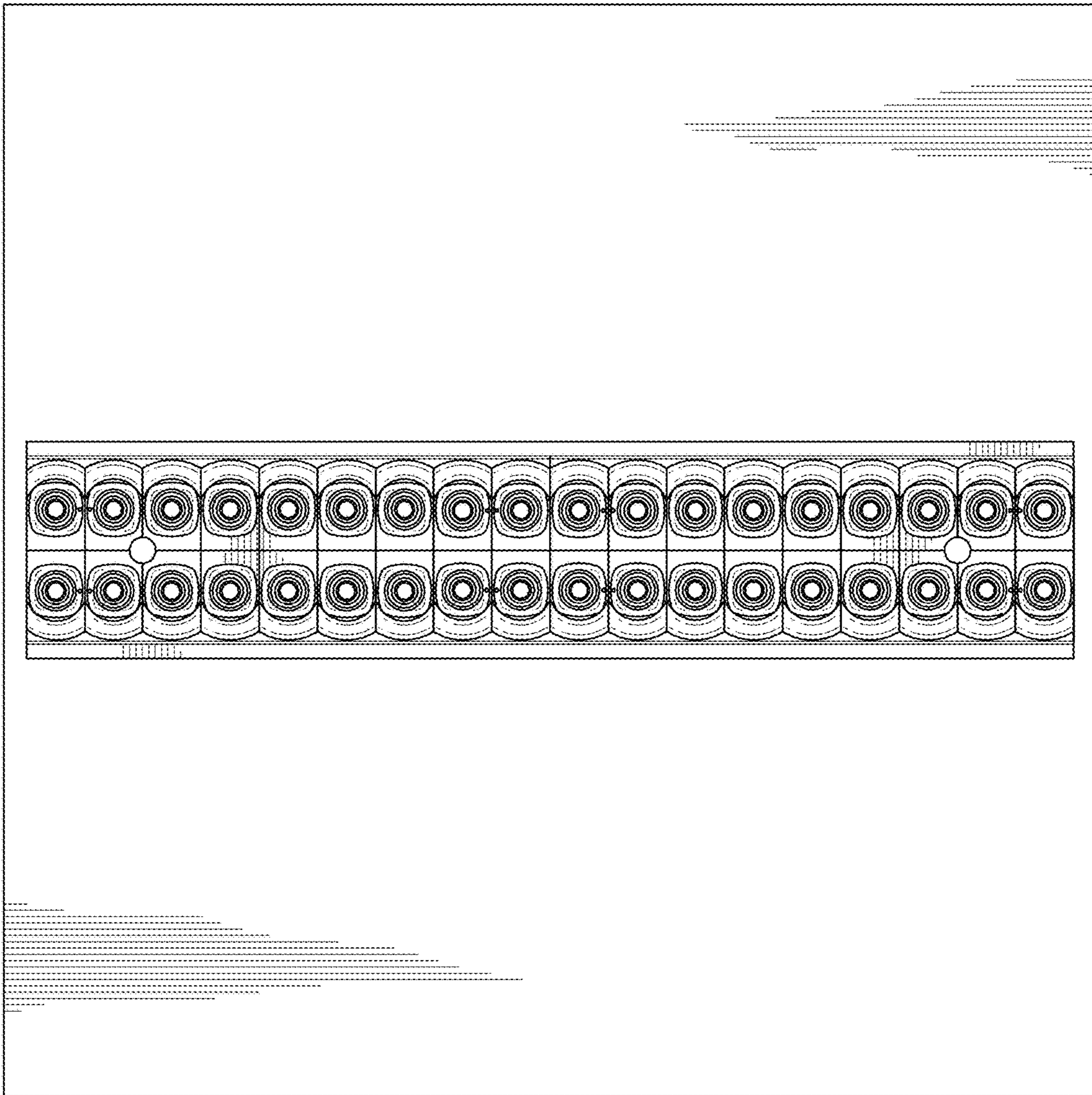


FIG. 3

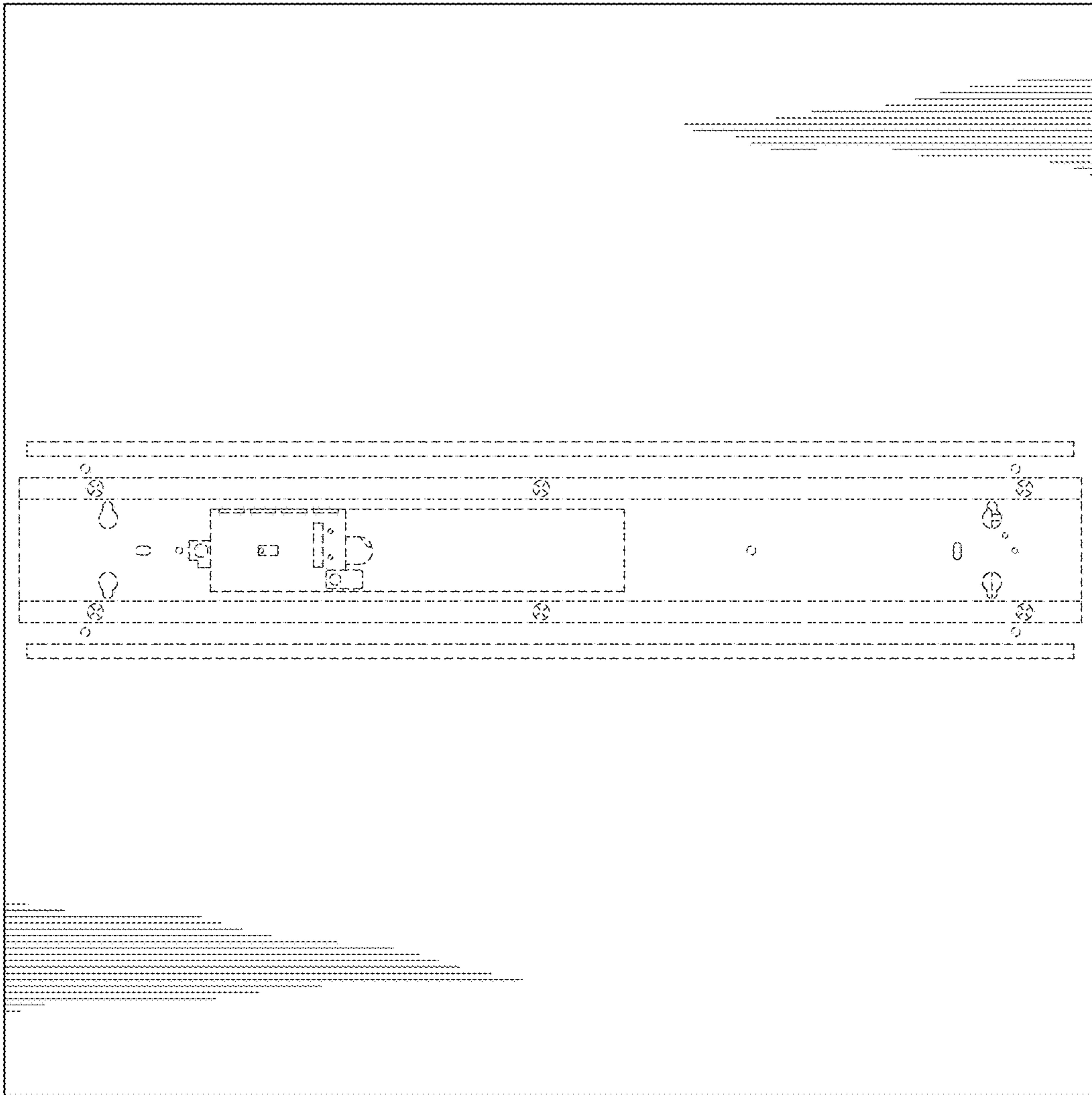


FIG.4



FIG. 5



FIG. 6



FIG.7



FIG.8

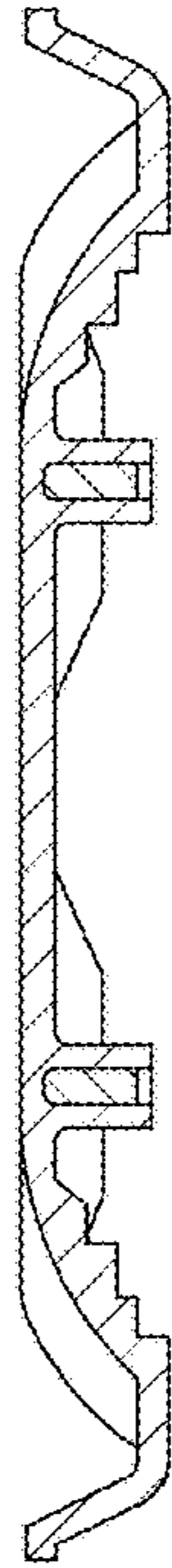


FIG. 9



FIG. 10



FIG. 11