

US00D836214S

(12) **United States Design Patent**  
**van Vlastuin**

(10) **Patent No.:** **US D836,214 S**

(45) **Date of Patent:** **\*\* Dec. 18, 2018**

(54) **BALUSTRADE SYSTEM**

(71) Applicant: **EeVenture B.V.**, Barneveld (NL)

(72) Inventor: **Cornelis van Vlastuin**, Barneveld (NL)

(73) Assignee: **EeVenture B.V.**, Barneveld (NL)

(\*\*) Term: **15 Years**

(21) Appl. No.: **29/551,547**

(22) Filed: **Jan. 14, 2016**

(30) **Foreign Application Priority Data**

Jul. 14, 2015 (EM) ..... 002736710-0001

(51) **LOC (11) Cl.** ..... **25-02**

(52) **U.S. Cl.**

USPC ..... **D25/38.1**

(58) **Field of Classification Search**

USPC ..... D25/38.1, 103, 138

CPC ..... E04B 2/7435; E04B 2/7442; E04B  
2002/7488

See application file for complete search history.

(56) **References Cited**

**U.S. PATENT DOCUMENTS**

- 2,323,625 A 7/1943 Seaman
- 3,531,824 A 10/1970 Hagendoorn et al.
- 5,200,240 A \* 4/1993 Baker ..... E04F 11/18  
256/59
- 6,029,954 A \* 2/2000 Murdaca ..... E04F 11/1834  
256/24
- 6,349,517 B1 \* 2/2002 Manley ..... E04B 2/7435  
160/135
- 6,419,209 B1 \* 7/2002 Shepherd ..... E04F 11/1851  
256/24
- D462,452 S \* 9/2002 Miranda ..... D25/136

- D511,009 S \* 10/2005 McGregor ..... D25/38.1
- 8,181,405 B2 \* 5/2012 Nash ..... E04F 11/1851  
52/127.8
- 2001/0025953 A1 \* 10/2001 Shepherd ..... E04F 11/1851  
256/24

(Continued)

**FOREIGN PATENT DOCUMENTS**

- DE 2551880 A1 5/1977
- EM 002404582-0001 \* 4/2014

(Continued)

**OTHER PUBLICATIONS**

[http://www.eestairs.com/en/709\\_groovee\\_by\\_eestairs.htm](http://www.eestairs.com/en/709_groovee_by_eestairs.htm) Retrieved  
Apr. 26, 2017.\*

(Continued)

*Primary Examiner* — Susan Bennett Hattan

*Assistant Examiner* — Leanne Was-Englehart

(74) *Attorney, Agent, or Firm* — Leydig, Voit & Mayer,  
Ltd.

(57) **CLAIM**

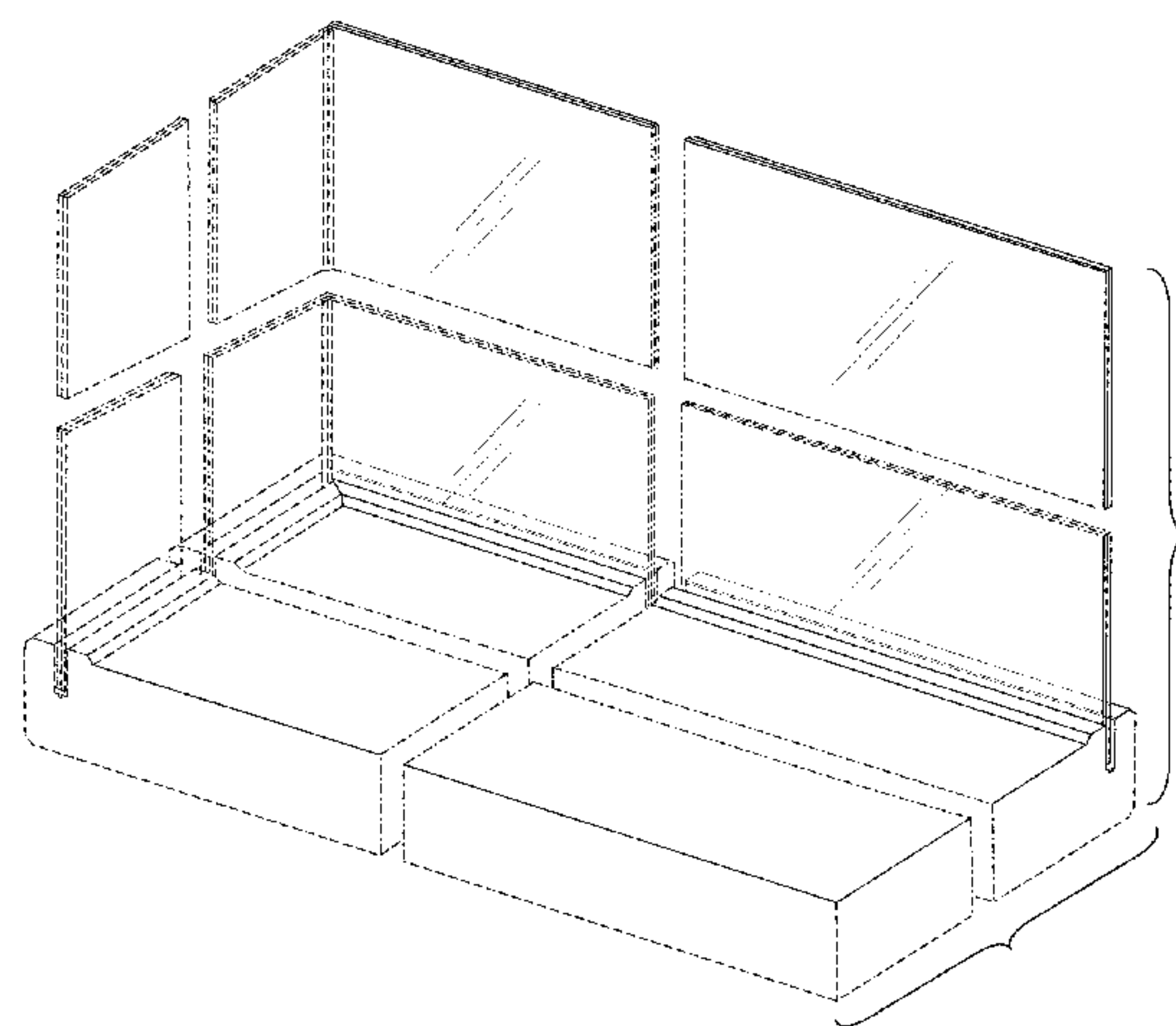
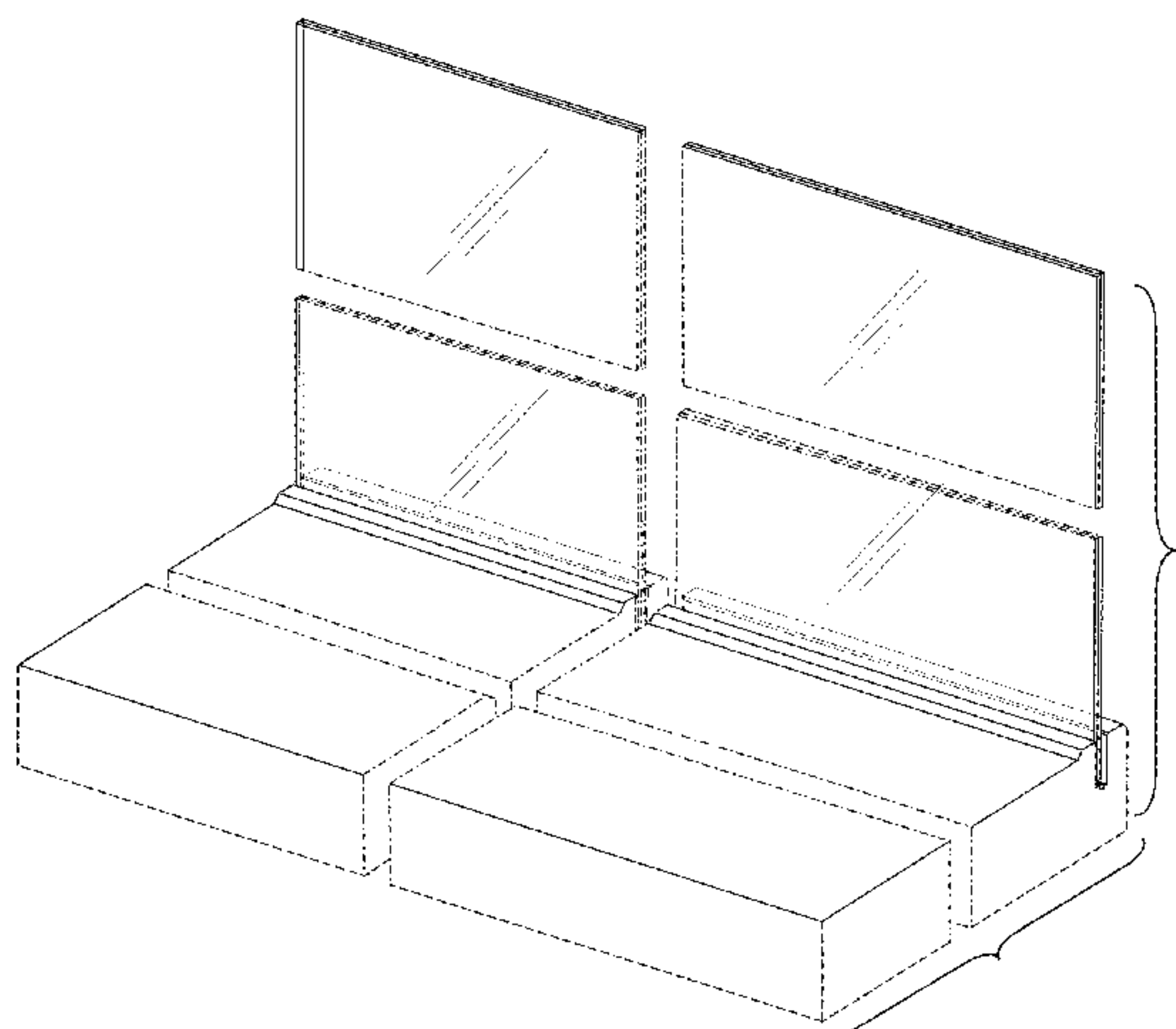
I claim the ornamental design for a balustrade system, as  
shown and described.

**DESCRIPTION**

FIG. 1 is a top perspective view of a balustrade system  
according to the present invention; and,  
FIG. 2 is a top perspective view of a balustrade system  
according to the present invention as in FIG. 1 but showing  
additional environmental structure.

Features of the balustrade system illustrated in broken lines  
in the Figures depict environmental structure shown for  
illustrative purposes only and form no part of the claimed  
design. The dot-dash-dot break lines depict the boundaries  
of the Claim. The area between the dot-dash-dot break lines  
forms no part of the claimed design. Portions of the balus-  
trade system that may be visible between the dot-dash-dot  
break lines have been removed for clarity.

**1 Claim, 2 Drawing Sheets**



(56)

**References Cited**

U.S. PATENT DOCUMENTS

2002/0152713 A1\* 10/2002 Greco ..... E04F 11/1851  
52/832

FOREIGN PATENT DOCUMENTS

EP 2358965 A1 8/2011  
WO WO 2010/064901 A1 6/2010

OTHER PUBLICATIONS

<http://www.toughglassworx.com.au/products/glass-balustrade> Available Jun. 20, 2015.\*

\* cited by examiner

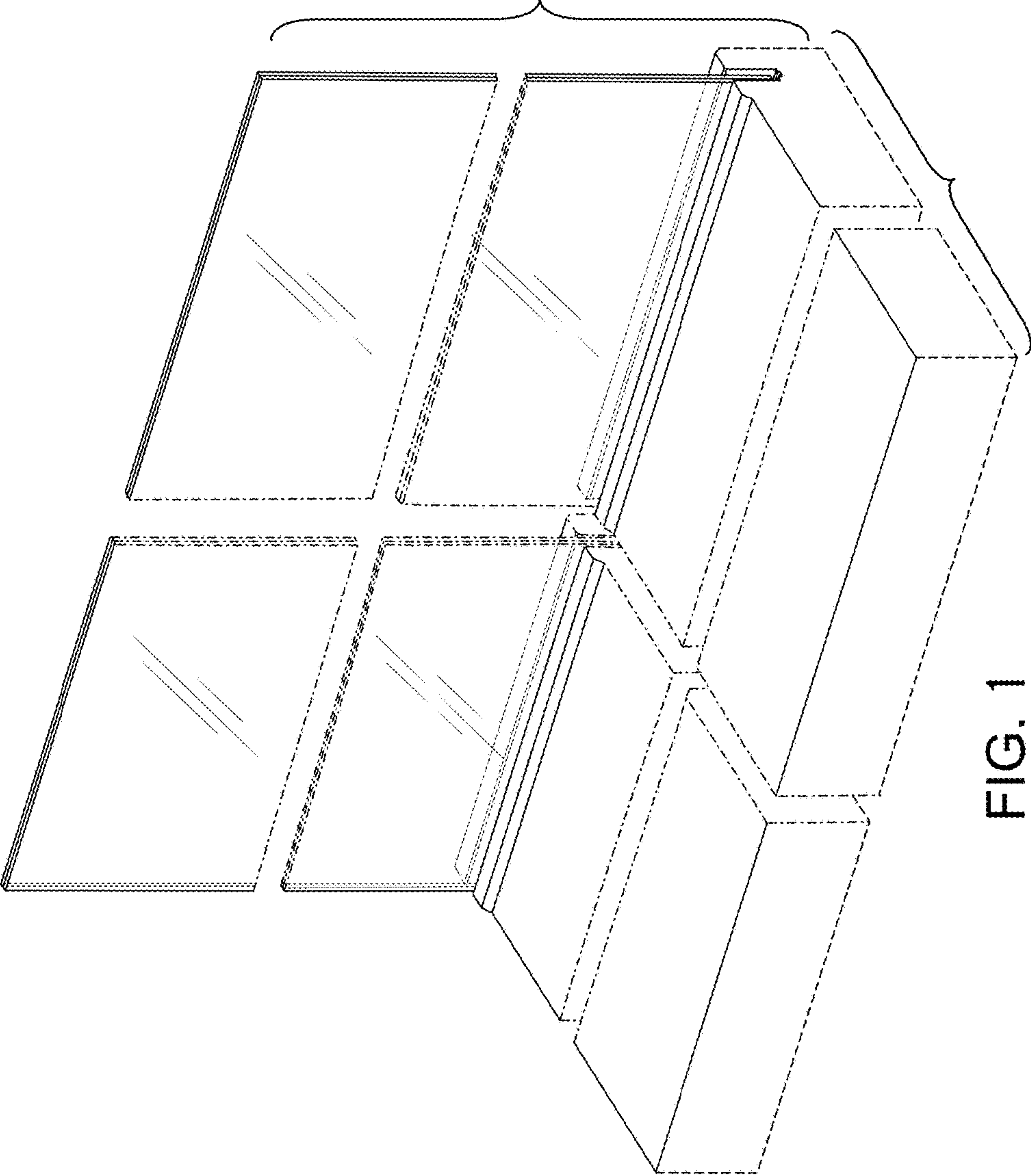


FIG. 1

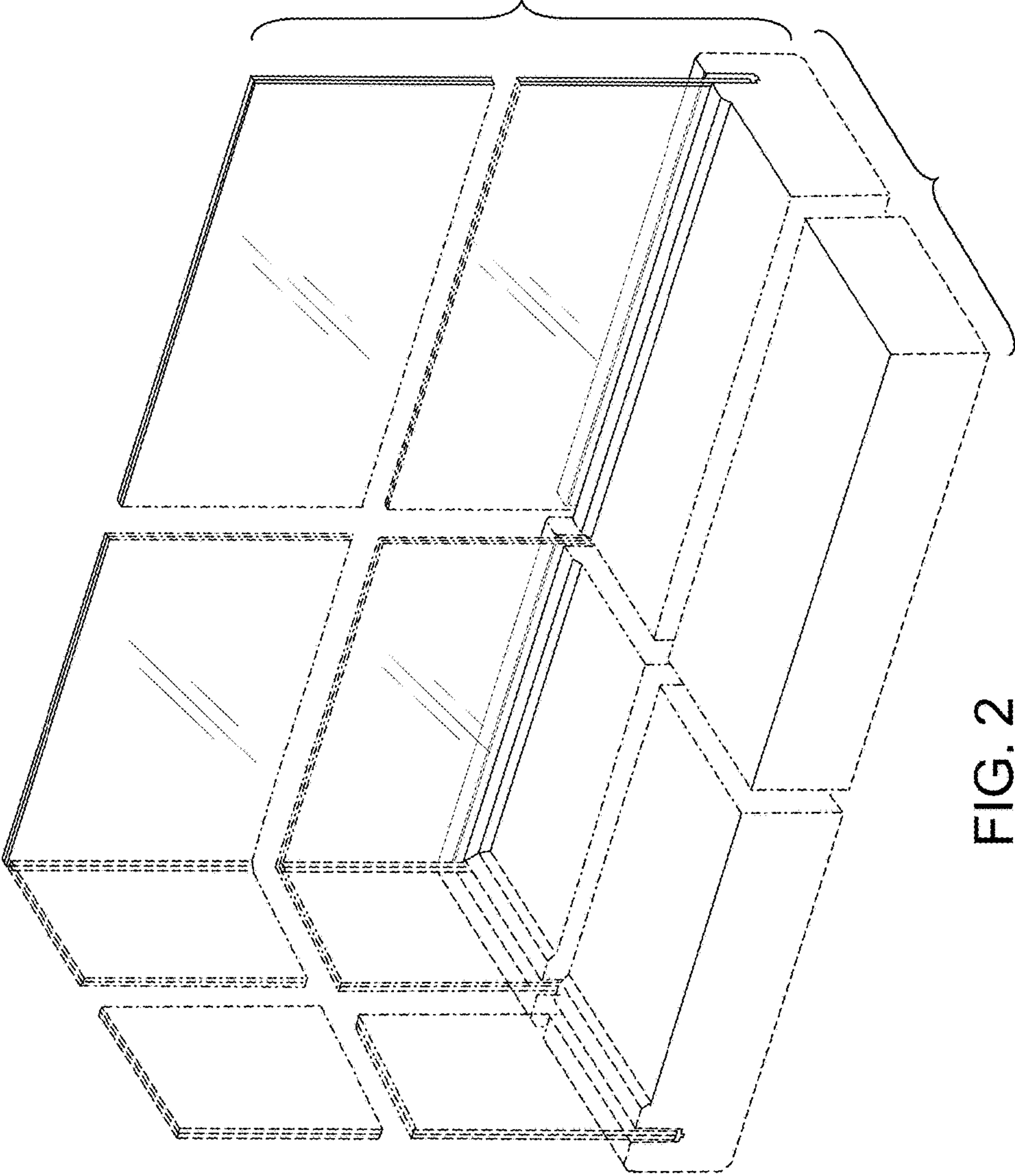


FIG. 2