



US00D836212S

(12) **United States Design Patent** (10) **Patent No.:** **US D836,212 S**
Diener (45) **Date of Patent:** **** Dec. 18, 2018**

(54) **VACUUM DEVICE**

(71) Applicant: **Christof-Herbert Diener**, Nagold (DE)

(72) Inventor: **Christof-Herbert Diener**, Nagold (DE)

(**) Term: **15 Years**

(21) Appl. No.: **29/553,563**

(22) Filed: **Feb. 2, 2016**

(30) **Foreign Application Priority Data**

Aug. 14, 2015 (EM) 002754770-0002

(51) **LOC (11) Cl.** **24-01**

(52) **U.S. Cl.**
USPC **D24/232; D15/144.1**

(58) **Field of Classification Search**
USPC D24/186, 107, 216, 231, 232; D15/136,
D15/139, 199, 144.1; D13/182
CPC B01J 2219/0894; F26B 5/04; H01J
37/32449
See application file for complete search history.

(56) **References Cited**

U.S. PATENT DOCUMENTS

D202,466 S * 10/1965 Hayes D24/216
5,289,641 A * 3/1994 Balamuta F26B 5/04
34/74
5,671,546 A * 9/1997 Haala F26B 5/04
34/164
5,948,704 A * 9/1999 Benjamin H01J 37/20
118/723 R

6,405,423 B1 * 6/2002 Donde H01J 37/16
29/428
6,461,287 B1 * 10/2002 Glater F26B 5/04
159/DIG. 11
D645,975 S * 9/2011 Barkey D24/232
2009/0288773 A1 * 11/2009 Bolden, II H01J 37/3244
156/345.33
2011/0031214 A1 * 2/2011 Kim H01J 37/3244
216/59
2017/0122663 A1 * 5/2017 Diener H01J 37/32458

* cited by examiner

Primary Examiner — Anhdao Doan

(74) *Attorney, Agent, or Firm* — Hackler Daghighian
Martino & Novak

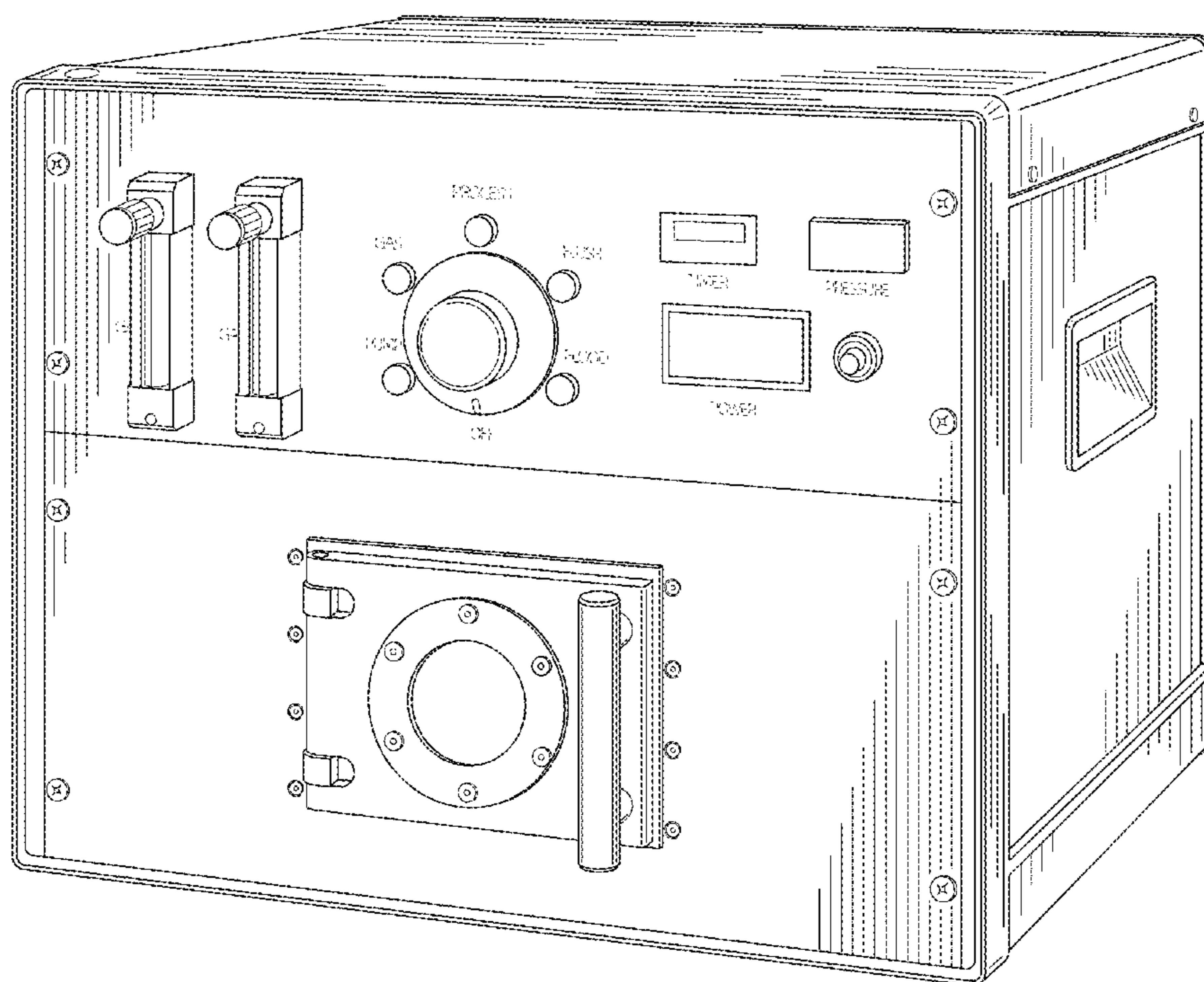
(57) **CLAIM**

The ornamental design for a vacuum device, as shown and described.

DESCRIPTION

FIG. 1 is a perspective view of a vacuum device embodying my new design;
FIG. 2 is a front elevation view thereof;
FIG. 3 is a rear elevation view thereof;
FIG. 4 is a left side elevation view thereof.
FIG. 5 is a right side elevation view thereof;
FIG. 6 is a top plan view thereof; and,
FIG. 7 is a bottom plan view thereof.
The broken lines illustrate portions of the vacuum device that form no part of the claimed design.

1 Claim, 7 Drawing Sheets



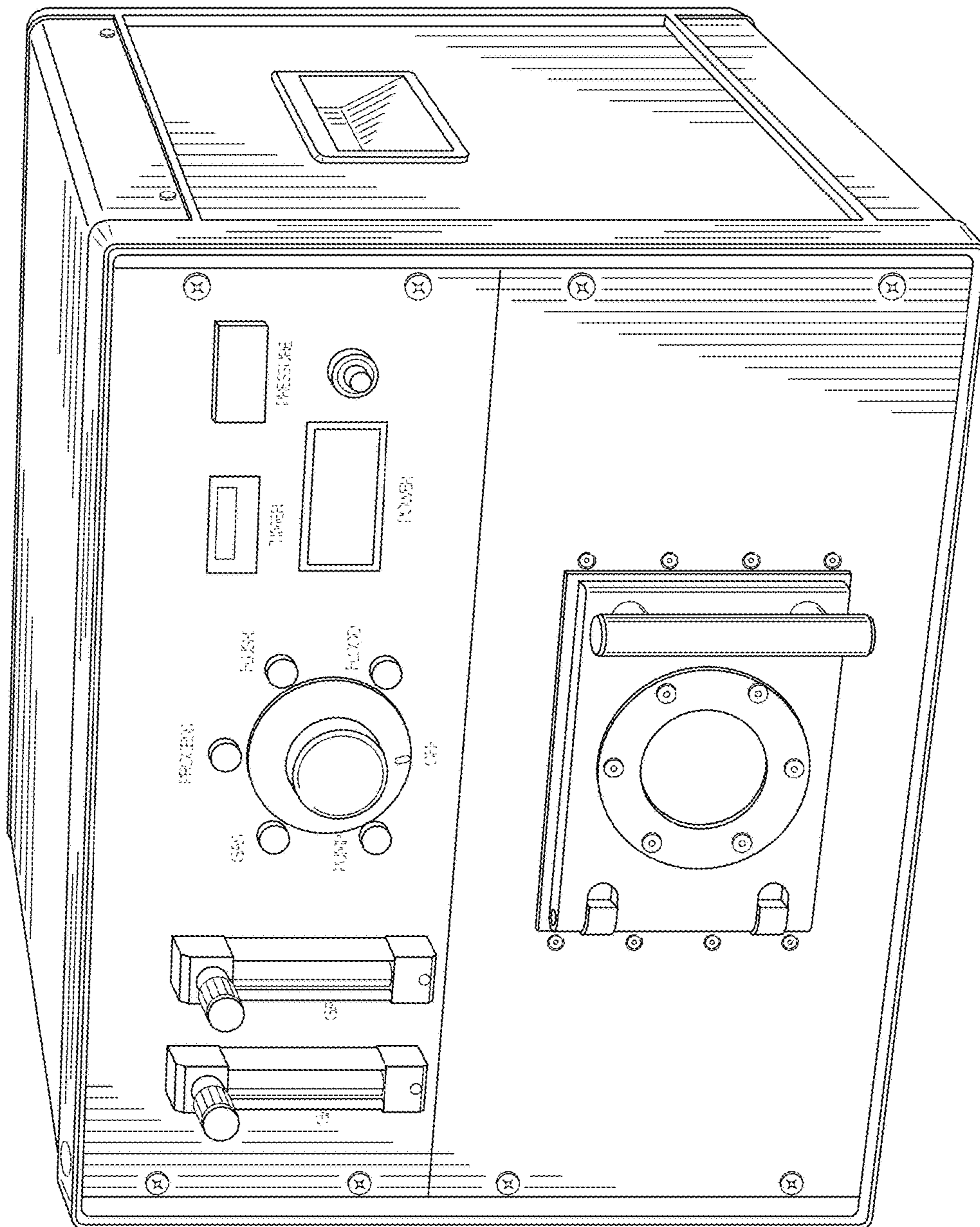


FIG. 1

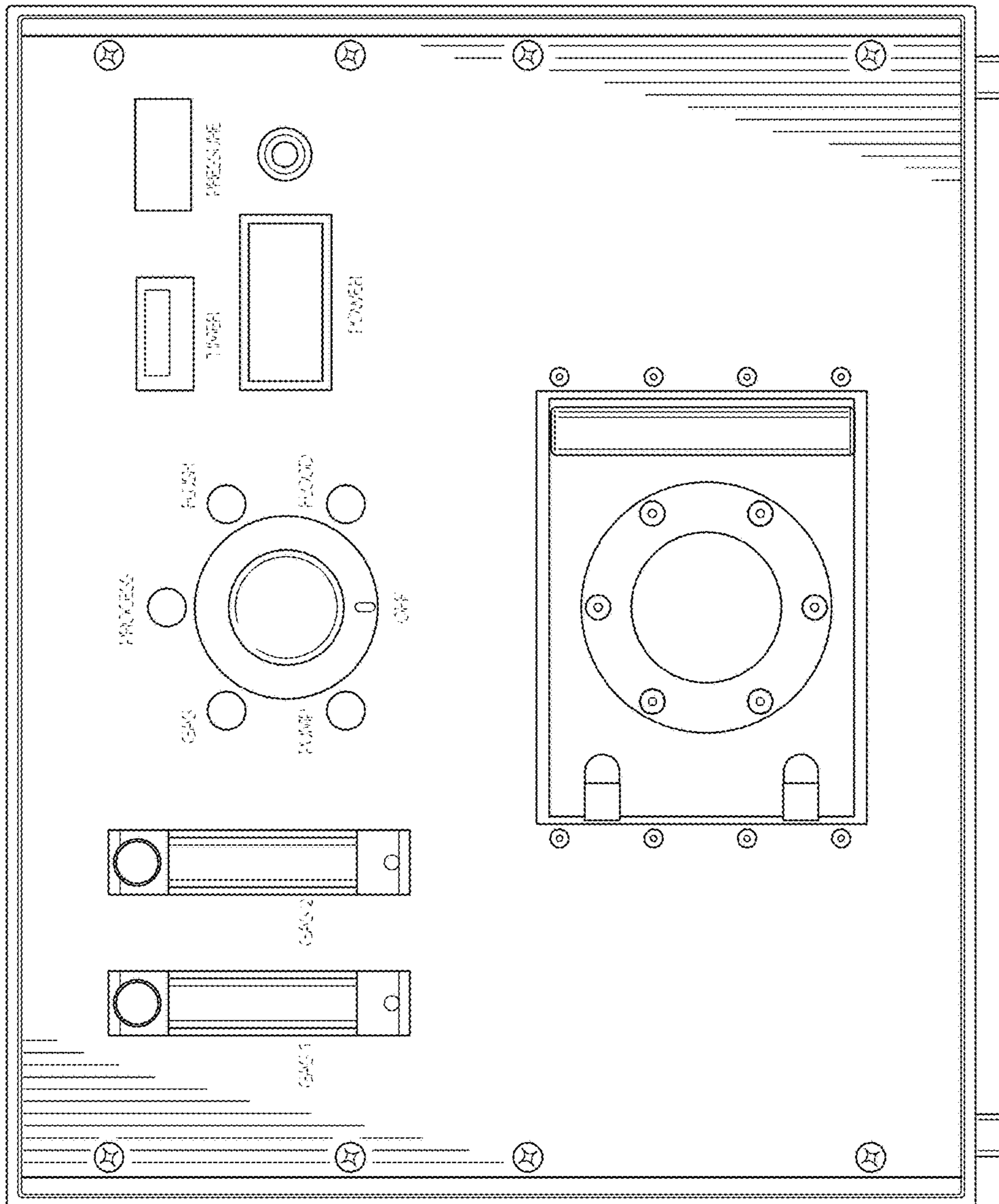


FIG. 2

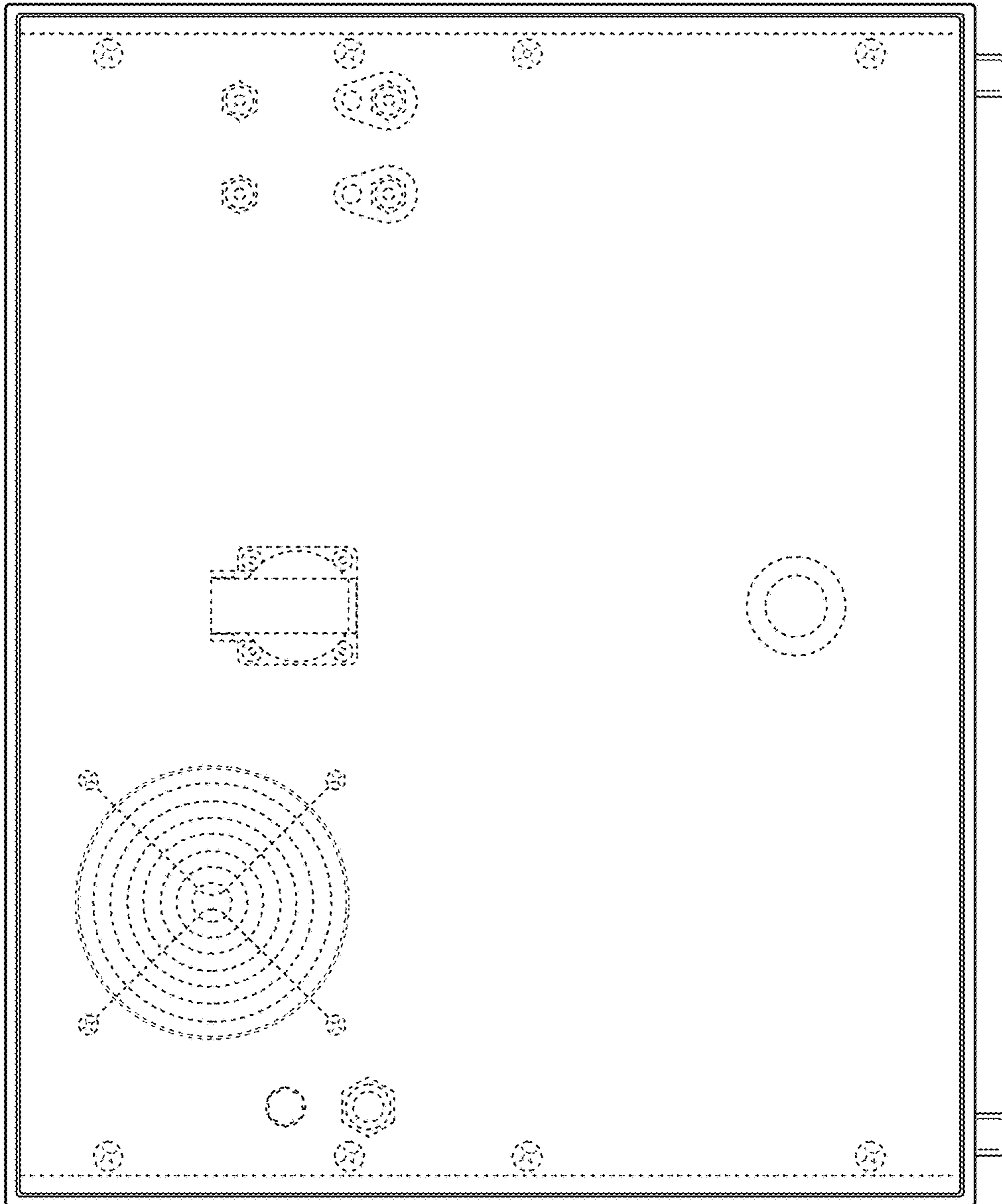


FIG. 3

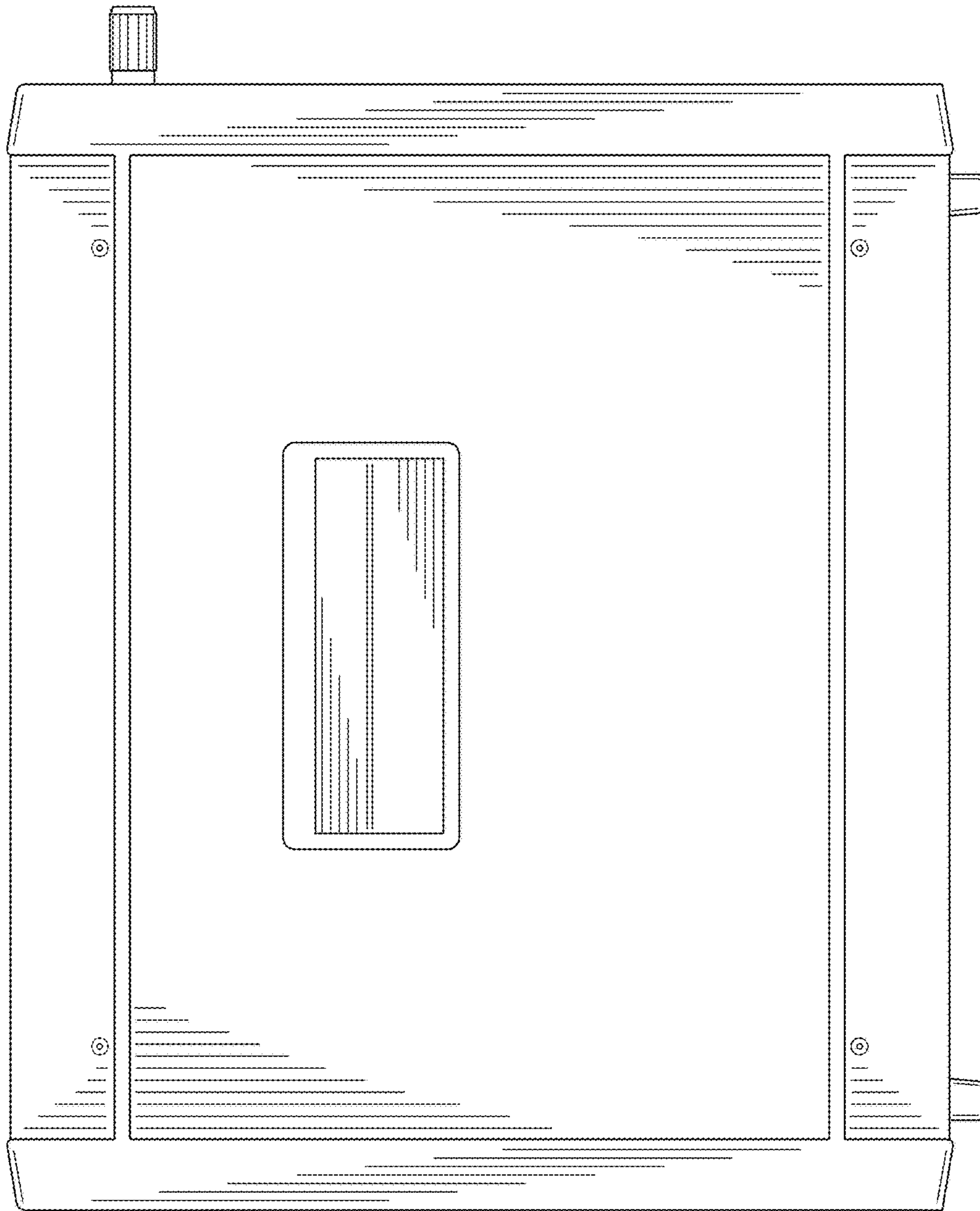


FIG. 4

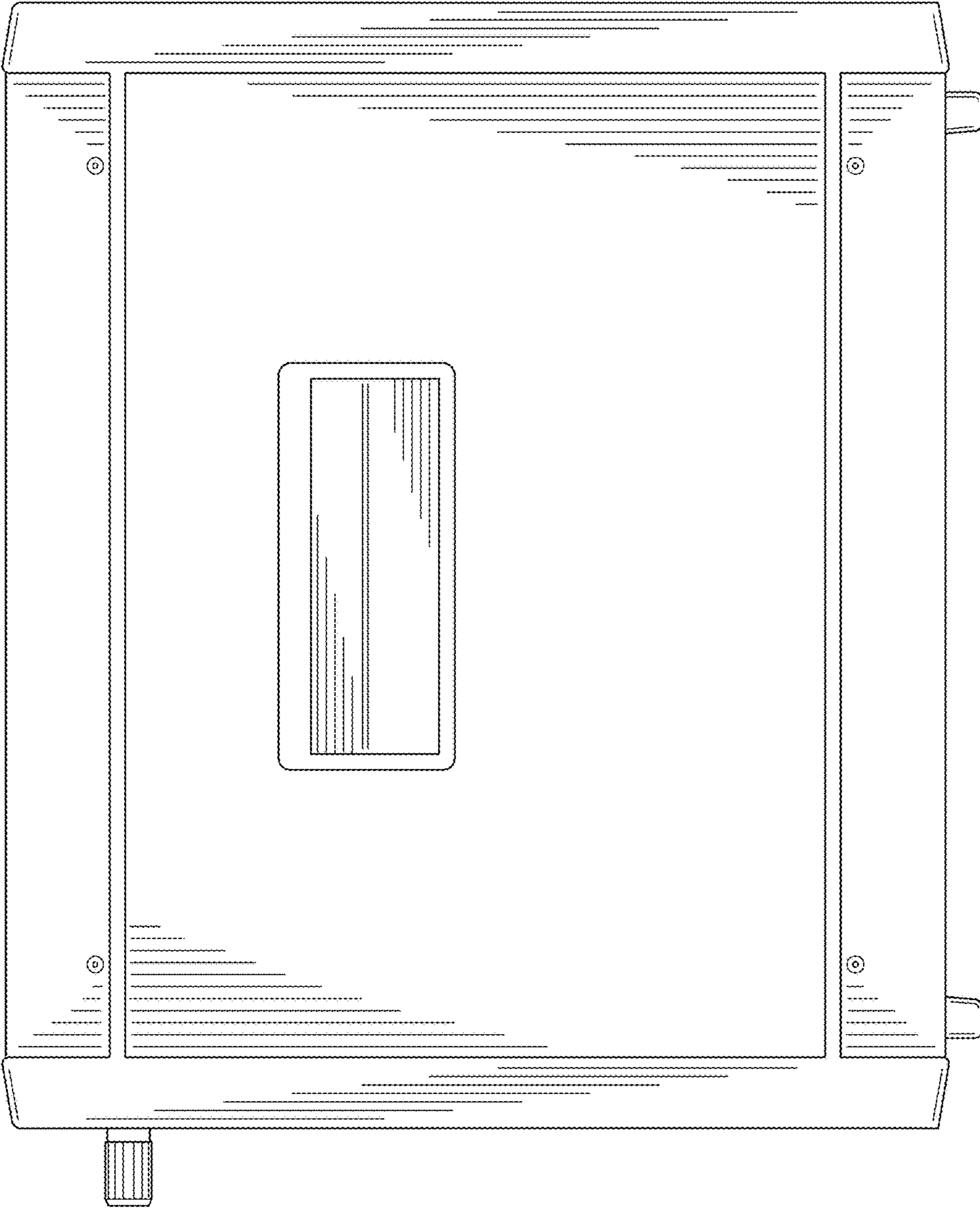


FIG. 5

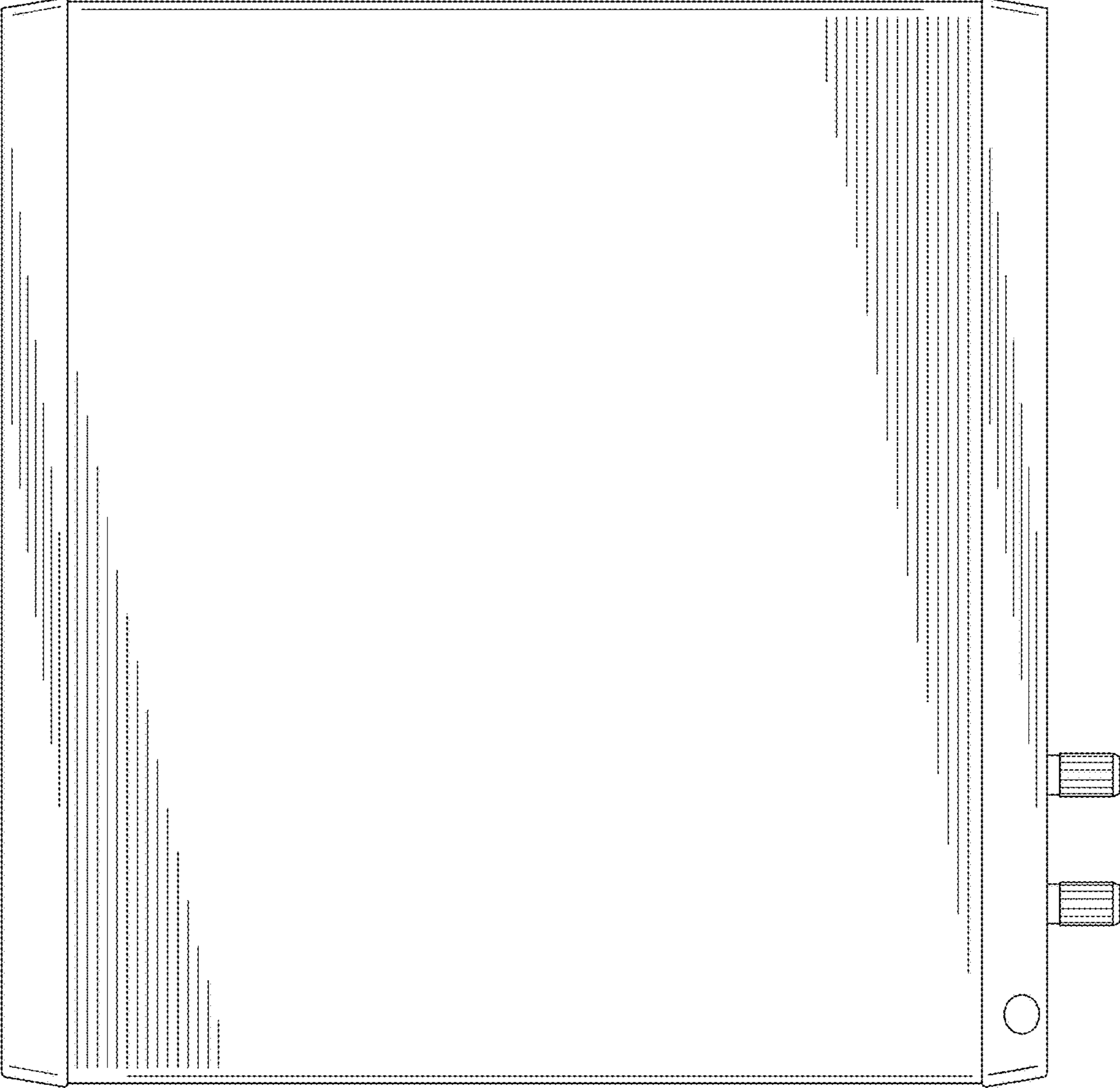


FIG. 6

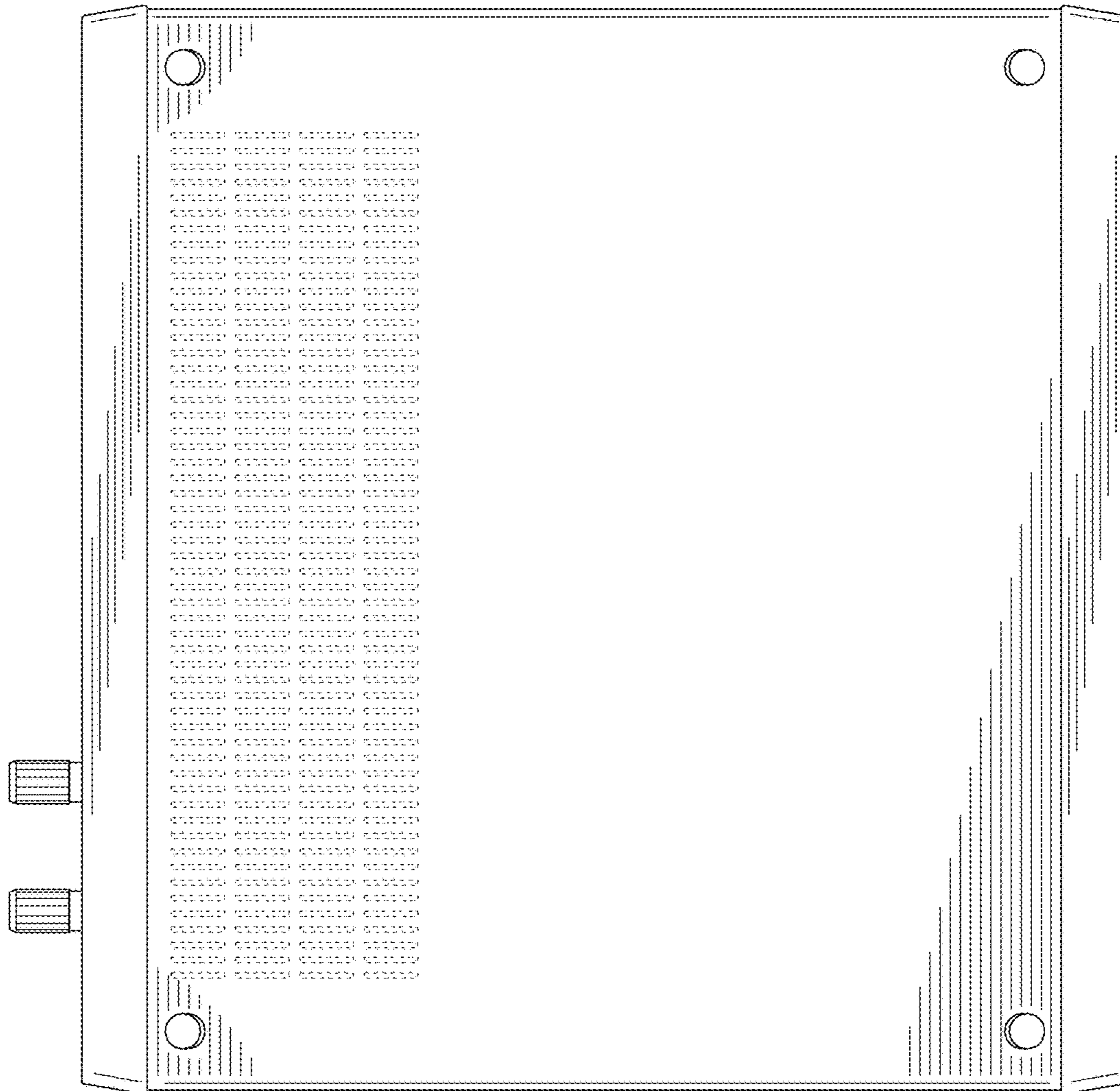


FIG. 7