



US00D836210S

(12) **United States Design Patent**  
**Honmou et al.**

(10) **Patent No.:** **US D836,210 S**  
(45) **Date of Patent:** **\*\* Dec. 18, 2018**

- (54) **CELL PRESERVATION CONTAINER**
- (71) Applicants: **Sapporo Medical University**,  
Sapporo-shi, Hokkaido (JP); **NIPRO CORPORATION**, Osaka-shi, Osaka (JP)
- (72) Inventors: **Osamu Honmou**, Sapporo (JP); **Tomohiro Uchimura**, Osaka (JP); **Kei Matsuo**, Osaka (JP); **Yoshihiro Yoshikawa**, Osaka (JP); **Yoshihito Yamagata**, Osaka (JP); **Masayuki Ishigami**, Osaka (JP)
- (73) Assignees: **NIPRO CORPORATION**, Osaka-Shi, Osaka (JP); **SAPPORO MEDICAL UNIVERSITY**, Sapporo-Shi, Hokkaido (JP)

D596,495 S *	7/2009	Dodd	.....	D9/415
D618,820 S *	6/2010	Wilson	.....	D24/227
D637,737 S *	5/2011	Wilson	.....	D24/230
D669,597 S *	10/2012	Cavada	.....	D24/216
D672,882 S *	12/2012	Wiltsie	.....	D24/224
D765,519 S *	9/2016	Discko	.....	D9/707
D778,459 S *	2/2017	Tajima	.....	D24/224
D787,341 S *	5/2017	Schultz	.....	D9/707
D792,981 S *	7/2017	Tajima	.....	D24/224
D814,652 S *	4/2018	Buxton	.....	D24/224
2009/0129978 A1 *	5/2009	Wilson	.....	C12Q 1/6813 422/400

(\*\*) Term: **15 Years**

(21) Appl. No.: **29/610,745**

(22) Filed: **Jul. 14, 2017**

(51) **LOC (11) Cl.** ..... **24-02**

(52) **U.S. Cl.**  
USPC ..... **D24/224**

(58) **Field of Classification Search**  
USPC ..... D24/107, 121, 133, 216, 222-230, 233;  
D9/523, 547, 549, 550, 724, 732  
CPC ..... B01F 13/0025; B01J 2219/00292; B01J  
2220/64; B01L 3/14; B01L 3/021-3/0237;  
B01L 3/508-3/50825; B01L 3/52-3/523;  
G01F 11/02  
See application file for complete search history.

(56) **References Cited**  
U.S. PATENT DOCUMENTS

D367,714 S *	3/1996	Pennicook	.....	D24/223
D594,752 S *	6/2009	Medema	.....	D9/707

OTHER PUBLICATIONS

Teflon FEP Overwrap Bags—Welch Fluorocarbon Welch Fluorocarbon. [online] Published Nov. 28, 2011. Retrieved Jul. 16, 2018 from URL: <http://www.welchfluorocarbon.com/custom-manufacturing/standard-products/overwrap-bags/>.\*

\* cited by examiner

*Primary Examiner* — Vy N Koenig  
(74) *Attorney, Agent, or Firm* — Birch, Stewart, Kolasch & Birch, LLP

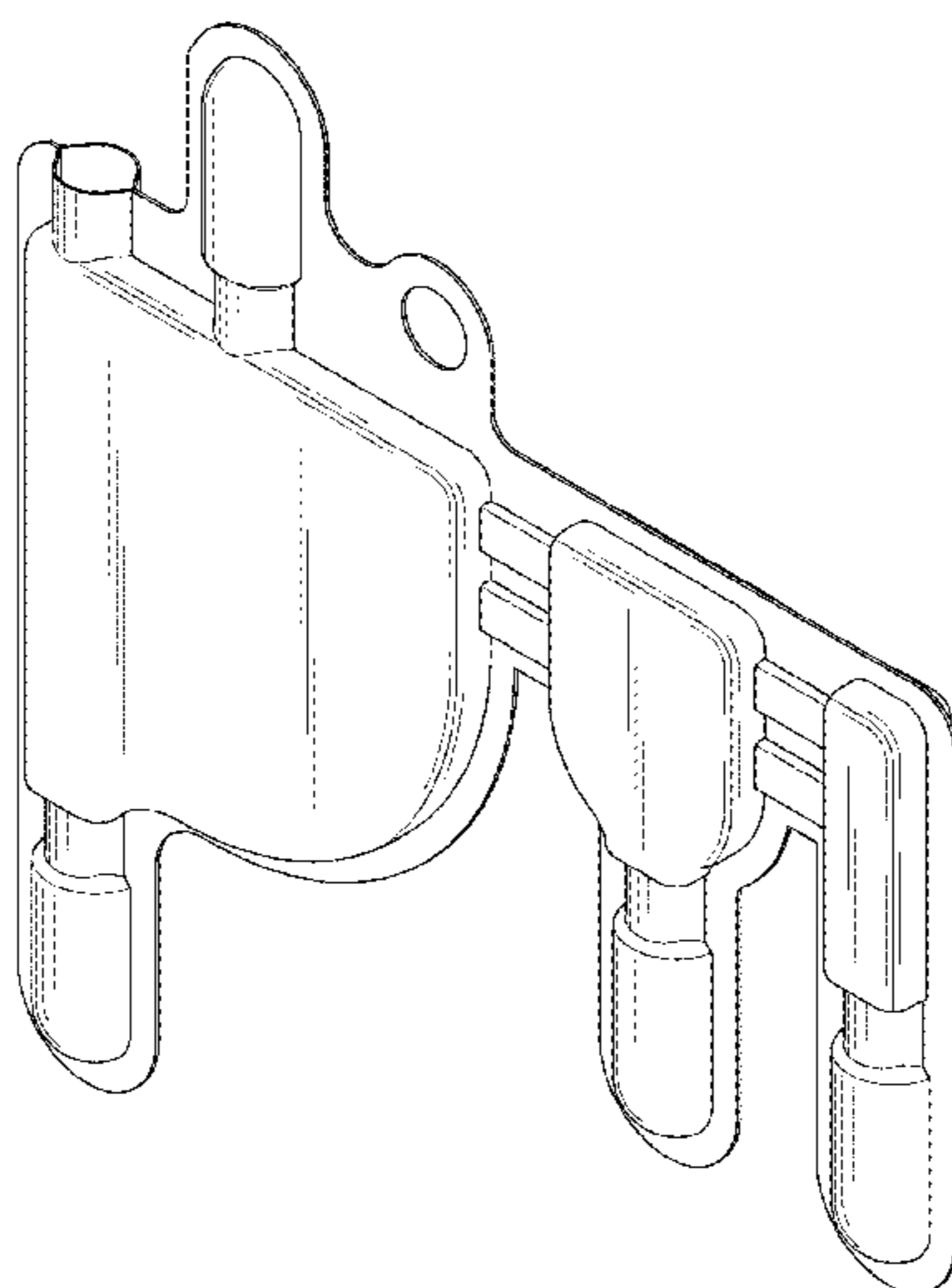
(57) **CLAIM**

The ornamental design for a cell preservation container, as shown and described.

**DESCRIPTION**

FIG. 1 is a perspective view of a cell preservation container; FIG. 2 is a front view thereof, the opposite side being a mirror image of the side shown herein; FIG. 3 is a left side view thereof; FIG. 4 is a right side view thereof; FIG. 5 is a top view thereof; and, FIG. 6 is a bottom view thereof.

**1 Claim, 6 Drawing Sheets**



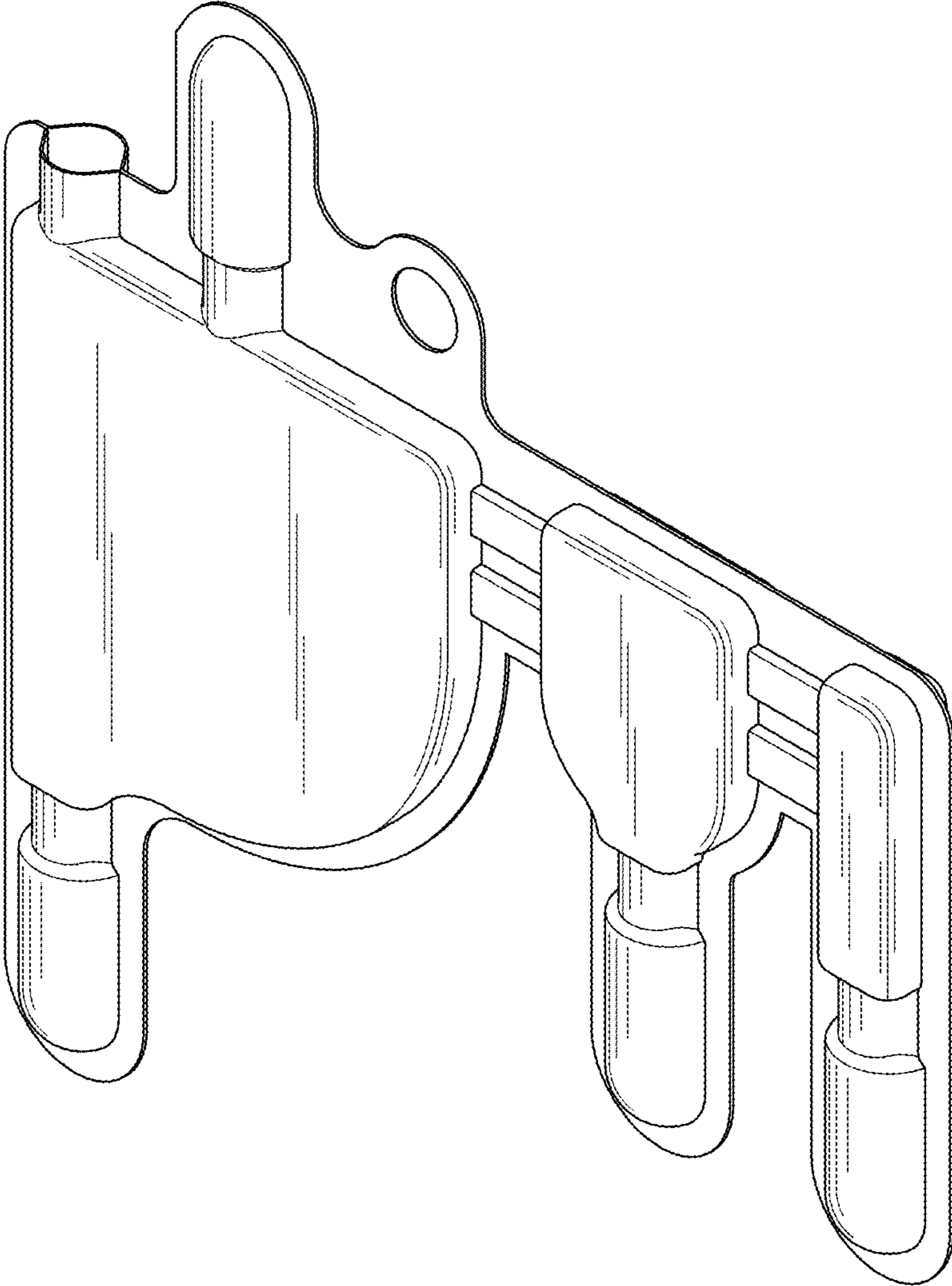


FIG. 1

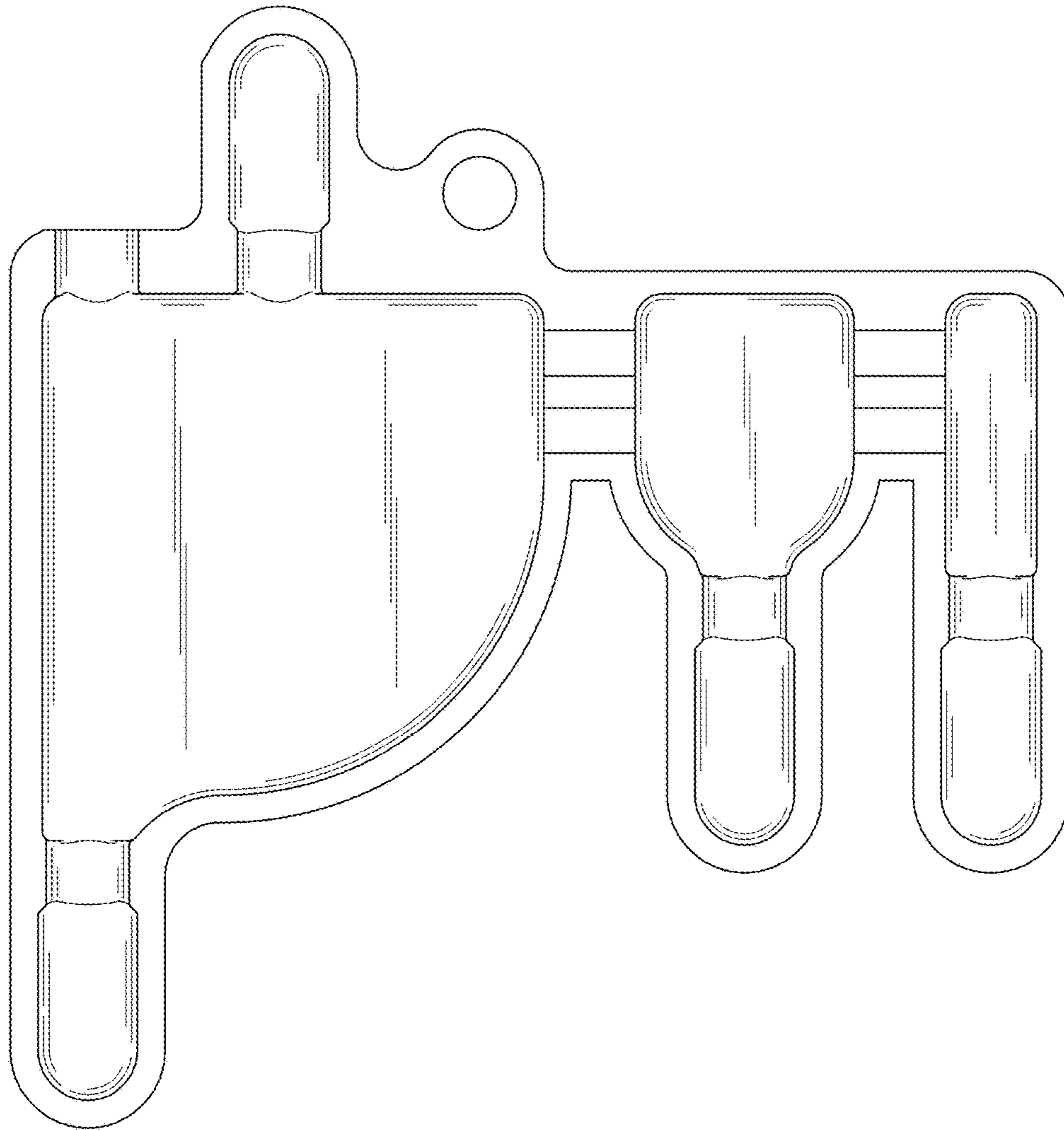


FIG.2

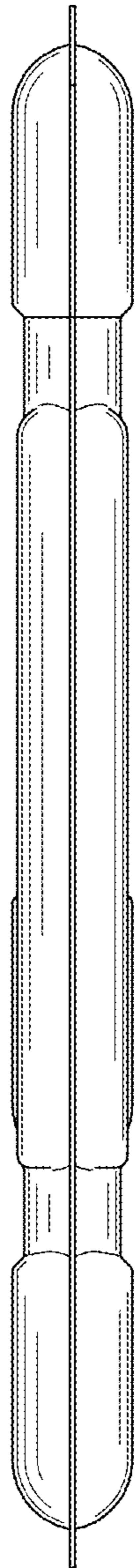


FIG.3

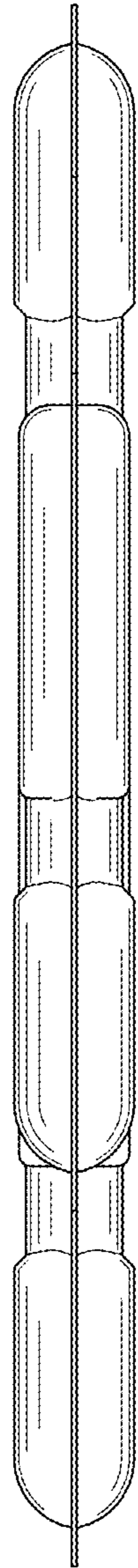


FIG.4

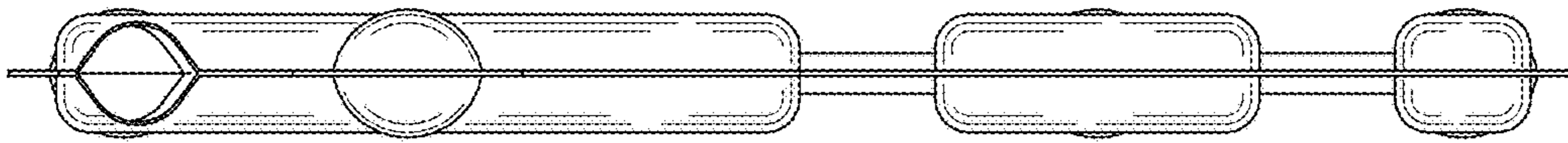


FIG.5

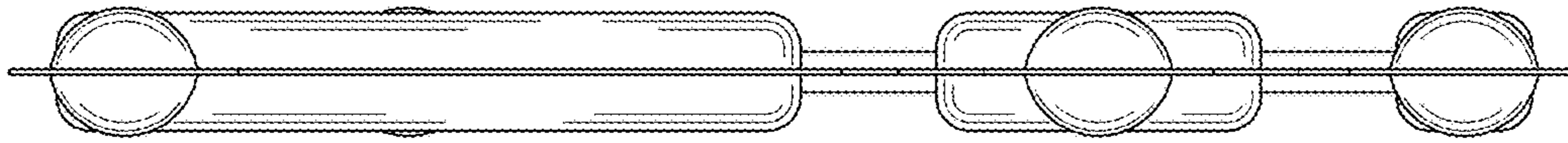


FIG.6