

US00D836209S

(12) **United States Design Patent**  
**Ling**

(10) **Patent No.:** **US D836,209 S**

(45) **Date of Patent:** **\*\* Dec. 18, 2018**

(54) **DETECTION DEVICE FOR MEDICAL PURPOSES**

(71) Applicant: **ASSURE TECH. (HANGZHOU) CO., LTD.**, Hangzhou (CN)

(72) Inventor: **Shisheng Ling**, Hangzhou (CN)

(73) Assignee: **ASSURE TECH. (HANGZHOU) CO., LTD.**, Hangzhou (CN)

(\*\*) Term: **14 Years**

(21) Appl. No.: **29/514,809**

(22) Filed: **Jan. 16, 2015**

(51) **LOC (11) Cl.** ..... **24-02**

(52) **U.S. Cl.**  
USPC ..... **D24/223**

(58) **Field of Classification Search**  
USPC ..... D24/169, 186, 216, 223–226, 121–122, D24/107; D10/78, 81; 436/164–165, 436/510, 514, 518; 422/68.1, 400, 401, 422/402, 403, 420, 547, 408, 412, 417, 422/537, 411, 404, 527, 562, 550; 435/7.1, 7.9; 600/583–584; 250/576; 73/864.72; 206/219  
CPC .... G01N 21/274; G01N 33/558; G01N 31/22; G01N 33/689; G01N 33/54366; G01N 33/525; G01N 21/8483; B01L 3/5023; B01L 2400/0406; B01L 3/502; B01J 19/0046; A61K 38/00; A61B 5/1411; A61B 10/0051; A61B 10/0096; A61B 10/0045

See application file for complete search history.

(56) **References Cited**

**U.S. PATENT DOCUMENTS**

D274,752 S \* 7/1984 Byrne ..... D24/223  
D275,789 S \* 10/1984 Byrne ..... D24/223  
D283,640 S \* 4/1986 Grimes ..... D24/223

D297,166 S \* 8/1988 Hollar ..... D24/226  
D306,645 S \* 3/1990 Parker ..... D24/223  
D360,950 S \* 8/1995 Mazurek ..... D24/223  
D380,837 S \* 7/1997 Pearson ..... D24/223  
5,785,044 A \* 7/1998 Meador ..... A61B 10/007  
422/547  
D404,812 S \* 1/1999 Cipkowski ..... D24/107  
5,916,815 A \* 6/1999 Lappe ..... B01L 3/502  
422/408  
D414,270 S \* 9/1999 Escoffier ..... D24/216  
D414,561 S \* 9/1999 Escoffier ..... D24/216  
5,976,895 A \* 11/1999 Cipkowski ..... A61B 10/007  
422/412  
D423,110 S \* 4/2000 Cipkowski ..... D24/223  
D430,303 S \* 8/2000 Cipkowski ..... D24/225  
D431,867 S \* 10/2000 Maynard ..... D24/216

(Continued)

*Primary Examiner* — Ian Simmons

*Assistant Examiner* — Samantha Q. Lawrence

(74) *Attorney, Agent, or Firm* — Global IP Services; Tianhua Gu

(57) **CLAIM**

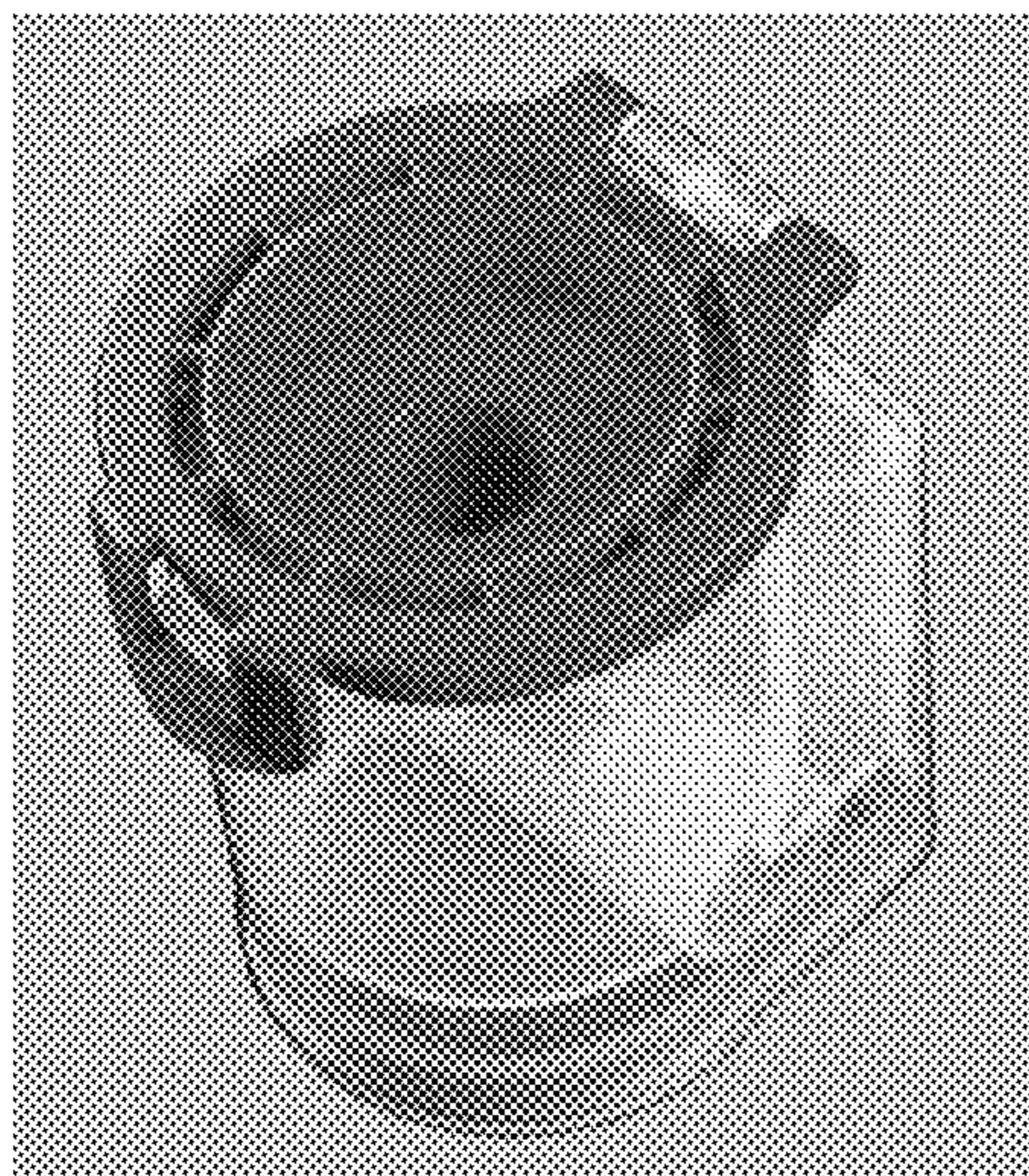
The ornamental design for a detection device for medical purposes, as shown and described.

**DESCRIPTION**

The file of this patent contains at least one photograph executed in color. Copies of this patent with color photographs will be provided by the Office upon request and payment of the necessary fee.

FIG. 1 is a front view of the detection device for medical purposes showing my new design;  
FIG. 2 is a right side view thereof;  
FIG. 3 is a left side view thereof;  
FIG. 4 is a back view thereof;  
FIG. 5 is a top view thereof;  
FIG. 6 is a bottom view thereof;  
FIG. 7 is a back perspective view thereof; and,  
FIG. 8 is a bottom side perspective view thereof.

**1 Claim, 4 Drawing Sheets**  
**(4 of 4 Drawing Sheet(s) Filed in Color)**





(56)

References Cited

U.S. PATENT DOCUMENTS

6,241,689 B1 *	6/2001	Chard	.....	B01L 3/5023	7,282,181 B2 *	10/2007	Hudak	.....	A61B 10/0051
				600/584					422/527
6,277,646 B1 *	8/2001	Guirguis	.....	A61B 10/007	7,300,633 B2 *	11/2007	Hudak	.....	B01L 3/502
				422/417					422/537
6,300,142 B1 *	10/2001	Andrewes	.....	B01L 3/502	7,438,852 B2 *	10/2008	Tung	.....	A61B 10/007
				422/417					422/562
6,403,383 B1 *	6/2002	Casterlin	.....	A61B 10/007	7,517,495 B2 *	4/2009	Wu	.....	A61B 10/0045
				422/412					422/550
6,406,922 B2 *	6/2002	Casterlin	.....	A61B 10/007	7,544,324 B2 *	6/2009	Tung	.....	A61B 10/0045
				422/537					422/504
6,464,939 B1 *	10/2002	Bachand	.....	A61B 10/0051	7,550,112 B2 *	6/2009	Gou	.....	A61B 10/007
				422/411					422/562
6,576,193 B1 *	6/2003	Cui	.....	B01L 3/502	7,560,272 B2 *	7/2009	Ramsey	.....	A61B 10/007
				422/417					422/537
6,669,908 B2 *	12/2003	Weyker	.....	A61B 10/007	7,758,815 B2 *	7/2010	Hartselle	.....	A61B 10/0096
				422/412					422/400
D497,209 S *	10/2004	Ukon	.....	D24/216	D706,945 S *	6/2014	Chan	.....	D24/216
6,951,631 B1 *	10/2005	Catt	.....	G01N 21/8483	D711,541 S *	8/2014	Hafellner	.....	D24/169
				422/404	8,813,954 B2 *	8/2014	Newby	.....	B01L 3/502
7,114,403 B2 *	10/2006	Wu	.....	A61B 10/0051					206/219
				73/864.72	8,871,155 B2 *	10/2014	Wu	.....	B01L 3/5023
7,241,417 B2 *	7/2007	Lee	.....	B01L 3/5023					422/400
				422/408	D722,703 S *	2/2015	Fuller	.....	D24/216
7,244,392 B1 *	7/2007	Konecke	.....	A61B 10/007	2002/0031845 A1 *	3/2002	Cipkowski	.....	A61B 10/007
				422/408					436/518
					2002/0132267 A1 *	9/2002	Wong	.....	G01N 21/8483
									435/7.1
					2008/0033319 A1 *	2/2008	Kloepfer	.....	A61B 5/1411
									600/583

\* cited by examiner



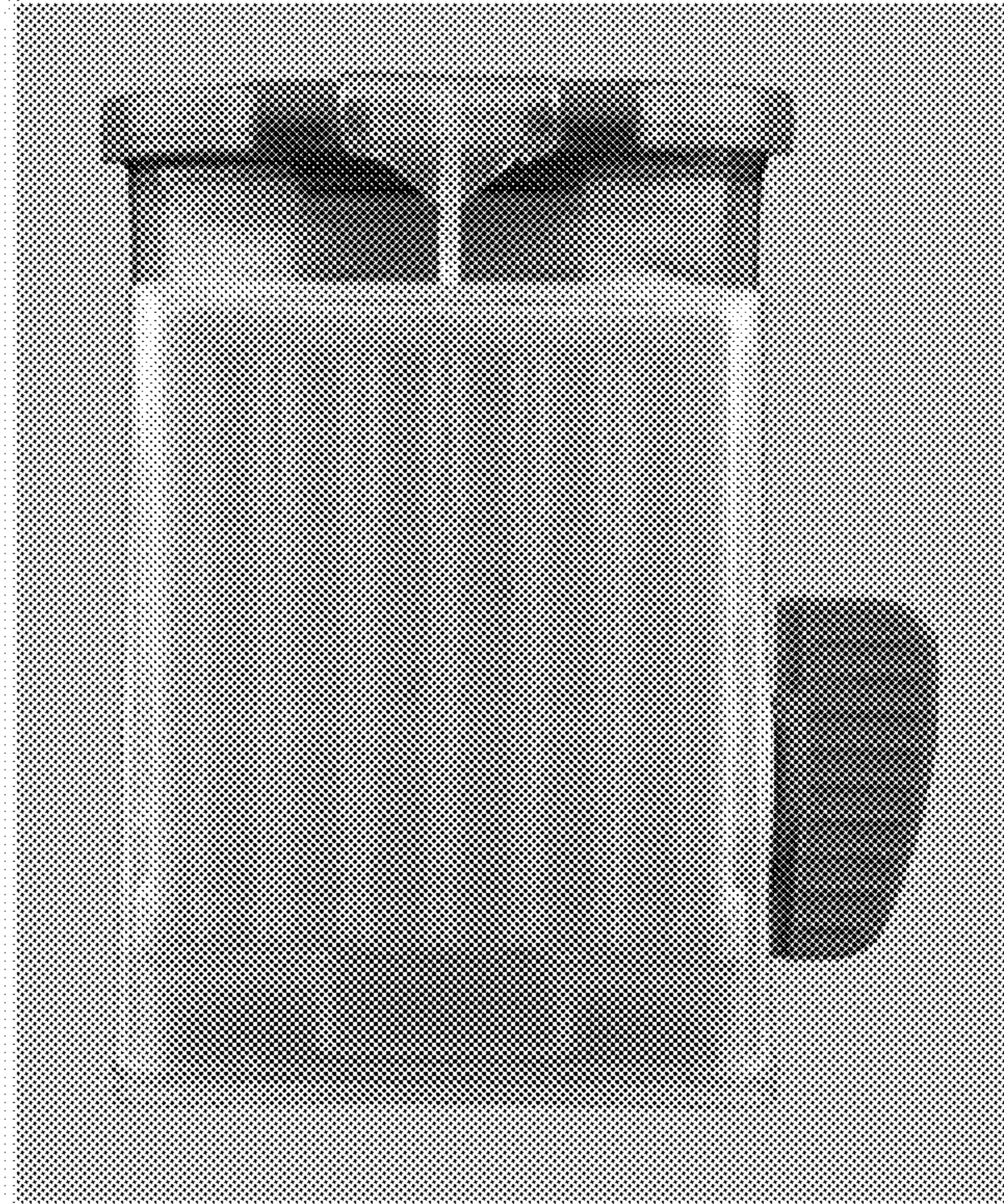


FIG. 1

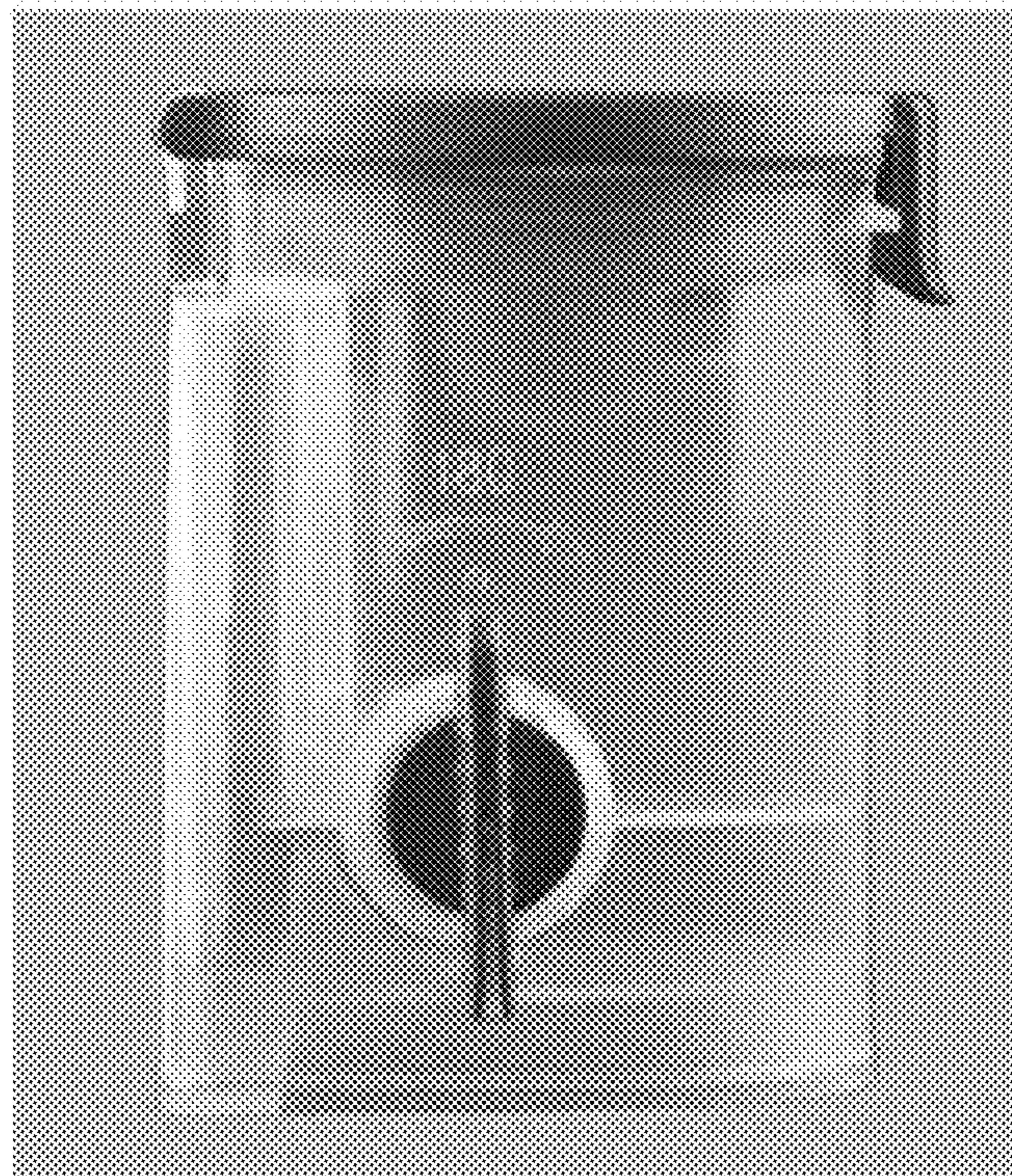


FIG. 2





FIG. 3

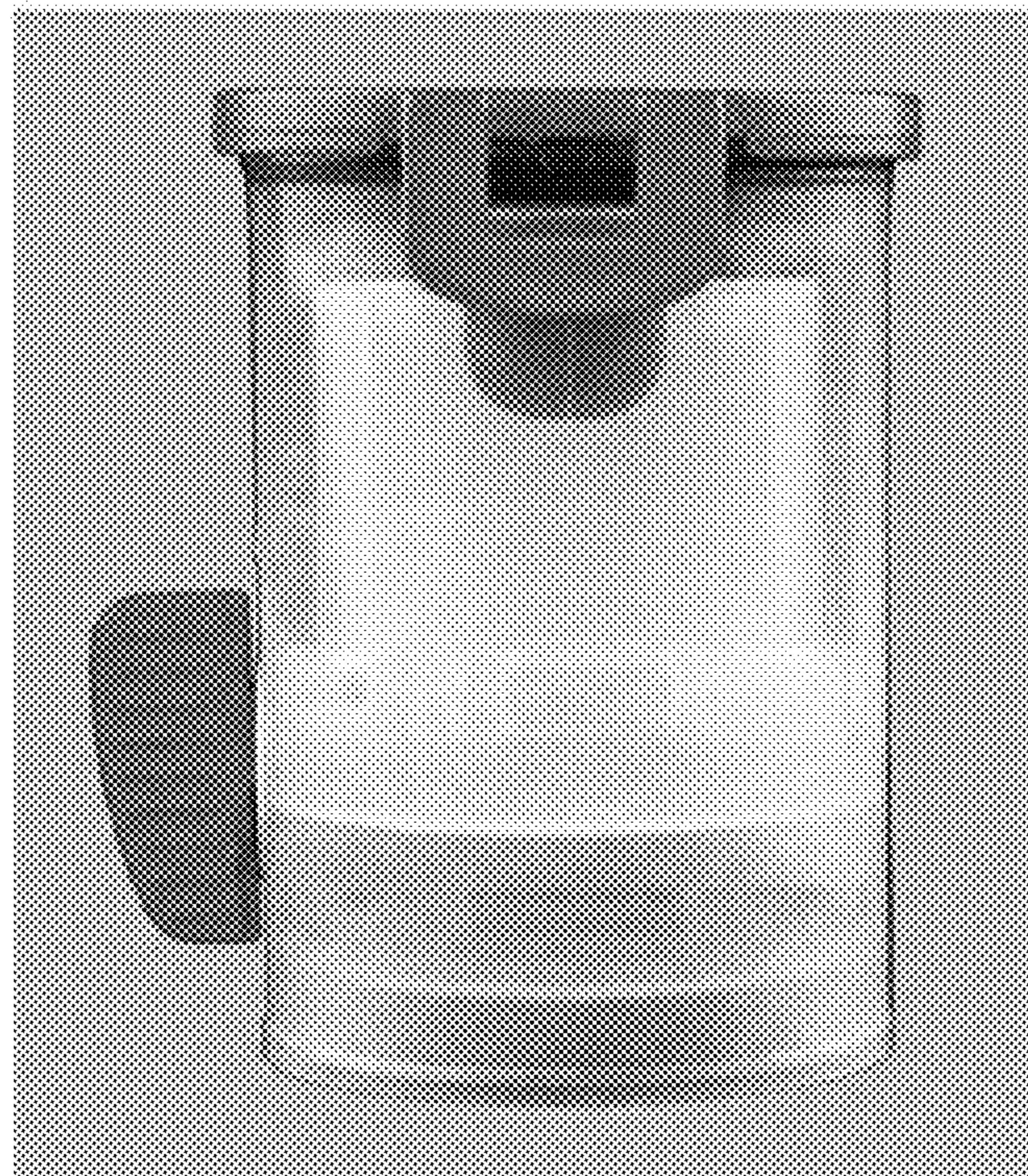


FIG. 4



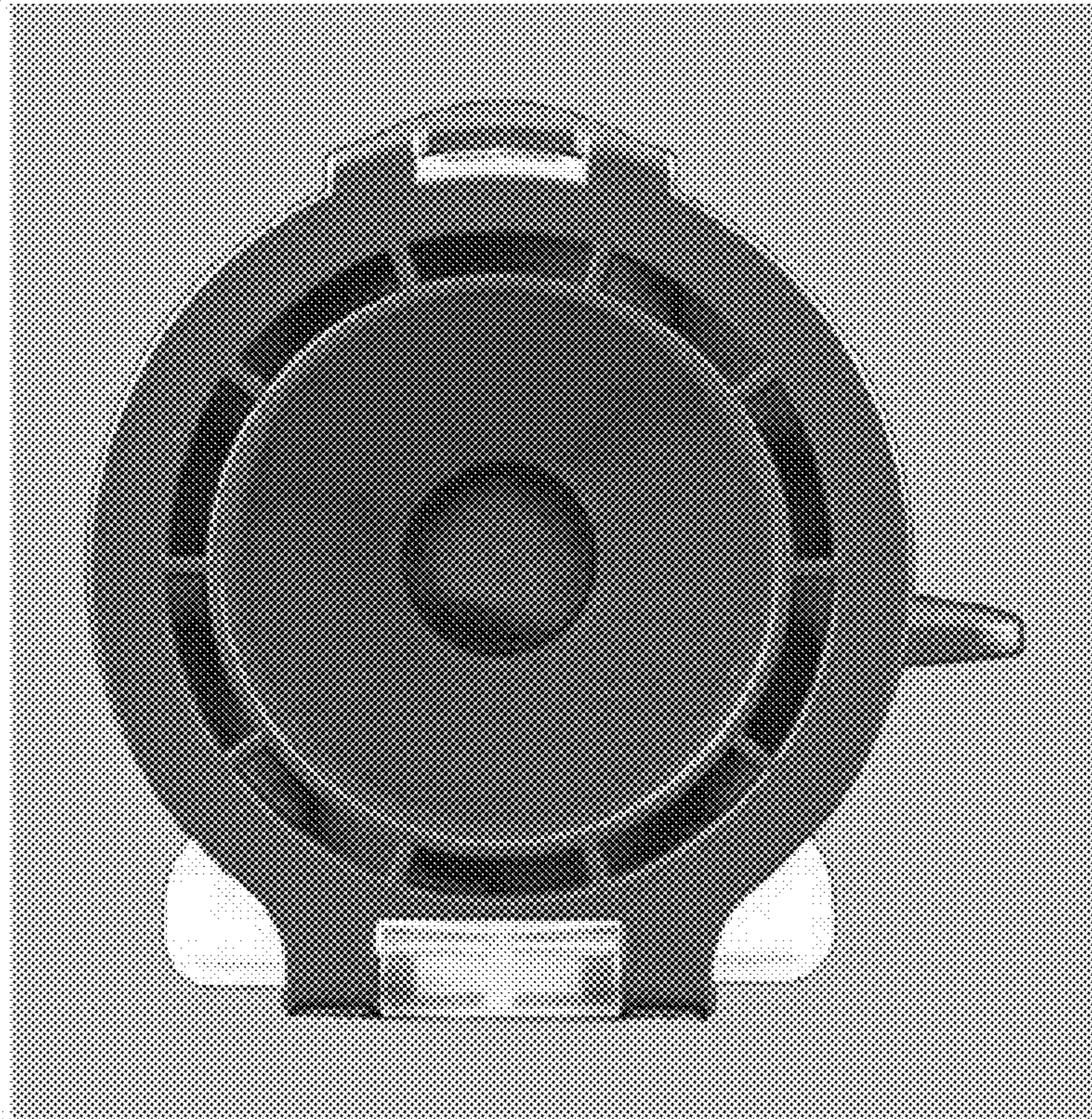


FIG. 5

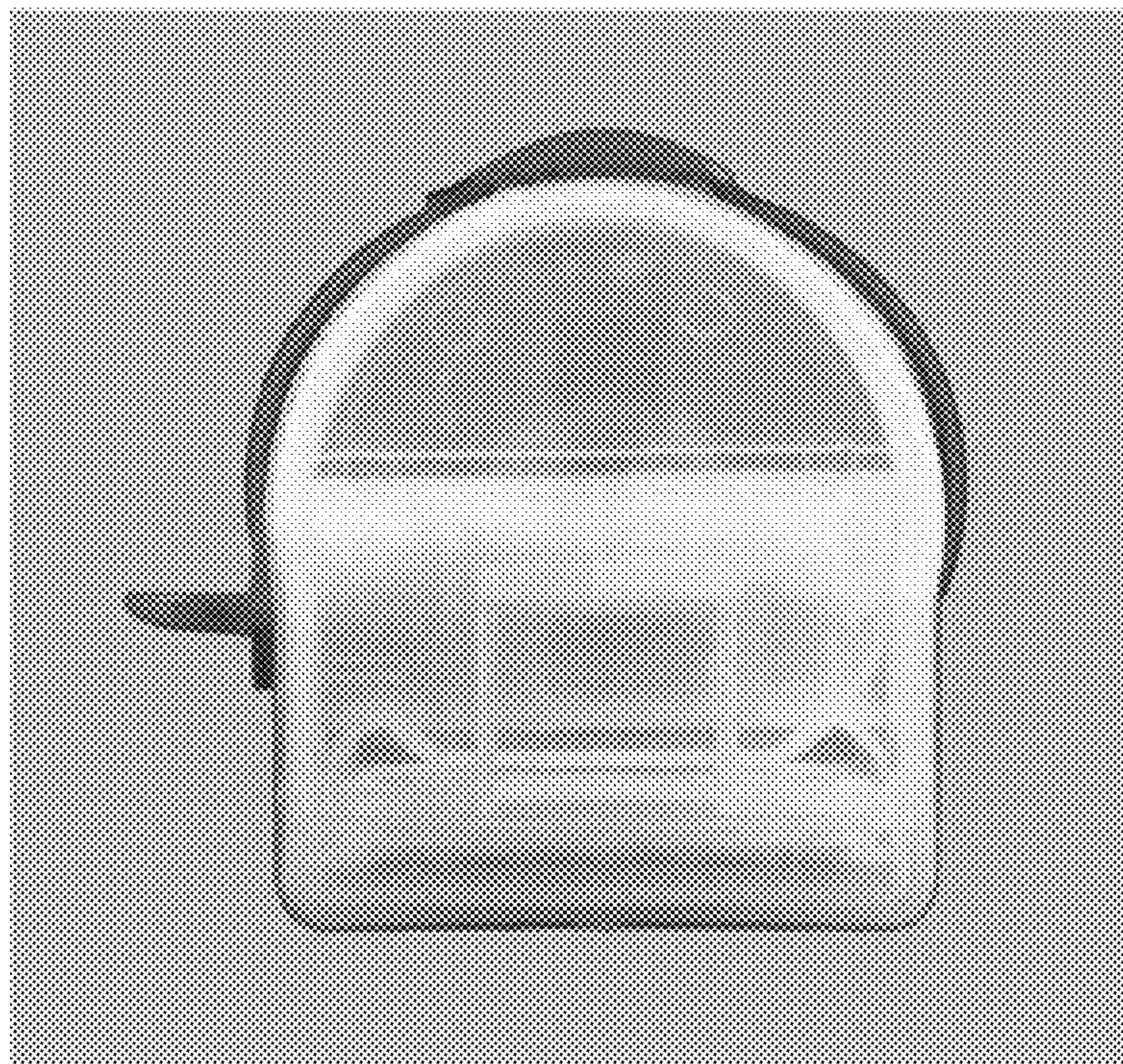


FIG. 6





FIG. 7

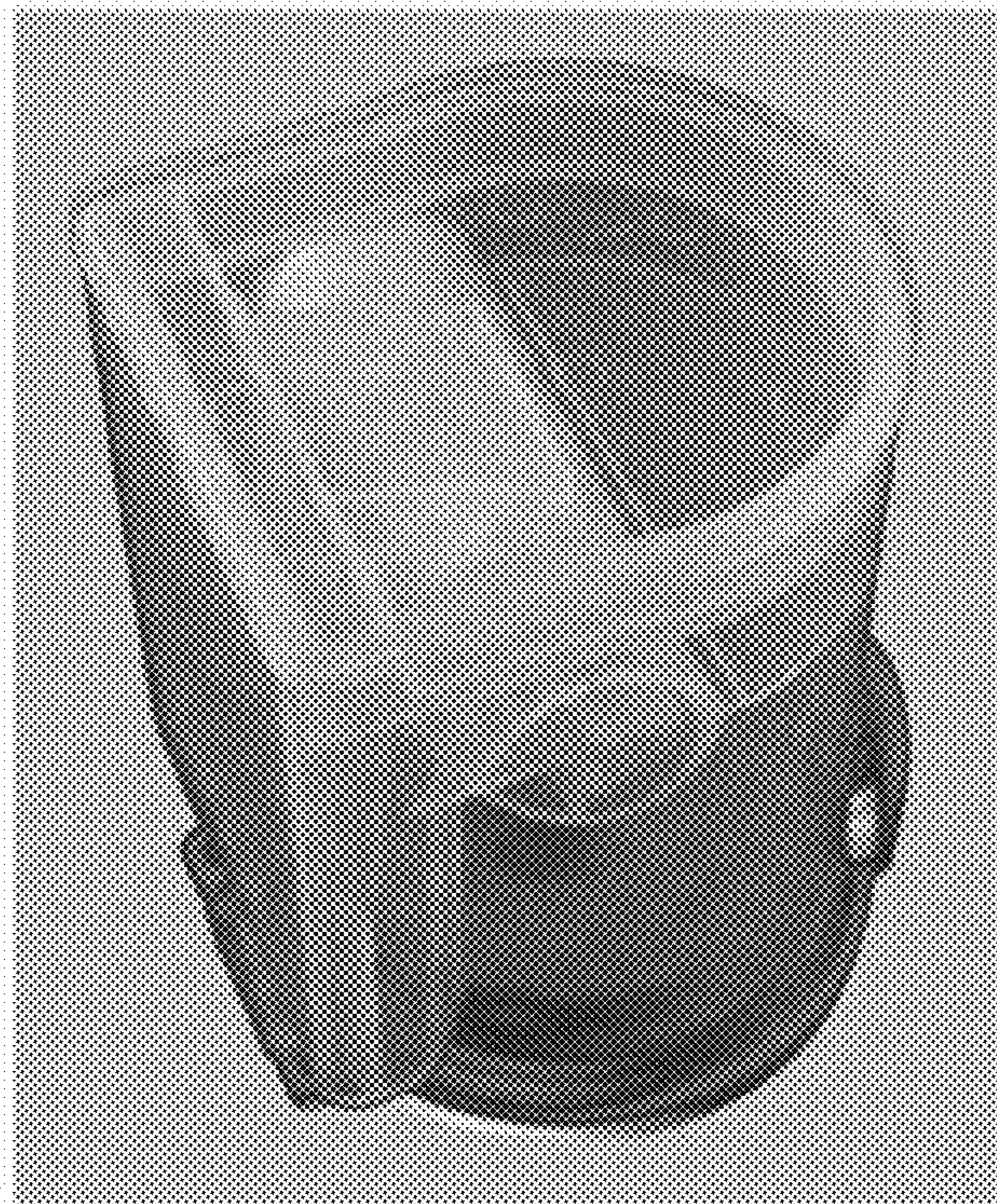


FIG. 8