



US00D836206S

(12) **United States Design Patent** (10) **Patent No.:** **US D836,206 S**  
**Pettinato et al.** (45) **Date of Patent:** **\*\* Dec. 18, 2018**

(54) **CART**  
(71) Applicant: **LIFELINE SCIENTIFIC, INC.**,  
Itasca, IL (US)  
(72) Inventors: **David Pettinato**, Schaumburg, IL (US);  
**Christopher P. Steinman**, Sandy, UT  
(US); **Alan K. Wu**, Oak Forest, IL  
(US)  
(73) Assignee: **LIFELINE SCIENTIFIC, INC.**,  
Itasca, IL (US)  
(\*\*) Term: **15 Years**

D553,379 S \* 10/2007 Genelli ..... D6/367  
D573,772 S \* 7/2008 Faehnle ..... D34/17  
D597,266 S \* 7/2009 Simpson ..... D30/118  
D613,409 S \* 4/2010 Genelli ..... D24/183  
D614,423 S \* 4/2010 Mohazzabi ..... D6/349  
D625,071 S \* 10/2010 Shigeno ..... D24/185  
D653,416 S \* 1/2012 Matrunola ..... D34/12  
D668,770 S \* 10/2012 Tucek ..... D24/209  
D677,940 S \* 3/2013 Wang ..... D6/678.4  
D687,149 S \* 7/2013 Chang ..... D24/185  
9,072,642 B2 \* 7/2015 Miller ..... A61G 15/007  
9,554,953 B2 \* 1/2017 Dirauf ..... G05D 1/0234  
D785,183 S \* 4/2017 Ogura ..... D24/158  
D786,577 S \* 5/2017 Czach ..... A47D 9/00  
D6/390  
D790,065 S \* 6/2017 O'Connor ..... D24/158  
D820,362 S \* 6/2018 Citterio ..... D21/687

(21) Appl. No.: **29/581,163**  
(22) Filed: **Oct. 17, 2016**  
(51) **LOC (11) Cl.** ..... **24-02**  
(52) **U.S. Cl.**  
USPC ..... **D24/185**  
(58) **Field of Classification Search**  
USPC ..... D24/185, 183, 158, 209; D21/687;  
D13/163; D34/12, 23, 24, 17; D6/349,  
D6/367, 390, 678.4, 684; D30/118  
CPC ..... A61G 15/007; G05D 1/0234; A47D 9/00  
See application file for complete search history.

\* cited by examiner

*Primary Examiner* — Rhea Shields  
(74) *Attorney, Agent, or Firm* — Oliff PLC

(56) **References Cited**

U.S. PATENT DOCUMENTS

D302,618 S \* 8/1989 Gottselig ..... D34/23  
D337,822 S \* 7/1993 Janke ..... D24/185  
D412,748 S \* 8/1999 Nabarro ..... D24/158  
D525,592 S \* 7/2006 Nguyen ..... D13/163  
D529,252 S \* 9/2006 Wu ..... D34/24  
D535,491 S \* 1/2007 Wise ..... D6/684

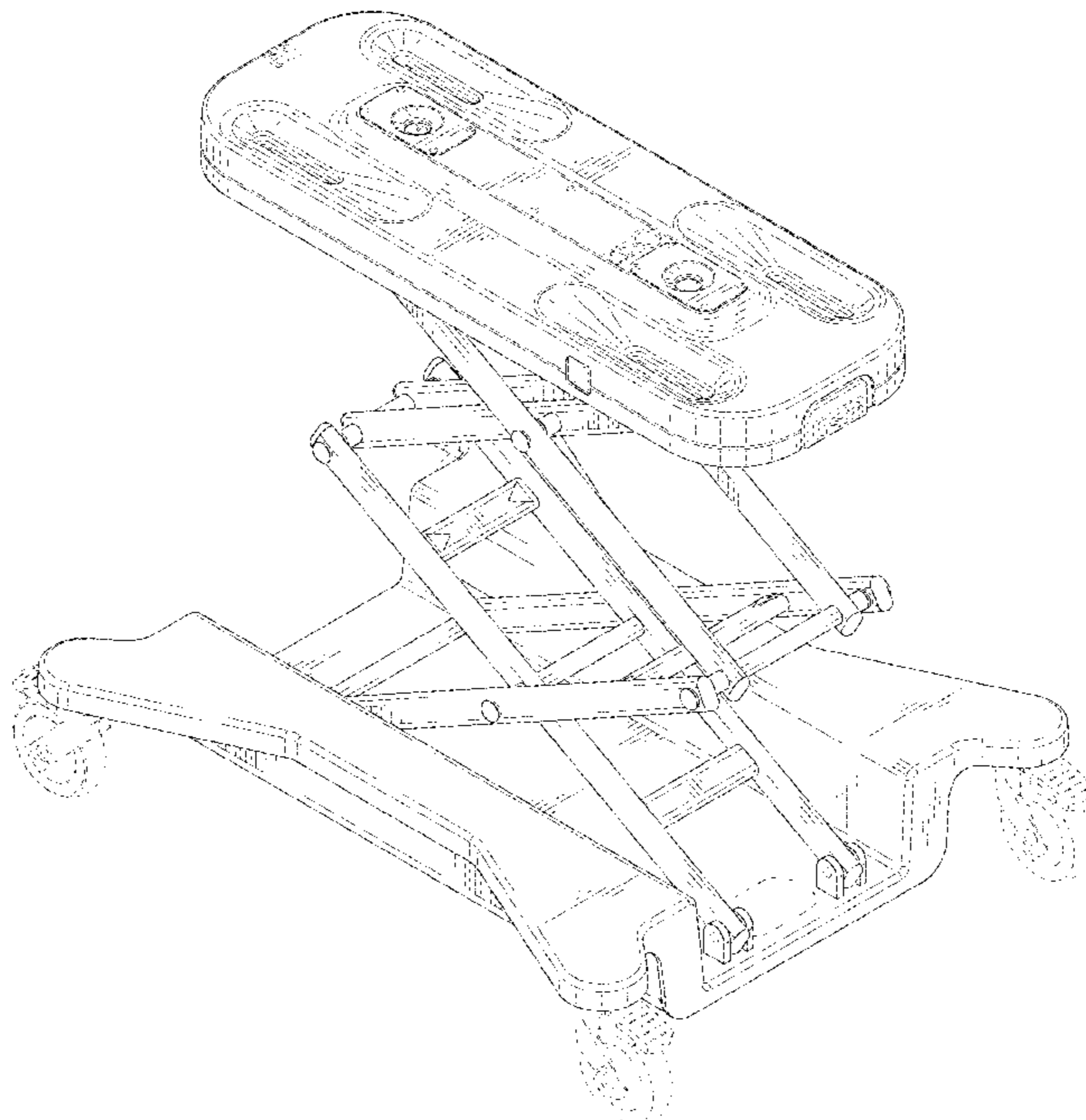
(57) **CLAIM**

The ornamental design for a cart, as shown and described.

**DESCRIPTION**

FIG. 1 is a perspective view of a cart;  
FIG. 2 is a front view thereof;  
FIG. 3 is a top view thereof;  
FIG. 4 is a right-side view thereof;  
FIG. 5 is a left-side view thereof;  
FIG. 6 is a rear view thereof;  
FIG. 7 is a bottom view thereof; and,  
FIG. 8 is a bottom perspective view thereof.  
The broken lines depict environmental subject matter only  
and form no part of the claimed design.

**1 Claim, 8 Drawing Sheets**



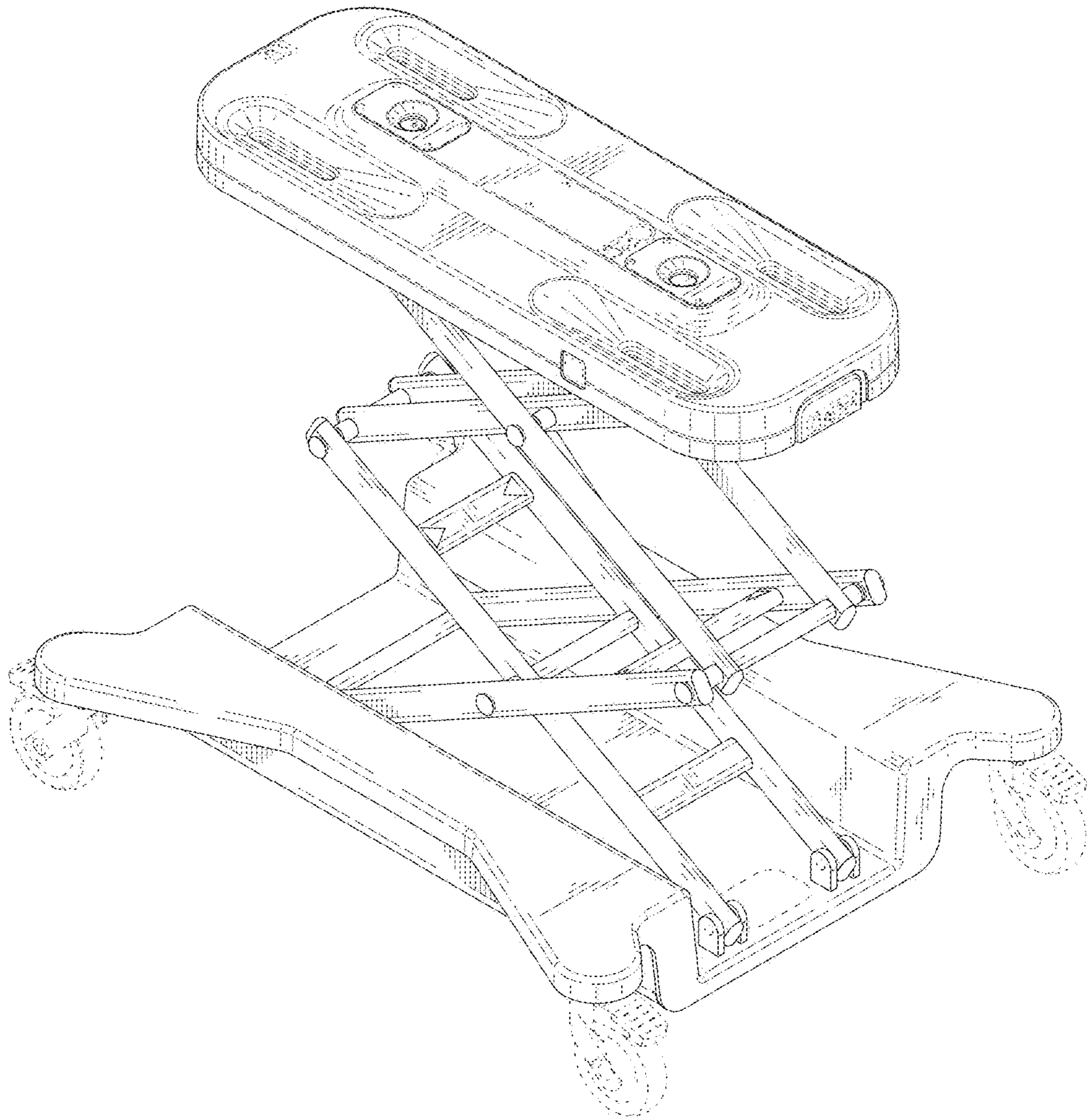


FIG. 1

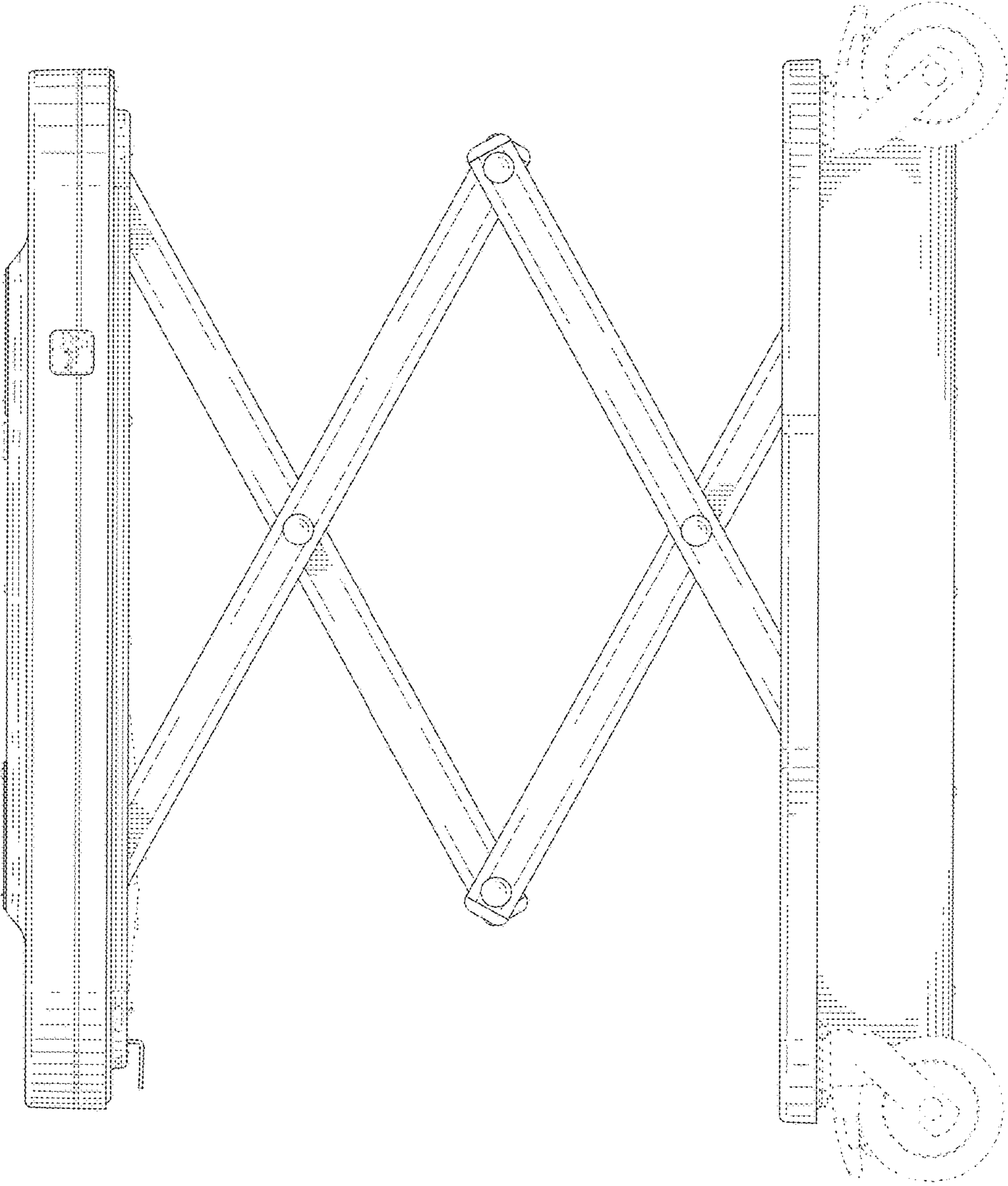


FIG. 2



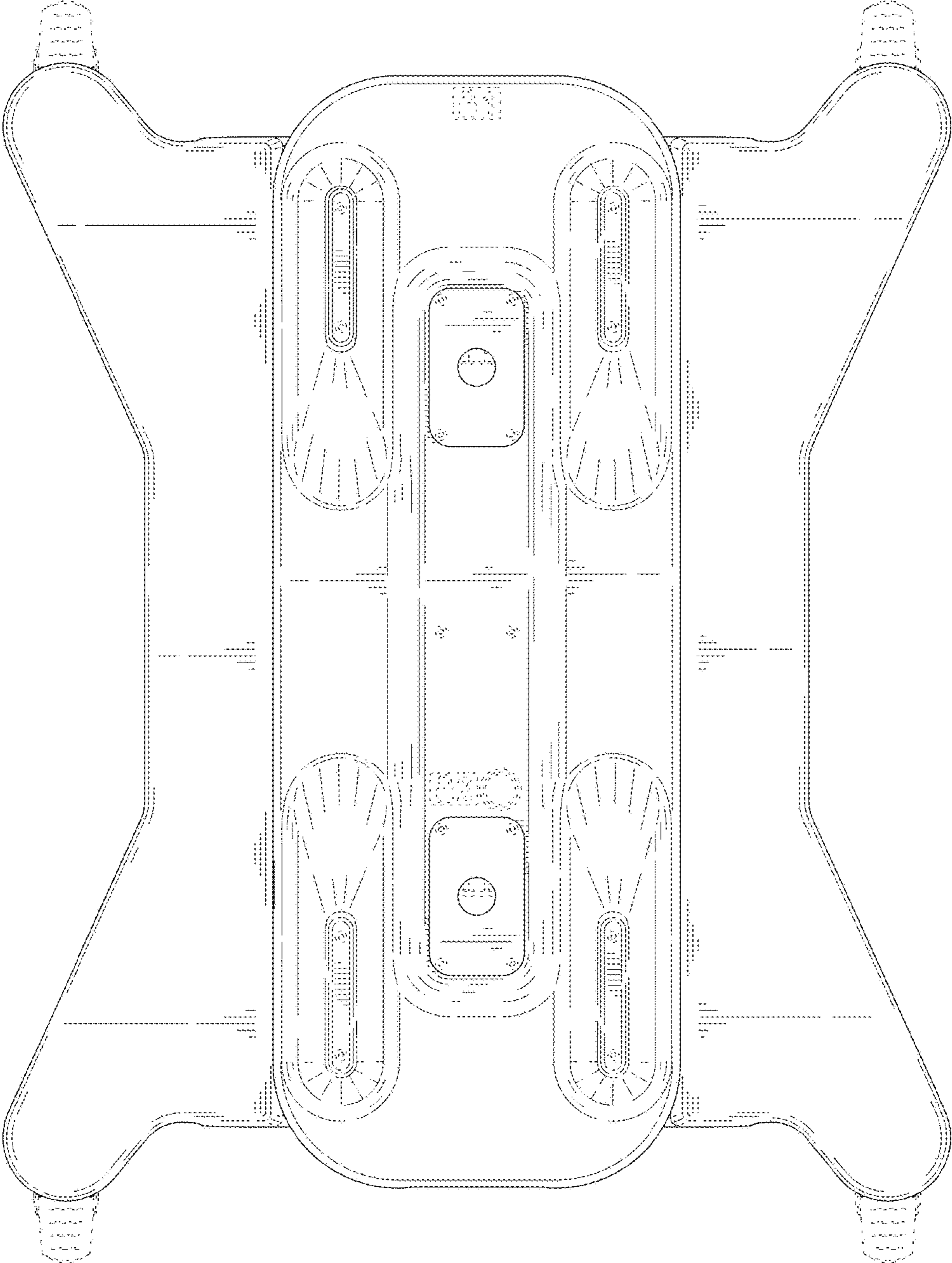


FIG. 3

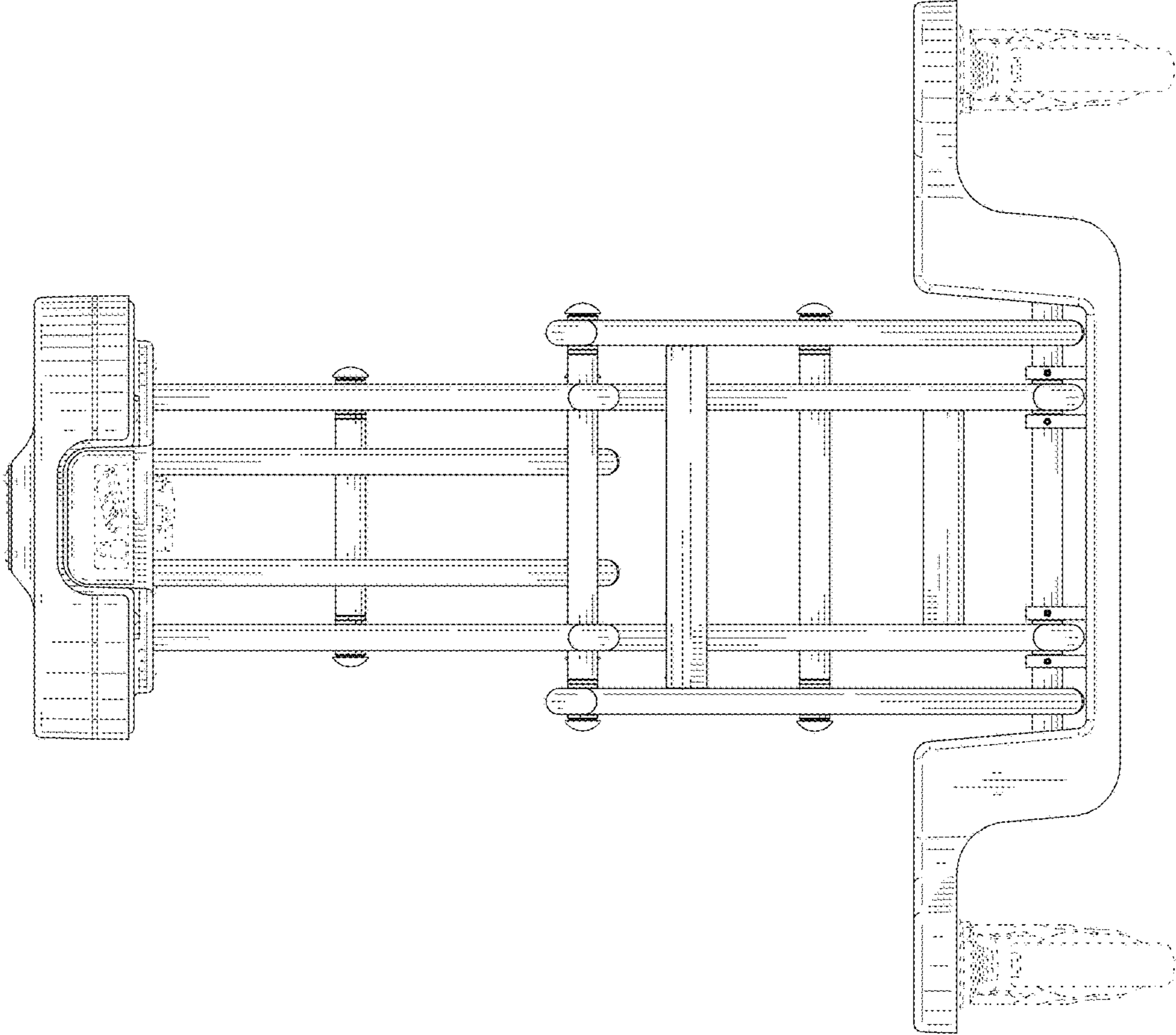


FIG. 4

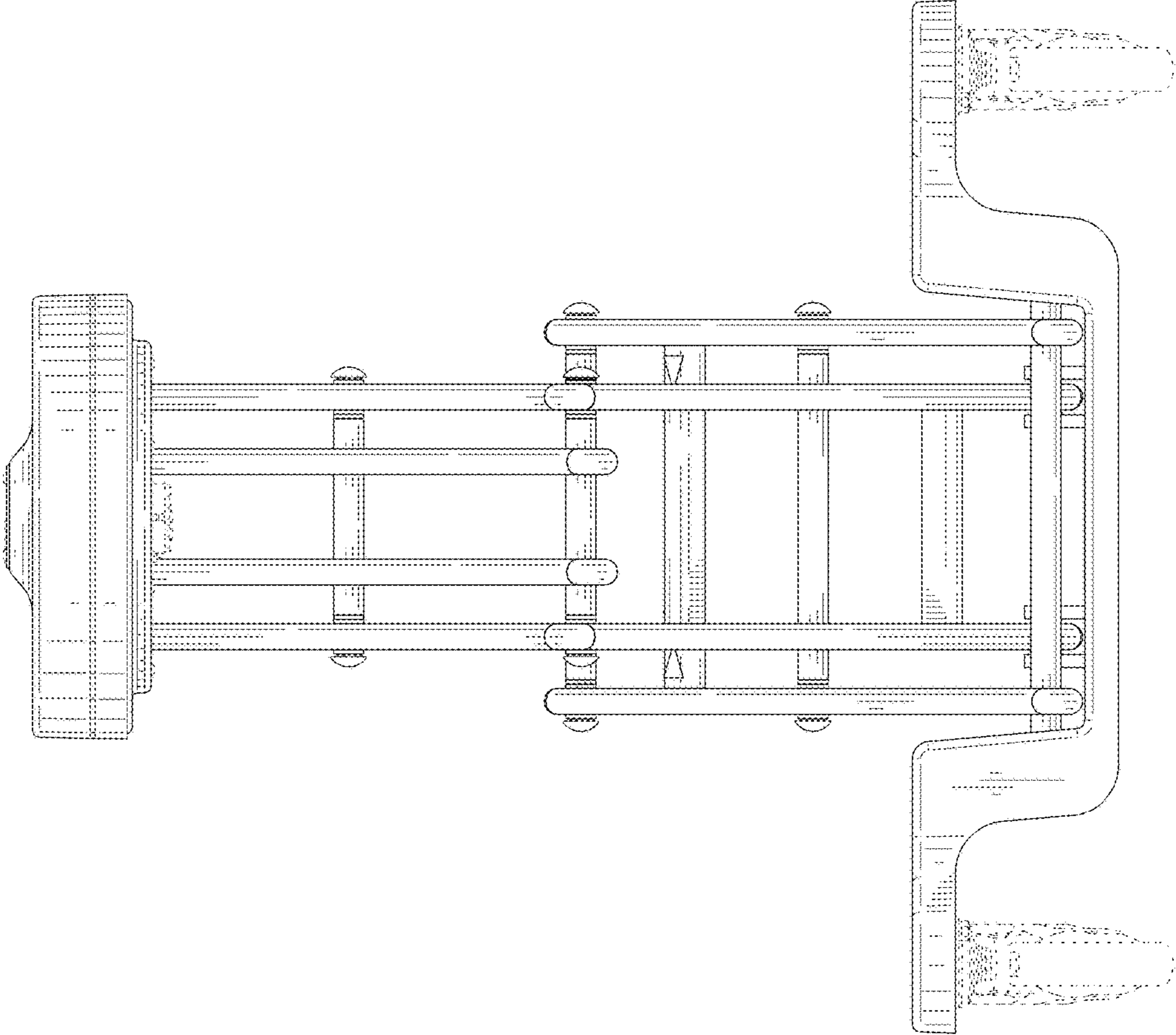


FIG. 5

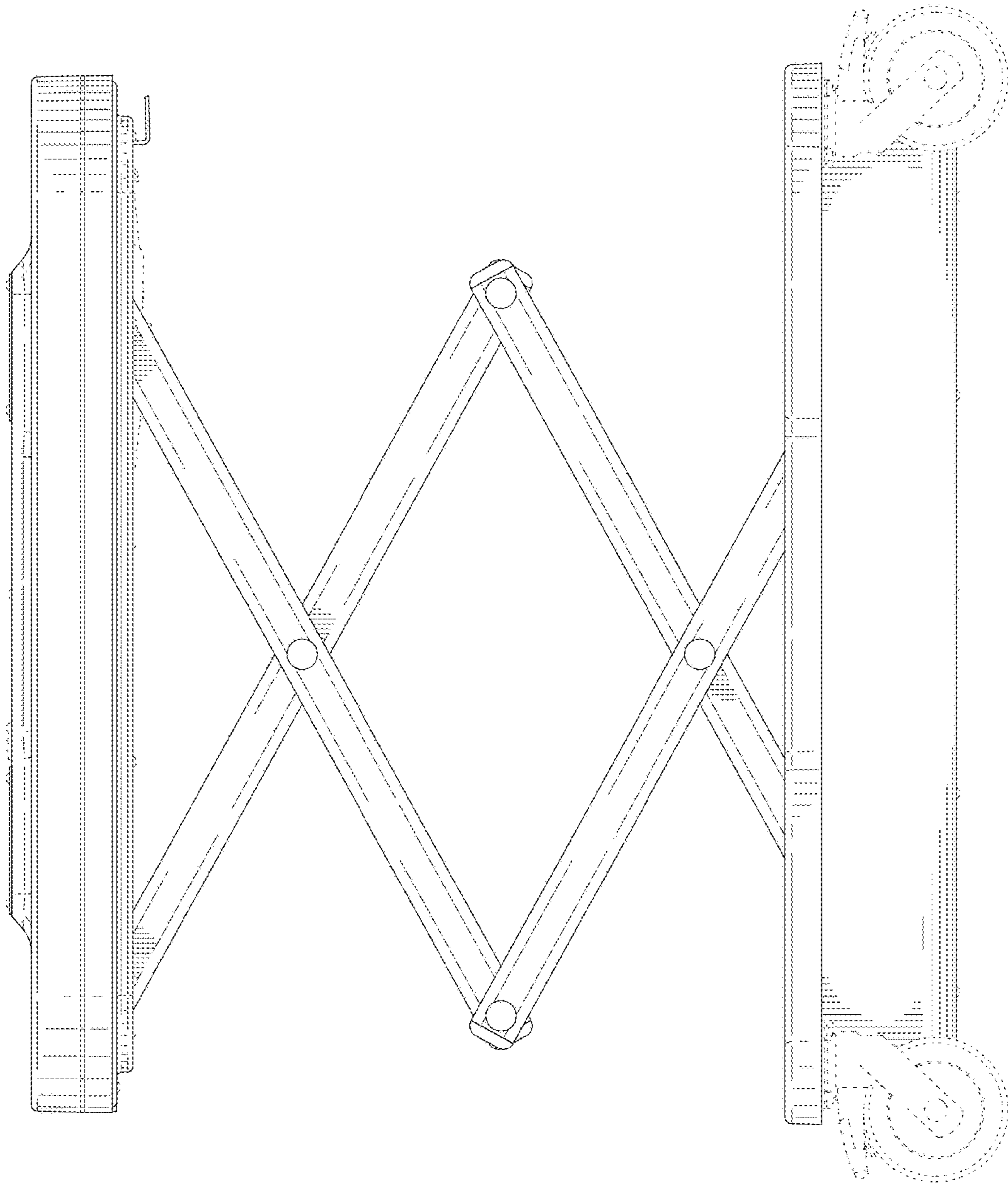


FIG. 6

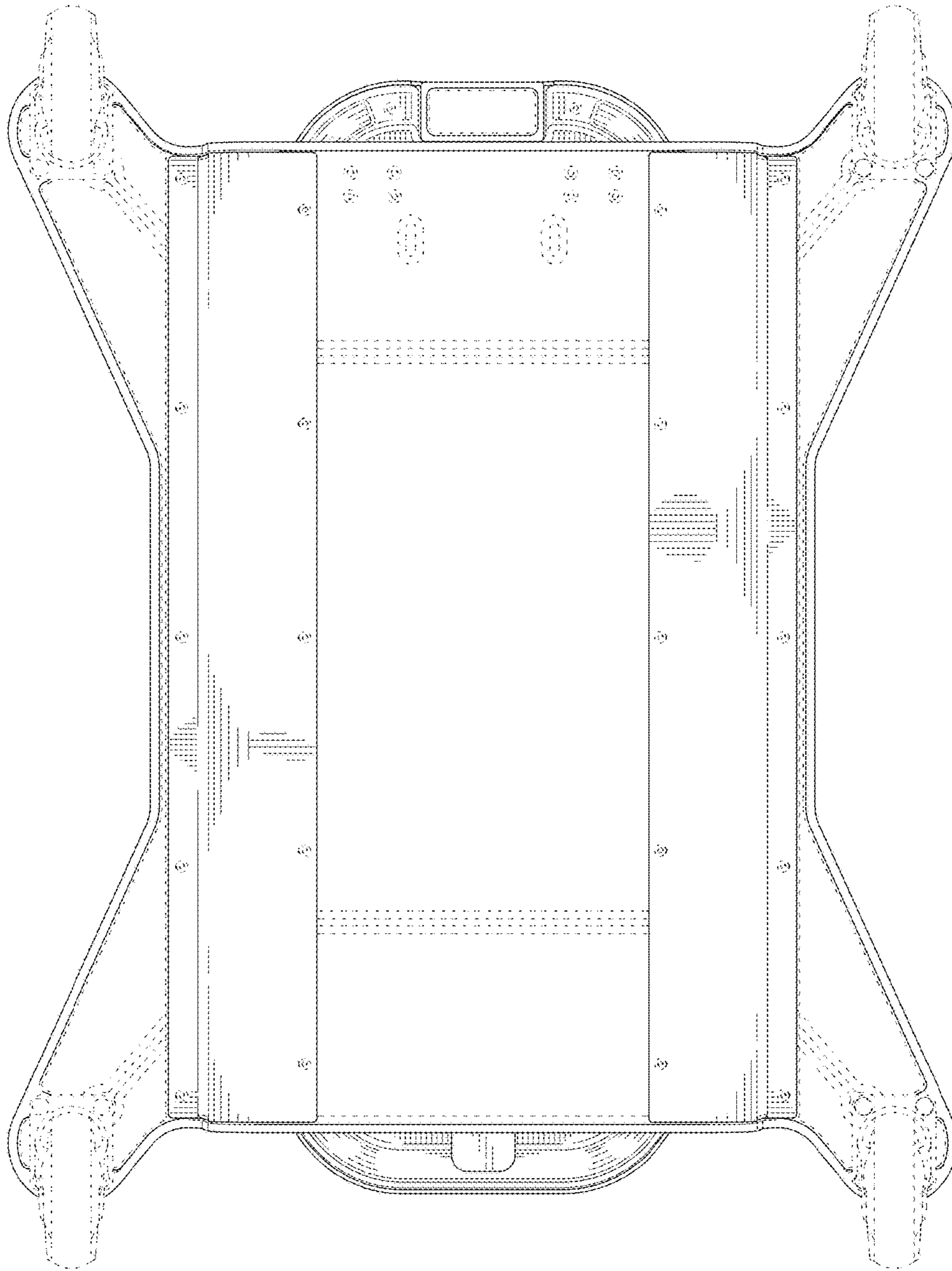


FIG. 7



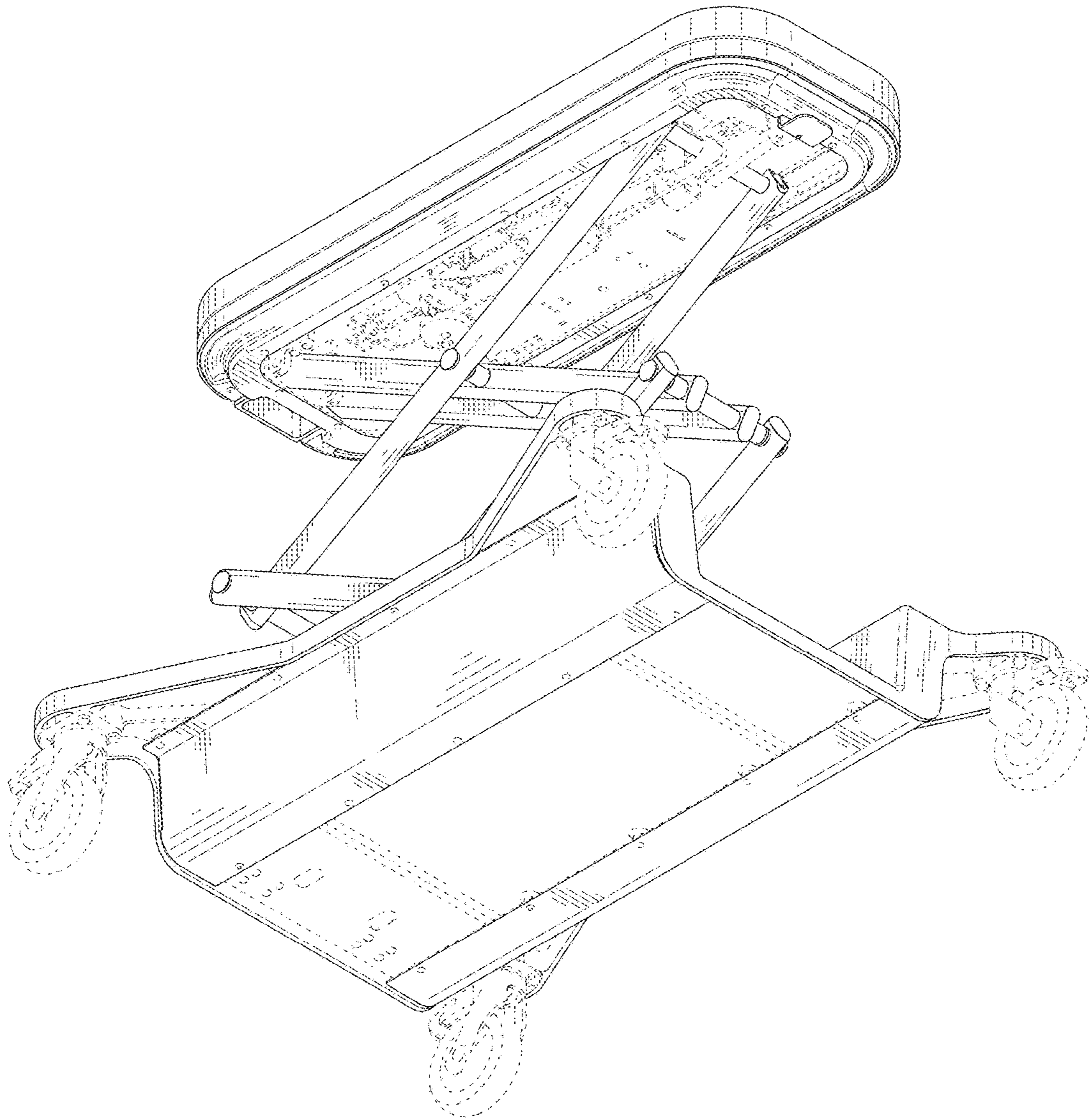


FIG. 8