



US00D836205S

(12) **United States Design Patent** (10) **Patent No.:** **US D836,205 S**  
**Gonzalez et al.** (45) **Date of Patent:** **\*\* Dec. 18, 2018**

(54) **INJECTION MACHINE** D285,339 S \* 8/1986 Tamsen ..... D24/111  
4,933,873 A \* 6/1990 Kaufman ..... G06F 19/3418  
(71) Applicant: **DESVAC**, Saint-Barthelemy-d'Anjou 704/270  
(FR) D315,396 S \* 3/1991 Miller ..... D23/225  
5,316,246 A \* 5/1994 Scott ..... A61M 5/1418  
(72) Inventors: **Carlos Gonzalez**, Madrid (ES); D352,113 S \* 11/1994 Ashley ..... D24/189  
**Stephane Veyrent**, Soulaines sur D352,357 S \* 11/1994 Ashley ..... D24/189  
Aubance (FR); **Ludovic Braud**, Autrac D378,315 S \* 3/1997 Schwaegerle ..... D24/172  
(FR) 5,843,131 A \* 12/1998 McDonough ..... A61N 1/39  
607/5

(Continued)

(73) Assignee: **DESVAC**, Saint-Barthelemy-d'Anjou  
(FR)

(\*\*) Term: **15 Years**

(21) Appl. No.: **29/558,954**

(22) Filed: **Mar. 23, 2016**

(30) **Foreign Application Priority Data**

Sep. 23, 2015 (EM) ..... 002778191-0001  
Sep. 23, 2015 (EM) ..... 002778191-0002

(51) **LOC (11) Cl.** ..... **24-02**

(52) **U.S. Cl.**  
USPC ..... **D24/185**

(58) **Field of Classification Search**  
USPC ..... D24/185, 111, 108, 128, 160, 172, 189,  
D24/114, 130, 113, 121, 112, 127;  
D23/225; 119/713; 704/270; 248/68.1;  
607/5; 600/449; 206/564  
CPC . A61M 5/1411; A61M 5/1418; A61B 5/1075;  
A61N 1/39; A61D 1/025; G06F 19/3418  
See application file for complete search history.

(56) **References Cited**

**U.S. PATENT DOCUMENTS**

4,138,999 A \* 2/1979 Eckhart ..... A61B 5/1075  
600/449  
D263,635 S \* 3/1982 Wendt ..... D24/114

**OTHER PUBLICATIONS**

Office Action dated Jun. 14, 2016 in Canadian Patent Application  
No. 167696.

(Continued)

*Primary Examiner* — Rhea Shields  
(74) *Attorney, Agent, or Firm* — Oblon, McClelland,  
Maier & Neustadt, L.L.P.

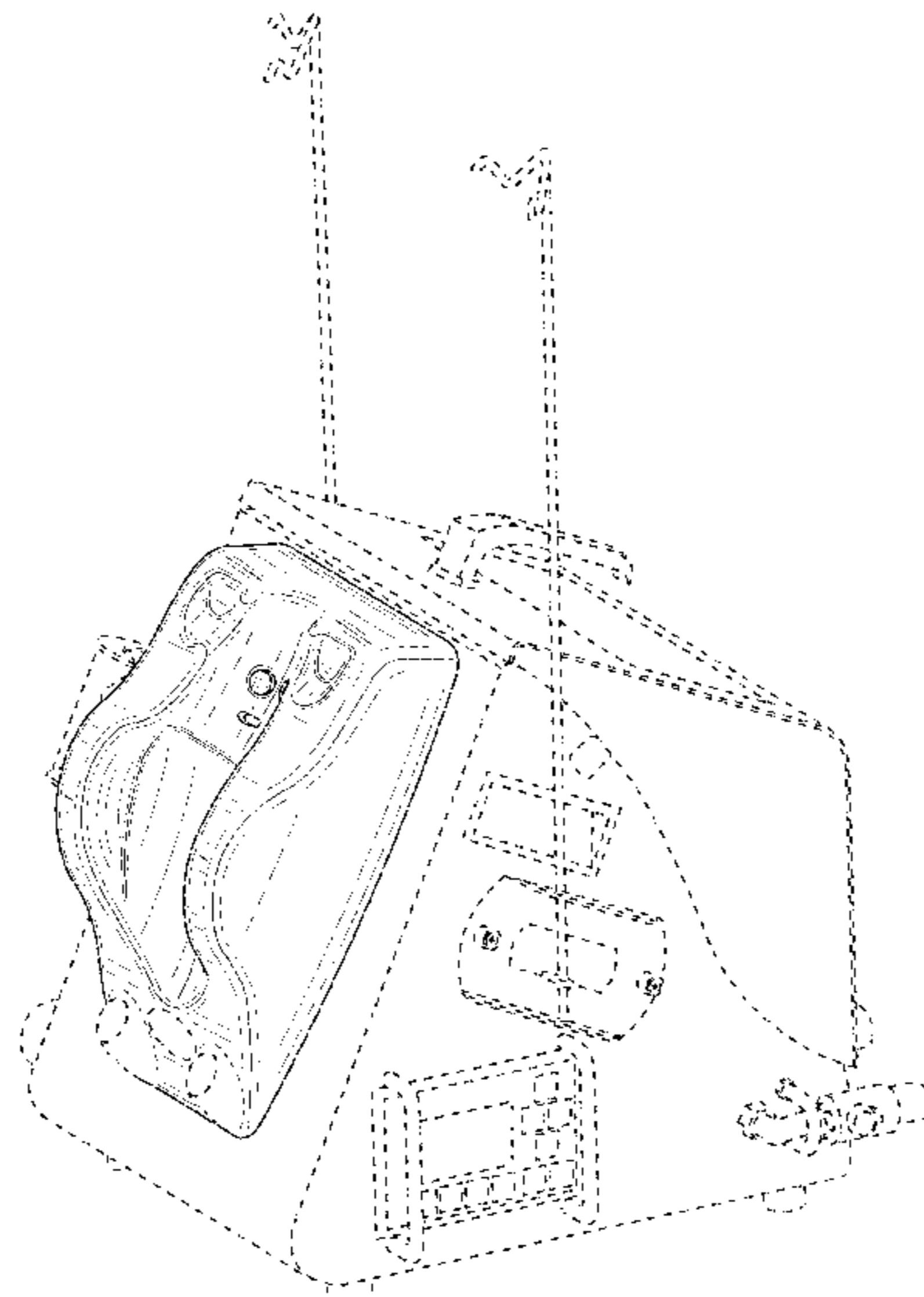
(57) **CLAIM**

The ornamental design for an injection machine, as shown  
and described.

**DESCRIPTION**

FIG. 1 is a front, top, and right side perspective view of an  
injection machine;  
FIG. 2 is a front and left side perspective view thereof;  
FIG. 3 is a front elevational view thereof;  
FIG. 4 is a rear elevational view thereof;  
FIG. 5 is a right side elevational view thereof;  
FIG. 6 is a left side elevational view thereof;  
FIG. 7 is a top plan view thereof; and,  
FIG. 8 is a bottom plan view thereof.  
In the drawings, the broken lines are for the purpose of  
illustrating environment only and form no part of the  
claimed design.

**1 Claim, 8 Drawing Sheets**



(56)

**References Cited**

U.S. PATENT DOCUMENTS

5,906,598	A *	5/1999	Giesler .....	A61M 5/1411 206/564
D536,454	S *	2/2007	Joyce .....	D24/108
D545,967	S *	7/2007	Joyce .....	D24/160
D547,447	S *	7/2007	Bruce .....	D24/130
D550,353	S *	9/2007	White .....	D24/128
8,211,058	B2 *	7/2012	Jorna .....	A61D 1/025 119/713
D741,995	S *	10/2015	Prasser .....	D24/113
D750,773	S *	3/2016	Eaton .....	D24/128
D760,888	S *	7/2016	Gill .....	D24/108
D763,433	S *	8/2016	Davidian .....	D24/108
D765,832	S *	9/2016	Hochman .....	D24/111
D774,182	S *	12/2016	Davidian .....	D24/121
D806,233	S *	12/2017	Wolper .....	D24/112
D812,220	S *	3/2018	Bainton .....	D24/113
D819,201	S *	5/2018	Denzer .....	D24/127

OTHER PUBLICATIONS

Office Action dated May 16, 2016 in Chinese Patent Application No. 201630087068.8.

\* cited by examiner

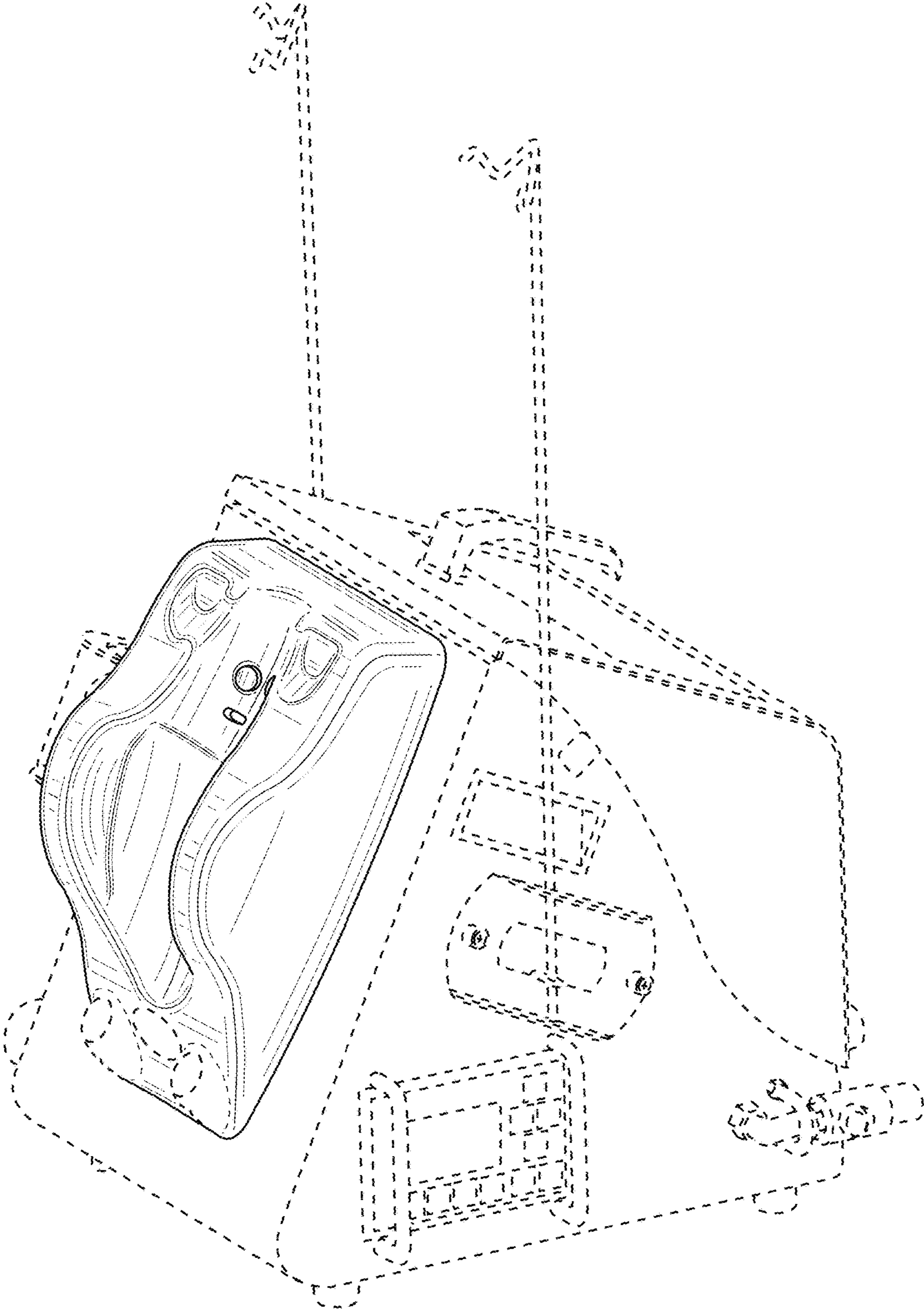


FIG. 1

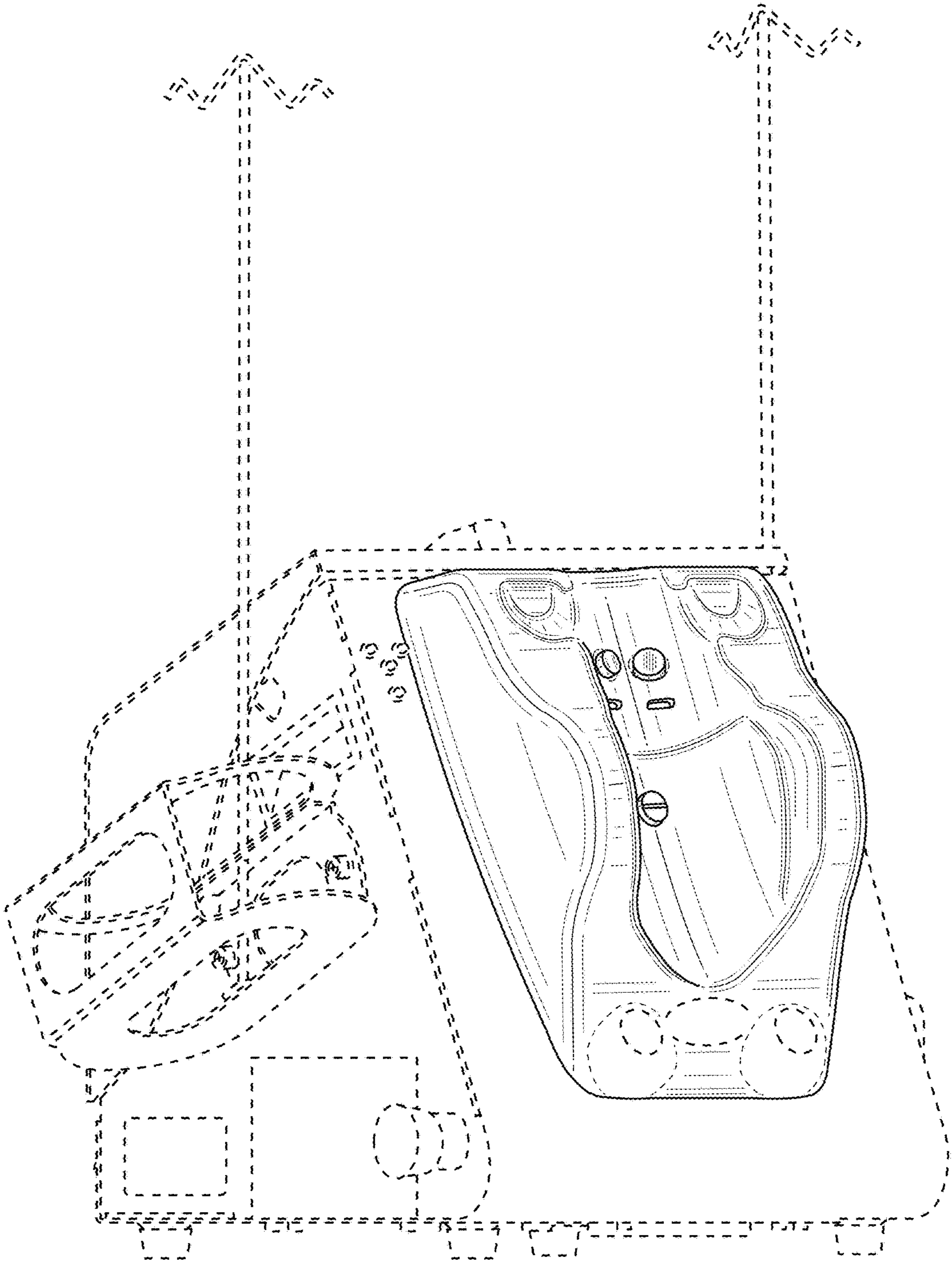


FIG. 2

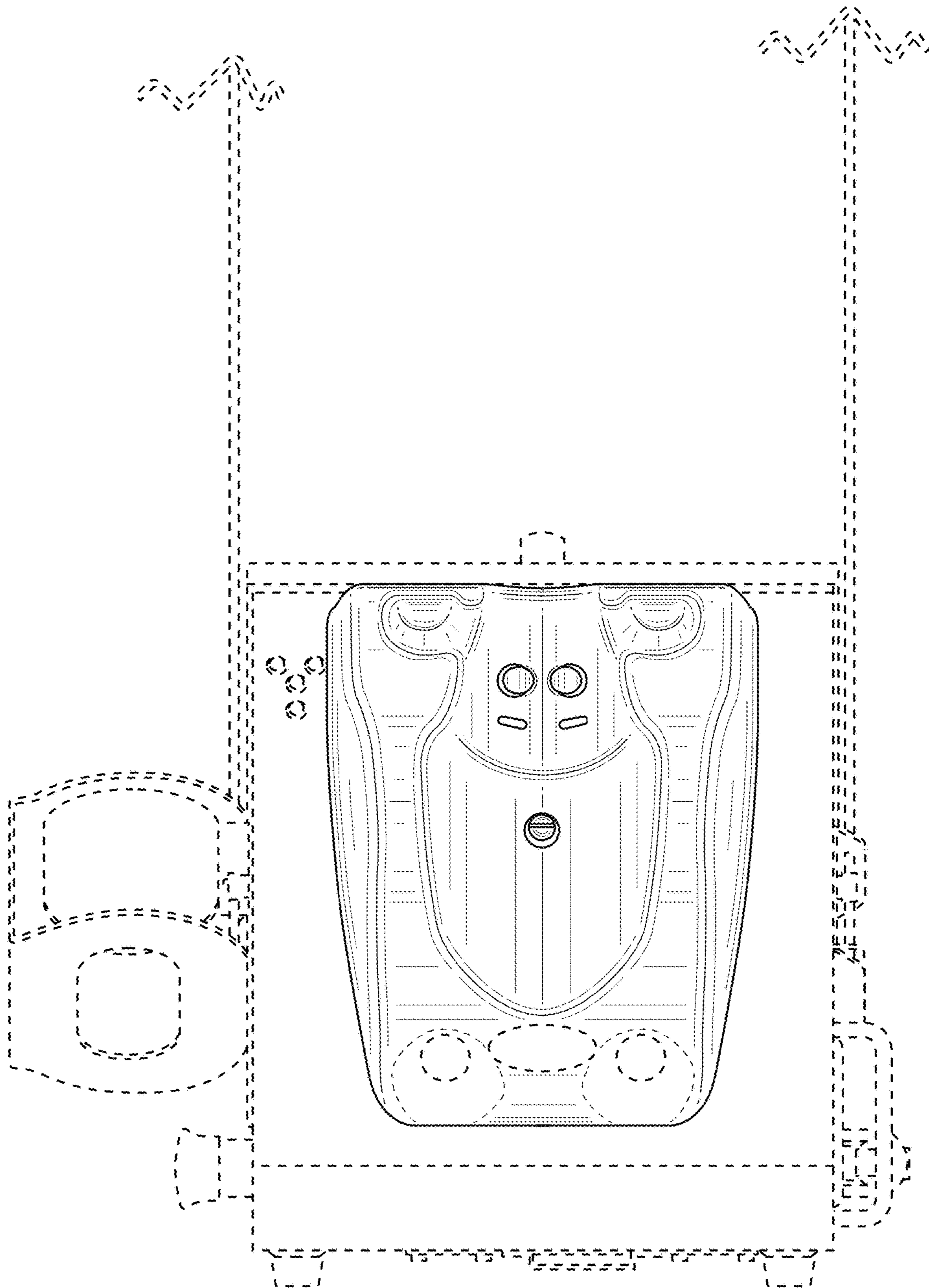


FIG. 3

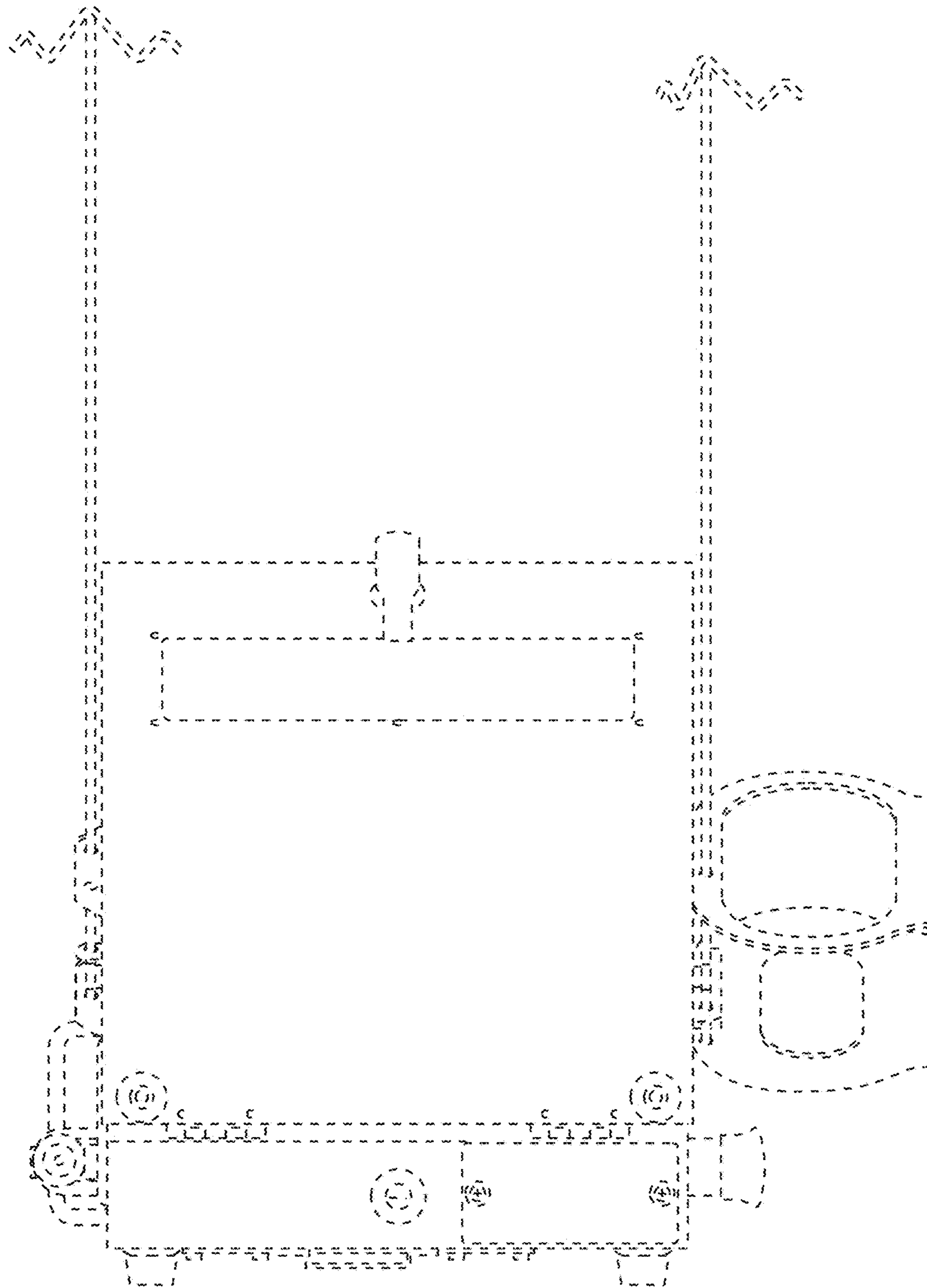


FIG. 4

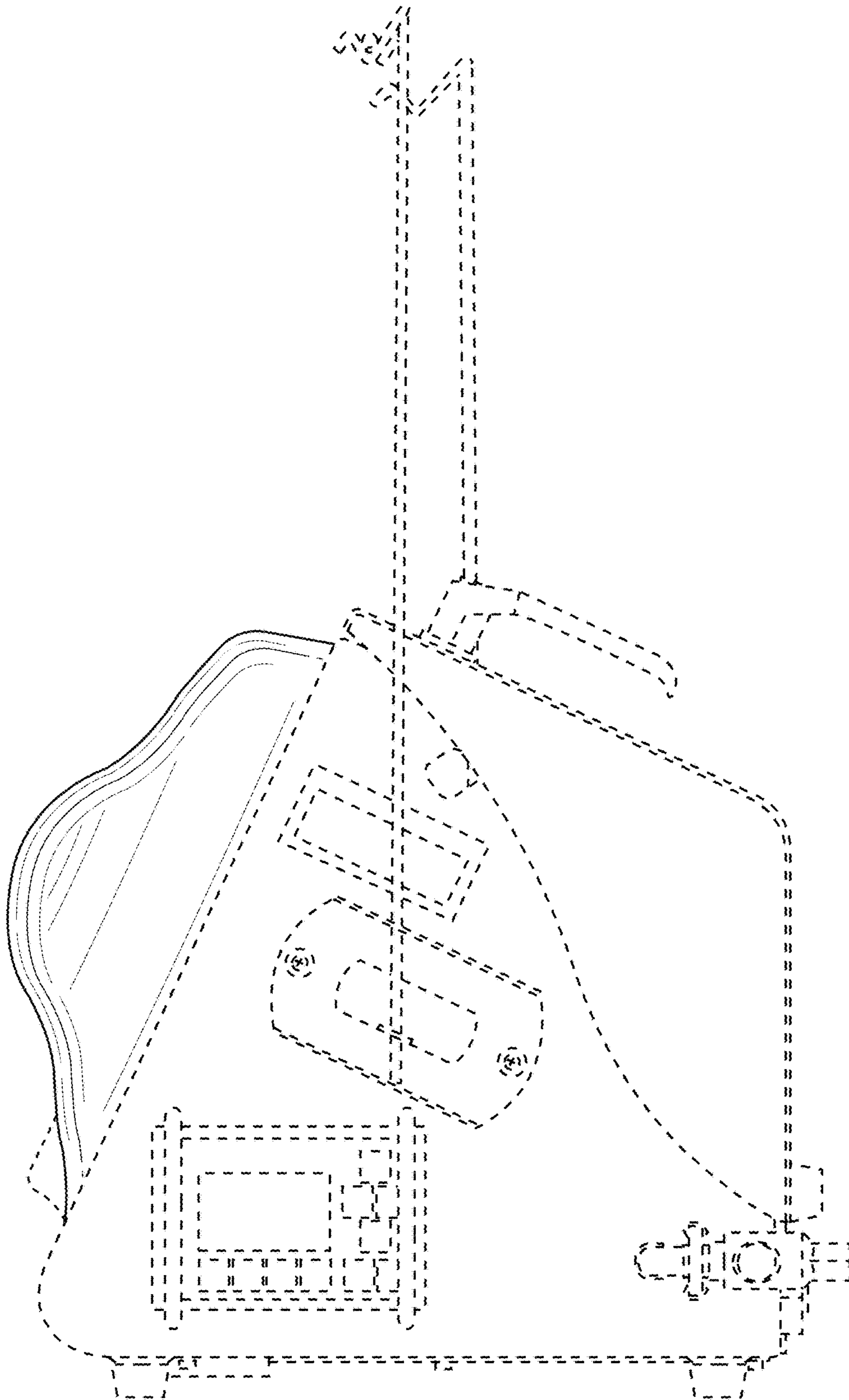


FIG. 5

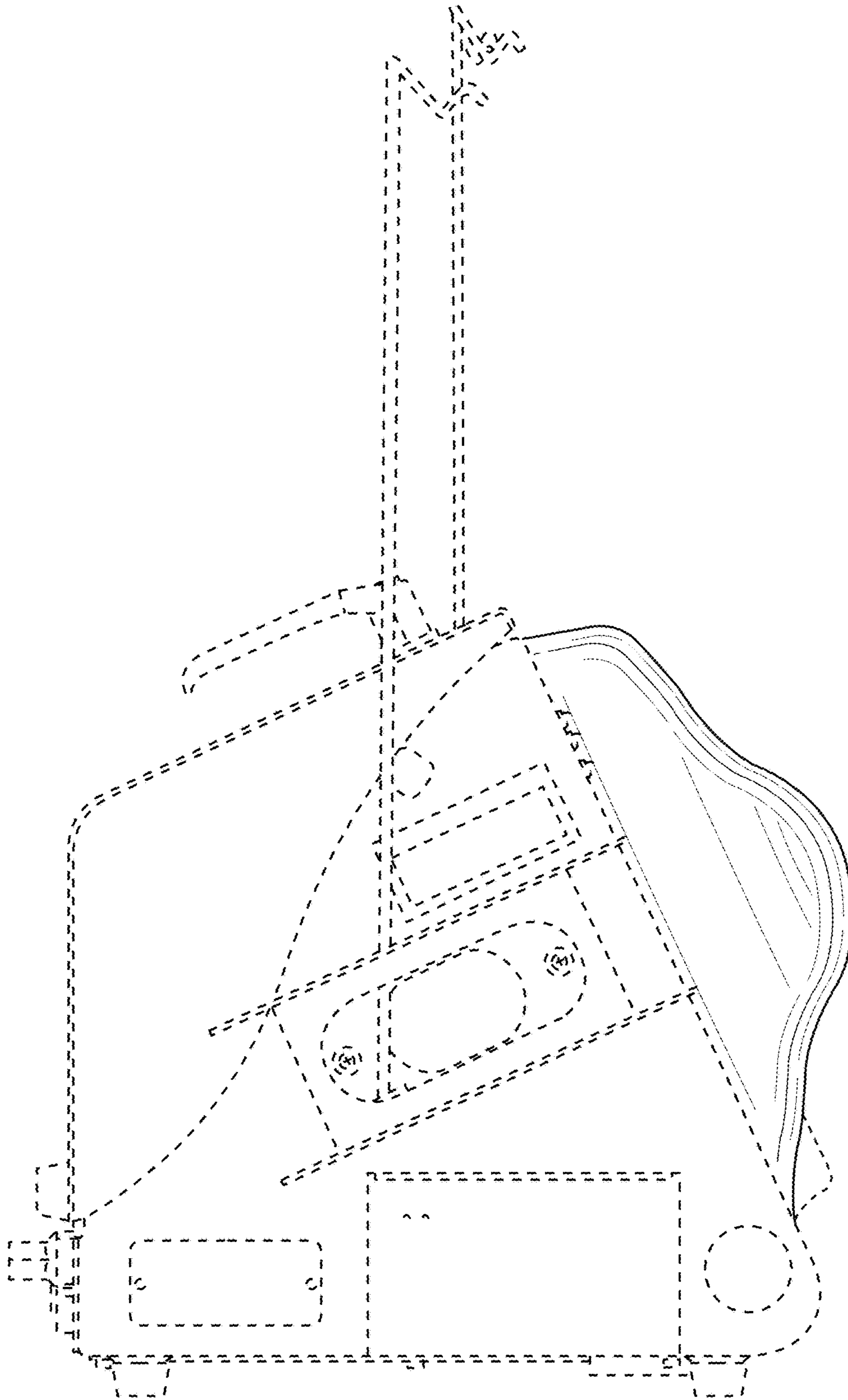


FIG. 6



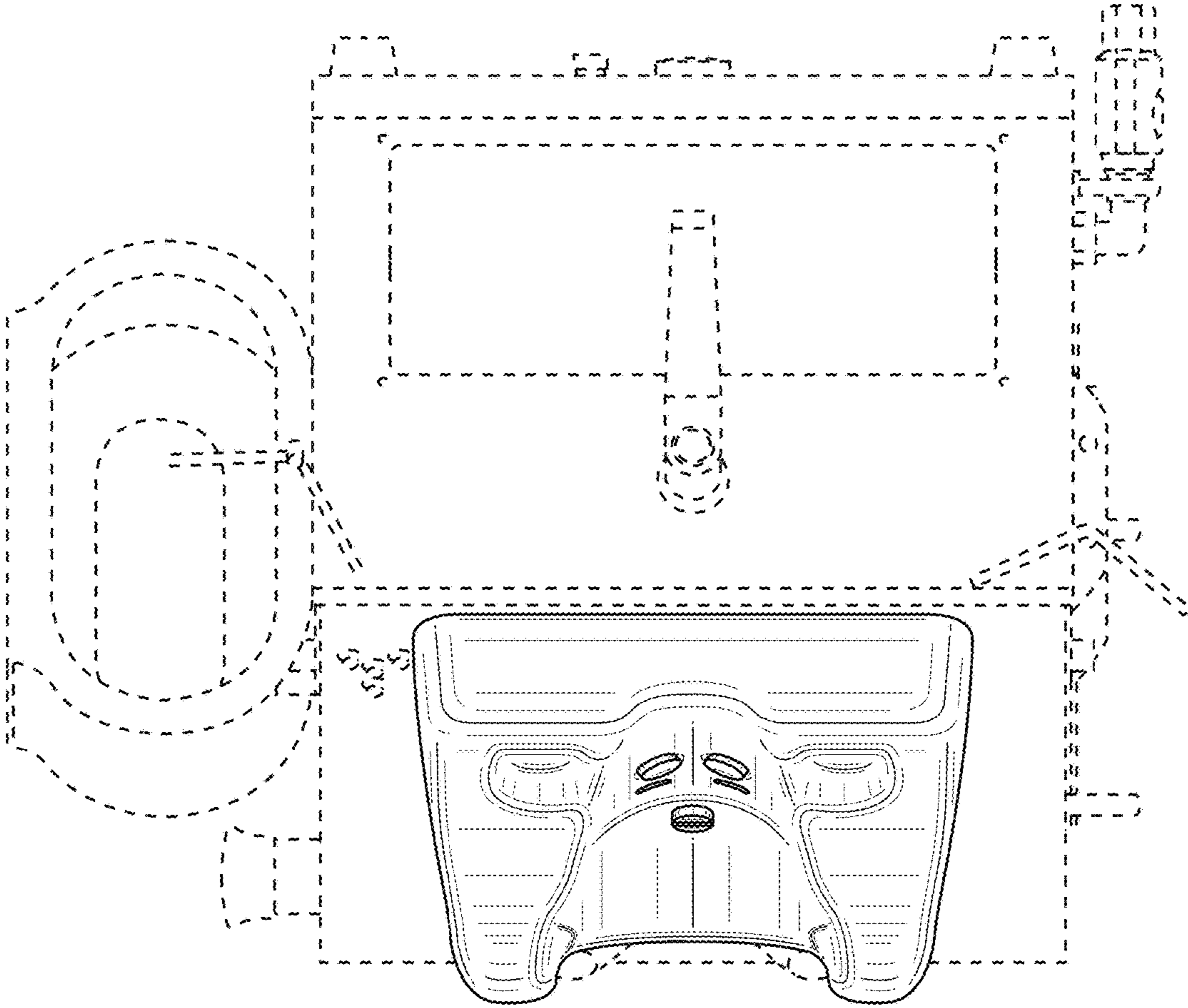


FIG. 7

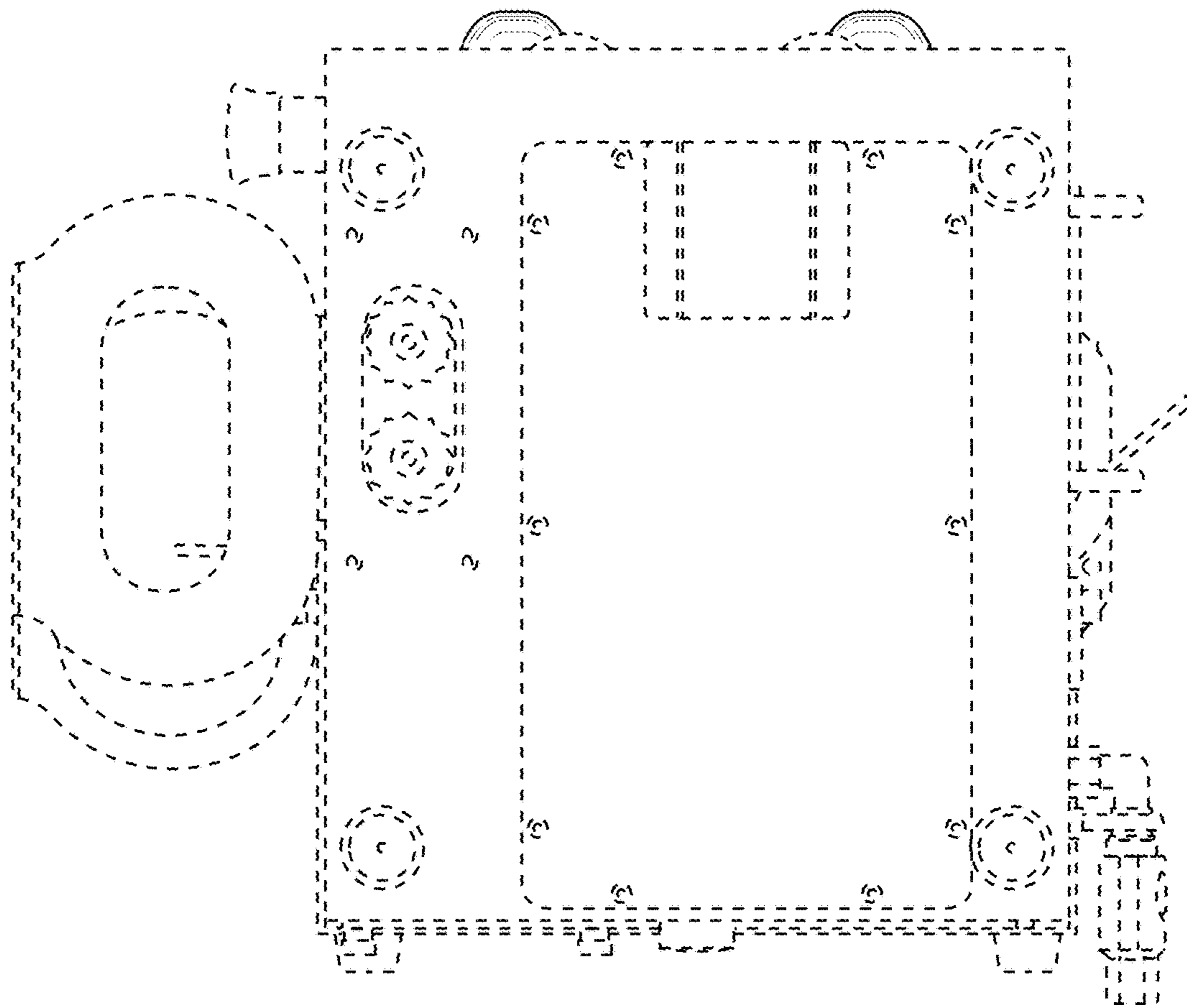


FIG. 8